

### INFINITY GLOW™ UNDERGLOW PARTS LIST

- 2 x 60" Aluminum Infinity Glow™ LED strip (Sides)
- 2 x 36" Aluminum Infinity Glow™ LED strip (Front & Rear)
- 1 x 10ft Extension cable (Rear only)
- 3 x 6ft Extension cable
- 10 x Aluminum mounting brackets
- 10 x Self Tapping screws
- 8 x Self Tapping Screws



## ATTENTION



Please follow the guidelines below before installing your kit.

### TESTING THE INFINITY GLOW™ ALUMINUM STRIPS

1. Before installing please connect all aluminum LED strips to the 4 connector driver included in your kit
2. Once you have connected all strips. With an external 12V power source, connect the Red wire (power) and black wire (ground) and fully test and make sure all aluminum strips are working properly.

### BEFORE MOUNTING THE STRIPS

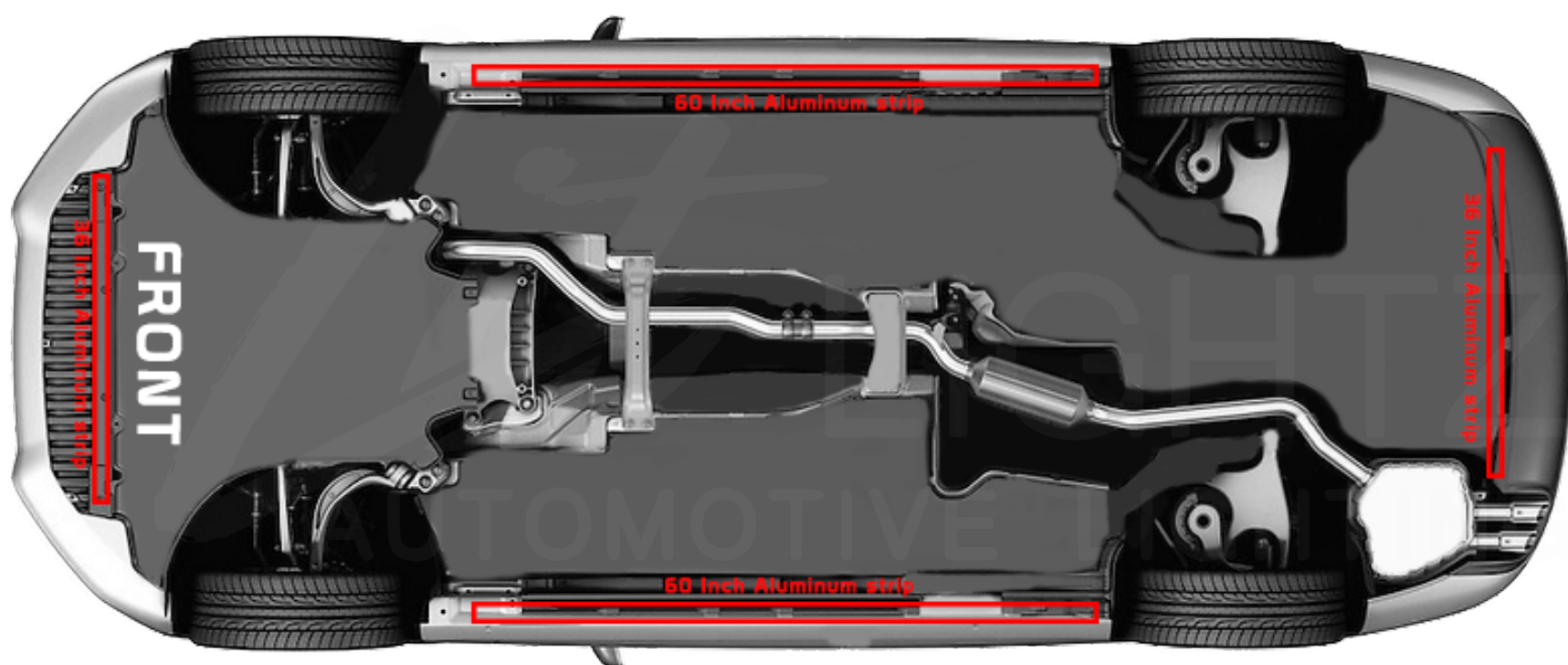
1. Make sure you properly clean the mounting area with rubbing alcohol or non-residue degreaser.
2. Allow to air dry for and give a final wipe down with a clean microfiber.

## MOUNTING THE ALUMINUM STRIPS

You have 2 options to mount the Infinity Glow™ underglow kit. These options are general guidelines. Every car or truck is different. Please make the necessary adjustments if needed.

### OPTION 1: MOUNTING THE LED STRIPS WITH THE ALUMINUM BRACKETS

- Start by measuring the mounting area. Once you have the area aligned, mount the brackets with the small screws provided. You will use 2 brackets for the front & rear and 3 brackets for each side.
- Make sure you wipe down the surface with degreaser, let it air dry before applying the strip.
- Once you have the brackets set, remove the 3M adhesive tape from the back of the LED strip and start to mount it. Hold down the full LED strip for 90 seconds so the 3M can attach to the surface.
- Using 2 self-tapping screws, drill each end of the strip. Repeat each step for every side.



*\*Note\* For the aluminum brackets to hold the aluminum strip, the brackets will need to be clip to the 2-second row on the side of the aluminum strip. You will hear it clip if you mounted them correctly. Depending on the vehicle, you may or may not have a flat surface on the rear of the car. If this is the case, please mount the LED strip using zip ties and the 3M tape on the back of the strip.*

## OPTION 2: MOUNTING THE LED STRIP USING THE 3M

- You will mount the aluminum strips using the 3M adhesive tape and 2 self-tapping screws (1 for each end)

### RUNNING EXTENSION CABLES

- Once you've mounted all the LED strips, you will need to run the extension cables to the engine bay. Make sure when running the cables, you don't zip tie them to the exhaust or any surface that might release heat.
- Do not leave any loose cables and always use proper cable management when routing cables through the engine bay and underbody.

### CONNECTING TO BATTERY

- By this point, you should have all four extension cables on the engine bay. Locate the four connector driver and connect each cable to one of the connectors on the harness. Please make sure every connection is connected the proper way.
- The driver will come with 1 red wire (power) and 1 black wire (ground) Start by locating a place in the engine bay to add the ground wire. Once your ground terminal is secured, located the red wire and connect it to the battery.

### APP SETTINGS

- Download LED Hue from Play Store or App Store
- Open app and scan for available devices, search for "litlightz" or "SP110E"
- Set settings to the following: RGB SK6812, Pixels:150



## DISCLAIMER

*Please refer to local and state laws for the proper use of this product! Improper installation of electrical products such as lighting could cause damage to a vehicle's electrical system or connected devices. Practice extreme caution and follow all established safety procedures. This product could require the handling of high voltage wiring. Electricity could cause injury or death. Professional installation is recommended. Lit Lightz will not be held responsible for any damage or cost whether direct or indirect incurred by the consumer in relation to any Lit Lightz Product. Lit Lightz reserves the right to alter or amend any portion of the aforementioned disclaimer.*