



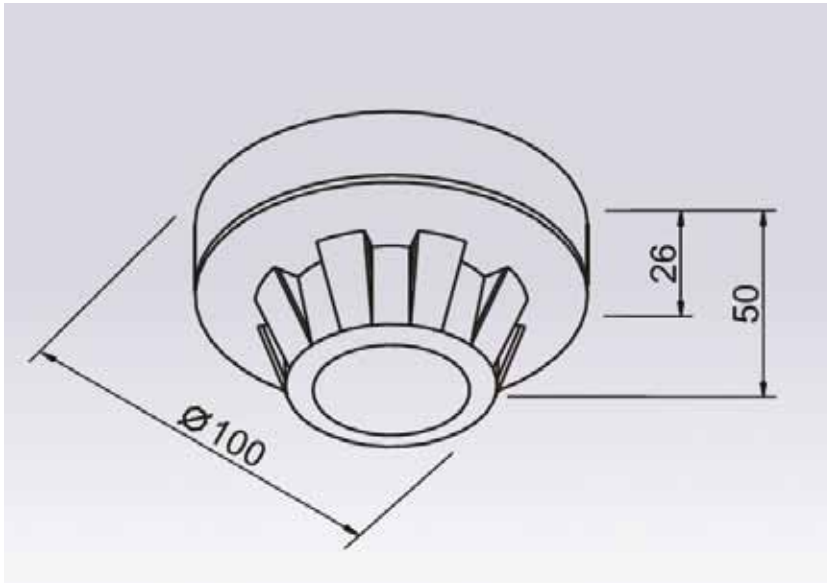
Technical file

Temperature detector for Skycom[®] CE central detection unit



Technical file

Temperature detector for Skycom® CE central detection unit



■ Product description:

The external temperature detector will early detect a temperature increase > 75°C to bring the Skycom® CE master central detection unit into alarm position, which will open the SHE system. This detector must always be installed horizontally at the underside of the finished roof.

■ Characteristics:

Type detector:	warmth sensor
Sizes:	Ø 100 mm
Colour:	white
IP class:	IP22
Tension:	24V DC
Use temperature:	-20 °C to 90 °C
Power consumption in rest position :	0,1 mA

For more information concerning the connexion, please consult the Skycom® CE installation instructions.

AG.Plastics nv | Spinnerijstraat 100 | B-8530 Stasegem | info@agplastics.com | www.agplastics.com