

Smoke detector for central detection unit Skycom[®] CE



Technical file

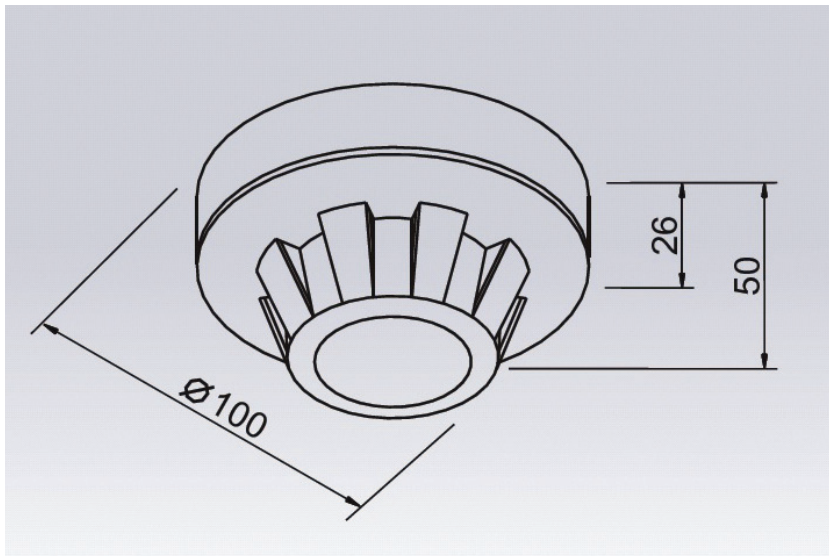
Smoke detector for central detection unit Skycom® CE

■ Product description smoke detector:

The external smoke detector is specially developed for a Skycom® CE central detection unit, used for the functioning of the smoke - and heat extraction systems (SHE) of AG.Plastics. In case smoke is detected, the smoke detector will alarm the central detection unit Skycom® CE, which will open the SHE system. This detector must always be mounted horizontally at the bottom side of the finished roof.

■ Characteristics:

Detector:	optical through photodiode
Sizes:	Ø 100 mm
Colour:	white (RAL 9003)
Tension:	24V DC
Use temperature:	-20 °C until 60 °C



For more information concerning the connection, consult the Skycom® CE installation instructions.