



TECHNICAL FILE

Skylux[®]

Priority switch for central detection unit Skycom[®] CE


SKYLUX
Hello daylight!



Features

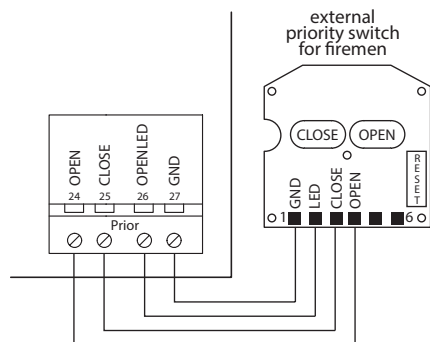
- LED indication: open / close (blue)
- Size: 125 mm x 125 mm x 36 mm (w x h x d)
- Colour: red
- IP40
- Consumption on error: 1 mA

General product description

The priority switch is a switch specially developed for a Skycom® CE central detection unit, which is used to operate smoke and heat extraction systems of Skylux. It always has highest priority in the system. Through this switch it is possible to open or close the SHE hatches regardless of the alarm status (e.g. by the firemen).

The installation of this switch is necessary when the Skycom® CE central detection unit cannot be installed in the hall of the building, for any reason. The priority switch can be installed in the hall, in order to allow the firemen to operate the SHE system. In that case, the Skycom® CE central detection unit can be installed in the technical room.

Wiring diagram



For more information concerning the connection, consult the Skycom® CE installation instructions.
 Only use original parts delivered by Skylux. Every guarantee is cancelled if non-original parts are used.
 The SHE detection unit must be used with the right SHE opening system.
 The use of non-original SHE parts can lead to defects of the system.

SKYLUX NV
 SPINNERIJSTRAAT 100 - B-8530 STASEGEM
 T +32 (0)56 20 00 00 - F +32 (0)56 21 95 99
 INFO@SKYLUX.BE
 WWW.SKYLUX.EU

