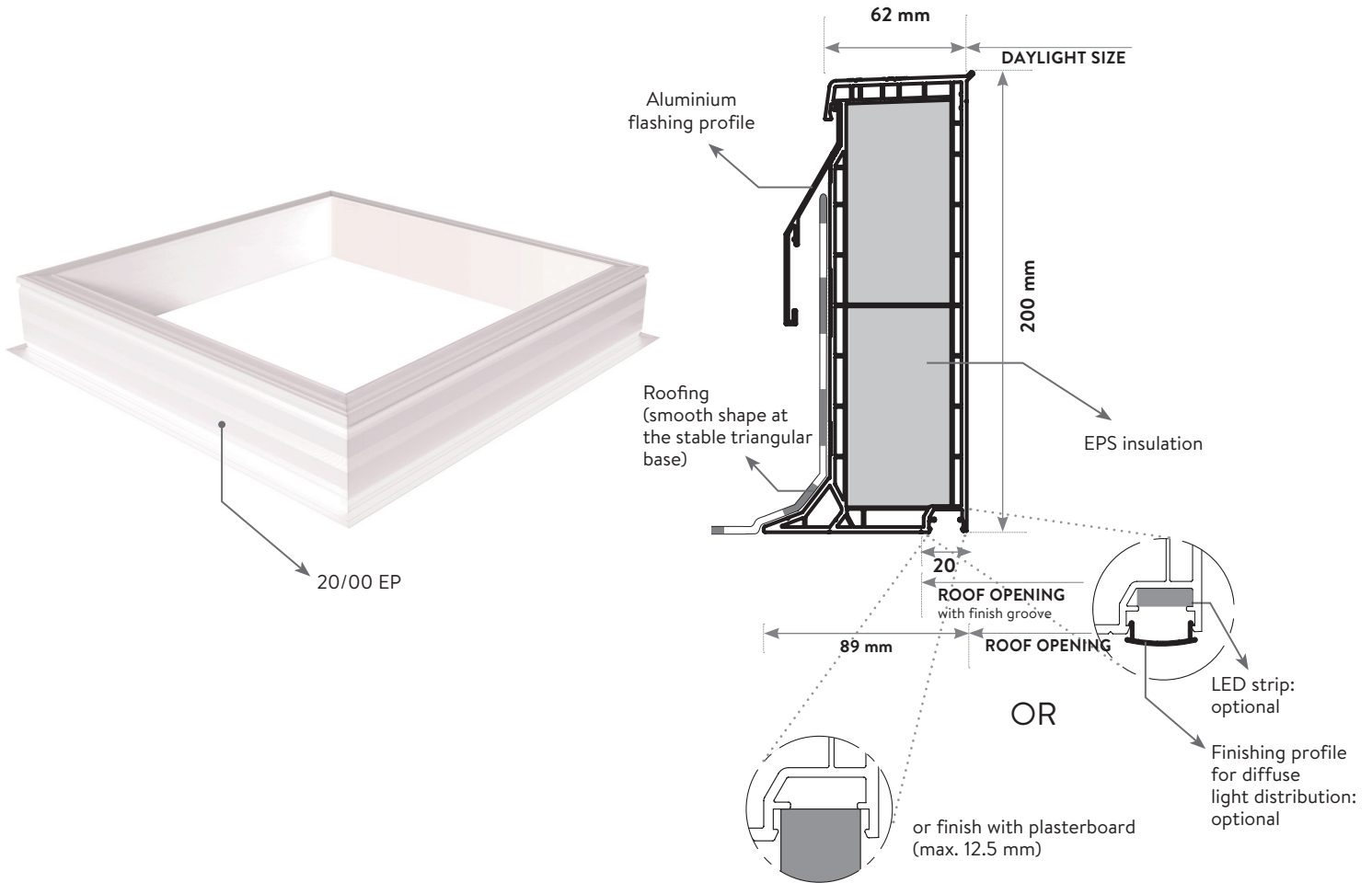


TECHNICAL FILE

Skylux[®]

PVC curb 20/00 EP, 40/00 EP, 60/00 EP





General product description

The Skylux® skylight curbs **20/00 EP** (with bottom flange) and **20/00 EP-S** (without bottom flange and stackable) with EPS filling are **super insulating**. They consist of white extruded polyvinylchloride profiles of resistant frame quality and are completely insulated with EPS, which explains their exceptionally low U-value. They are also suited for different types of roofing membranes to weld on. The inside has a smooth finish and does not need extra treatment after installation.

The curb has a **U-formed groove** at the bottom **for the inside finish** with a (plasterboard) sheet of 12.5 mm or smaller. The same groove can also be used to install the LED lights (optional). The roof opening for the inside finish = daylight size + 40 mm.

The 20/00 EP curb allows for an **easy installation**:

The bottom of the curb has a **stable triangular base shape** that enables a smooth shape and application of the roofing. By default, the 20/00 EP curb is provided with an uncoated anodised aluminium profile (**flashing profile**) with 4 plastic (ASA) corner pieces and is attached with stainless steel self-tapping screws with Nyplas washer, depending on the dimensions of the curb. The curb allows you to easily pull up the roofing (until the yellow marking line in combination with flashing profiles) for a correct finish.

A **40/00 EP** or **60/00 EP** curb is also possible for a combination **with an even thicker roof insulation**. In this case, one or more stackable 20/00 EP-S curbs are installed on a 20/00 EP base curb.

This curb has a CE label according to EN 1873:2014+A1:2016 in combination with a Skylux® skylight.

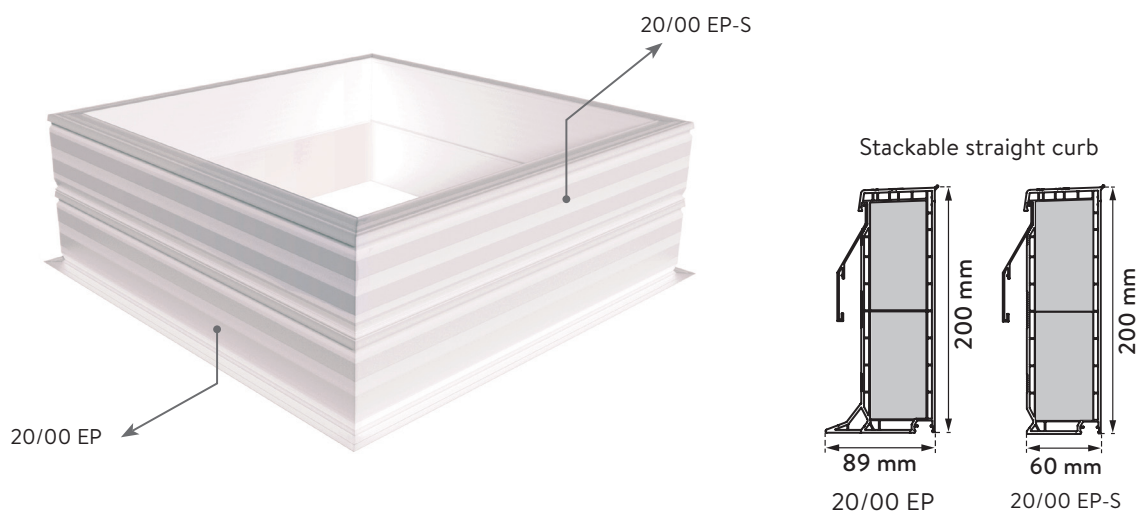
Features

- Sleek design
- Stable, also thanks to the triangular base
- **Easy installation:**
 - The stable triangular base shape allows for a smooth shape and application of the pulled-up roofing.
 - Yellow marking line as indication of where the roofing should be pulled up to, for combination with matching aluminium flashing profiles.
- Finish groove below for an aesthetic and seamless ceiling finish
- Exceptionally low U_{up}-value (insulation value) = 0.64 W/m²K
- **Stackable model 20/00 EP-S also available** for the desired skylight curb height, also up to **40/00 EP** or **60/00 EP** curb.

40/00 EP or 60/00 EP curb, by stackable 20/00 EP-S PVC curb

If you choose a **stackable PVC curb 20/00 EP-S**, you will get a similar curb as the 20/00 EP, but then without the bottom flange. This enables you to stack a limited amount of curbs to reach the **desired height (per 20 cm)**, which is perfect for a combination with thick roof insulation. At the bottom, there is always a PVC curb 20/00 EP with bottom flange, on which the following 20/00 EP-S curbs are stacked and screwed with a defined mounting set. The **40/00 EP curb is 40 cm high** and consists of a 20/00 EP with a 20/00 EP-S screwed on top. A **60/00 EP curb is also possible, with a height of 60 cm**. This curb consists of a 20/00 EP curb with two stackable 20/00 EP-S curbs screwed on top.

The roofing is always pulled up to the top of the stacked curb, the corresponding flashing profiles are applied to the top curb.

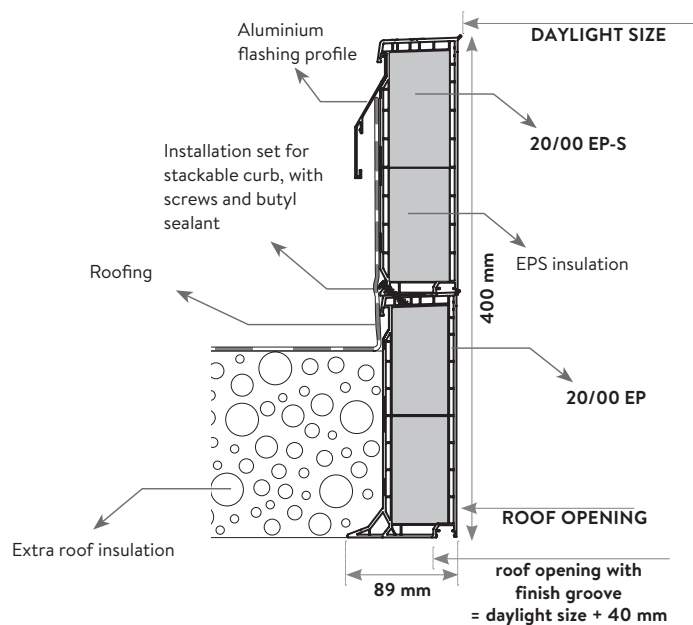


Specific characteristics

Mechanical properties	uPvc impact-resistant frame quality, white
Thermal properties	PVC with insulation
EN 10077-2:2012	U_{up} -value* 0.64 W/m ² .K (insulation EPS separate with $\lambda = 0.035$ W/m ² .K)
Dimensions	Thickness: 60 mm (with flange below: 89 mm) Height: 200 mm Roof opening: daylight size or daylight size + (2x20mm) if the finish groove is used
Density	PVC: 1500 kg/m ³ (insulation EPS: 28 kg/m ³)

* U_{up} : U-value (upstand) or insulation value of the curb according to EN 1873:2014+A1:2016 and determined with EN 10077-2:2012

Technical drawings: 40/00 EP



Attesten en certificaten

- CE according to EN 1873:2014+A1:2016 in combination with a Skylux® skylight



SKYLUX NV
SPINNERIJSTRAAT 100
B-8530 STASEGEM
T +32 (0)56 20 00 00
INFO@SKYLUX.BE
WWW.SKYLUX.EU

Fire certificate

- Fire safety certificate E (EN 11.925-2)

