

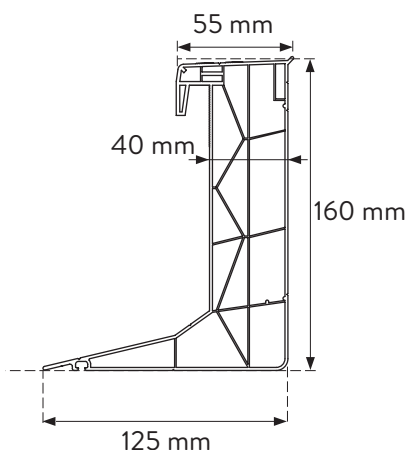
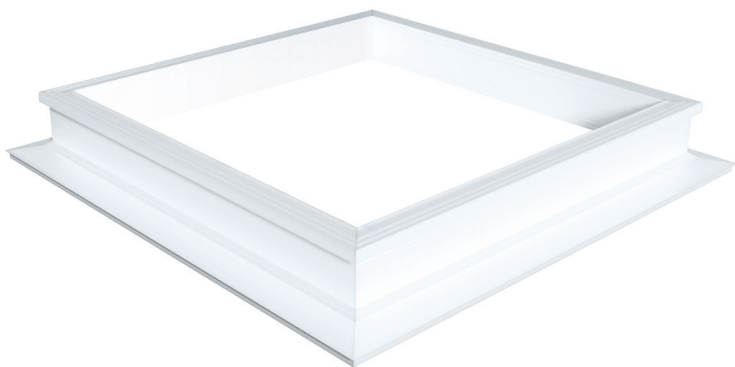


TECHNICAL FILE

# Skylux<sup>®</sup>

PVC curb 16/00

  
*Hello daylight!*



## General product description

The Skylux® 16/00 curbs consist of white extruded polyvinylchloride profiles of resistant frame quality. They are 4-walled and can be used as raised curb, renovation curb or new curb. Several systems can be fixed in or on the curb (in-built ventilation grid).

Different types of roofing membranes can be welded on the curb. The inner side is smooth and doesn't need an extra treatment after placing the curb. The curb is equipped for the installation of brackets and hinges.

This curb has the CE label according to EN 1873:2014+A1:2016 in combination with a Skylux® dome.

Skylux® PVC curbs are suitable for combinations with plastic or hybrid skylights or flat roof windows (only the PVC 16/00 cannot be combined with hybrid skylights and/or flat roof windows).

## Specific characteristics

Mechanic characteristics	PVCu of type Benvic S white
Thermal characteristics EN ISO 12567-2	$U_{up}$ * value 1.00 W/m <sup>2</sup> .K
Dimensions	Sheet thickness: 40 mm Height: 160 mm Roof opening size = daylight size
Density	1500 kg/m <sup>3</sup>

\*  $U_{up}$  :  $U$  (upstand) or insulation value of the curb according to EN 1873:2014+A1:2016 determined in accordance with EN ISO 12567-2

## Attestations and certificates

- CE according to EN 1873:2014+A1:2016 in combination with a Skylux® dome
- This dome curb is part of the CE certification of the smoke and heat extraction systems Skymax® CE and Skylux® 160° CE according to EN 12.101-2



EN 1873:2014+A1:2016

## Fire reports

- Fire class M1
- Fire class E (EN 11.925-2)

SKYLUX NV  
SPINNERIJSTRAAT 100 - B-8530 STASEGEM  
T +32 (0)56 20 00 00 - F +32 (0)56 21 95 99  
INFO@SKYLUX.BE  
WWW.SKYLUX.BE

