

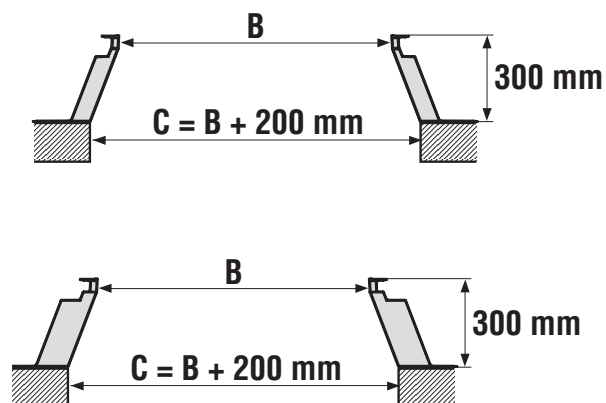


TECHNICAL FILE

Skylux[®]

Polyester curb EP

SKYLUX
Hello daylight!



General product description

The Skylux® dome curb consists of white glass fibre reinforced polyester resins and is equipped with additional thermal insulation. It's double-walled and insulated with 60 mm or 100 mm PUR. Different types of roof membranes can be welded on the curb. The inside received a smooth finish by means of a gelcoat and doesn't need any extra treatment after mounting the curb. The curb is developed to be combined with Skylux® products and is equipped for the installation of brackets and hinges to guarantee the waterproofness and the wind and snow load. This curb has the CE label according to EN 1873:2014+A1:2016 in combination with a Skylux® dome.

Specific characteristics

Mechanical characteristics	Shock resistance: 55 KJ/m ² according to (DIN 53453)
Thermal characteristics	U _{up} * value: PO30 EP60 0.35 W/m ² K PO30 EP100 0.23 W/m ² K
Chemical characteristics	Resistant to most acids and bases stipulated on a temperature of 80°C.
Fire attestation	E
Sizes	Height 30 cm other heights on request
Density	1400 to 1600 kg/m ³ at 20°C
Water absorption	0 %

* U_{up} : U value (upstand) or insulation value of the curb according to EN 1873:2014+A1:2016 and determined in accordance with EN 10077-2:2012

Attestations and certificates

- CE according to EN 1873:2014+A1:2016 in combination with a Skylux® dome

Fire reports

- Fire attestation E according to EN 13501-1:2007+A1:2009

SKYLUX IS A REGISTERED BRAND OF AG.PLASTICS
SPINNERIJSTRAAT 100 - B-8530 STASEGEM
T +32 (0)56 20 00 00 - F +32 (0)56 21 95 99
INFO@SKYLUX.BE
WWW.SKYLUX.BE

