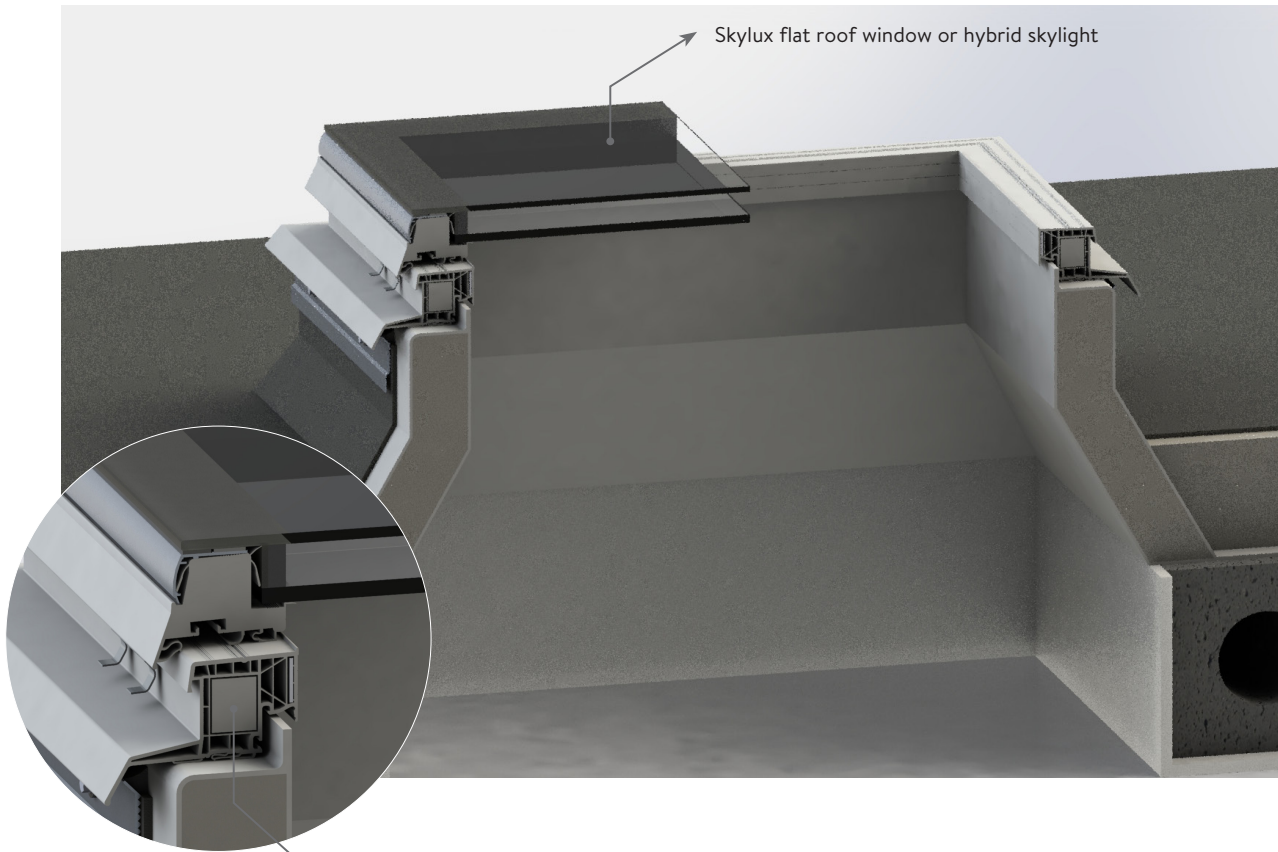


TECHNICAL FILE

Skylux[®]

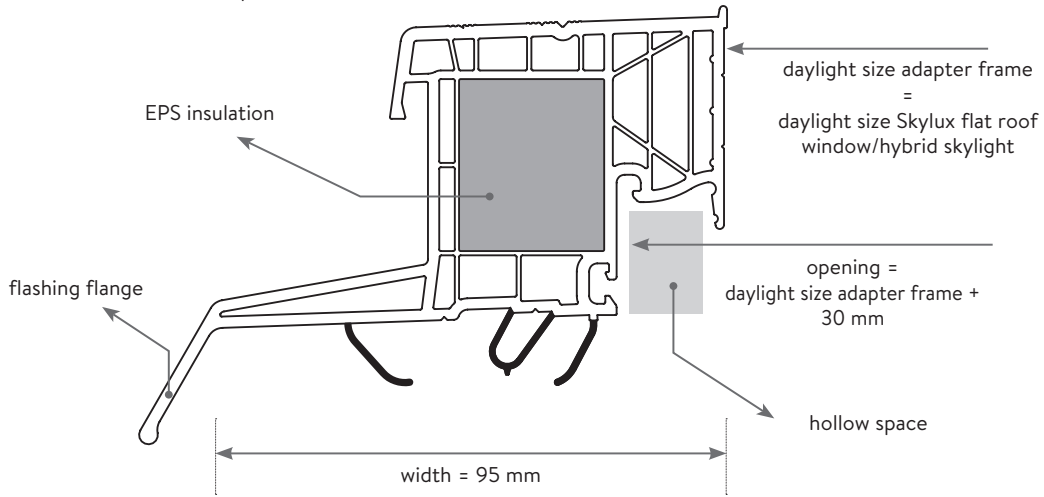
Adapter frame



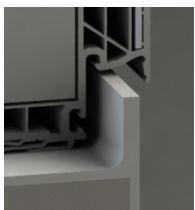


Skylux flat roof window or hybrid skylight

adapter frame

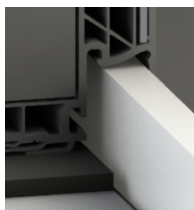


Hollow space:



over drip edge of existing curb

OR



finish groove

OR



cable trunking

General product description

The adapter frame is a solid, well insulating intermediate frame and offers many **combination possibilities** for flat roof windows and (hybrid) skylights **on skylight curbs made of different materials and/or with staggered daylight sizes**. It is also suited for partial renovations. The frame is made of white extruded polyvinyl chloride profiles of impact-resistant frame quality and is insulated with EPS.

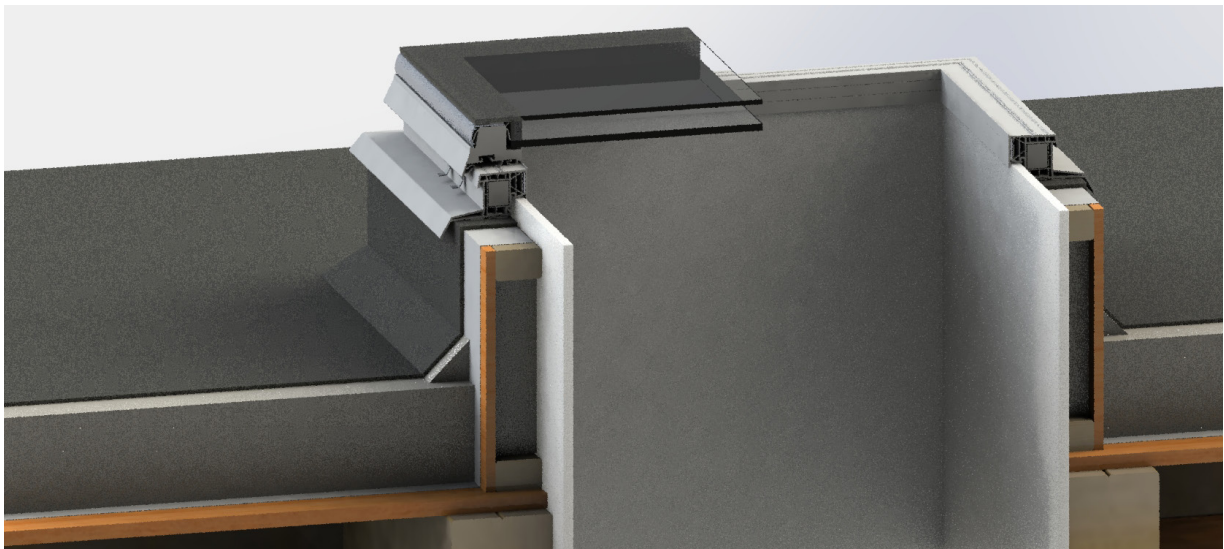
The ordering size of the adapter frame is the same as the daylight size of the iWindow2 or iWindow3 flat roof window or the iDome hybrid skylight. The base of the adapter profile is **wider** than a standard frame or curb flange and it also has a **hollow space on the inside for finishing purposes**. It allows for a perfect match **on existing curbs with a staggered daylight size and/or a drip edge**.

The adapter profile also has a protruding **flashing flange** and **seals** below that ensure an **excellent air- and watertightness**. It enables the installation of a Skylux flat roof window or (hybrid) skylight **on a narrow or wide wooden curb** with a minimum height of 150 mm.

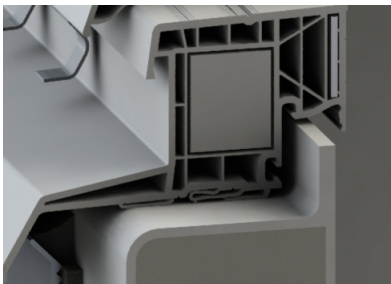
The adapter frame is **easily installed by screwing** it onto an existing curb with pulled up roofing, so **you do not have to pull up any extra roofing**. Once the frame is installed, both fixed and openable models of Skylux flat roof windows or hybrid skylights can be installed or clipped on the frame. Even the stand-alone electric interior screen can be installed as an accessory in the daylight size of the adapter frame.

For certain curbs, the hollow space of the adapter frame can be used as a **finish groove** when finishing the inside with (plasterboard) sheets. Or the hollow space can be used as **cable trunking** for the electric cables and then finished with the matching L-shaped white cover profiles.

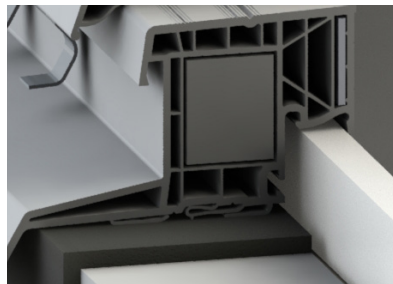
The adapter frame has a CE label according to EN 1873:2014+A1:2016 in combination with a Skylux® skylight.



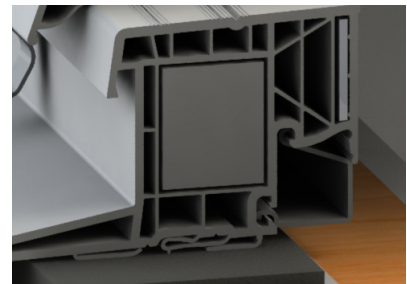
Adapter frame fits:



e.g. on non-Skylux polyester curb with slightly larger daylight size and drip edge



e.g. on wooden curb and use of finish groove



e.g. on wider wooden curb and smaller daylight size / roof opening

Features

- perfect for partial renovations
- **Skylux flat roof window / hybrid skylight will fit on even more curb types:**
 - on polyester curbs with equal or staggered daylight size and drip edge, if any
 - on narrow or wide wooden curbs (height min. 150 mm), with equal or staggered daylight size
 - ...
- easy installation:
 - **direct installation, onto the already installed curb** (and saves costs for breaking out and renewing the curb and roofing)
 - fixation with screws
 - no need to pull up extra roofing to the adapter frame
- good insulation
- good technical performances: wide and stable, airtight, watertight
- finish possibilities on visible inside: finish groove for plasterboard sheets, or cable trunking in combination with cover profile
- match with accessories: electric interior screen, ...

Specific characteristics: PVC adapter frame

Mechanical characteristics	PVC – impact-resistant frame quality, white
Thermal characteristics	PVC with insulation:
EN 10077-2:2012	Ue-value* 0.78 W/m ² .K (insulation EPS separate with $\lambda = 0.035$ W/m ² .K)
Dimensions	thickness: 60 mm width below: 95 mm height: 55 mm
Density:.....	PVC: 1500 kg/m ³ (isolatie EPS: 28 kg/m ³)

*Ue: U-value (edge) or insulation value of the frame according to EN 1873:2014+A1:2016 and determined with EN 10077-2:2012

Specific characteristics: assembled unit

*** Urc-value Skylux iWindow / iDome with adapter frame and curb (W/m ² K)						
Type iWindow	iWindow2		iWindow3		iDome + skylight of choice	
PVC frame	Low frame	High frame	Low frame	High frame	Low frame	High frame
With adapter frame						
Curb type:						
PVC 16/20 EP	1.1	0.95	0.88	0.74
PVC 20/00 EP	1.01	0.87	0.79	0.67
PVC 40/00 EP	0.91	0.81	0.74	0.66
PVC 30/20	1.11	0.98	0.93	0.81
PVC 35/30	1.03	0.92	0.87	0.77
Polyester 15/20	1.09	0.93	0.86	0.72
Polyester 30/20	1.02	0.91	0.85	0.74
Polyester 50/20	0.97	0.88	0.86	0.74
Polyester 30/00	1.03	0.91	0.85	0.73
Polyester 50/00	0.98	0.89	0.84	0.75
Other curbs of polyester, or wood,

See also U-value calculation programme;
also for variants where extra roof insulation is provided on the outer side of the curb.

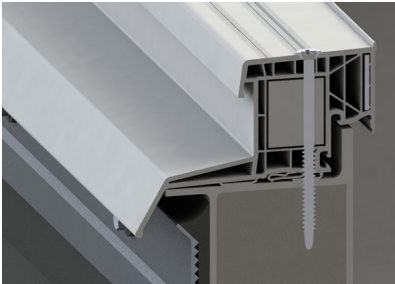
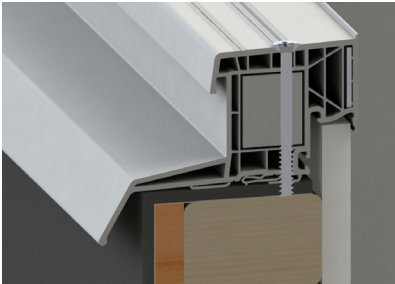
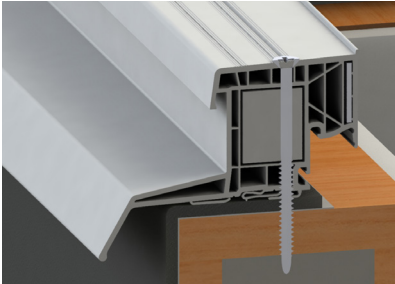
*** Urc = U-value of the whole unit (= glass, frame, adapter frame and curb), determined for daylight size 100 x 100 cm, according to EN 1873:2014+A1:2016

Available daylight sizes and possibilities

The ordering size of the adapter frame is the same as the daylight size of the Skylux flat roof window iWindow2 / iWindow3 or the Skylux hybrid skylight iDome.

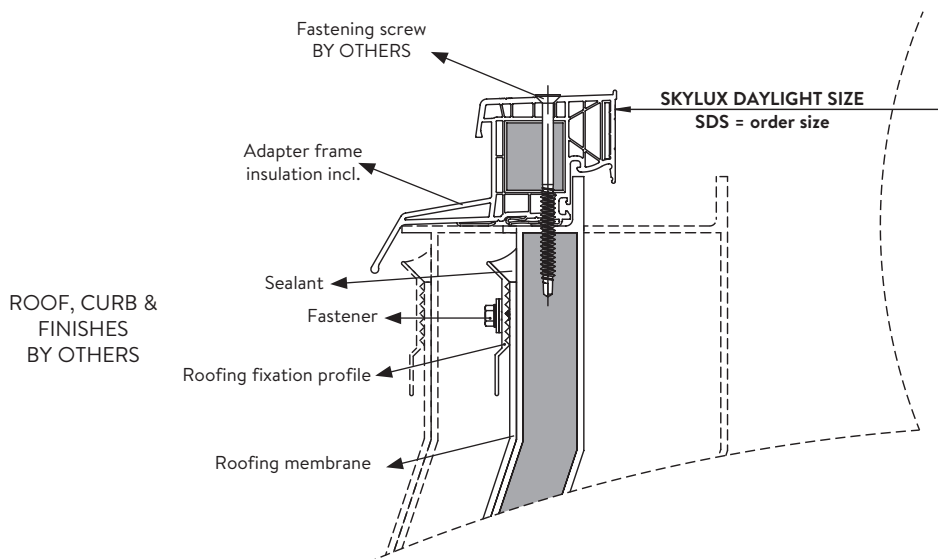
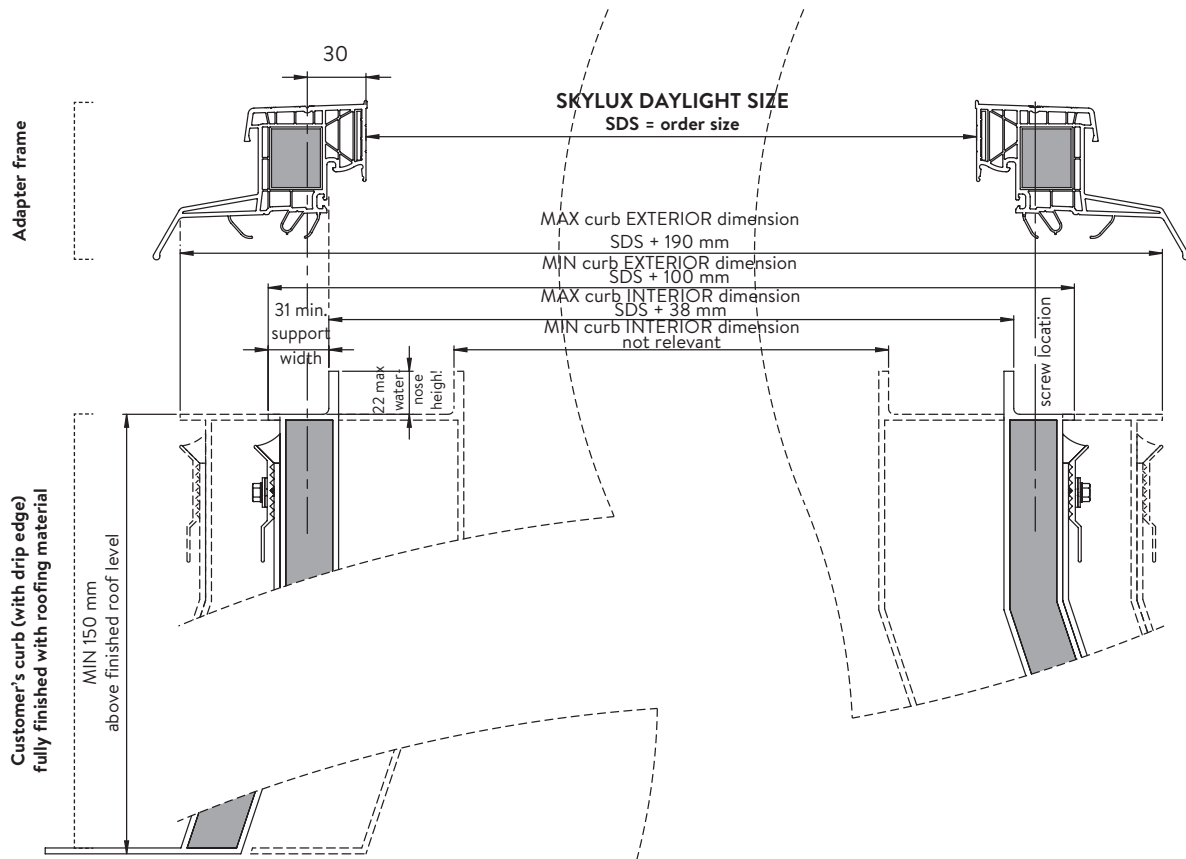
Example:

With an **adapter frame of 1000 x 1000 mm**, a Skylux flat roof window iWindow2 / iWindow3 or hybrid skylight iDome with daylight size 1000 x 1000 mm fits on the following curbs:

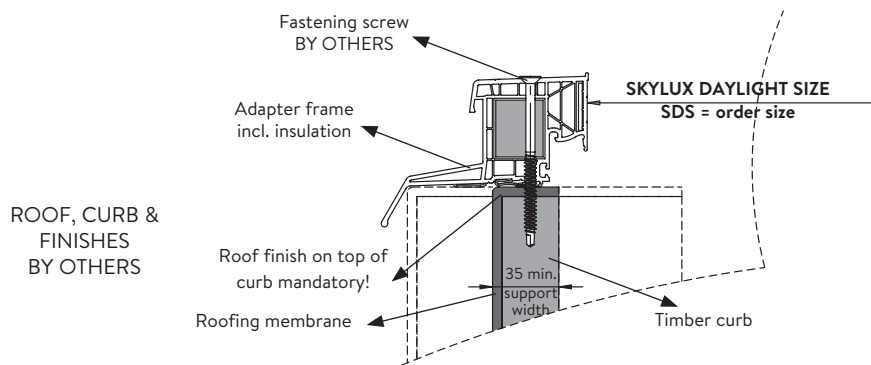
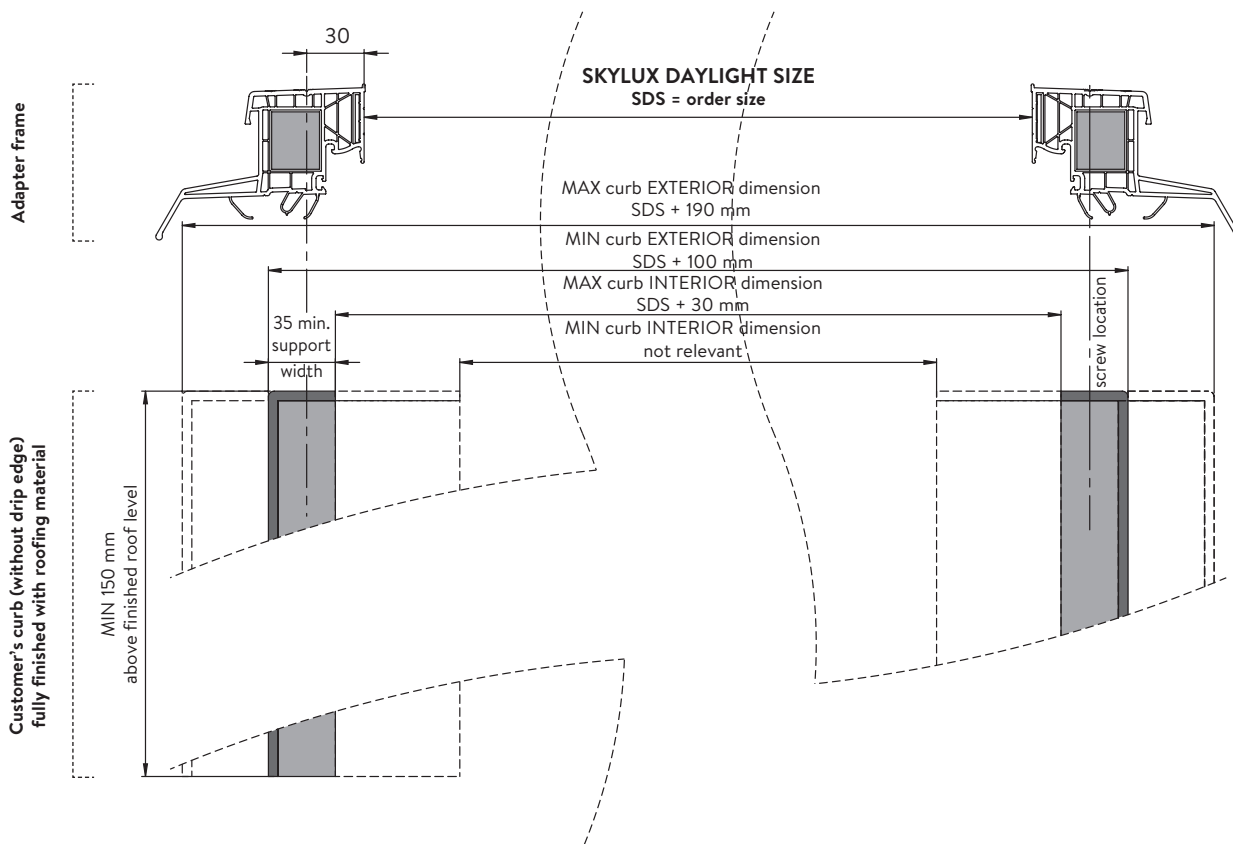
	Curb with drip edge (e.g. polyester, ...)		Curb without drip edge (e.g. wood, ...)	
	Min.	Max.	Min.	Max.
TECHNICAL RANGE:				
Width drip edge	2 mm	-	-	-
Height drip edge	2 mm	22 mm	-	-
Overall size of outer side of curb (roofing incl.)	1100 mm	1190 mm	1100 mm	1190 mm
Inside dimension of curb	-	1038 mm (over the drip edge)	-	1030 mm
Width of bearing surface (roofing incl.)	31 mm	-	35 mm	-
EXAMPLE MATCH with:	Match with non-Skylux polyester curb with staggered daylight size of e.g. 1020 x 1020 mm		Match with wooden curb with width e.g. 70 mm + roofing, and use of finish groove	
				
			Match with wider wooden curbs, e.g. 100 mm and smaller daylight size / roof opening	
				

Technical drawings

- Adapter frame on a non-Skylux curb with drip edge and/or staggered daylight size:



- Adapter frame on a narrow or wide wooden curb, without drip edge:



Attestations, certificates and documentation

- CE according to EN 1873:2014+A1:2016 in combination with a Skylux skylight
- Fire certificate E (EN 11.925-2)

SKYLUX NV
SPINNERIJSTRAAT 100 - B-8530 STASEGEM
T +32 (0)56 20 00 00 - F +32 (0)56 21 95 99
INFO@SKYLUX.BE
WWW.SKYLUX.EU

