

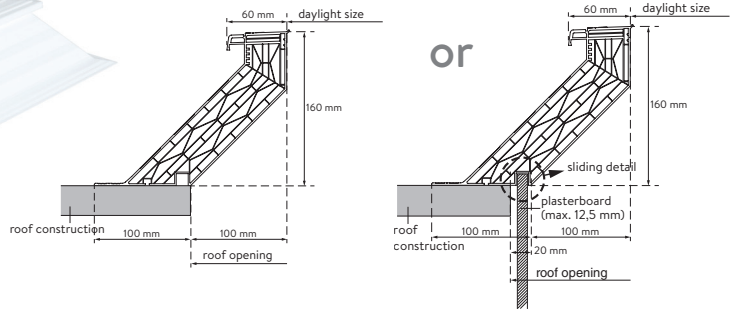
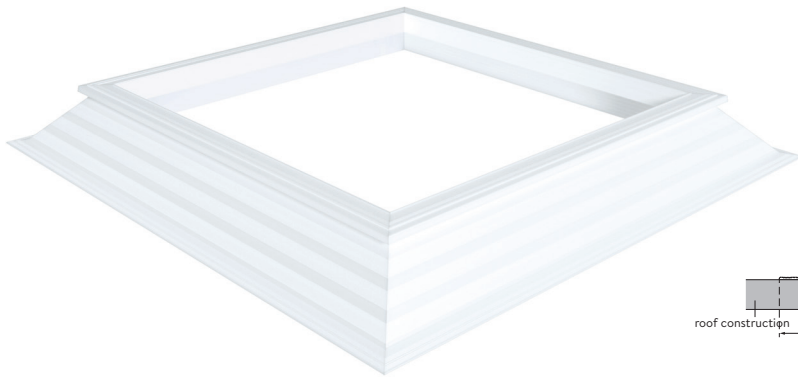


TECHNICAL FILE

Skylux[®]

PVC curb 16/20 EP


Hello daylight!



General product description

The Skylux® curbs consist of white extruded polyvinylchloride profiles of resistant frame quality. They are nine-walled and have a x-structure, which make them very solid and super insulating. Different types of roofing membranes can be welded on the curbs. The inner side is smooth and does not need an extra treatment after placing the curb.

The curb has a U-formed groove at the bottom for the inside finish with a (plaster)board of 12.5 mm.

The roof opening for the inside finish = daylight size + 240 mm.

This curb has the CE label according to N 1873:2014+A1:2016 in combination with a Skylux® dome.

Specific characteristics

Mechanical characteristics	PVC of type Benvic S white
Thermal characteristics	U_{up} * value 0.89 W/m ² .K
	EN 10077-2:2012
Dimensions	Thickness: 50 mm
	Height: 160 mm
	Roof opening size: daylight size + (2x100) mm
	or daylight size + (2x120) mm
	if the sliding detail is used
Density	1500 kg/m ³

* U_{up} : U value (upstand) or insulation value of the curb according to EN 1873:2014+A1:2016 determined in accordance with EN 10077-2:2012

Attestations and certificates

- CE according to EN 1873:2014+A1:2016 in combination with a Skylux® dome



EN 1873:2014+A1:2016

Fire reports

- Fire class M1
- Fire class E (EN 11.925-2)

SKYLUX
SPINNERIJSTRAAT 100 - B-8530 STASEGEM
T +32 (0)56 20 00 00
INFO@SKYLUX.BE
WWW.SKYLUX.EU

