

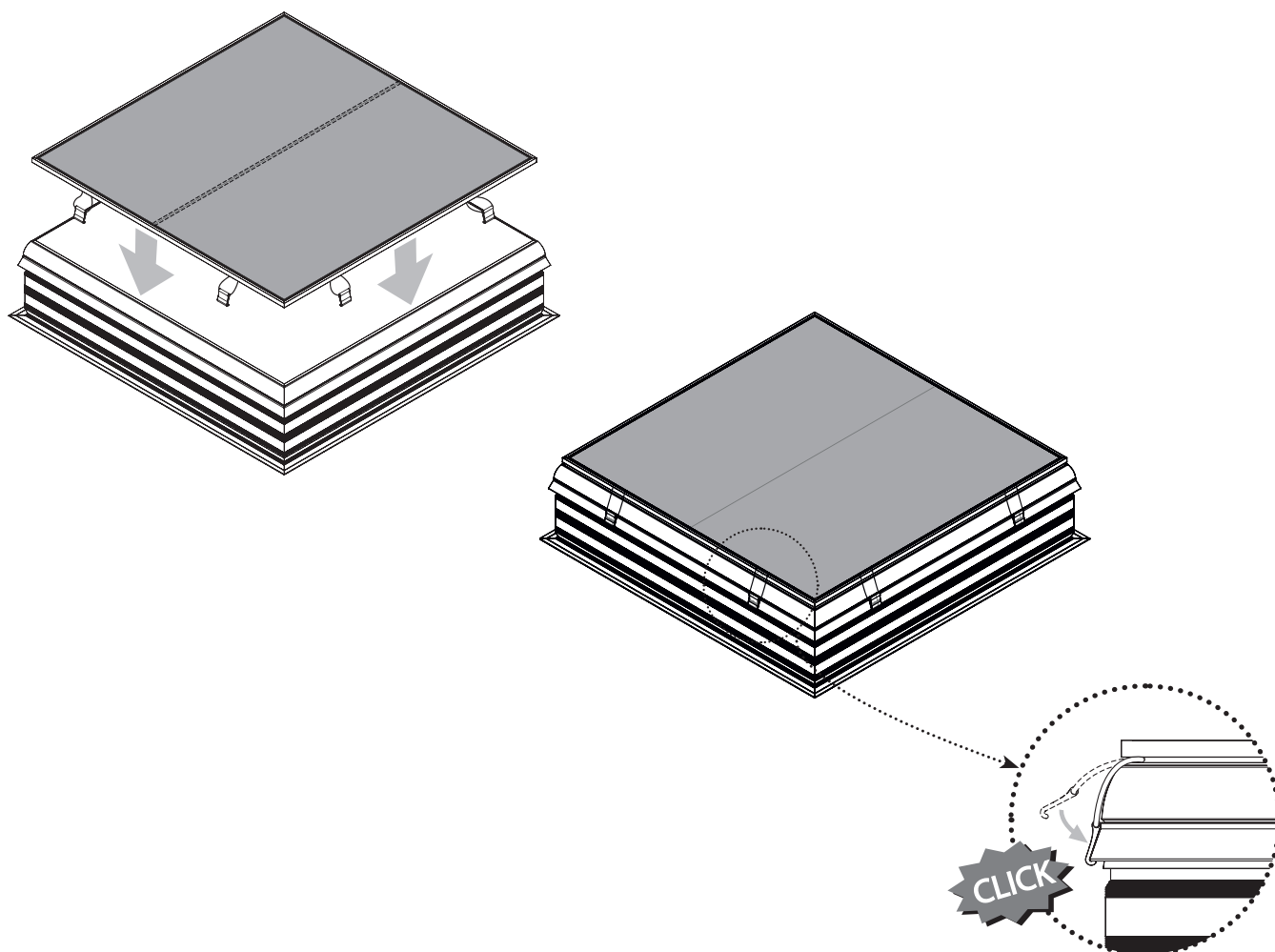
TECHNICAL FILE

Skylux[®]

Fixed outer sunblind

For iWindow2 and iWindow3





General product description

The Skylux® fixed outer sunblind is compatible with iWindow2 and iWindow3. It consists of an easy to install aluminium frame, finished with a high-quality powder coating (RAL 7021). The screen is fixed in the frame by a rubber profile. It's made of 0.50 mm thick glass fibre with a weatherproof PVC coating.

Features

- 👍 **Easy to install and to remove**
 - Excellent protection against sunlight
 - Modern and solid design
 - Energy-saving
 - Reduces contact noise from rain and hail
 - Highly resistant against wind

Specific characteristics: permeability

	iWindow2 + Fixed outer sunblind	iWindow3 + Fixed outer sunblind
Light transmission	6%	6%
g value	0,11	0,09
Air porosity	1180 l/m ² /sec	ISO/DIS 9237 (1995)

Specific characteristics: screen

Function	Mechanic (clips connection)
Colour inside	Black
Colour outside	Black
Material screen	Fibreglass with PVC-coating
Material frame	Extrusion aluminium powder coated RAL 7021
Material clips	ASA
Material rubber profile	Outer core: polypropylene Inner core: rubber flexible at low temperatures
Temperature resistance	-20 to 70 °C
Weight	max 3,1 kg. (for 2x1 m)

Specific characteristics: fabric

Type of fabric	PVC-coated fibreglass fabric	
Weave pattern	Basket weave	
Technical specifications	Average values	Standard
Thickness	0,5 mm	ISO/DIS 5084.2 (1996)
Mass	351g/m ²	ISO 3801 (1977)
Fire resistance	M2	UNE23.727-90
	FR	NFPA 701 (2010)
	Klasse 2	EN 13773
Volatile organic compounds	Complies	GREENGUARD-label
Volatile organic compounds (voc)	Complies	GREENGUARD-label Children & School
Breaking strength warp/weft	200 daN / 170 daN	ISO 13934-1 (1999)
Elongation at break warp/weft	5,4% / 3,8%	ISO 13934-1 (1991)
Tear resistance warp/weft	6,8 daN / 9,9 daN	ISO 4674 part 1 method A (2003)
Colour fastness	7 scale of blue	ISO 105 B02 (1994)

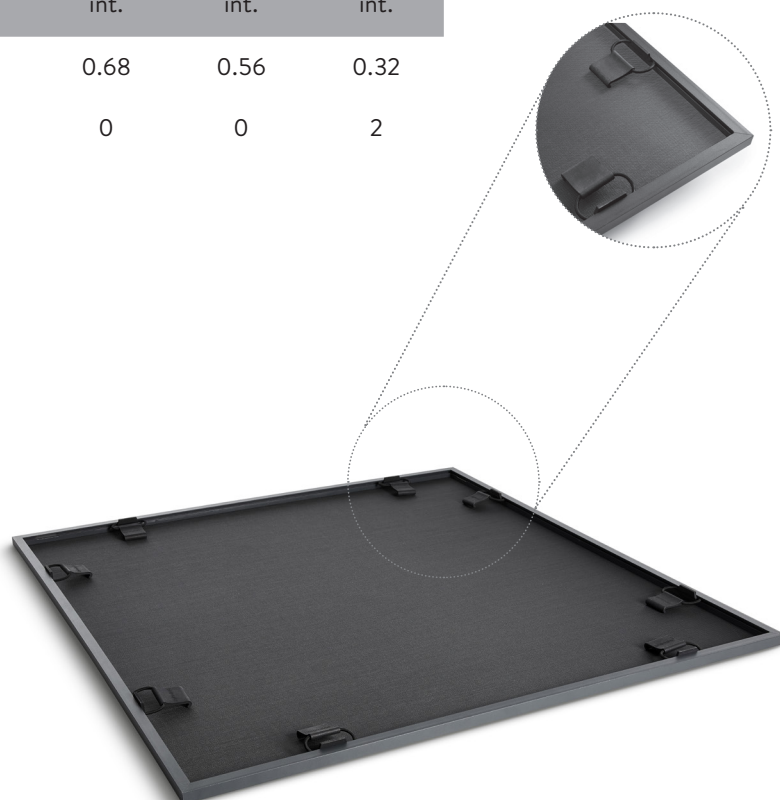
Specific characteristics: yarn

Technical specifications	Average values	Standard
Titer	95 tex	ISO 1889 (2009)
Weighted composition	Glass 36%, PVC 64%	ISO 3801 (1977)
Diameter	0,28 mm	
Environment	-	Oekotex standard 100

Characteristics solar heat and light control

T_s	R_s	A_s	T_v	TV_{diff}	TV_{dir}	T_{uv}	TV_{diff-h}	Glare control
9.3	4.2	86.5	9.2	0.5	8.7	9.1	6.9	Class 1

	A	B	C	D
	int.	int.	int.	int.
Values	0.70	0.68	0.56	0.32
Classes	0	0	0	2



SKYLUX NV
 SPINNERIJSTRAAT 100 - B-8530 STASEGEM
 T +32 (0)56 20 00 00 - F +32 (0)56 21 95 99
 INFO@SKYLUX.BE
 WWW.SKYLUX.BE


Hello daylight!