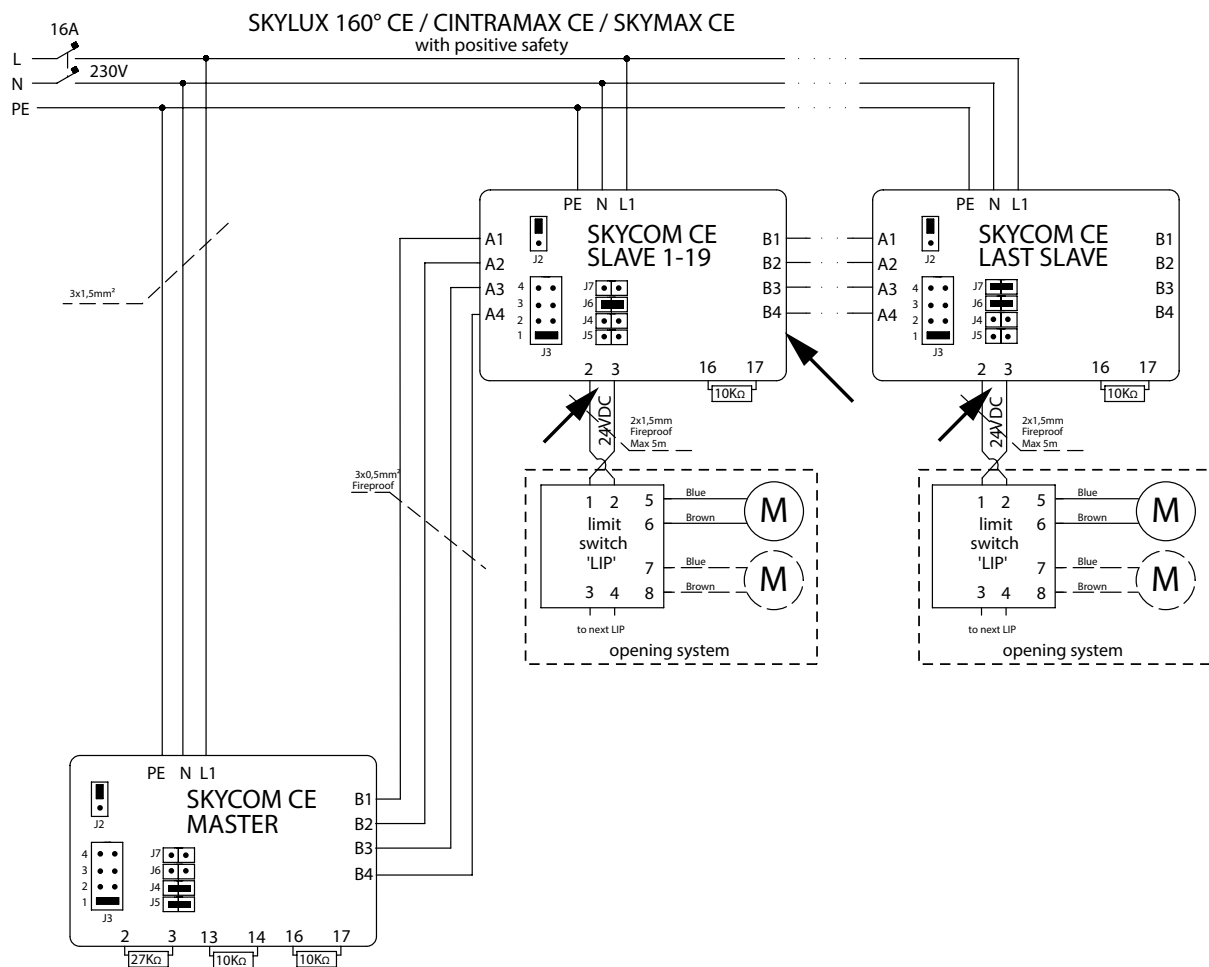


# Quick start

## Installation instructions Skycom CE for Skylux<sup>®</sup> 160° CE or Cintramax CE

### Electric scheme



We refer to our complete Skycom Skymax CE user manual and installation instructions.



Skylux 160° CE



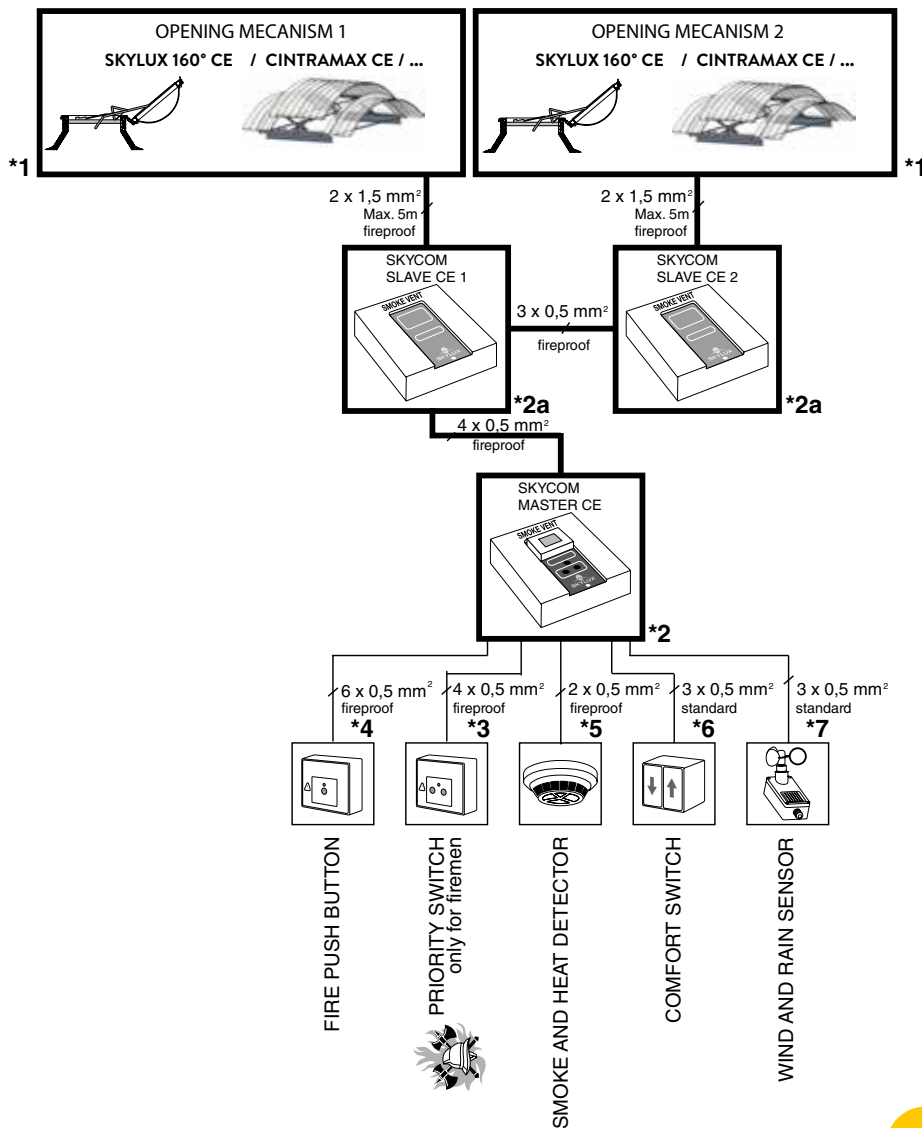
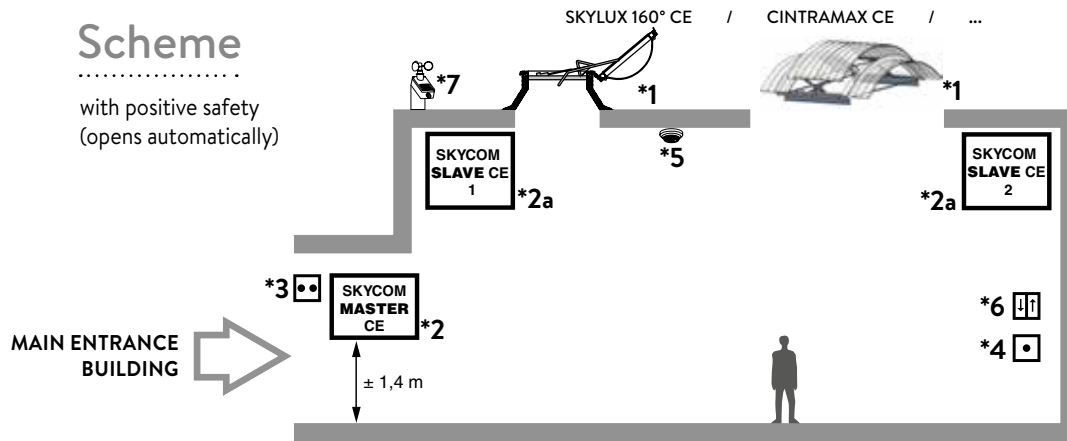
Cintramax CE\*  
from 2015

\* When connecting the Cintramax CE, the outgoing test cable must always be removed.



# Scheme

with positive safety  
(opens automatically)



— standard  
— optie

SKYLUX NV  
SPINNERIJSTRAAT 100 - B-8530 STASEGEM  
T +32 (0)56 20 00 00 - F +32 (0)56 21 95 99  
INFO@SKYLUX.BE  
WWW.SKYLUX.BE

