



iDome / iWindow2 / iWindow3 for partial renovation - installation on polyester, metal and PVC curbs

Mounting instructions

EN

1. Safety

Take the necessary and required safety precautions, such as safety nets and lifelines when installing from the outside, safety goggles, gloves, hard hat, etc.
Do not step on the glass.



Falling from height

- When using ladders to go on the roof:
 - Ladder in good condition?
 - Set up correctly at an angle of 75°?
 - Secured below and on top against moving?
 - Don't take heavy material with you on the ladder (3-point contact rule)! If possible, use a crane to lift the material.
- Do not lift material over the roof edge; use a crane to put the material on the roof.
- Roof zone: make sure the part of the roof where the skylight/barrel vault will be installed is safe enough, e.g. secure the edge (support system in the roof gutter that supports against the outer wall of the building, with suitable A B C categorie depending on the roof pitch) or use a scaffold so no one can fall off the roof. If the roof is not safe enough, always use a harness with lifeline (adapted to the fall height), attached to a suitable attachment point.
- Make sure the roof is stable and does not have dangerous openings or insufficient secure parts (e.g. corrugated sheets, ...). Take the necessary measures if this is not the case: strengthen, use suitable safety nets below the danger zones, ...
- Before making the roof opening for the skylight/barrel vault: make sure there are safety nets conform to the current legislation. The nets must be attached firmly and sufficiently to the building.
- When using an aerial work platform: always wear and secure your harness (mandatory)! Leaving the cage is forbidden.
- Never walk backwards on a roof, always walk forwards.
- Make sure there's enough light in the working zone.



Low-hanging obstacles and falling loads



- Forbidden to walk under or within a radius of 1 m of a hanging or lifted load.
- Demarcate the danger zone below the skylight/barrel vault, in the building as well as on the outside near the outer walls (in case material slides off the roof). If the zone is demarcated, people cannot be hit by any falling loads. It's prohibited to enter these danger zones during construction.

Crushing hazard



- All working tools are in good condition, provided with a valid CE label and all necessary safety regulations. These cannot be removed.
- People who use these working tools are educated for this purpose. Protections are always present on all working tools. They are in good condition and need to be set correctly.

Tripping/falling



- Safety is key and it begins with order and tidiness. Clean everything immediately, leave nothing lying around.
- Trash needs to be sorted.
- Be cautious with electric cables (danger of tripping/falling). Never walk backwards!
- Make sure there's enough light in the working zone.



Sharp objects

- Make sure your fingers/hands are not pinched and watch out for cuts while handling skylights or barrel vaults.
- Be careful where you put your hands during the installation.
- Wearing cut-resistant gloves is mandatory.



Ergonomics

- Always lift loads correctly: bend your knees, move your feet instead of forcing your spine, lift as close to your body as possible.
- Parts of more than 25 kg must be lifted with at least 2 persons.



Personal protective equipment



- Work clothes, safety shoes and helmet are mandatory for everyone.



- Lifeline and harness are mandatory if the edge is not secured enough or if there are no safety nets below the roof opening. They are also necessary when using an aerial working platform.



- Use gloves when handling skylight or barrel vault parts.



- Safety glasses and hearing protection are mandatory when using saws / grinders.

Always perform a Last Minute Risk Analysis!

If in doubt: STOP! Do not take unnecessary risks. Ask your supervisor if needed.

2. Table of contents

1 Safety	2
2 Table of contents	4
3 General	5
3.1 Glass cover: iWindow2, iWindow3 or iDome	5
3.2 PVC frame: low or high	5
3.3 Curb of choice	5
3.4 Mounting set	5
4 Important information	5
5 Before starting the installation of your product	5
6 Contents of delivery	6
7 Required tools	6
8 Requirements base curb	7
8.1 Curb construction	7
9 Mounting the lower hinges on the curb	8
9.1 Recommended technique: skylight as template	8
9.2 Location of the hinges	10
9.3 Mounting hardware for the hinges	11
9.3.1 Polyester curb	11
9.3.2 Metal curb	11
9.3.3 PVC curb	12
10 Mounting the roof window into the installed hinges	12
10.1 Positioning	12
10.2 Fastening	13
10.3 Securing	13
11 Finishing and first use	13
11.1 Flat roof window (iWindow2 & iWindow3)	13
11.2 Hybrid skylight (iDome)	13

3. General

These are the mounting instructions for a **FIXED** skylight model (F) with a **low OR high frame**.

3.1 Glass cover: iWindow2, iWindow3 or iDome

The installation steps are equal regardless of glass cover type: iDome, iWindow2 or iWindow3.

3.2 PVC frame: low or high

Installation is the same regardless of PVC frame type: aesthetic low PVC frame or the high (iOra) frame.

3.3 Curb of choice

These mounting instructions describe the installation on different curbs: either a polyester curb, PVC curb or metal curb.

3.4 Mounting set

This instruction describes the installation using the “hinges-mounting set” for fixed model.

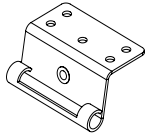

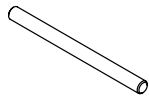
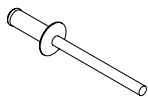



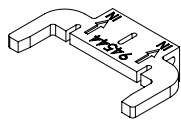
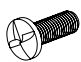
4. Important information

- Read instructions carefully before installation. Keep these instructions for future reference.
- Before starting the installation or maintenance of your flat (iWindow2 /iWindow3) or hybrid (iDome) roof window, all necessary safety measures must be fulfilled.
- The skylight needs to be installed by a professional.
- Ask for the Declaration of Performance (DoP).

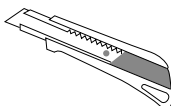
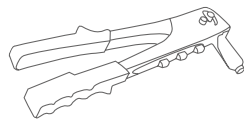
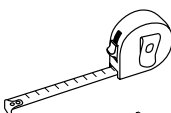
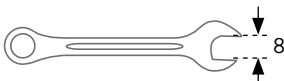
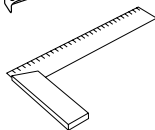

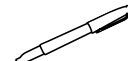
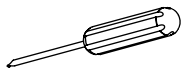
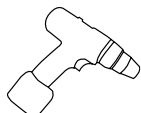
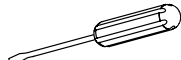

5. Before starting the installation of your product

- Recommended roof pitch:
 - o iDome: MIN 0° - MAX 25°
 - o iWindow2/3: MIN 5° - MAX 25°
- A base curb is not included with your product. The base curb must comply to the requirements stated in point 8 of this manual: “Requirements base curb”.

6. Contents of delivery

	60109	LOWER HINGE		5115	HILO SCREW MUSHROOM HEAD / PH
	48342	THREADED ROD		5420	BLIND RIVET
	51821	HEXAGON SOCKET MUSHROOM HEAD CAP NUT		17178	SELF-DRILLING HEXAGON WASHER HEAD SCREW
	5445	CLOSING WASHER M6 X 18		94544	LOWER HINGE POSITIONING TOOL
	60319	ONE-WAY SCREW M6 X 20			

7. Required tools

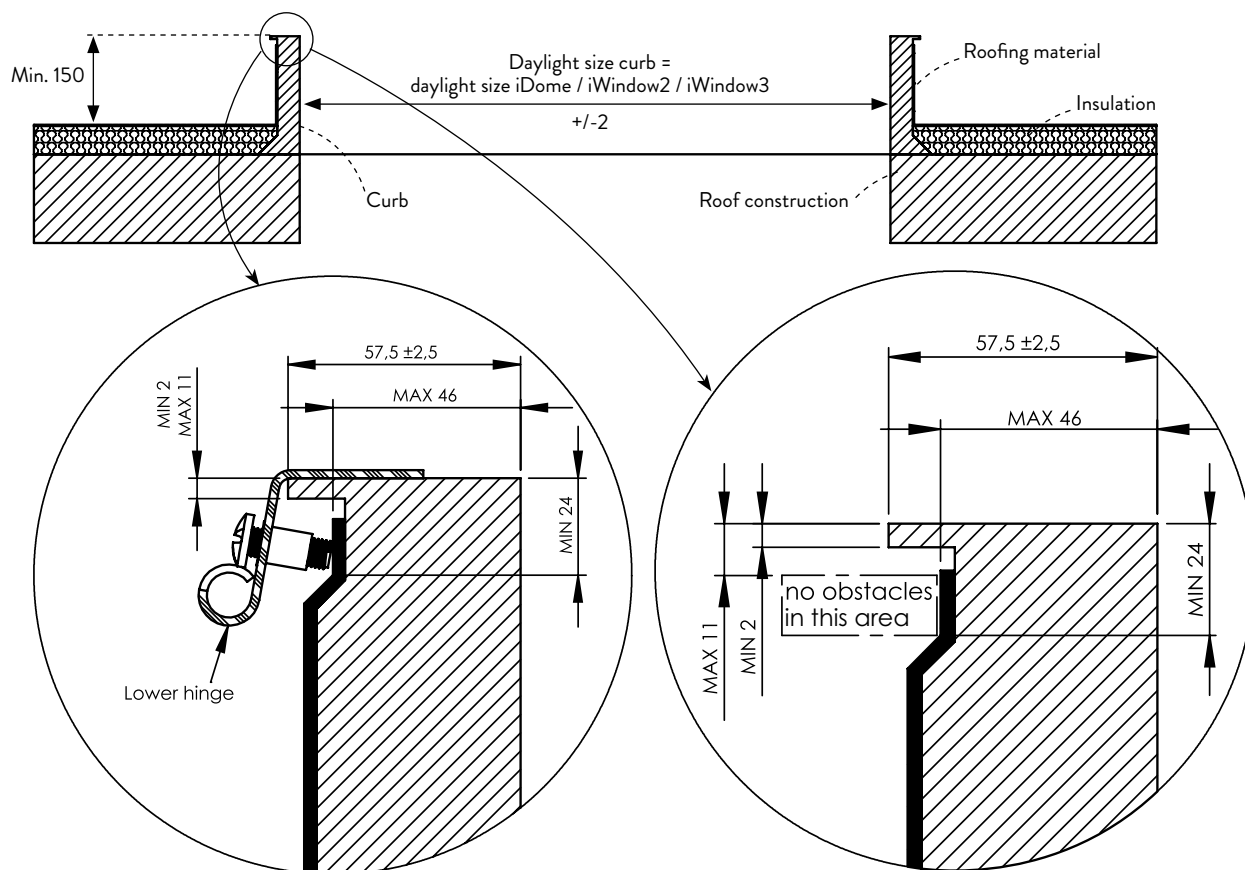
Utility knife		Riveter (or rivet gun)	
Tape measure		Wrench SW 8	
Square		Allen wrench SW 5	
Marker		Phillips screwdriver PH2	
Electric drill		Flat-head screwdriver	
Drill bit diameter 5.5 mm			

8. Requirements base curb

8.1 Curb construction

The curb (not included) must comply with the following conditions:

- Upper surface of curb: min. 15 cm above the roofing material.
- The curb has a flange at the top of which the inside is equal to the daylight opening. The width of the top flange is at least 55 mm and max. 60 mm (57.5 ± 2.5).
- The thickness of the top flange is at least 2 mm and strong enough over the entire width of 55 mm.
- The thickness of the top flange is max. 11 mm.
- No obstacles allowed in the marked area to allow the mounting of the lower hinge.
- The roofing material is pulled up to the top flange of the upper curb.

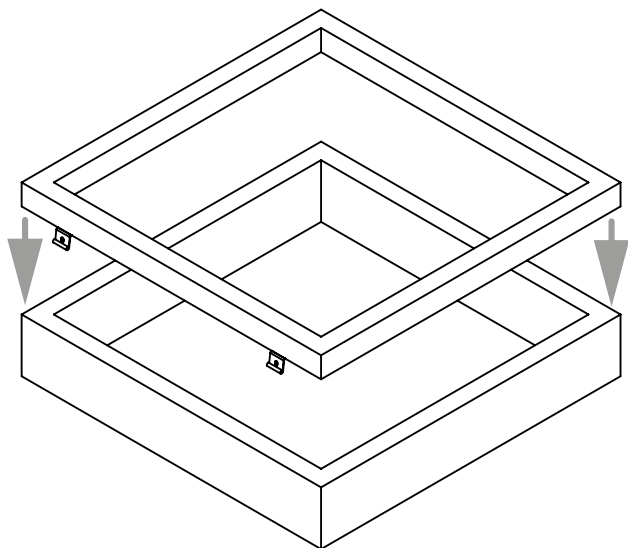


9. Mounting the lower hinges on the curb

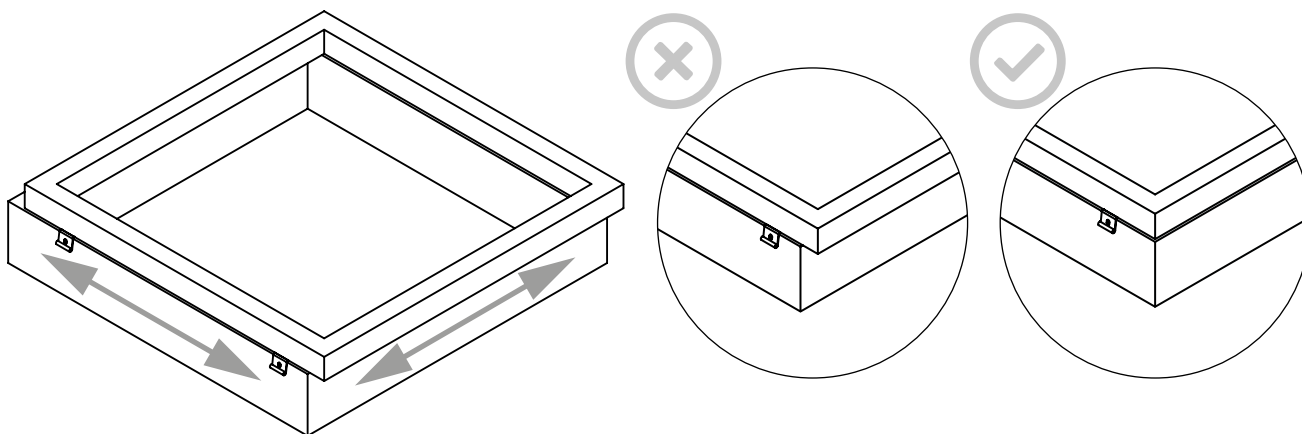
9.1 Recommended technique: skylight as template

The easiest & best way to install the lower hinges on the curb, is to use the actual skylight as a template. The procedure is described in the following steps.

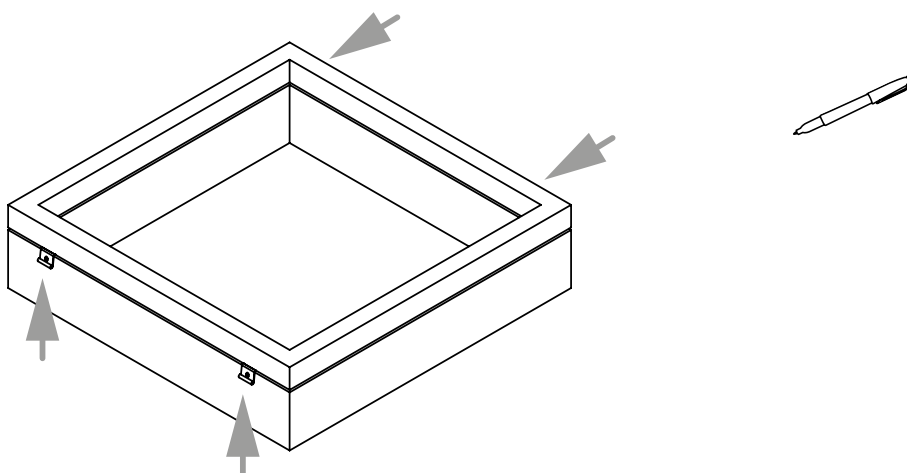
Place the iDome / iWindow2 / iWindow3 skylight on the curb.



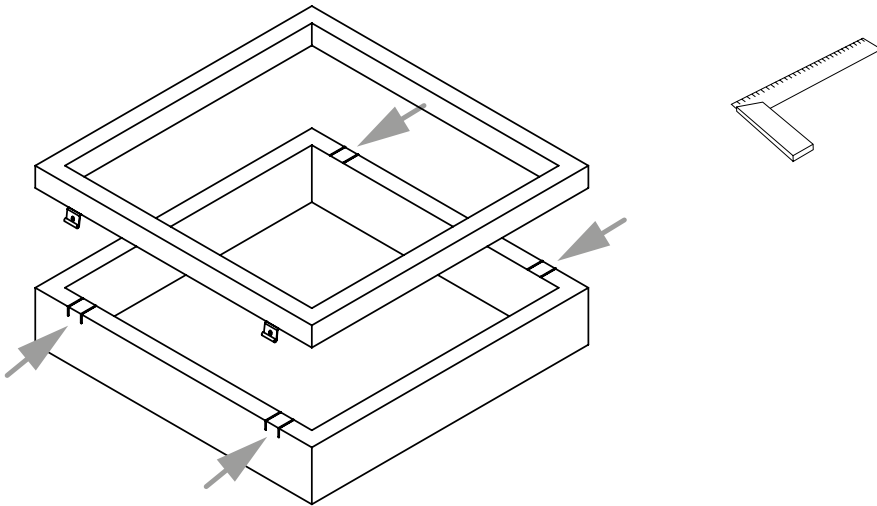
Align the skylight with the curb in both directions.



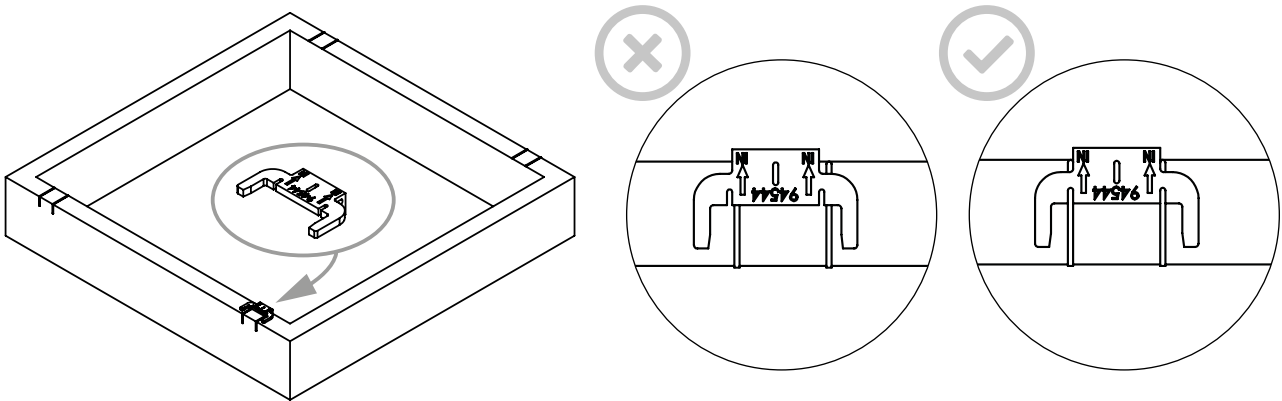
When correctly positioned, mark the location of the hinges on the curb.



Transfer the marked lines on the top-flange of the curb using a square.



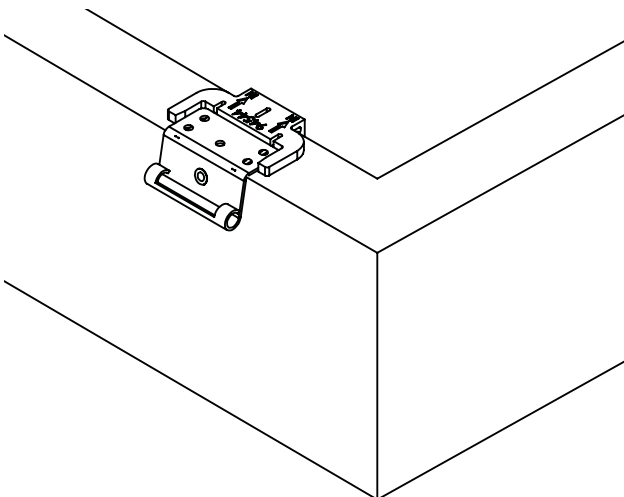
Align the included gauge (94544) with the marked lines.



Use the gauge to position the lower hinge.
Keep the markings aligned with the gauge & press the gauge to the inside of the curb.

Use the appropriate hardware (*) to attach the lower hinge to the curb.

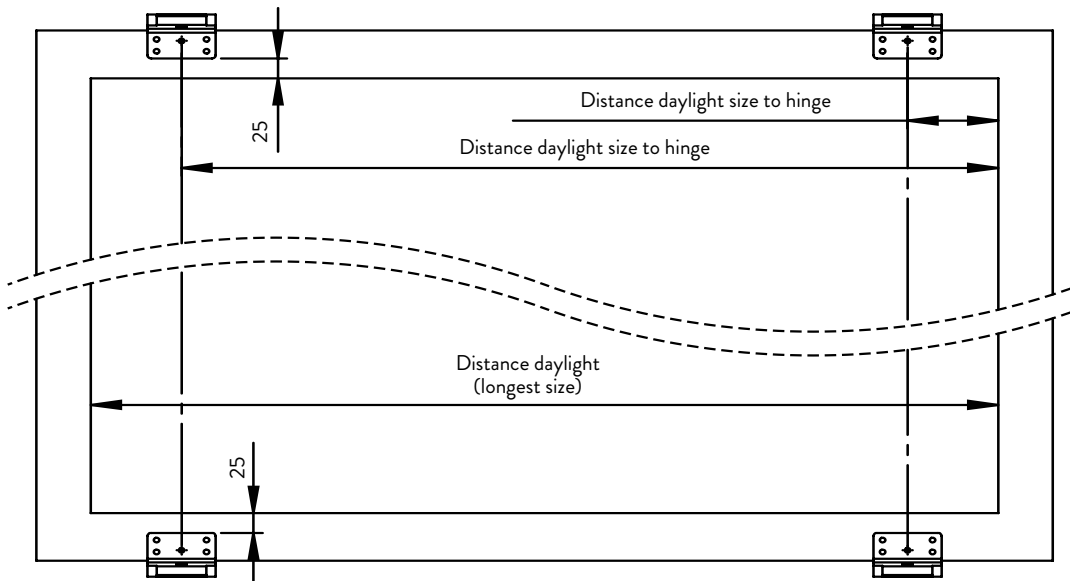
(*) see point 9.3 for the appropriate hardware



9.2 Location of the hinges

Remarks:

- Always measure from the inside of the curb to the middle of the hinges.
- For the best results, use the earlier described technique to mount the lower hinges on the curb (see point 9.1, using the skylight as a template).



- Values in table below are for reference only!
- Slight variations are possible!

Daylight size of the longest side (centre of the hinges) (mm)	Hinge 1	Hinge 2	Hinge 3	Hinge 4	Hinge 5	Hinge 6
400	50	350				
500	50	450				
550	50	500				
600	50	550				
700	50	650				
750	50	700				
800	75	725				
850	75	775				
900	100	800				
1000	100	900				
1050	100	950				
1100	125	550	975			
1200	150	600	1050			
1250	150	625	1100			
1300	150	650	1150			
1400	150	700	1250			
1500	100	750	1400			
1600	100	800	1500			
1650	100	825	1550			
1700	100	850	1600			
1750	100	875	1650			
1800	100	633	1167	1700		
1900	100	667	1233	1800		
2000	100	700	1300	1900		
2100	100	733	1367	2000		
2200	100	767	1433	2100		
2250	100	783	1467	2150		
2300	100	800	1500	2200		
2500	100	675	1250	1825	2400	
2800	100	620	1140	1660	2180	2700
3000	100	660	1220	1780	2340	2900

9.3 Mounting hardware for the hinges

Always use the appropriate hardware to mount the hinges on the curb!

The included hardware set contains mounting hardware for the following curb types: polyester, metal and PVC.

For other curb types: use suitable mounting hardware to attach the hinges.



Important notice:

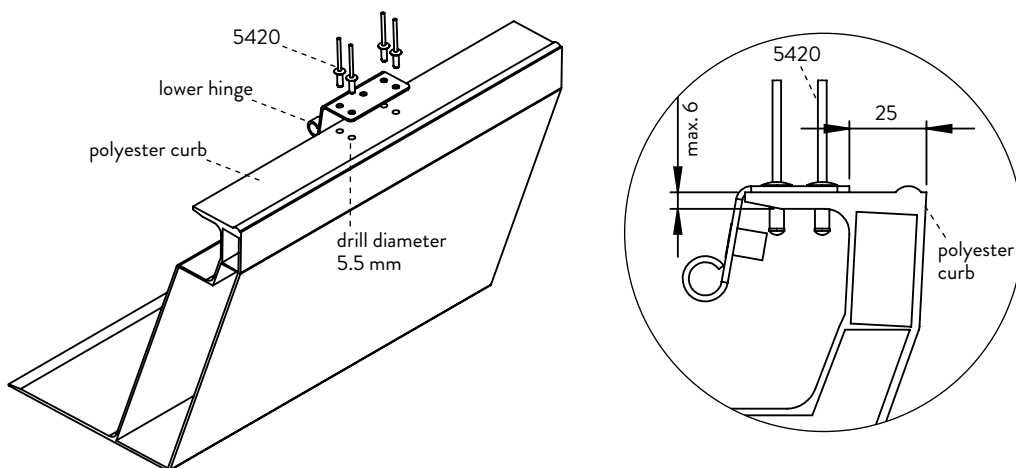
Your existing curb must comply with the minimum requirements as described in point 7.

9.3.1 Polyester curb

Pre-drill the holes with a 5.5 mm drill bit.

Use the supplied rivets (art. n° 5420).

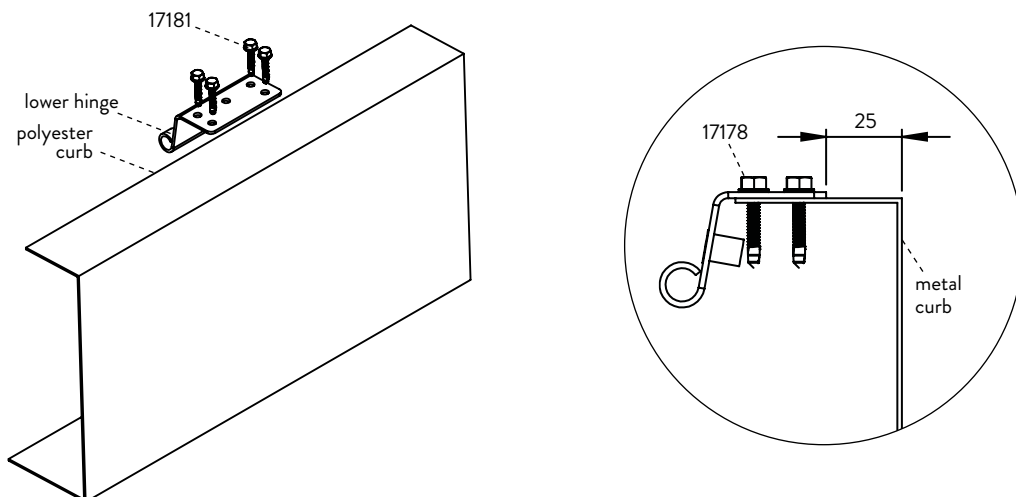
A manual riveter or rivet gun can be used to attach the rivets.



9.3.2 Metal curb

Use the supplied self-drilling hexagon washer head screws 4.8 x 25 (art. n° 17178)

Tighten the screws with an appropriate wrench SW8.



9.3.3 PVC curb



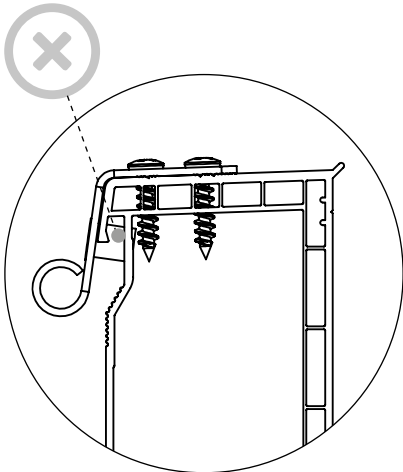
Important notice:

The compatibility of the lower hinge with the PVC curb depends on the geometry of the PVC curb.

In some cases, the lower hinge will not be compatible with the PVC curb.

For incompatible PVC curbs, other options may be available. Please contact us for more information.

Hinge clashes with PVC curb.



For PVC curbs that are compatible with the hinges:

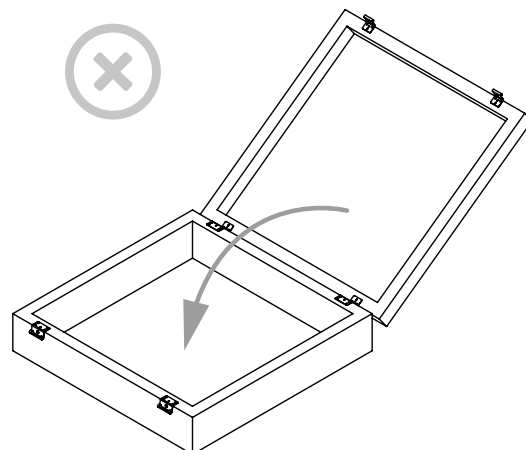
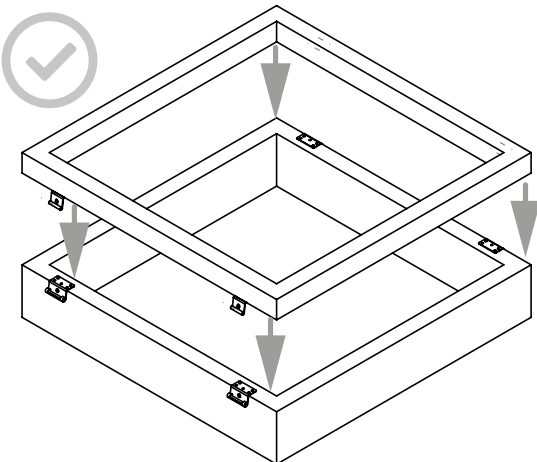
Use a Phillips screwdriver to tighten the included HILO screws (art. n° 5115).

10. Mounting the roof window into the installed hinges



10.1 Positioning

Position the skylight as illustrated:

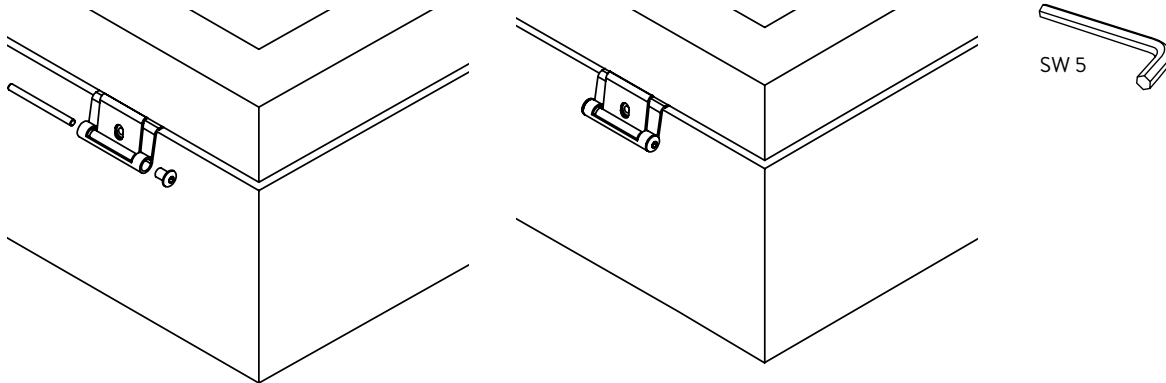


10.2 Fastening

Once in place, fasten the hinges with the supplied threaded rod (48342) and hexagon socket mushroom head cap nuts (51821).

Apply a drop of thread-locker on the nuts to prevent them from loosening.

Use an allen wrench SW5 to tighten the cap nuts.



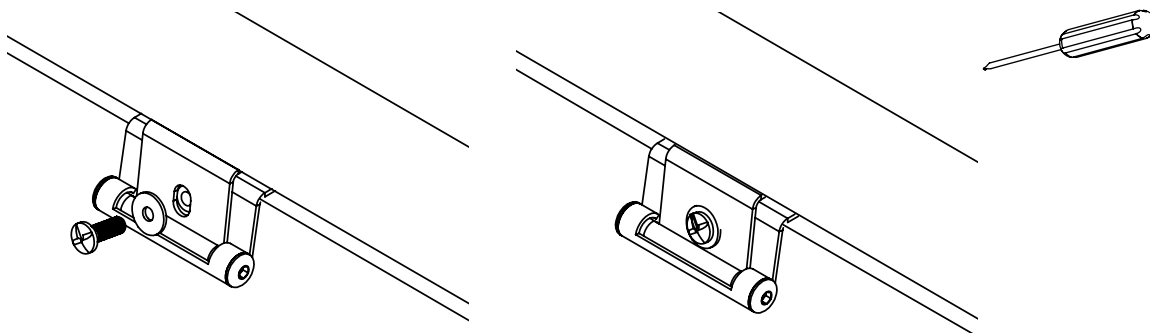
10.3 Securing

Before securing the skylight with the one-way screws, verify correct installation!

One-way screws are difficult to remove once installed!

Secure the skylight using the M6 “one-way screws” & M6 washers.

Use a flat-head screwdriver to tighten the one-way screws.



11. Finishing and first use

11.1 Flat roof window (iWindow2 & iWindow3)

Remove any protective foils & stickers. Your skylight is ready for use!

11.2 Hybrid skylight (iDome)

In case of a hybrid skylight (type iDome), a matching dome needs to be installed. First remove any protective foil & stickers. Make sure the top glass is clean.

Install the matching dome according to the mounting instructions of the plastic dome.

After installing the dome, your hybrid skylight is ready to use!

