



EN

Skylux® iWindow2™ / iWindow3™

Mounting instructions



Safety

Take the necessary and required safety precautions, such as safety nets and lifelines when installing from the outside, safety goggles, gloves, hard hat, etc.

Do not step on the glass.



Falling from height

- When using ladders to go on the roof:
 - Ladder in good condition?
 - Set up correctly at an angle of 75°?
 - Secured below and on top against moving?
 - Don't take heavy material with you on the ladder (3-point contact rule)! If possible, use a crane to lift the material.
- Do not lift material over the roof edge; use a crane to put the material on the roof.
- Roof zone: make sure the part of the roof where the skylight/barrel vault will be installed is safe enough, e.g. secure the edge (support system in the roof gutter that supports against the outer wall of the building, with suitable A B C categorie depending on the roof pitch) or use a scaffold so no one can fall off the roof. If the roof is not safe enough, always use a harness with lifeline (adapted to the fall height), attached to a suitable attachment point.
- Make sure the roof is stable and does not have dangerous openings or insufficient secure parts (e.g. corrugated sheets, ...). Take the necessary measures if this is not the case: strengthen, use suitable safety nets below the danger zones, ...
- Before making the roof opening for the skylight/barrel vault: make sure there are safety nets conform to the current legislation. The nets must be attached firmly and sufficiently to the building.
- When using an aerial work platform: always wear and secure your harness (mandatory)! Leaving the cage is forbidden.
- Never walk backwards on a roof, always walk forwards.
- Make sure there's enough light in the working zone.



Low-hanging obstacles and falling loads



- Forbidden to walk under or within a radius of 1 m of a hanging or lifted load.
- Demarcate the danger zone below the skylight/barrel vault, in the building as well as on the outside near the outer walls (in case material slides off the roof). If the zone is demarcated, people cannot be hit by any falling loads. It's prohibited to enter these danger zones during construction.

Crushing hazard



- All working tools are in good condition, provided with a valid CE label and all necessary safety regulations. These cannot be removed.
- People who use these working tools are educated for this purpose. Protections are always present on all working tools. They are in good condition and need to be set correctly.

Tripping/falling



- Safety is key and it begins with order and tidiness. Clean everything immediately, leave nothing lying around.
- Trash needs to be sorted.
- Be cautious with electric cables (danger of tripping/falling). Never walk backwards!
- Make sure there's enough light in the working zone.



Sharp objects

- Make sure your fingers/hands are not pinched and watch out for cuts while handling skylights or barrel vaults.
- Be careful where you put your hands during the installation.
- Wearing cut-resistant gloves is mandatory.



Ergonomics

- Always lift loads correctly: bend your knees, move your feet instead of forcing your spine, lift as close to your body as possible.
- Parts of more than 25 kg must be lifted with at least 2 persons.



Personal protective equipment



- Work clothes, safety shoes and helmet are mandatory for everyone.



- Lifeline and harness are mandatory if the edge is not secured enough or if there are no safety nets below the roof opening. They are also necessary when using an aerial working platform.



- Use gloves when handling skylight or barrel vault parts.



- BSafety glasses and hearing protection are mandatory when using saws / grinders.

Always perform a Last Minute Risk Analysis!

If in doubt: STOP! Do not take unnecessary risks. Ask your supervisor if needed.

Table of contents

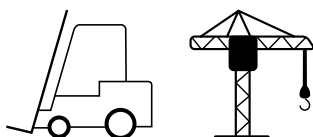
SAFETY	p. 2
CARE AND CLEANING	p. 4
GENERAL	p. 4
INCLINATION OF THE SKYLIGHT CURB	p. 5
MOUNTING THE PVC CURB	p. 5
MOUNTING THE FRAME	p. 6
ON SKYLUX PVC CURB	p. 6
FINISH WITH ROOF COVERING	p. 7

Care and cleaning

- It remains necessary to clean the glass skylights regularly.
- Check the attachments and silicone joints once a year.
- Remove tar stains with turpentine only and rinse well with plenty of pure water.
- Wipe off with mild soapy water (no abrasives) and always rinse well with plenty of pure water.
- Clean the PVC curb with PVC cleaner.

General

Before starting the installation or maintenance of your Skylux iWindow2™ or Skylux iWindow3™, please respect all necessary safety precautions. A Skylux iWindow2™ or Skylux iWindow3™ must be installed by a professional.
Declaration of performance via www.skylux.be.



Please note!

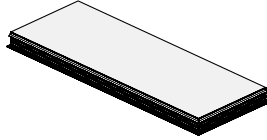
Depending on the size and weight of the glass skylight, we recommend using **appropriate lifting equipment** for transport and installation.

Large skylights are always packed horizontally on a wooden pallet. **Always put the entire pallet on the roof** before unpacking the skylights.

This is important for general safety and to avoid any damage to the products.

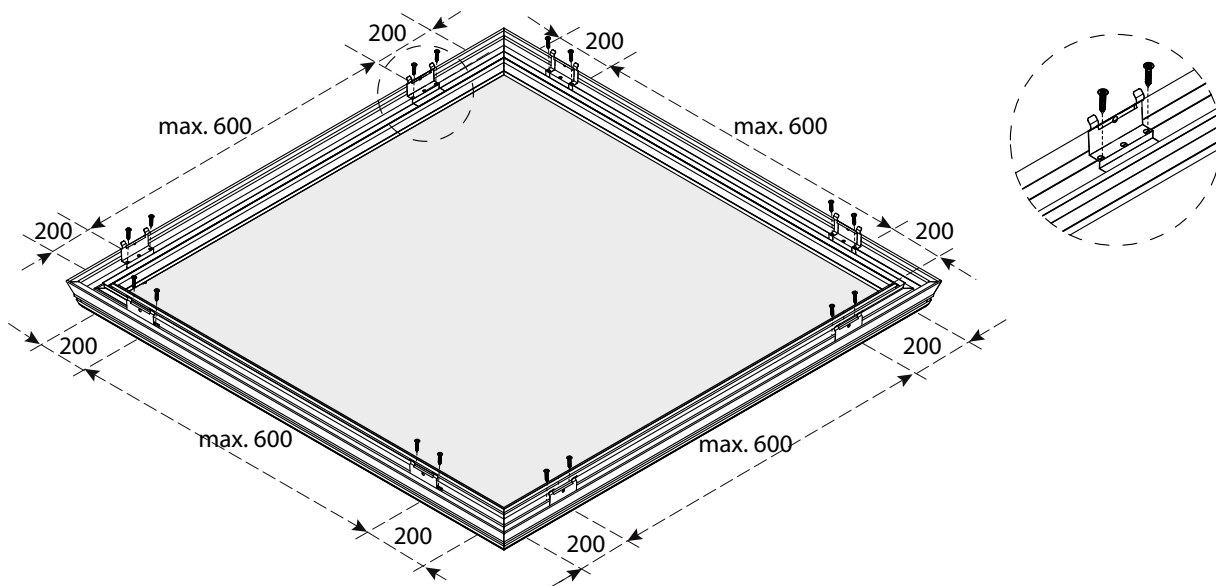
Mounting the frame

For daylight sizes 1000 x 3000 mm, the glass skylight is already pre-mounted on the curb with clips. So it is not necessary to mount the frame separately. Skip to "finish with roof covering" to continue.



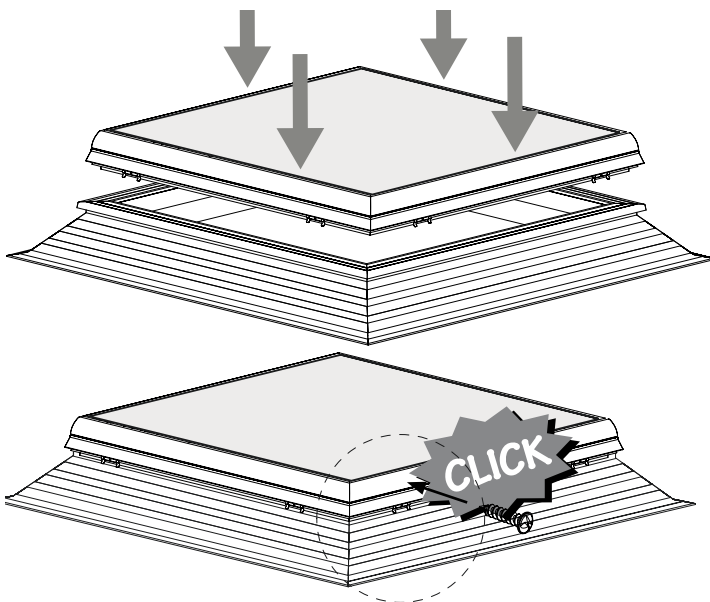
On Skylux PVC curb:

Open the packing and leave the frame upside down. Screw the clips pieces at the bottom of the frame with the delivered stainless steel screws. Start at 20 cm from the ends with an axis-distance of maximum 60 cm for installation on PVC curbs 16/20 EP, 20/00 EP(-S), 30/20 or 35/30.



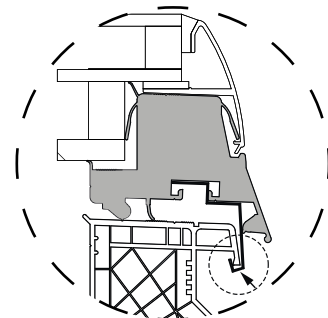
Turn around the complete system and put it above the curb!

Make sure the clips, the complete system of window and glass, are not directly placed on the roof covering or underground (to avoid damage on the roof covering or clips). Present the frame on the curb and divide the play equally over the 4 sides of the curb. Simply push the frame over the curb to clips the frame on the curb.



Drawings of Skylux iWindow3, similar to Skylux iWindow2.

Please check if all clips have been clamped behind the lip of the curb.



For extra reinforcement, screw the clips through the curb with delivered screws.

Finish with roof covering

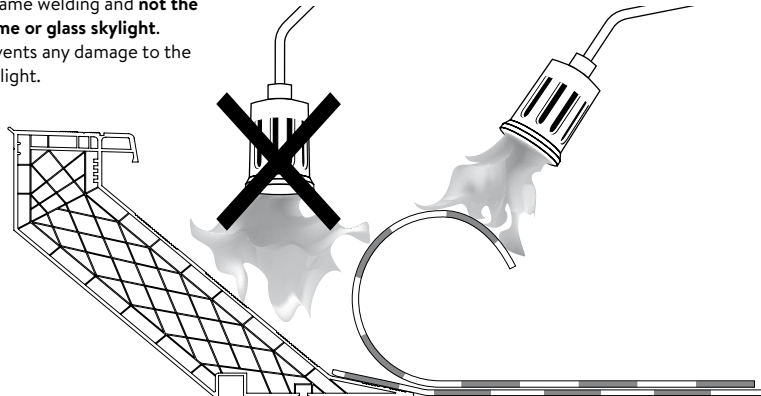
The outside of the curb must be dry before applying the roof covering.

Pull up the roof covering to below the top flange of the base curb.

We refer to the regulations of the roof cover manufacturer for all the types of roofing.

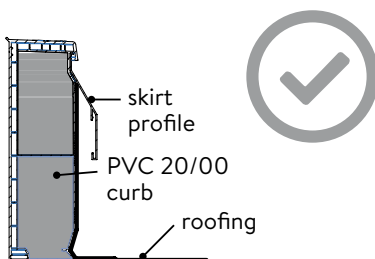
The corresponding flashing and corner profiles can be used for the PVC curb 20/00 EP (see: mounting instructions flashing profile).

Be careful to heat the membrane during flame welding and **not the PVC frame or glass skylight**. This prevents any damage to the glass skylight.



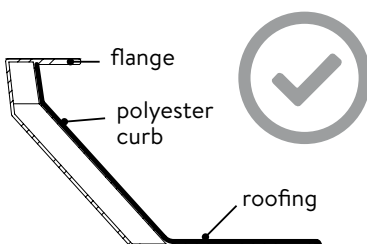
Be careful to heat the membrane during flame welding and not the skylight curb.

PVC 20/00 curb:

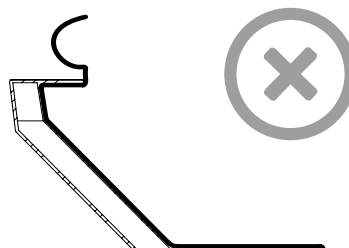


OK: roof covering is pulled up to below the skirt profile

polyester curb:

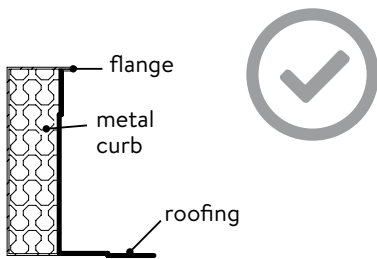


OK: roof covering is pulled up to below the flange

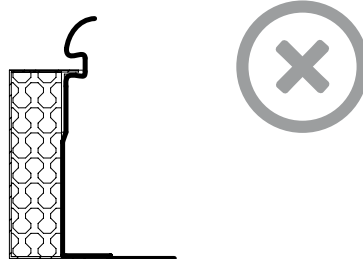


Incorrect: roof covering is pulled up over the flange

metal curb:

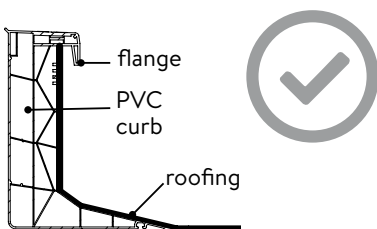


OK: roof covering is pulled up to below the flange

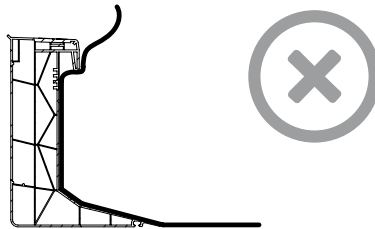


Incorrect: roof covering is pulled up over the flange

PVC curb:



OK: roof covering is pulled up to below the flange



Incorrect: roof covering is pulled up over the flange