

EN

# Skylux® iDome™

Mounting instructions

  
**SKYLUX**  
*Hello daylight!*

# Safety

Take the necessary and required safety precautions, such as safety nets and lifelines when installing from the outside, safety goggles, gloves, hard hat, etc.

Do not step on the glass.



## Falling from height

- When using ladders to go on the roof:
  - Ladder in good condition?
  - Set up correctly at an angle of 75°?
  - Secured below and on top against moving?
  - Don't take heavy material with you on the ladder (3-point contact rule)! If possible, use a crane to lift the material.
- Do not lift material over the roof edge; use a crane to put the material on the roof.
- Roof zone: make sure the part of the roof where the skylight/barrel vault will be installed is safe enough, e.g. secure the edge (support system in the roof gutter that supports against the outer wall of the building, with suitable A B C categorie depending on the roof pitch) or use a scaffold so no one can fall off the roof. If the roof is not safe enough, always use a harness with lifeline (adapted to the fall height), attached to a suitable attachment point.
- Make sure the roof is stable and does not have dangerous openings or insufficient secure parts (e.g. corrugated sheets, ...). Take the necessary measures if this is not the case: strengthen, use suitable safety nets below the danger zones, ...
- Before making the roof opening for the skylight/barrel vault: make sure there are safety nets conform to the current legislation. The nets must be attached firmly and sufficiently to the building.
- When using an aerial work platform: always wear and secure your harness (mandatory)! Leaving the cage is forbidden.
- Never walk backwards on a roof, always walk forwards.
- Make sure there's enough light in the working zone.



## Low-hanging obstacles and falling loads



- Forbidden to walk under or within a radius of 1 m of a hanging or lifted load.
- Demarcate the danger zone below the skylight/barrel vault, in the building as well as on the outside near the outer walls (in case material slides off the roof). If the zone is demarcated, people cannot be hit by any falling loads. It's prohibited to enter these danger zones during construction.

## Crushing hazard



- All working tools are in good condition, provided with a valid CE label and all necessary safety regulations. These cannot be removed.
- People who use these working tools are educated for this purpose. Protections are always present on all working tools. They are in good condition and need to be set correctly.

## Tripping/falling



- Safety is key and it begins with order and tidiness. Clean everything immediately, leave nothing lying around.
- Trash needs to be sorted.
- Be cautious with electric cables (danger of tripping/falling). Never walk backwards!
- Make sure there's enough light in the working zone.



### Sharp objects

- Make sure your fingers/hands are not pinched and watch out for cuts while handling skylights or barrel vaults.
- Be careful where you put your hands during the installation.
- Wearing cut-resistant gloves is mandatory.



### Ergonomics

- Always lift loads correctly: bend your knees, move your feet instead of forcing your spine, lift as close to your body as possible.
- Parts of more than 25 kg must be lifted with at least 2 persons.



### Lifting equipment

- Depending on the size and weight of the glass skylight, we recommend to use appropriate lifting equipment for transport and installation. This is important for general safety and to prevent any damage to the product.



### Personal protective equipment



- Work clothes, safety shoes and helmet are mandatory for everyone.



- Lifeline and harness are mandatory if the edge is not secured enough or if there are no safety nets below the roof opening. They are also necessary when using an aerial working platform.



- Use gloves when handling skylight or barrel vault parts.



- Safety glasses and hearing protection are mandatory when using saws / grinders.

### Always perform a Last Minute Risk Analysis!

**If in doubt: STOP! Do not take unnecessary risks. Ask your supervisor if needed.**

# Table of contents

SAFETY	p. 2
CARE AND CLEANING	p. 4
GENERAL	p. 4
INCLINATION OF THE SKYLIGHT CURB	p. 4
MOUNTING THE PVC CURB	p. 5
MOUNTING THE FRAME	p. 5
ON SKYLUX PVC CURB	p. 5
MOUNTING THE DOME	p. 6
PRECAUTIONS	p. 6
TIGHTEN THE SCREWS	p. 6
MOUNTING THE DOME CAP	p. 7
FINISH WITH ROOF COVERING	p. 7

## Care and cleaning

- Check the attachments and the sealing tape and silicone joints once a year.
- Do not clean or touch the domes with products aggressive to acrylic or polycarbonate, such as silicone, wood protectors, adhesives, unsuited sealing tapes, chemical fumes, ...
- Remove tar stains with turpentine only and rinse well with plenty of pure water.
- Wipe off with mild soapy water (no abrasives) and always rinse well with plenty of pure water.
- Scratches: contact your supplier for a suitable polishing cream
- Clean the PVC curb with PVC cleaner.
- Never spray any insecticide on the dome.
- Check the tension of the dome caps.

## General

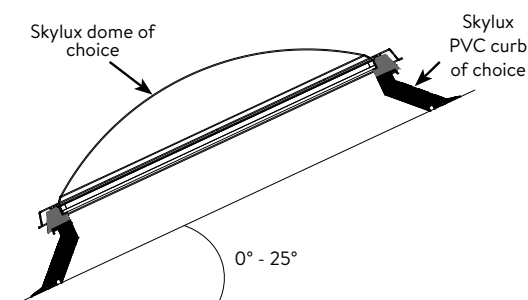
Before starting the installation or maintenance of your Skylux iDome™, please respect all necessary safety precautions. A Skylux iDome™ must be installed by a professional.  
Declaration of performance 001DoP2016-03 via [www.skylux.be](http://www.skylux.be).

## Inclination of the skylight curb

The Skylux iDome™ must be installed with an inclination angle between 0° and max. 25°. These values must be respected by the roof inclination or by the installation of the curb.

**\* with Skylux PVC curb**

**\* with the sloping PVC frame 08/00 (optional)**

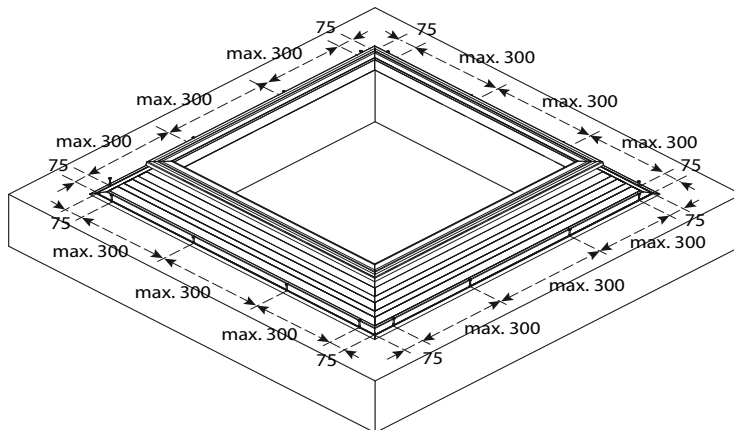


## Mounting the PVC curb

Always use a PVC curb recommended by Skylux, dependent on the roof covering. Other curbs are advised against, since they invalidate the guarantee.

### PVC curb

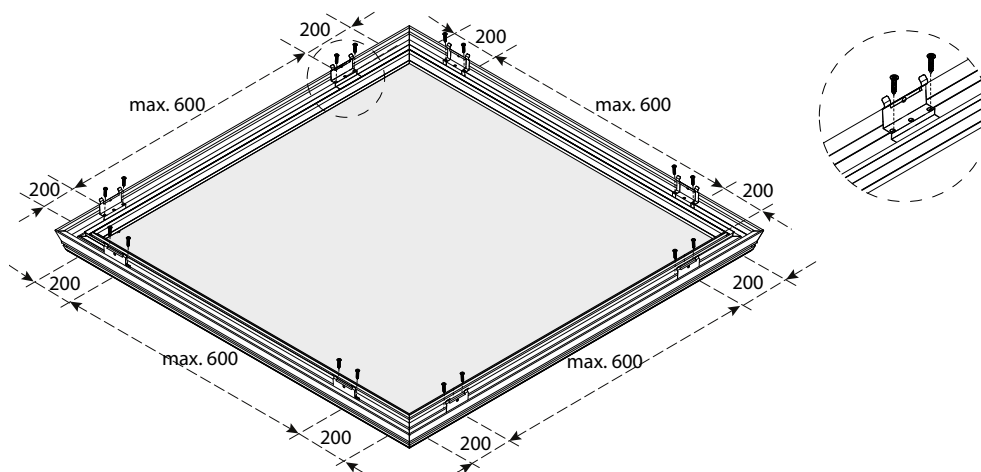
Curb: model 16/20 EP, model 20/00 EP, model 30/20 and model 35/30. Screw the curb on the fixed roof construction through the indication line of the flange (timber screws 5,2 x 60 mm or metal screws 4,8 x 60 mm). Start at 7,5 cm from the ends. The axis distance to the other screws must not exceed 30 cm.



## Mounting the frame

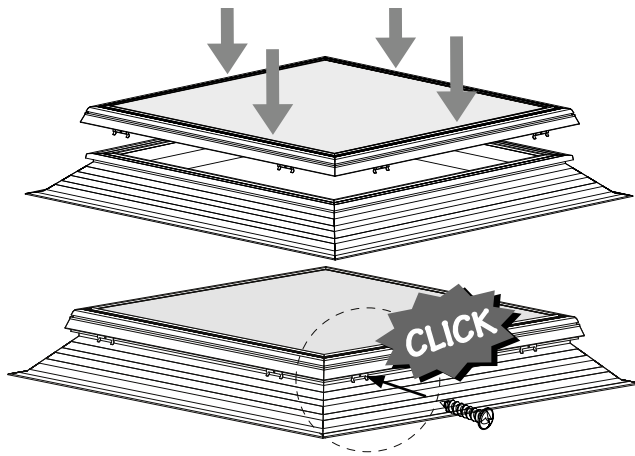
### On Skylux PVC curb:

Open the packing and leave the frame upside down. Screw the clips pieces at the bottom of the frame with the delivered stainless steel screws. Start at 20 cm from the ends with an axis-distance of maximum 60 cm for installation on PVC curbs 16/20 EP, 20/00 EP, 30/20 or 35/30.

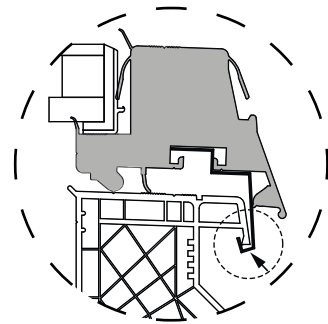


### Attach the hybrid skylight:

Turn around the complete system and put it above the curb! Make sure the clips, the complete system of window and glass, are not directly placed on the roof covering or underground (to avoid damage on the roof covering or clips). Present the frame on the curb and divide the play equally over the 4 sides of the curb. Simply push the frame over the curb to clips the the frame on the curb.



Please check if all clips have been clamped behind the lip of the curb.



For extra reinforcement, screw the clips through the curb with delivered (one-way) screws.

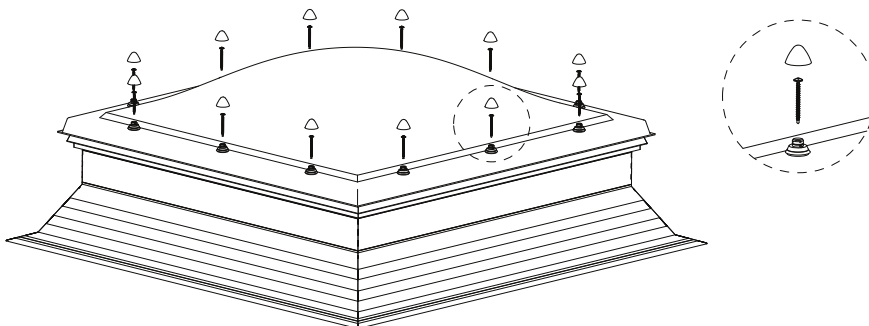
## Mounting the dome

### Precautions

The Skylux iDome must always be combined with a Skylux skylight. Clean the glass of the installed frame thoroughly with water and mild soap. Always remove the sticker and/or foil. Respect the installation instructions of the Skylux dome; included in each delivery.

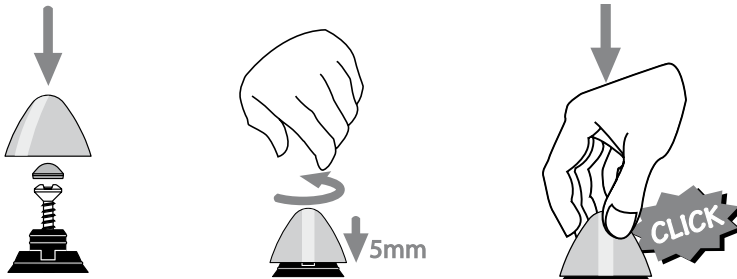
### Tighten the screws

Only use the delivered universal stainless self-drilling (one-way) screws. Fix the dome on the frame. Divide the clearance over the 4 sides of the dome. Screw the universal stainless self-drilling (one way) screws of the dome in the frame. Screw the (one way) screws cross-wise and equally; do not overtighten. Never use silicone or polyurethane (or other materials) as sealant between the dome and the frame. Check if the screws and nuts are tightened.



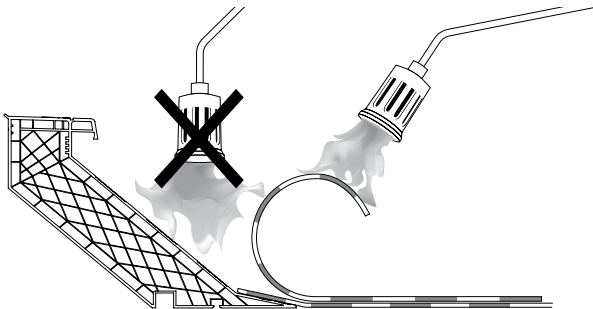
### Mounting the dome cap

When installing a dome, you can reinforce its burglar-proof protection by the metal caps over the (one-way) screws. The dome cap is put on the nut and prepared for final clip position by twisting at half a turn. In this position, the cap is firmly fixed and protected from rain on the nut, but one can still remove the cap of the nut. If the cap is clicked into a further position, the cap cannot be removed any more.

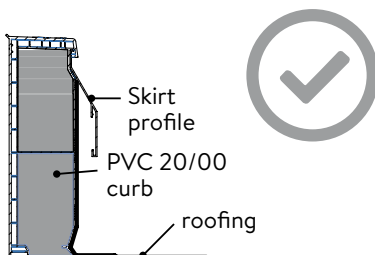


## Finish with roof covering

Pull up the roof covering to below the top flange of the base curb.  
We refer to the regulations of the roof cover manufacturer for all the types of roofing.

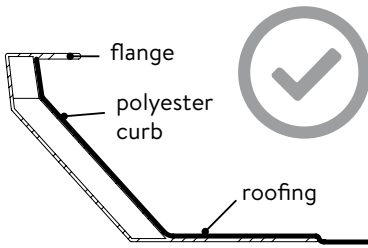


### PVC 20/00 curb:

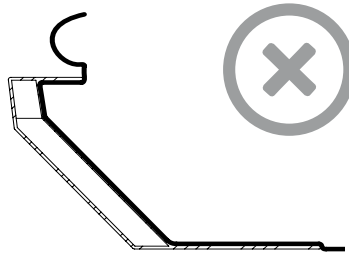


**OK:** roof covering is pulled up to below the skirt profile

**polyester curb:**

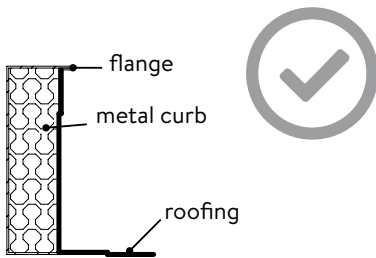


**OK:** roof covering is pulled up to below the flange

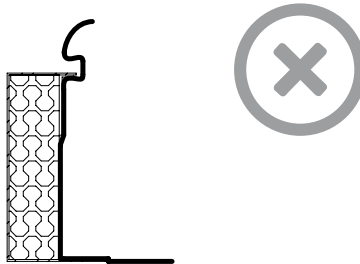


**Incorrect:** roof covering is pulled up over the flange

**metal curb:**

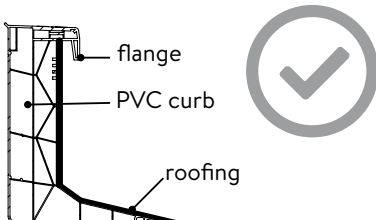


**OK:** roof covering is pulled up to below the flange



**Incorrect:** roof covering is pulled up over the flange

**PVC curb:**



**OK:** roof covering is pulled up to below the flange



**Incorrect:** roof covering is pulled up over the flange