

EN

Skylux[®] safety grid

Mounting instructions

Art.N° 40777


SKYLUX
Hello daylight!

Safety

Take the necessary and required safety precautions, such as safety nets and lifelines when installing from the outside, safety goggles, gloves, hard hat, etc.

Do not step on the glass.



Falling from height

- When using ladders to go on the roof:
 - Ladder in good condition?
 - Set up correctly at an angle of 75°?
 - Secured below and on top against moving?
 - Don't take heavy material with you on the ladder (3-point contact rule)! If possible, use a crane to lift the material.
- Do not lift material over the roof edge; use a crane to put the material on the roof.
- Roof zone: make sure the part of the roof where the skylight/barrel vault will be installed is safe enough, e.g. secure the edge (support system in the roof gutter that supports against the outer wall of the building, with suitable A B C categorie depending on the roof pitch) or use a scaffold so no one can fall off the roof. If the roof is not safe enough, always use a harness with lifeline (adapted to the fall height), attached to a suitable attachment point.
- Make sure the roof is stable and does not have dangerous openings or insufficient secure parts (e.g. corrugated sheets, ...). Take the necessary measures if this is not the case: strengthen, use suitable safety nets below the danger zones, ...
- Before making the roof opening for the skylight/barrel vault: make sure there are safety nets conform to the current legislation. The nets must be attached firmly and sufficiently to the building.
- When using an aerial work platform: always wear and secure your harness (mandatory)! Leaving the cage is forbidden.
- Never walk backwards on a roof, always walk forwards.
- Make sure there's enough light in the working zone.



Low-hanging obstacles and falling loads



- Forbidden to walk under or within a radius of 1 m of a hanging or lifted load.
- Demarcate the danger zone below the skylight/barrel vault, in the building as well as on the outside near the outer walls (in case material slides off the roof). If the zone is demarcated, people cannot be hit by any falling loads. It's prohibited to enter these danger zones during construction.

Crushing hazard



- All working tools are in good condition, provided with a valid CE label and all necessary safety regulations. These cannot be removed.
- People who use these working tools are educated for this purpose. Protections are always present on all working tools. They are in good condition and need to be set correctly.

Tripping/falling



- Safety is key and it begins with order and tidiness. Clean everything immediately, leave nothing lying around.
- Trash needs to be sorted.
- Be cautious with electric cables (danger of tripping/falling). Never walk backwards!
- Make sure there's enough light in the working zone.



Sharp objects

- Make sure your fingers/hands are not pinched and watch out for cuts while handling skylights or barrel vaults.
- Be careful where you put your hands during the installation.
- Wearing cut-resistant gloves is mandatory.



Ergonomics

- Always lift loads correctly: bend your knees, move your feet instead of forcing your spine, lift as close to your body as possible.
- Parts of more than 25 kg must be lifted with at least 2 persons.



Personal protective equipment



- Work clothes, safety shoes and helmet are mandatory for everyone.



- Lifeline and harness are mandatory if the edge is not secured enough or if there are no safety nets below the roof opening. They are also necessary when using an aerial working platform.



- Use gloves when handling skylight or barrel vault parts.



- BSafety glasses and hearing protection are mandatory when using saws / grinders.

Always perform a Last Minute Risk Analysis!

If in doubt: STOP! Do not take unnecessary risks. Ask your supervisor if needed.

Content

SAFETY	p. 2
REMARKS	p. 4
FIXING MATERIAL	p. 4
MAINTENANCE REGULATIONS	p. 4
INSTALLATION	p. 5
PREPARATION	p. 5
INSTALLATION IN THE ROOF OPENING	p. 5
INSTALLATION IN THE CURB	p. 6
INSTALLATION IN THE FRAME	p. 6

Remarks

The main aim of safety grid is to prevent people from falling through the skylight. These installation instructions are meant for in-built construction and only describe the technique and the installation flow. A risk analysis must be drawn up before mounting. You also need to respect and follow the safety rules, to make sure the correct working conditions and health care regulations are honoured.

Possible safety measurements are:

- Safety conditions on the roof eg. safety nets according to DIN EN 1263
- Make sure everyone wears its personal protective equipment (PPE) and survey of a superior is recommended.

Make sure the access to and from the building area is safe.

Fixing material

If other fixing material is used than described in these installation instructions, its equivalence must be proved. The same applies for the fixings and roof edge distances.

Maintenance regulations

The safety grids must at least be checked once a year by a qualified person. A written report of the check-up must be drawn up.

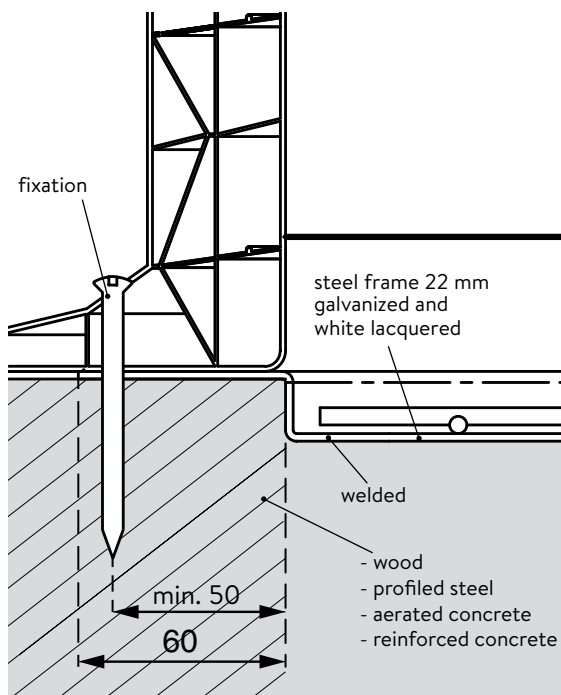
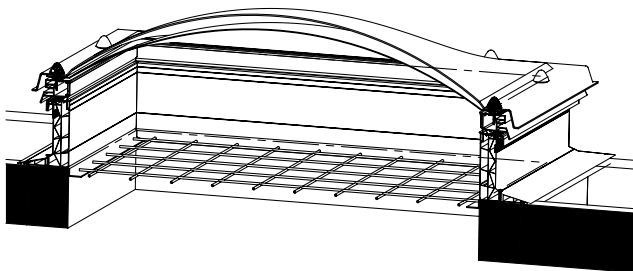
Installation

Preparation

Respecting and following the installation instructions ensures an optimal functioning of the system and a long-lasting durability. Please check if the delivery is complete and damage-free. We are not responsible for damage due to careless or wrong handling by installers or third parties.

Installation in the roof opening

Make sure to provide a stable and sufficiently strong support structure on which the safety grid can be mounted. The installers must wear a lifeline (safety line) (PPE against fall-through) and/or there must be safety nets underneath the roof opening. The grid must be fixed on a timber, metal or concrete underground in the pre-drilled holes of the grid with adapted fixation material.

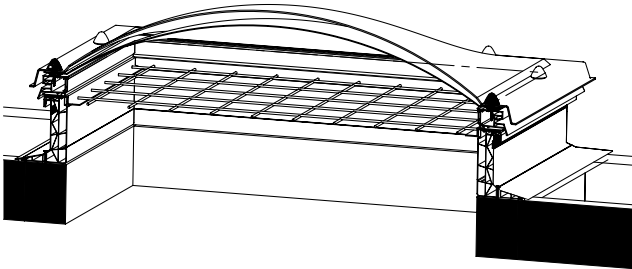


support structure	type of fixation
wood	timber screw DIN 96/DIN 571 or DIN 7996 6x70 or longer, with washer according to DIN 9021-6,4 or equal
profiled steel	sheetscrew DIN 7983-6,3 x 50 with washer or sheet screw AS-S16 6,5 x 50 according to DIN 7500 formD or equal
aerated concrete	Fischer 7x85 with washer according to DIN 9021-7,4 in Fischerplug GB10 or equal
reinforced concrete	Fischer 7x85 (with SKT head) with washer according to DIN 9021-7,4 in Fischerplug S10 x 50 or equal

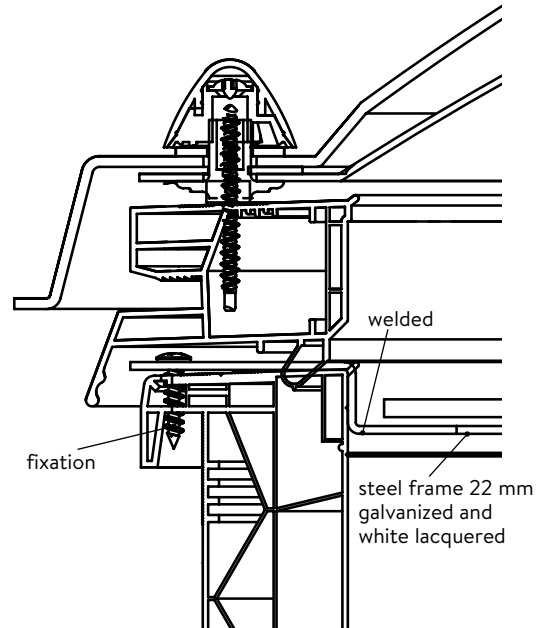
Installation in the curb

The installers must wear a lifeline (safety line) (PPE against fall-through) and/or there must be safety nets underneath the roof opening. Only use a curb of Skylux.

The different Skylux curbs are adapted to build in the safety grid. Fix the curb on a stable and adapted underground. Install the grid in the daylight size of the curb and fix with the delivered screws of the type wHILO 25 x 5,3 in all pre-drilled holes of the grid.



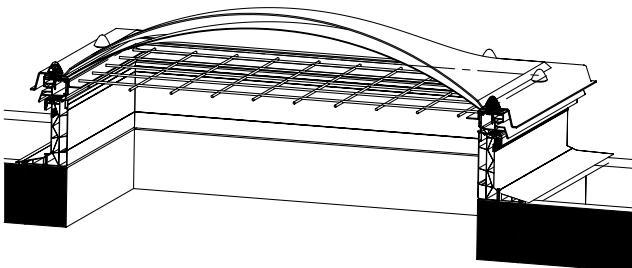
curb	type of fixation
PVC 16/20	Hilo 25mm x 5,3
PVC 16/20 EP	Hilo 25mm x 5,3
PVC 16/00	Hilo 25mm x 5,3
PVC 30/20	Hilo 25mm x 5,3
prv H15	Hilo 25mm x 5,3
prv D15	Hilo 25mm x 5,3
prv D30	Hilo 25mm x 5,3
prv D50	Hilo 25mm x 5,3
prv M15 - M50	Hilo 25mm x 5,3
metal M15-M50	Hilo 25mm x 5,3



Installation in the frame

The installers must wear a lifeline (safety line) (PPE against fall-through) and/or there must be safety nets underneath the roof opening. The different Skylux curbs and frames are adapted to build in the safety grid.

Install the grid in the frame using the installation instructions or use a preassembled frame. Fix the grid with the delivered screws of the type HILO 25 x 5,3 in all pre-drilled holes of the grid. Pre-drill holes in the grid with diameter 3,5 mm.



frames	type of fixation
PVC Sundome	Hilo 25mm x 5,3
PVC Window	Hilo 25mm x 5,3

