

EN

# Skylux<sup>®</sup> pvc curb 20/00 EP-S

Mounting instructions

  
**SKYLUX**  
*Hello daylight!*

# Safety

Take the necessary and required safety precautions, such as safety nets and lifelines when installing from the outside, safety goggles, gloves, hard hat, etc.  
Do not step on the glass.



## Falling from height

- When using ladders to go on the roof:
  - Ladder in good condition?
  - Set up correctly at an angle of 75°?
  - Secured below and on top against moving?
  - Don't take heavy material with you on the ladder (3-point contact rule)! If possible, use a crane to lift the material.
- Do not lift material over the roof edge; use a crane to put the material on the roof.
- Roof zone: make sure the part of the roof where the skylight/barrel vault will be installed is safe enough, e.g. secure the edge (support system in the roof gutter that supports against the outer wall of the building, with suitable A B C categorie depending on the roof pitch) or use a scaffold so no one can fall off the roof. If the roof is not safe enough, always use a harness with lifeline (adapted to the fall height), attached to a suitable attachment point.
- Make sure the roof is stable and does not have dangerous openings or insufficient secure parts (e.g. corrugated sheets, ...). Take the necessary measures if this is not the case: strengthen, use suitable safety nets below the danger zones, ...
- Before making the roof opening for the skylight/barrel vault: make sure there are safety nets conform to the current legislation. The nets must be attached firmly and sufficiently to the building.
- When using an aerial work platform: always wear and secure your harness (mandatory)! Leaving the cage is forbidden.
- Never walk backwards on a roof, always walk forwards.
- Make sure there's enough light in the working zone.



## Low-hanging obstacles and falling loads



- Forbidden to walk under or within a radius of 1 m of a hanging or lifted load.
- Demarcate the danger zone below the skylight/barrel vault, in the building as well as on the outside near the outer walls (in case material slides off the roof). If the zone is demarcated, people cannot be hit by any falling loads. It's prohibited to enter these danger zones during construction.

## Crushing hazard



- All working tools are in good condition, provided with a valid CE label and all necessary safety regulations. These cannot be removed.
- People who use these working tools are educated for this purpose. Protections are always present on all working tools. They are in good condition and need to be set correctly.

## Tripping/falling



- Safety is key and it begins with order and tidiness. Clean everything immediately, leave nothing lying around.
- Trash needs to be sorted.
- Be cautious with electric cables (danger of tripping/falling). Never walk backwards!
- Make sure there's enough light in the working zone.



### Sharp objects

- Make sure your fingers/hands are not pinched and watch out for cuts while handling skylights or barrel vaults.
- Be careful where you put your hands during the installation.
- Wearing cut-resistant gloves is mandatory.



### Ergonomics

- Always lift loads correctly: bend your knees, move your feet instead of forcing your spine, lift as close to your body as possible.
- Parts of more than 25 kg must be lifted with at least 2 persons.



### Personal protective equipment



- Work clothes, safety shoes and helmet are mandatory for everyone.



- Lifeline and harness are mandatory if the edge is not secured enough or if there are no safety nets below the roof opening. They are also necessary when using an aerial working platform.



- Use gloves when handling skylight or barrel vault parts.



- BSafety glasses and hearing protection are mandatory when using saws / grinders.

### Always perform a Last Minute Risk Analysis!

**If in doubt: STOP! Do not take unnecessary risks. Ask your supervisor if needed.**

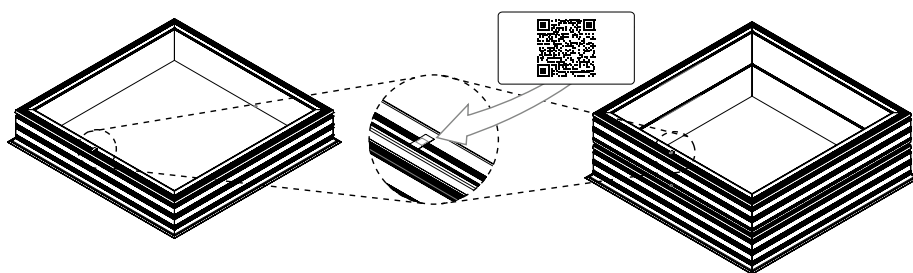
# Contents

SAFETY	p. 2
1. INSTALLATION OF THE BASIC CURB	p. 4
2. INSTALLATION OF THE STACKABLE CURB 20/00 EP-S	p. 5
3. INSTALLATION OF THE DOME	p. 6
4. SLOPE OF THE CURB	p. 6
5. MAINTENANCE TIPS	p. 6

Before starting any installation or maintenance on the 20/00 EP-S curb, all necessary safety measures must be adhered to. The curb must be installed by a professional.

### Questions or information about your PVC curb? Scan your NFC code.

You can find the code on the top of the skylight curb (see drawing). Thanks to this code, unique to your order, our customer service can help you further:

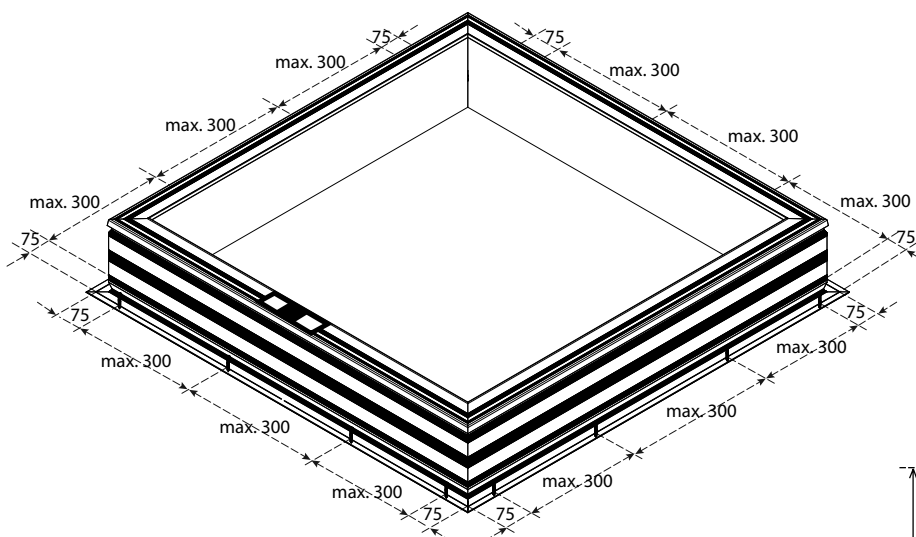


## 1. Installation of the basic curb

### 1.1 Lower curb in pvc

Curb: model 16/20 EP, 16/00, 20/00 EP, 30/20 and 35/30

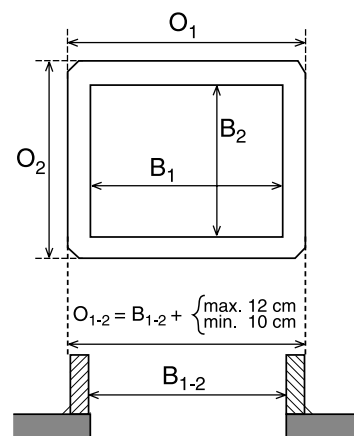
Screw the curb onto the roof construction through the line on the flange (wood screws 5.2x60 or steel screws 4.8x60). Start at 7.5 cm from the ends. The distance between the screws must not exceed 30 cm.



### 1.2 Lower curb non-pvc

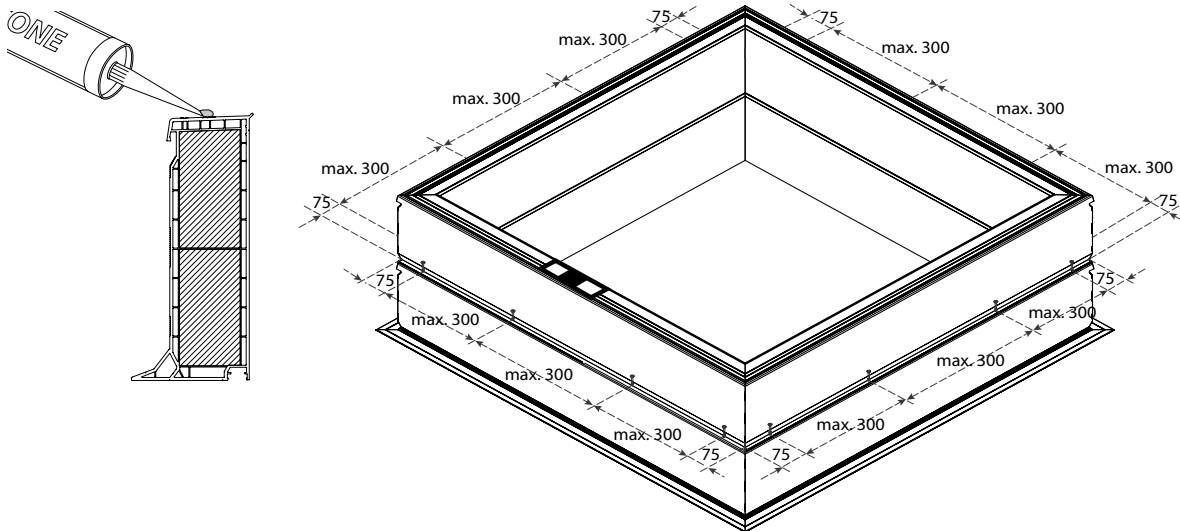
If a various type of curb (non Skylux) is used, which we strongly advise against, the following must be taken into account:

- The installer states the compatibility of the used curb with the stackable curb.
- The maximum outer size of the curb ( $O_{1-2}$ ) = daylight size of the dome ( $B_{1-2}$ ) + maximum 12 cm, lateral roofing included.
- The minimum outer size of the curb ( $O_{1-2}$ ) = daylight size of the dome ( $B_{1-2}$ ) + minimum 10 cm.
- The curb must have a flat surface all around.

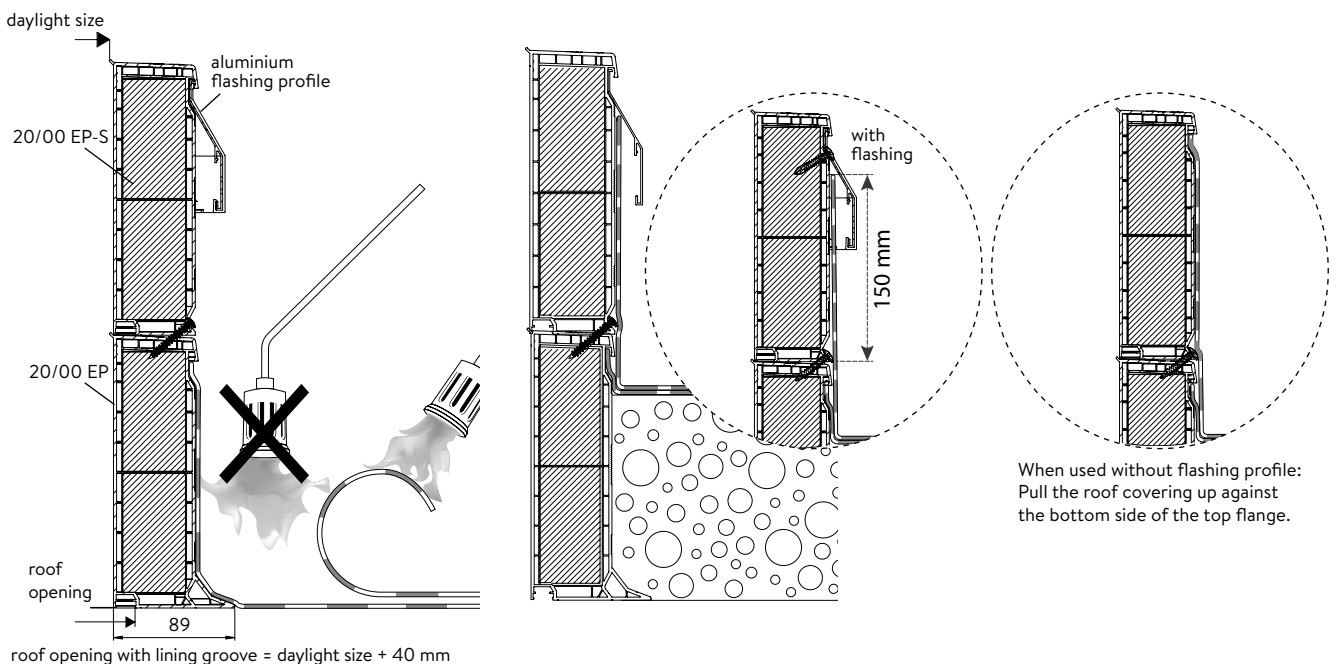


## 2. Installation of the stackable curb 20/00 EP-S

Apply a line of silicone (for pvc acid free, 100% silicone) on the bottom curb before installing the stackable curb above it. Apply the strip in the middle of the top flange ( $\pm 3$  cm from the daylight size). Use article 4736 from the Skylux range in case of a Skylux pvc curb. The installer chooses the adapted silicone for a various type of curb (non Skylux).



Place the stackable curb 20/00 EP-S, according to the daylight size of the dome, on the previously mounted curb. Screw the stackable curb to the lower slanted edge of the curb in the centre of the line. Use a round-head screw with Hilo wire of 5.3x40 (article 24201 in the Skylux range). Start at 7.5 cm from the ends. The distance between the screws must not exceed 30 cm. The installer chooses the adapted screws for a various type of curb (non Skylux). Screw them against the inclined pvc surface. Make sure the screw head is sufficiently sunk in the lateral side of the curb. If needed, a third curb can be fixed on the other ones (max. height of 60 cm).



Pull the roofing up to the upper flange. During the hot welding process, make sure to heat the membrane and not the curb.

Please consult the instructions of the roofing manufacturer for the various types of roofing systems.

Additional tip: when finishing with EPDM roofing, it is best to first apply a strip of vulcanised foil near the detail cut-outs.

## 3. Installation of the dome

### 3.1 Skylux glass dome

Read the installation manual of the Skylux iWindow2 or iWindow3

### 3.2 Skylux hybrid dome

Read the installation manual of the Skylux iDome or Window

### 3.3 Skylux plastic dome

Read the installation manual of the Skylux plastic dome.

Always check that the dome bolts and nuts are tightened.

## 4. Slope of the curb

According to EN 1873 domes may be installed at a slope up to 25°. The Skylux curb can therefore be installed on a pitched roof or at a slope between 0° and 25°. For curbs with a Skylux iWindow, an slope of 5° is recommended to prevent soiling of the outside glass and water stagnation.

## 5. Maintenance tips

Do not clean or touch domes with products that are not suitable for acrylic or polycarbonate, e.g. silicone, wood protectors, adhesives, unsuitable sealant tape, chemical vapours, etc.

Tar should only be removed using turpentine followed by thorough rinsing with water.

Clean domes with water and non-aggressive soap (no abrasives) and always rinse abundantly.

Clean pvc curbs with a pvc-cleaner.

Please note! The screws depend on the roof construction and are therefore not supplied with the curb.



*Attention: the CE certification is only valid if the composition, execution and the installation regulations are respected. AG.Plastics guarantees the CE conformity as described in the documentation and according the plant regulations of the appliances. Every variance, cancels the CE conformity.*

ONLY USE ORIGINAL PARTS DELIVERED BY AG.PLASTICS. EVERY GUARANTEE IS CANCELLED IF NON-ORIGINAL PARTS ARE USED.

SKYLUX IS A REGISTERED BRAND OF AG.PLASTICS  
SPINNERIJSTRAAT 100 - B-8530 STASEGEM  
T +32 (0)56 20 00 00 - F +32 (0)56 21 95 99  
INFO@SKYLUX.BE  
WWW.SKYLUX.BE

