



EN

# Vertical sunblind

Mounting instructions

  
**SKYLUX**<sup>®</sup>  
*Hello daylight!*

# Safety

Take the necessary and required safety precautions, such as safety nets and lifelines when installing from the outside, safety goggles, gloves, hard hat, etc.

Do not step on the glass.



## Falling from height

- When using ladders to go on the roof:
  - Ladder in good condition?
  - Set up correctly at an angle of 75°?
  - Secured below and on top against moving?
  - Don't take heavy material with you on the ladder (3-point contact rule)! If possible, use a crane to lift the material.
- If you are going on the roof, make sure there is a walking surface that is wide enough and that supports on the beams of the lower structure.
- When using an aerial work platform: always wear and secure your harness (mandatory)! Leaving the cage is forbidden.
- Never walk backwards on a roof, always walk forwards.
- Make sure there's enough light in the working zone.



## Low-hanging obstacles and falling loads

- Forbidden to walk under or within a radius of 1 m of a hanging or lifted load.
- Demarcate the danger zone below the zone where there is a risk of material falling down during the installation of the veranda.
- It's prohibited to enter these danger zones during construction.



## Crushing hazard

- All working tools are in good condition, provided with a valid CE label and all necessary safety regulations. These cannot be removed.
- People who use these working tools are educated for this purpose. Protections are always present on all working tools. They are in good condition and need to be set correctly.



## Tripping/falling

- Safety is key and it begins with order and tidiness. Clean everything immediately, leave nothing lying around.
- Trash needs to be sorted.
- Be cautious with electric cables (danger of tripping/falling). Never walk backwards!
- Make sure there's enough light in the working zone.



### Sharp objects

- Make sure your fingers/hands are not pinched and watch out for cuts while handling veranda parts.
- Be careful where you put your hands during the installation.
- Wearing cut-resistant gloves is mandatory.



### Ergonomics

- Always lift loads correctly: bend your knees, move your feet instead of forcing your spine, lift as close to your body as possible.
- Parts of more than 25 kg must be lifted with at least 2 persons.



### Personal protective equipment



- Work clothes, safety shoes and helmet are mandatory for everyone.



- Lifeline and harness are mandatory if the edge is not secured enough or if there are no safety nets below the veranda roof. They are also necessary when using an aerial working platform.



- Use gloves when handling veranda parts.



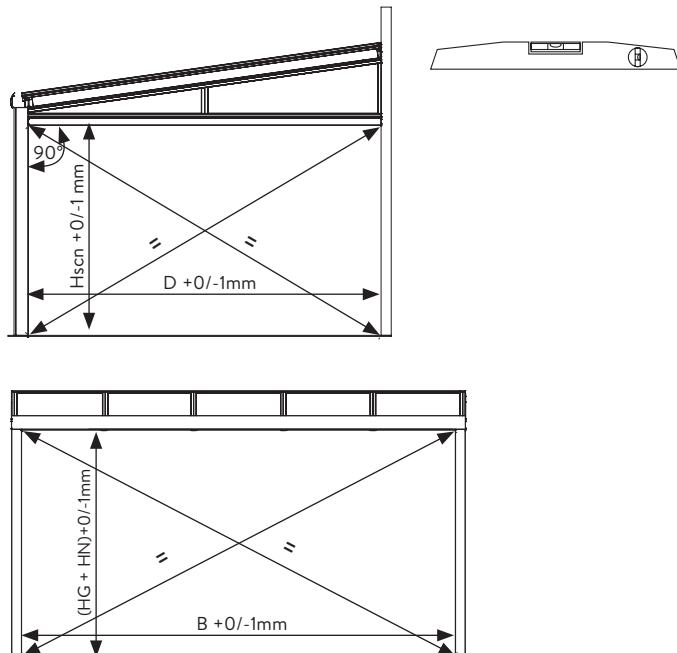
- Safety glasses and hearing protection are mandatory when using saws / grinders.

**Always perform a Last Minute Risk Analysis!**

**If in doubt: STOP! Do not take unnecessary risks. Ask your supervisor if needed.**

## Preparing the installation

Before attaching the rail to the posts, we advise you to recheck the measurements.

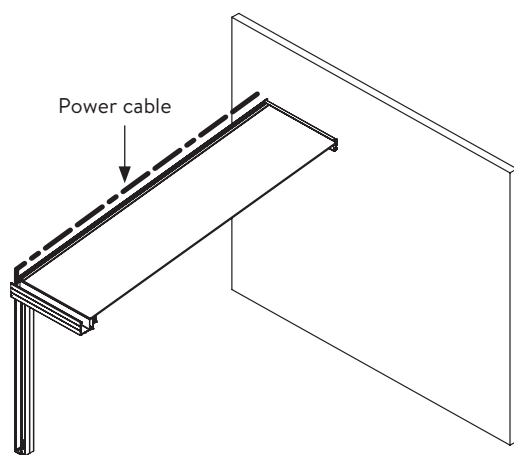


**Please make sure** that the rails are always parallel towards each other and perpendicular towards the casing. This is very important because an incorrect installation causes wrinkles in the fabric or permanent damage.

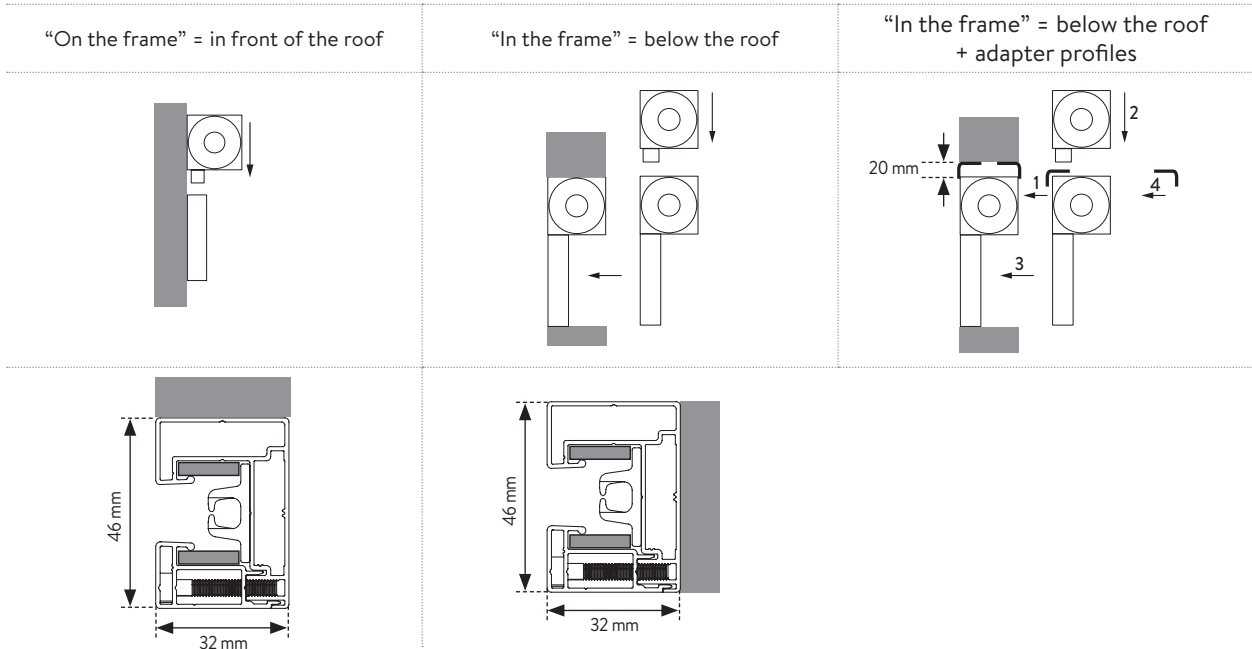
### Electrical connection of the actuator

Before installing the screen, you must provide a drill hole for the motorised controls.

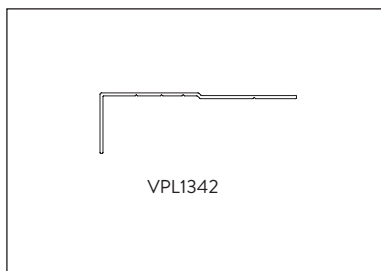
- Check the position of the actuator cable (left or right).
- Run the power cable through the carrier or next to the side clips.



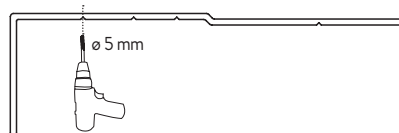
# Installation situation options



## Pre-installation adapter profile

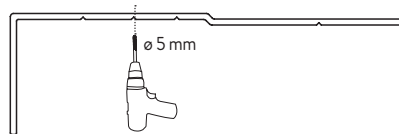


Climalux GX

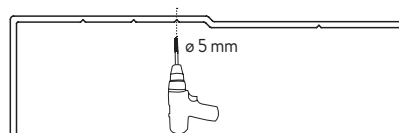


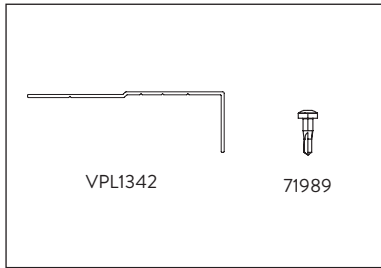
Climalux GXLX

Climax GD1  
Side of canopy



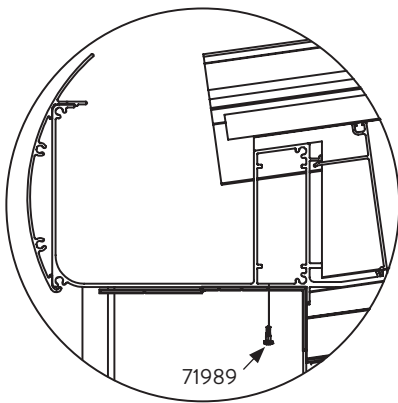
Climax Panorama GDG  
Climax GD2



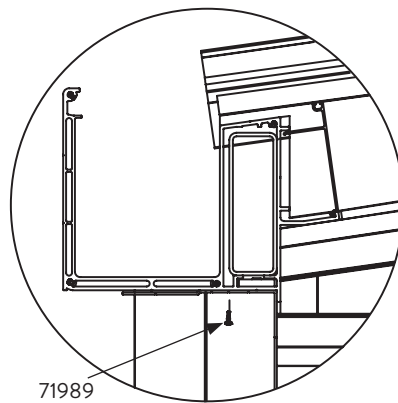


Pre-drill reinforcement profile with  $\varnothing$  4 mm.

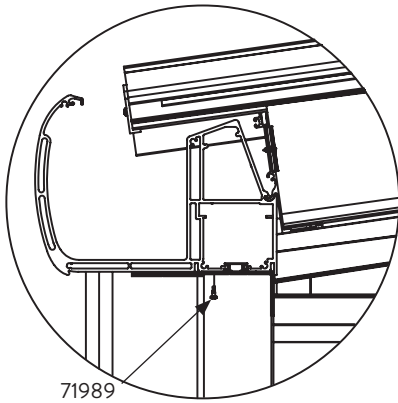
Climalux GX



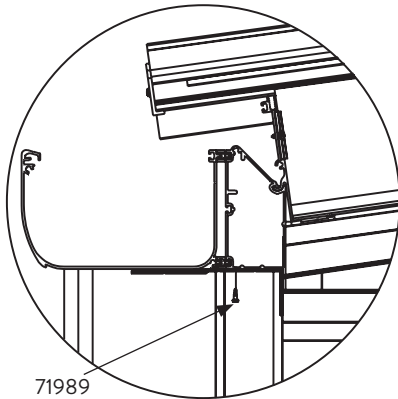
Climalux GXLX



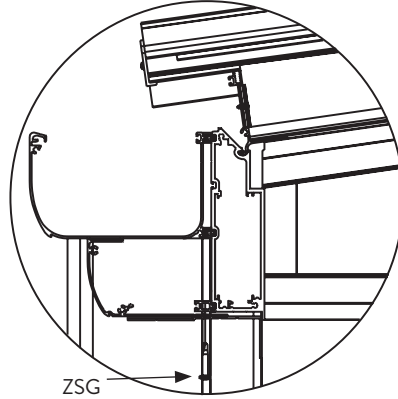
Climax Panorama



Climax GD1



Climax GD2



# Installation of the screen

See installation instruction of screen.

## Somfy app: manual for adjustments, use, troubleshoot

Installation app - QR code:



### Troubleshoot

#### Remote control:

1. Is the remote control suited for the actuator (RTS, IO, WT ...)?
2. Is the remote control connected to the actuator?
3. Does the remote control have multiple control channels? Is it set on the right channel?
4. Did you programme a favourite position?
5. Is the battery of the remote control dead?
6. Have the actuator settings been reset which removed all settings?
7. If necessary, transfer the original actuator to a backup remote control and adjust the sunblind again.

#### Sensors:

1. Is there a wind sensor (wired/wireless) that prevents the screen from being controlled because of strong wind?
2. Is there a solar sensor/rain sensor (wired/wireless)?
3. Is the screen connected to a house automation system?

#### Electrical connection:

1. Did a fuse fail in the distribution box?
2. Is there damage to cables or a connector that has not been connected correctly?
3. Has the actuator been connected correctly?
  - o Direction of rotation is correct? This can be reversed by programming.
  - o Screen actuators cannot be in parallel! Actuators have different running times (tube diameter/screen height/end point setting). Actuators connected in parallel will always interfere with each other, resulting in voltage peaks and damage.

**Thermal safety:**

Keep in mind that tubular motors can only move up and down a few times (depending on the size of the screen before they get too hot and go in thermal safety for about 10 minutes.

**External obstacle:**

Ice formation at freezing temperatures or mechanical obstacles can cause too much resistance, causing the actuator to stop or fail.

**Installation:**

1. Are the rails parallel to each other and perpendicular on the casing?
2. Are the PVC zip rails neatly installed behind the rubber dampers in the aluminium rails?

**Fabric roll-up (open the casing if necessary):**

1. Is the fabric under slight tension in the PVC zip rail?
3. Is the fabric rolled up correctly?
4. Is the fabric nicely in the middle of the tube?
5. Does the fabric slope too much to one side?
6. Is the ballast in the fabric slat nicely distributed, or does it feel like everything has been pushed to 1 side?
7. Does the fabric falter when rolling up/unrolling?
8. Does the engine make abnormal noise at any given time?
9. Does the zipper guide nicely in the PVC zipper guides without difficulties to lower or too much tension?

**Actuator:**

1. Is the actuator type correct? And the actuator power?
2. Are the adapters between the actuator & the tube (tail & head) damaged? Some actuators use this ring to recognise their position.

## Maintenance

The casing, rails and bottom rail should be cleaned with a soft sponge or cloth, tepid water and non-aggressive cleaning products. We strongly advise against cleaning with scourers or pressure washers as they will damage the product.

The canvas must also be cleaned with a soft sponge or brush and tepid water.

Avoid rolling up the canvas when it's wet as this can cause mould. Let the canvas dry after cleaning or after rain.

The sunblind should not be used during freezing temperatures. The frost can freeze the canvas, which causes damage when the canvas is rolled up or down. We advise to roll up the sunblinds and not to use them in case of temperatures below 3° Celsius.

Failing to comply with the above mentioned maintenance and user advice voids the guarantee.

---

ONLY USE ORIGINAL PARTS SUPPLIED BY SKYLUX. FAILURE TO USE ORIGINAL PARTS VOIDS THE GUARANTEE.

THESE GUIDELINES ONLY SERVE AS ADVICE AND INFORMATION. INSTALLATION IS CONDUCTED UNDER THE SOLE RESPONSIBILITY OF THE CUSTOMER.

---

SKYLUX IS A REGISTERED BRAND OF SKYLUX  
SPINNERIJSTRAAT 100 - B-8530 STASEGEM  
T +32 (0)56 20 00 00 - F +32 (0)56 21 95 99  
INFO@SKYLUX.BE  
WWW.SKYLUX.EU

