



EN

# Vertical sunblind

Mounting instructions

Art.N° 78065

  
**SKYLUX**<sup>®</sup>  
*Hello daylight!*

# Safety

Take the necessary and required safety precautions, such as safety nets and lifelines when installing from the outside, safety goggles, gloves, hard hat, etc.  
Do not step on the glass.



## Falling from height

- When using ladders to go on the roof:
  - Ladder in good condition?
  - Set up correctly at an angle of 75°?
  - Secured below and on top against moving?
  - Don't take heavy material with you on the ladder (3-point contact rule)! If possible, use a crane to lift the material.
- If you are going on the roof, make sure there is a walking surface that is wide enough and that supports on the beams of the lower structure.
- When using an aerial work platform: always wear and secure your harness (mandatory)! Leaving the cage is forbidden.
- Never walk backwards on a roof, always walk forwards.
- Make sure there's enough light in the working zone.



## Low-hanging obstacles and falling loads



- Forbidden to walk under or within a radius of 1 m of a hanging or lifted load.
- Demarcate the danger zone below the zone where there is a risk of material falling down during the installation of the veranda.
- It's prohibited to enter these danger zones during construction.



## Crushing hazard

- All working tools are in good condition, provided with a valid CE label and all necessary safety regulations. These cannot be removed.
- People who use these working tools are educated for this purpose. Protections are always present on all working tools. They are in good condition and need to be set correctly.



## Tripping/falling

- Safety is key and it begins with order and tidiness. Clean everything immediately, leave nothing lying around.
- Trash needs to be sorted.
- Be cautious with electric cables (danger of tripping/falling). Never walk backwards!
- Make sure there's enough light in the working zone.



### Sharp objects

- Make sure your fingers/hands are not pinched and watch out for cuts while handling veranda parts.
- Be careful where you put your hands during the installation.
- Wearing cut-resistant gloves is mandatory.



### Ergonomics

- Always lift loads correctly: bend your knees, move your feet instead of forcing your spine, lift as close to your body as possible.
- Parts of more than 25 kg must be lifted with at least 2 persons.



### Personal protective equipment



- Work clothes, safety shoes and helmet are mandatory for everyone.



- Lifeline and harness are mandatory if the edge is not secured enough or if there are no safety nets below the veranda roof. They are also necessary when using an aerial working platform.



- Use gloves when handling veranda parts.



- Safety glasses and hearing protection are mandatory when using saws / grinders.

**Always perform a Last Minute Risk Analysis!**

**If in doubt: STOP! Do not take unnecessary risks. Ask your supervisor if needed.**

# Content

---

SAFETY	p. 2
CONTENT	p. 4
INTRODUCTION	p. 4
USE OF THE PRODUCT	p. 4
OVERVIEW OF PROFILES AND PARTS	p. 5
INSTALLATION SITUATION OPTIONS	p. 6
PREPARING THE INSTALLATION	p. 6
PRE-INSTALLATION ADAPTER PROFILE	p. 7
INSTALLATION OF THE SCREEN	p. 9
FINISH WITH ADAPTER PROFILE	p. 14
SOMFY APP: MANUAL FOR ADJUSTMENTS, USE, TROUBLESHOOT	p. 15
MAINTENANCE	p. 16

## Introduction

The installation of the product must be carried out by professionals. An incorrect installation can cause damage.

It is important to notify the installer of the information in this manual.  
These instructions must be followed at all times.

Failure to comply with these instructions relieves the manufacturer of his liability obligation.  
You can always contact the Skylux technical service if you have any questions about the installation of this product.

Random interventions by unauthorised personnel for repairs or changes to the product can cause severe damage to the product or the residence.

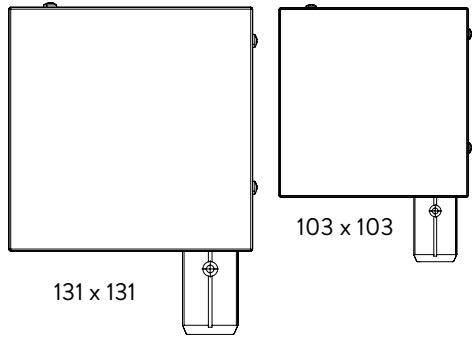
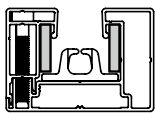
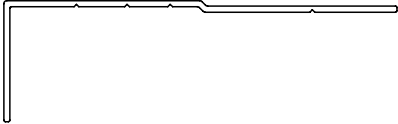


If the product installation is planned for later, the product must not be stored in a highly damp or aggressive environment.

## Use of the product

This product is meant to be used as a sunblind, this means only for protection against the sun.

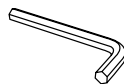
To ensure a correct use, instructions are listed in this manual.  
Using the product in any way other than the intended purpose described in this manual is incompatible with the functional specification.

## Overview of profiles and parts

	Casing
	
	VPL1342 Adapter profile
	VPL432 L-profile
	71989 Self-drilling screw 4.8 x 16

## Required tools

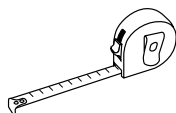
- Allen key 3



- Spirit level

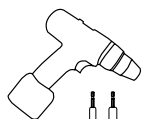


- Meter

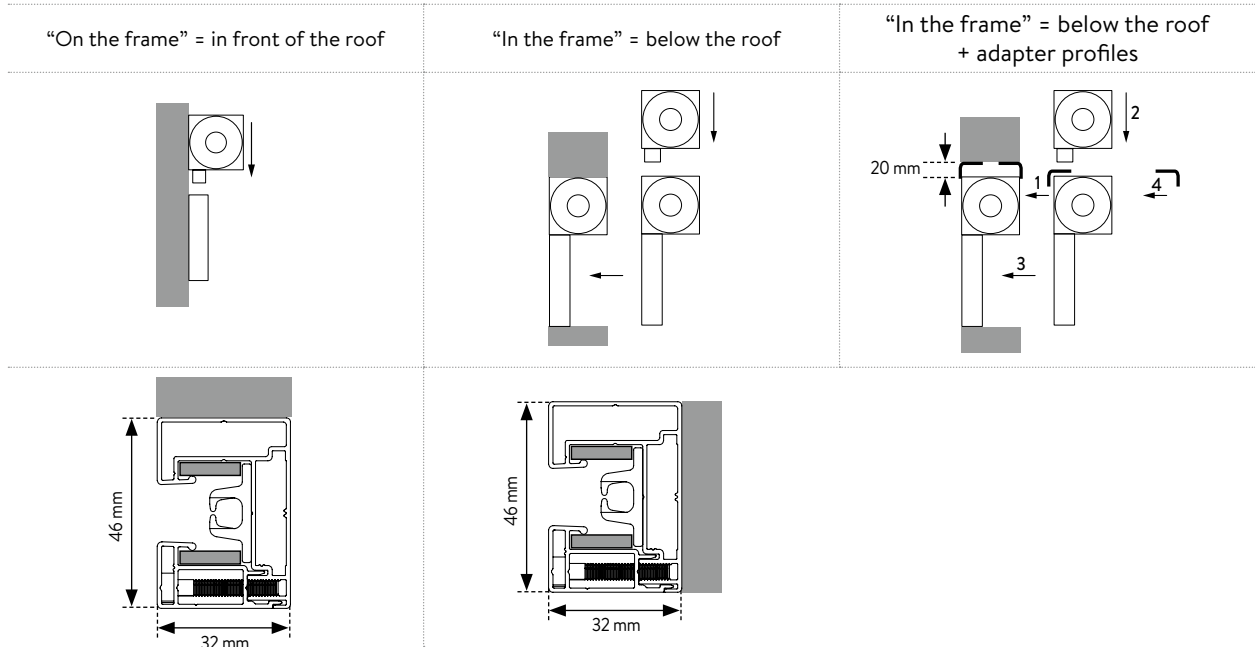


- Drill

4 mm drill  
5 mm drill  
10 mm drill  
TX25 bit

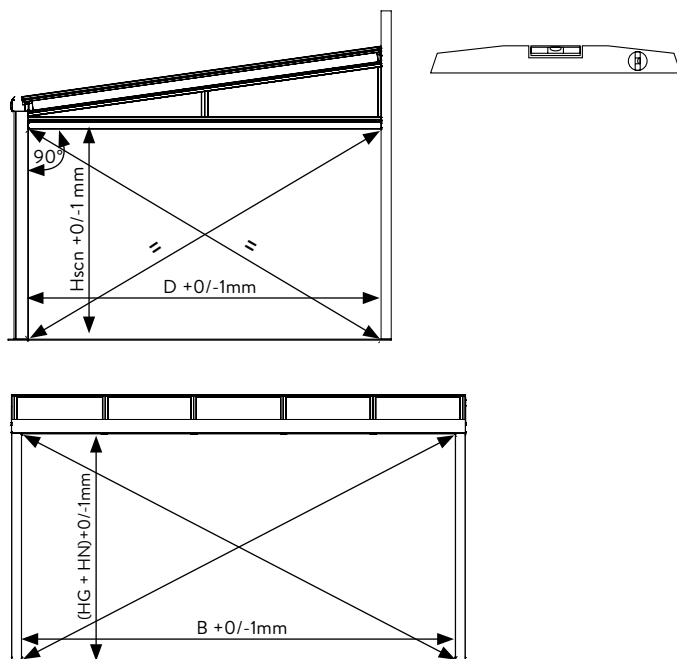


# Installation situation options



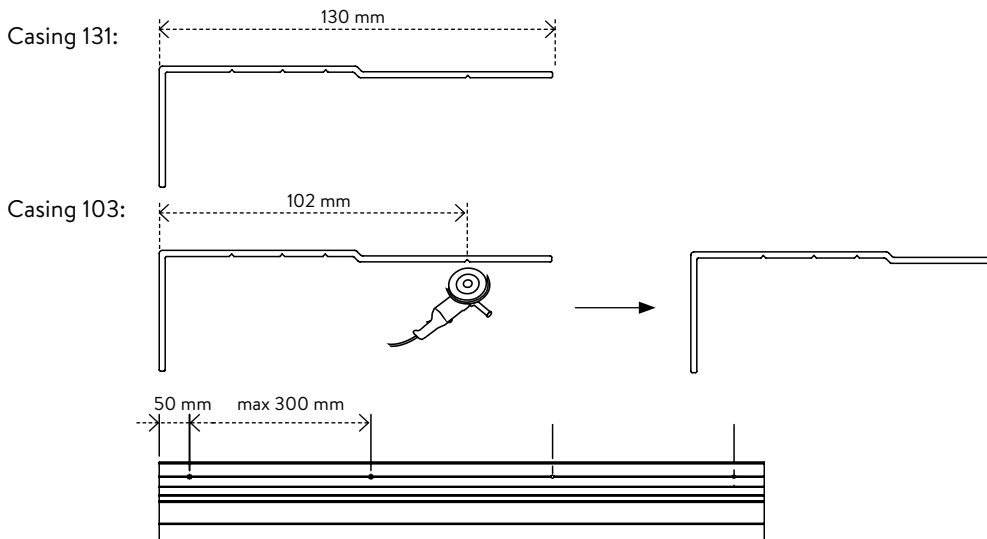
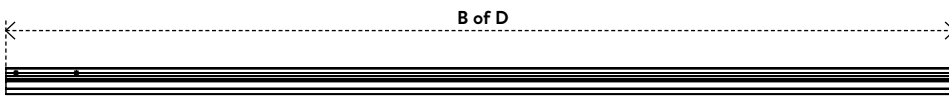
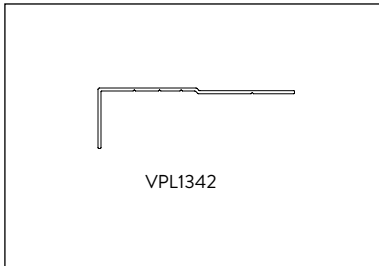
## Preparing the installation

Before attaching the rail to the posts, we advise you to recheck the measurements.

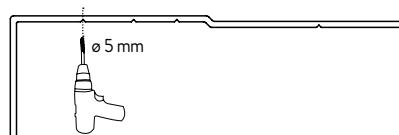


**Please make sure** that the rails are always parallel towards each other and perpendicular towards the casing. This is very important because an incorrect installation causes wrinkles in the fabric or permanent damage.

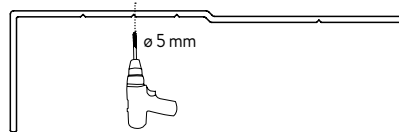
# Pre-installation adapter profile



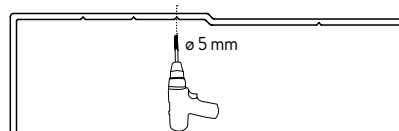
Climalux GX

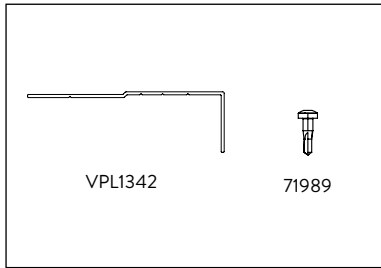


Climalux GXLX  
Climax GD1  
Side of canopy



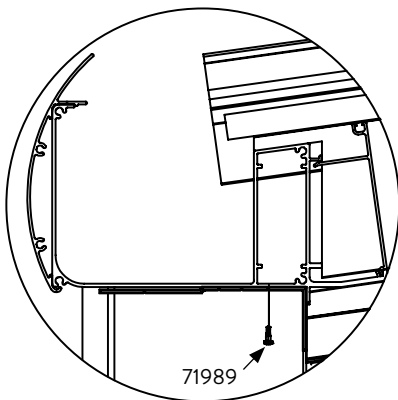
Climax Panorama GDG  
Climax GD2



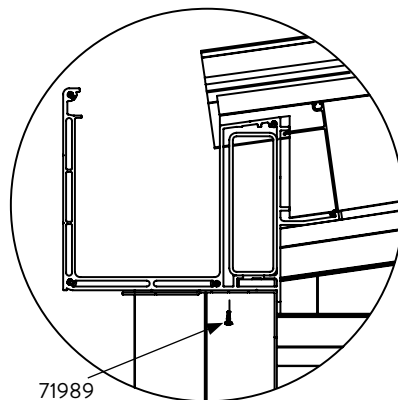


Pre-drill reinforcement profile with  $\varnothing$  4 mm.

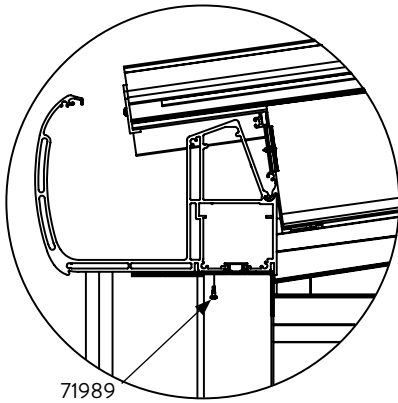
Climalux GX



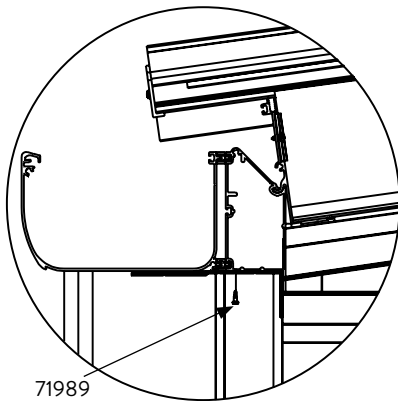
Climalux GXLX



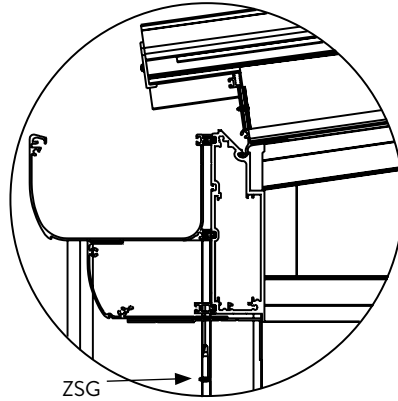
Climax Panorama



Climax GD1

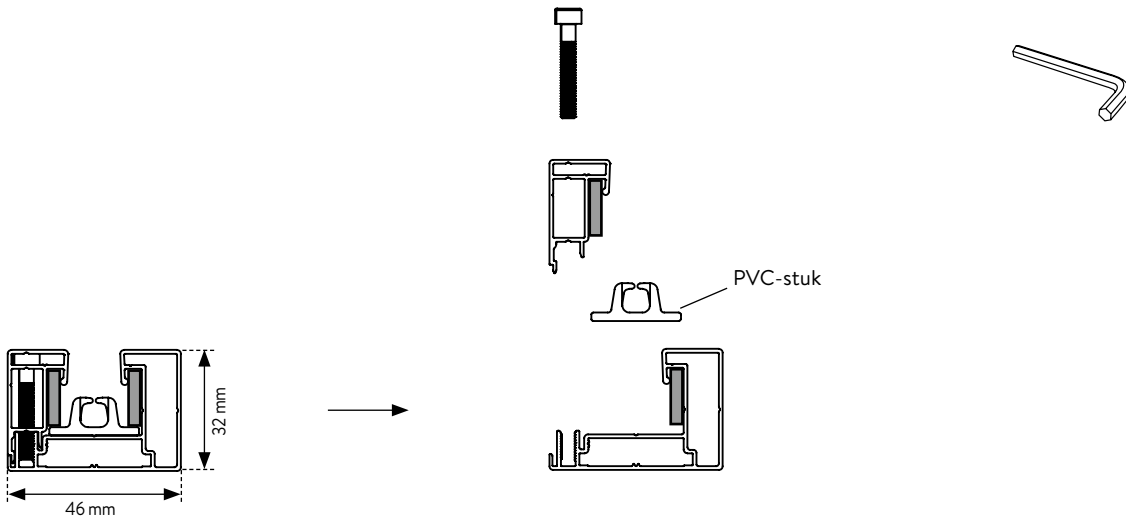


Climax GD2

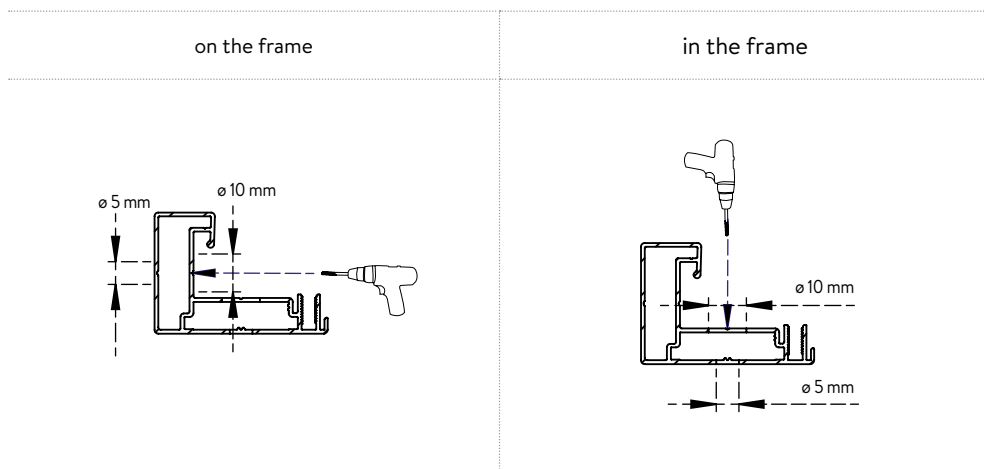




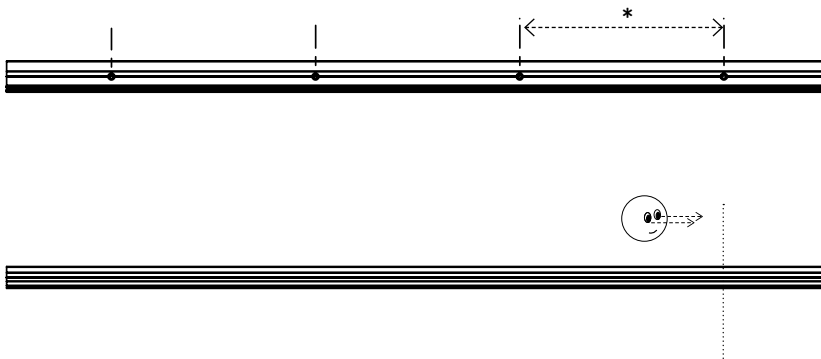
# Installation of the screen

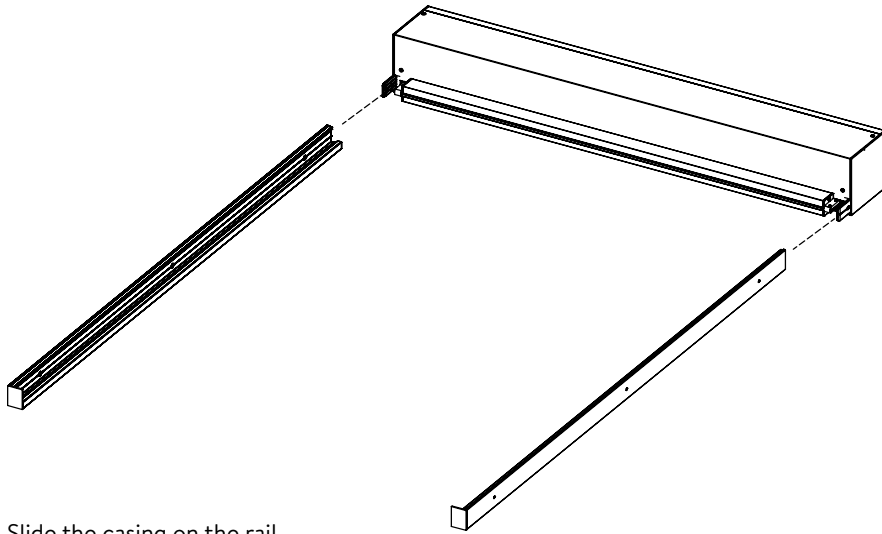


Unscrew the cover plate from the rails and take out the PVC part for the installation. Use the 3 mm Allen key.



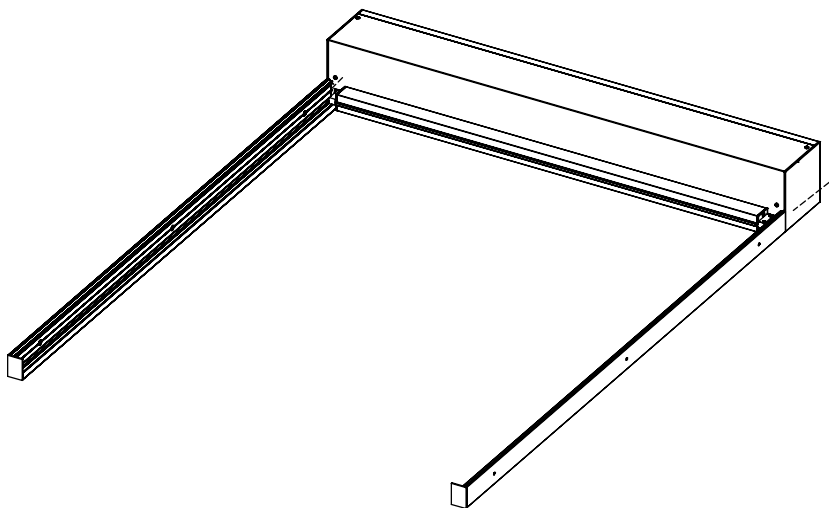
\* Depending on the installation situation (in the frame / on the frame), you must drill holes in the corresponding screw line.





Slide the casing on the rail.

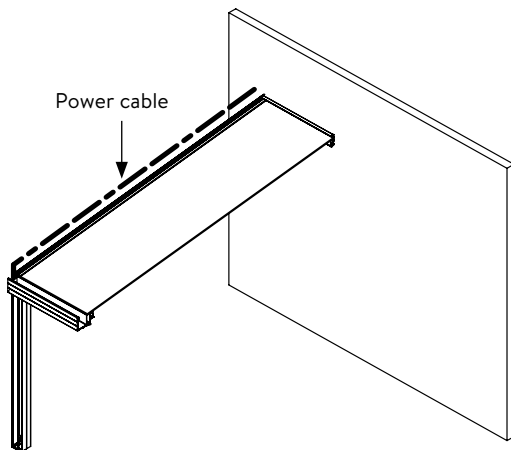
**Put the casing perpendicular on the rail. Be careful not to break the ends of the side parts!**



#### **Electric connection of the actuator**

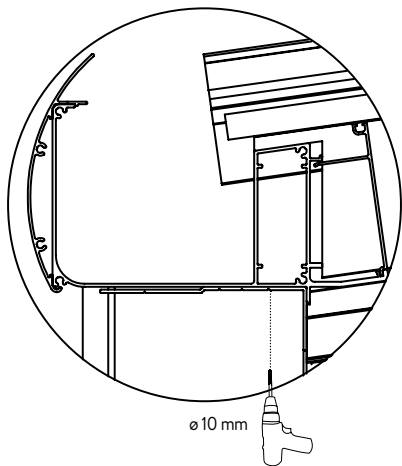
Before installing the sunblind, you need to drill a hole for the control unit (actuator).

- Check the position of the actuator cable (left or right).
- Let the power cable go through the support or next to the side clips.

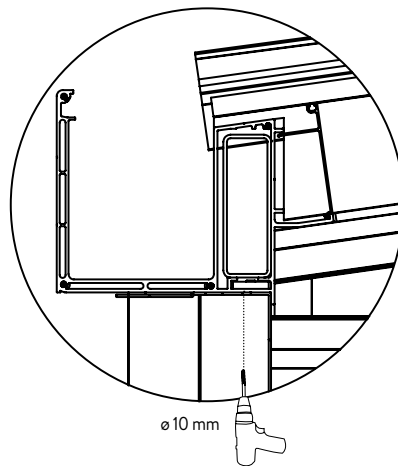


Drill a hole at +/- 20 mm from the post, through the adapter profile in the gutter in the marked position. If a reinforcement profile is used, you need to drill through this profile as well.

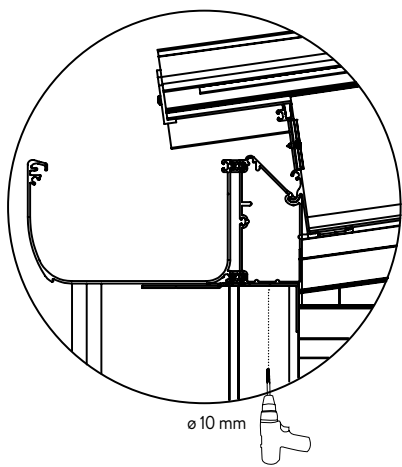
Climalux GX



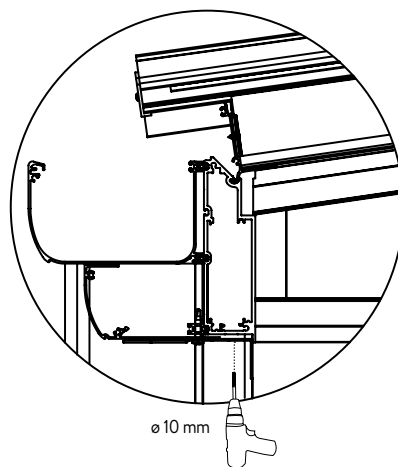
Climalux GXLX



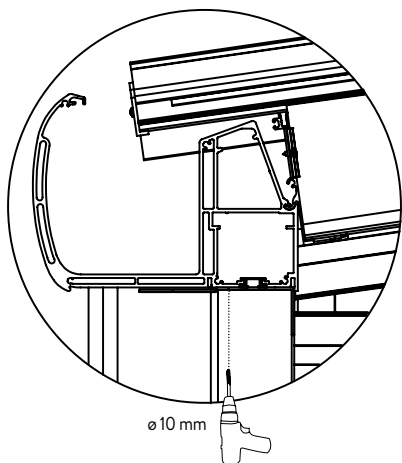
Climalux GD1

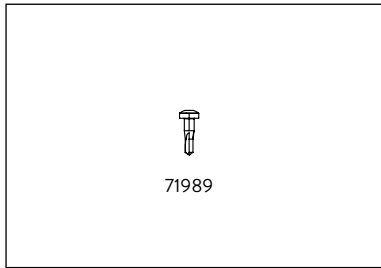


Climalux GD2

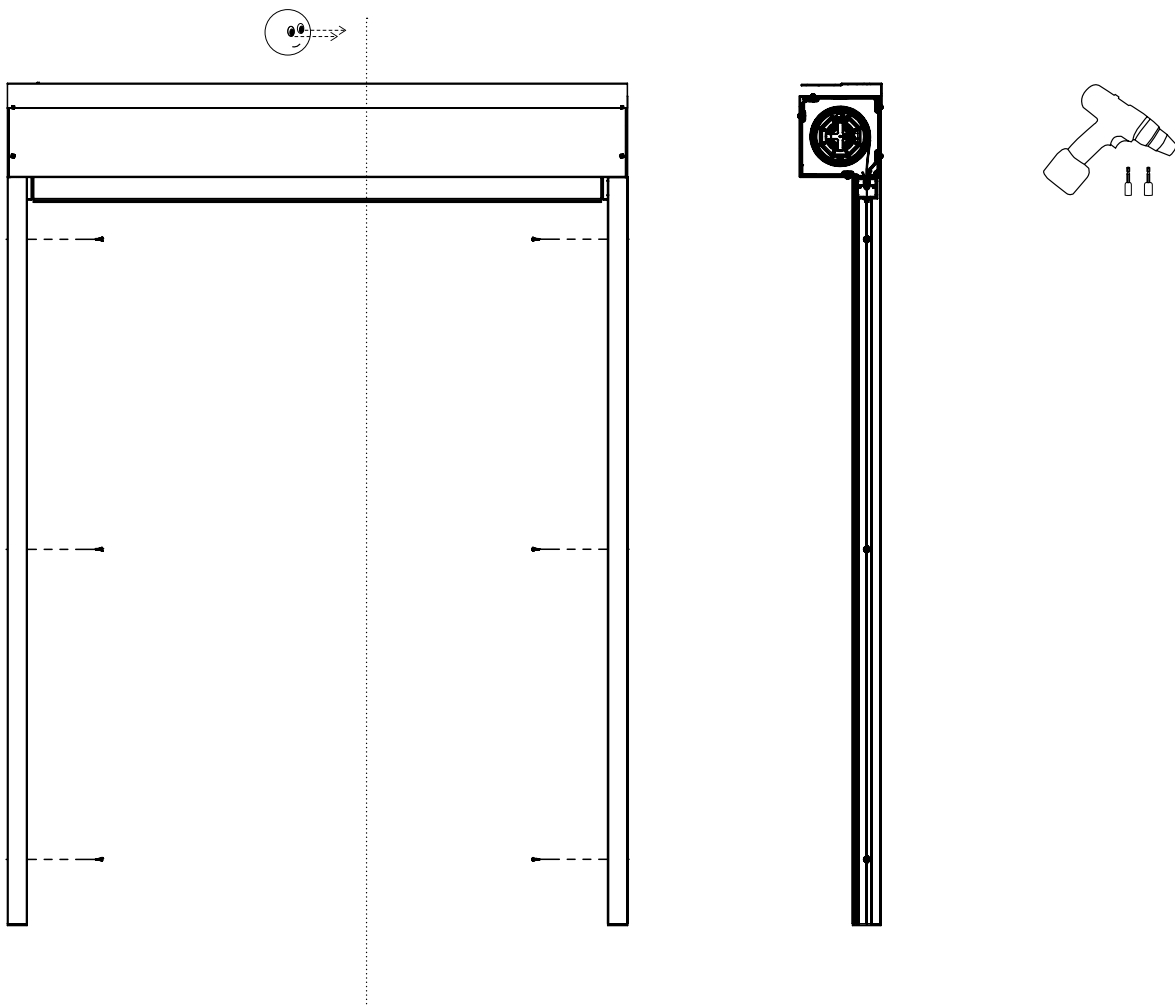


Climax Panorama





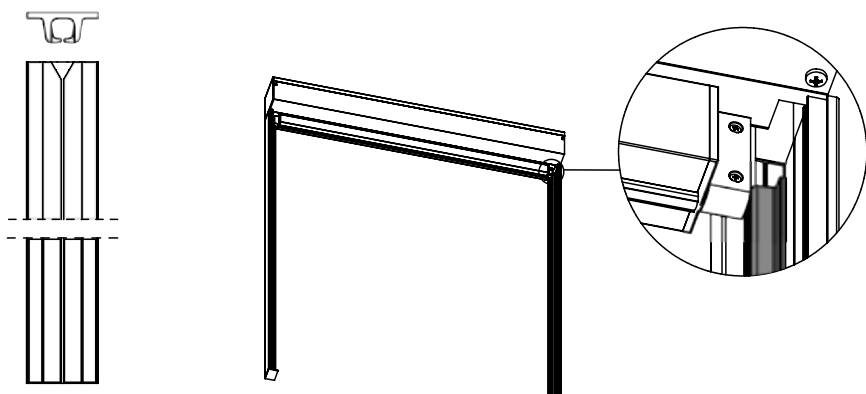
Place the blind against the adapter profile.  
Put the power cable through the drill hole.  
Secure the rails.



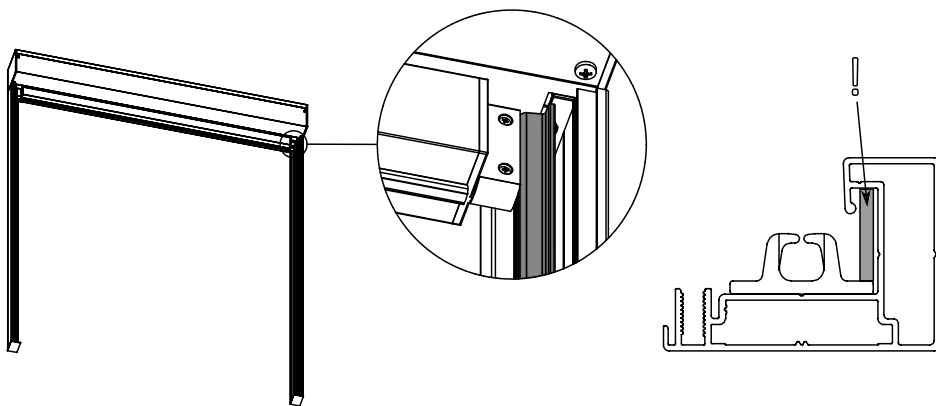
Connect the actuator cable.

- brown: phase
- blue: neutral wire
- yellow-green: ground wire

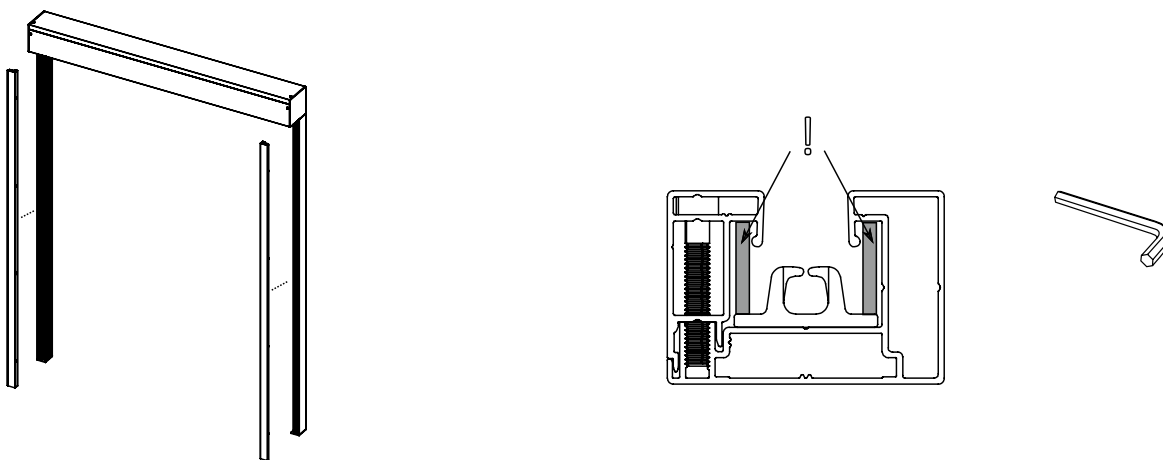
Put the side of the canvas in the PVC profile. The notch of the profile must be on top.



Slide it in the rail.



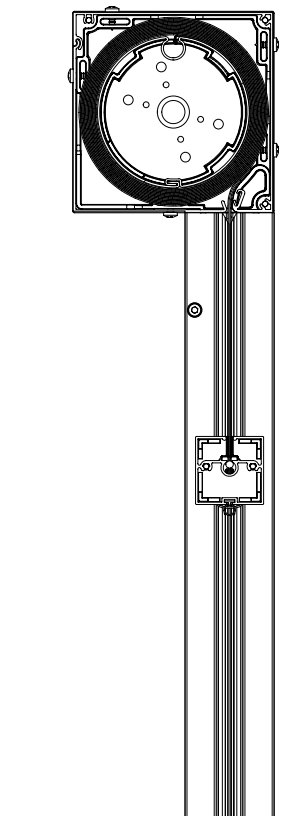
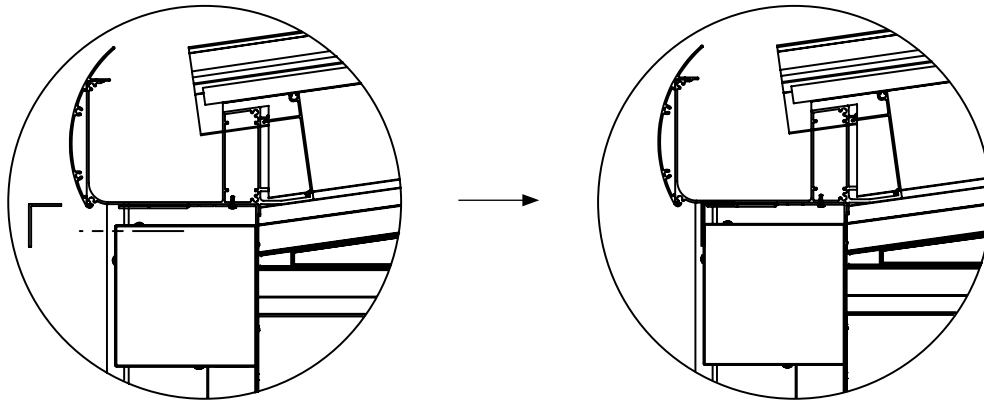
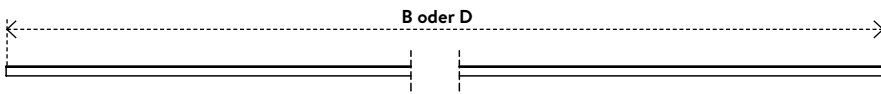
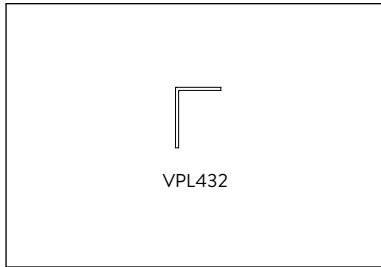
Finally, attach the cover of the rails.  
Do not fasten the screws too tightly.



### Configuration sunblind

See manual for the remote control/switch/app.

## Finish with adapter profile



# Manual for adjustments, use, troubleshoot

## Installation app - QR code:



## Installation screen

flowchart:

1. Open Somfy-help-me app
2. Choose 'initialisation'
3. Choose option 'choose from a list'
4. Choose 'Patio and exterior screens'
5. Choose option 'screen'
6. Choose option 'choose from a list'
7. Choose your control system. Possibilities:
  - a. Somfy - Situo 1 io pure II
  - b. Somfy - Situo 5 io pure II
  - c. Somfy - Smoove origin 1 io
  - d. Somfy - Smoove origin 4 io
  - e. Somfy - Sunis wirefree io
  - f. Somfy - Eolis WireFree io
8. Choose option 'choose from a list'
9. Choose option 'Sunilus'
10. Choose option 'Sunilus 50/60 io'
11. Choose 'see results'
12. Here you can find manuals for initialisation, upgrade & fine-tuning or problem solving

## Troubleshoot

### Remote control:

1. Is the remote control suited for the actuator (RTS, IO, WT ...)?
2. Is the remote control connected to the actuator?
3. Does the remote control have multiple control channels? Is it set on the right channel?
4. Did you programme a favourite position?
5. Is the battery of the remote control dead?
6. Have the actuator settings been reset which removed all settings?
7. If necessary, transfer the original actuator to a backup remote control and adjust the sunblind again.

### Sensors:

1. Is there a wind sensor (wired/wireless) that prevents the screen from being controlled because of strong wind?
2. Is there a solar sensor/rain sensor (wired/wireless)?
3. Is the screen connected to a house automation system?

### Electrical connection:

1. Did a fuse fail in the distribution box?
2. Is there damage to cables or a connector that has not been connected correctly?
3. Has the actuator been connected correctly?
  - a. Direction of rotation is correct? This can be reversed by programming.
  - a. Screen actuators cannot be in parallel! Actuators have different running times (tube diameter/screen height/end point setting). Actuators connected in parallel will always interfere with each other, resulting in voltage peaks and damage.

**Thermal safety:**

Keep in mind that tubular motors can only move up and down a few times (depending on the size of the screen before they get too hot and go in thermal safety for about 10 minutes.

**External obstacle:**

Ice formation at freezing temperatures or mechanical obstacles can cause too much resistance, causing the actuator to stop or fail.

**Installation:**

1. Are the rails parallel to each other and perpendicular on the casing?
2. Are the PVC zip rails neatly installed behind the rubber dampers in the aluminium rails?

**Fabric roll-up (open the casing if necessary):**

1. Is the fabric under slight tension in the PVC zip rail?
3. Is the fabric rolled up correctly?
4. Is the fabric nicely in the middle of the tube?
5. Does the fabric slope too much to one side?
6. Is the ballast in the fabric slat nicely distributed, or does it feel like everything has been pushed to 1 side?
7. Does the fabric falter when rolling up/unrolling?
8. Does the engine make abnormal noise at any given time?
9. Does the zipper guide nicely in the PVC zipper guides without difficulties to lower or too much tension?

**Actuator:**

1. Is the actuator type correct? And the actuator power?
2. Are the adapters between the actuator & the tube (tail & head) damaged? Some actuators use this ring to recognise their position.

## Maintenance

The casing, rails and bottom rail should be cleaned with a soft sponge or cloth, tepid water and non-aggressive cleaning products. We strongly advise against cleaning with scourers or pressure washers as they will damage the product.

The canvas must also be cleaned with a soft sponge or brush and tepid water.

Avoid rolling up the canvas when it's wet as this can cause mould. Let the canvas dry after cleaning or after rain.

The sunblind should not be used during freezing temperatures. The frost can freeze the canvas, which causes damage when the canvas is rolled up or down. We advise to roll up the sunblinds and not to use them in case of temperatures below 3° Celsius.

Failing to comply with the above mentioned maintenance and user advice voids the guarantee.

---

ONLY USE ORIGINAL PARTS SUPPLIED BY SKYLUX. FAILURE TO USE ORIGINAL PARTS VOIDS THE GUARANTEE.

THESE GUIDELINES ONLY SERVE AS ADVICE AND INFORMATION. INSTALLATION IS CONDUCTED UNDER THE SOLE RESPONSIBILITY OF THE CUSTOMER.

---

SKYLUX IS A REGISTERED BRAND OF SKYLUX  
SPINNERIJSTRAAT 100 - B-8530 STASEGEM  
T +32 (0)56 20 00 00 - F +32 (0)56 21 95 99  
INFO@SKYLUX.BE  
WWW.SKYLUX.EU

