

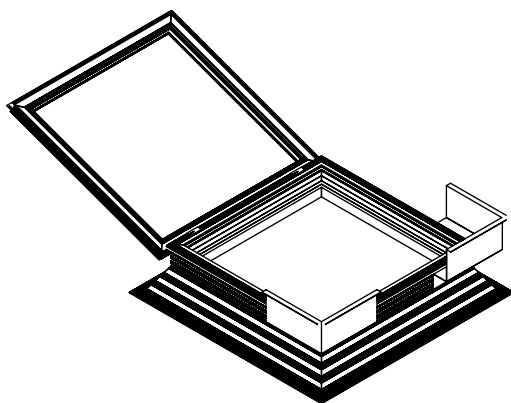
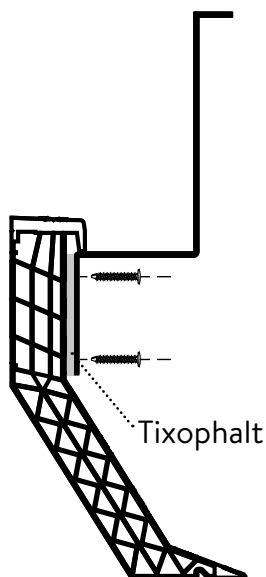
Mounting instructions outer spoilers for Skylux 160°CE and Skymax CE

The efficiency of your smoke vent system is improved by the installation of spoilers. Spoilers prevent turbulence and stimulate the chimney effect.

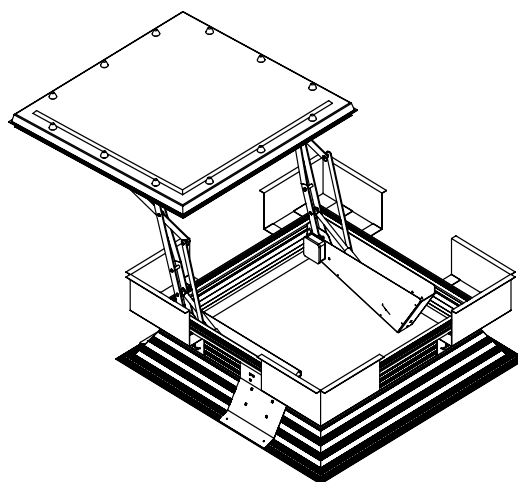
The spoilers are fixed once the curb is finished and sealed. They are fixed on the opening side of both corners (Skylux® 160°CE) or on the 4 corners (Skymax® CE) under the flange of the curb (see picture) The surface of the spoiler that comes into contact with the curb is covered with Tixophalt or another sealing which is compatible with the roof sealing.

Mounting on a PVCu curb

The fixation of a spoiler on a PVCu curb must be done with the delivered hilo screws (24 or 48 pieces – 5,2 x 42 mm) in the foreseen holes Ø 5 mm. Seal the screwheads with Tixophalt.



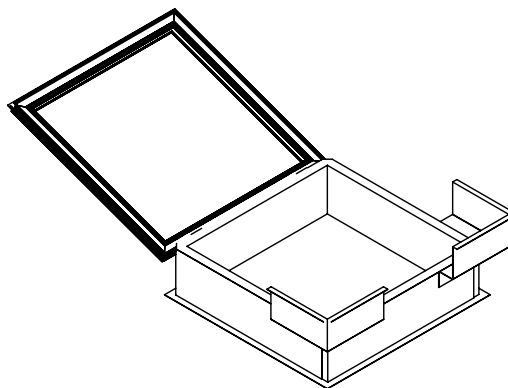
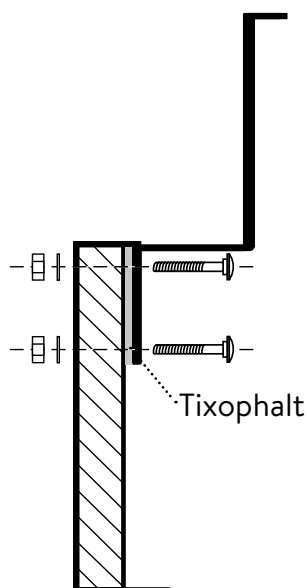
Skylux® 160° CE - 2 spoilers



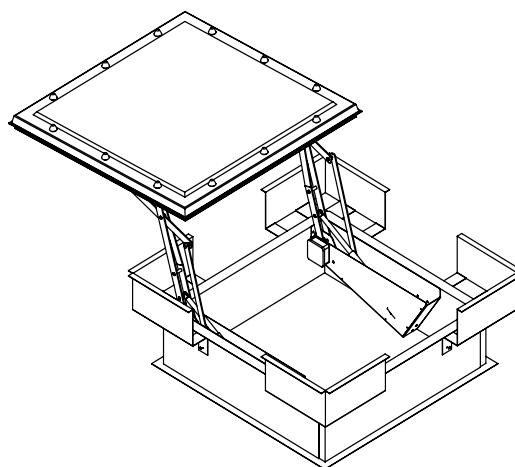
Skymax® CE - 4 spoilers

Mounting on a metal curb

The fixation of a spoiler on a metal curb must be done with the delivered bolts (4 or 6 pieces/spoiler – M8 x 55 mm) with plain washers and safety nuts in the square holes of the spoiler. Position the spoiler in the corner of the curb against the top flange and drill with a Ø 8 mm in the square holes through the curb. Fix the screw bolt from the outside in the curb. Fix the plain washer and safety nut on the inside. Seal the boltheads.



Skylux® 160° CE - 2 spoilers



Skymax® CE - 4 spoilers