



NL / FR / EN / DE

Skylux[®]

**verduisteringsgordijn / store d'occultation /
blackout blind / Verdunkelungsrollo**

Montagehandleiding

Notice de pose

Mounting instructions

Montageanleitung

Art.N° 61258


SKYLUX[®]
Hello daylight!

Warnings

Installers: installation must be performed by trained technicians with sufficient knowledge of and experience in the installation of roof windows.

Original parts: only use original parts and install them according to the assembly instructions.

Skylux reserves the right to modify this product or these instructions without prior notice. Changes to the assembly instructions or to the product carry no right to compensation or exchange of parts. The most recent version of these instructions can be consulted at any time at www.skylux.be.

Safety

Take the necessary and required safety precautions, such as safety nets and lifelines when installing from the outside, safety goggles, gloves, hard hat, etc.
Do not step on the glass.

Falling from height



- When using ladders to go on the roof:
 - Ladder in good condition?
 - Set up correctly at an angle of 75°?
 - Secured below and on top against moving?
 - Don't take heavy material with you on the ladder (3-point contact rule)! If possible, use a crane to lift the material.
- Do not lift material over the roof edge; use a crane to put the material on the roof.
- Roof zone: make sure the part of the roof where the roof window will be installed is safe enough, e.g. secure the edge (support system in the roof gutter that supports against the outer wall of the building, with suitable A B C categorie depending on the roof pitch) or use a scaffold so no one can fall off the roof. If the roof is not safe enough, always use a harness with lifeline (adapted to the fall height), attached to a suitable attachment point.
- Make sure the roof is stable and does not have dangerous openings or insufficient secure parts (e.g. corrugated sheets, ...). Take the necessary measures if this is not the case: strengthen, use suitable safety nets below the danger zones, ...
- Before making the roof opening for the roof window: make sure there are safety nets conform to the current legislation. The nets must be attached firmly and sufficiently to the building.
- When using an aerial work platform: always wear and secure your harness (mandatory)! Leaving the cage is forbidden.
- Never walk backwards on a roof, always walk forwards.
- Make sure there's enough light in the working zone.



Low-hanging obstacles and falling loads



- Forbidden to walk under or within a radius of 1 m of a hanging or lifted load.
- Demarcate the danger zone below the roof window, in the building as well as on the outside near the outer walls (in case material slides off the roof). If the zone is demarcated, people cannot be hit by any falling loads. It's prohibited to enter these danger zones during construction.



Crushing hazard

- All working tools are in good condition, provided with a valid CE label and all necessary safety regulations. These cannot be removed.
- People who use these working tools are educated for this purpose. Protections are always present on all working tools. They are in good condition and need to be set correctly.



Tripping/falling

- Safety is key and it begins with order and tidiness. Clean everything immediately, leave nothing lying around.
- Trash needs to be sorted.
- Be cautious with electric cables (danger of tripping/falling). Never walk backwards!
- Make sure there's enough light in the working zone.



Sharp objects

- Make sure your fingers/hands are not pinched and watch out for cuts while handling roof window parts.
- Be careful where you put your hands during the installation.
- Wearing cut-resistant gloves is mandatory.



Ergonomics

- Always lift loads correctly: bend your knees, move your feet instead of forcing your spine, lift as close to your body as possible.
- Parts of more than 25 kg must be lifted with at least 2 persons.



Personal protective equipment



- Work clothes, safety shoes and helmet are mandatory for everyone.



- Lifeline and harness are mandatory if the edge is not secured enough or if there are no safety nets below the roof window. They are also necessary when using an aerial working platform.

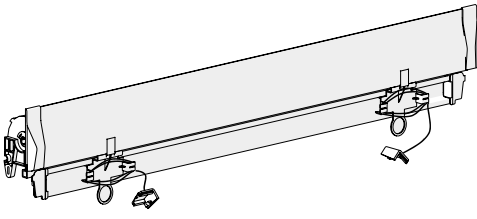
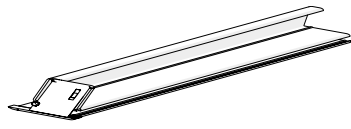

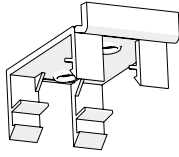


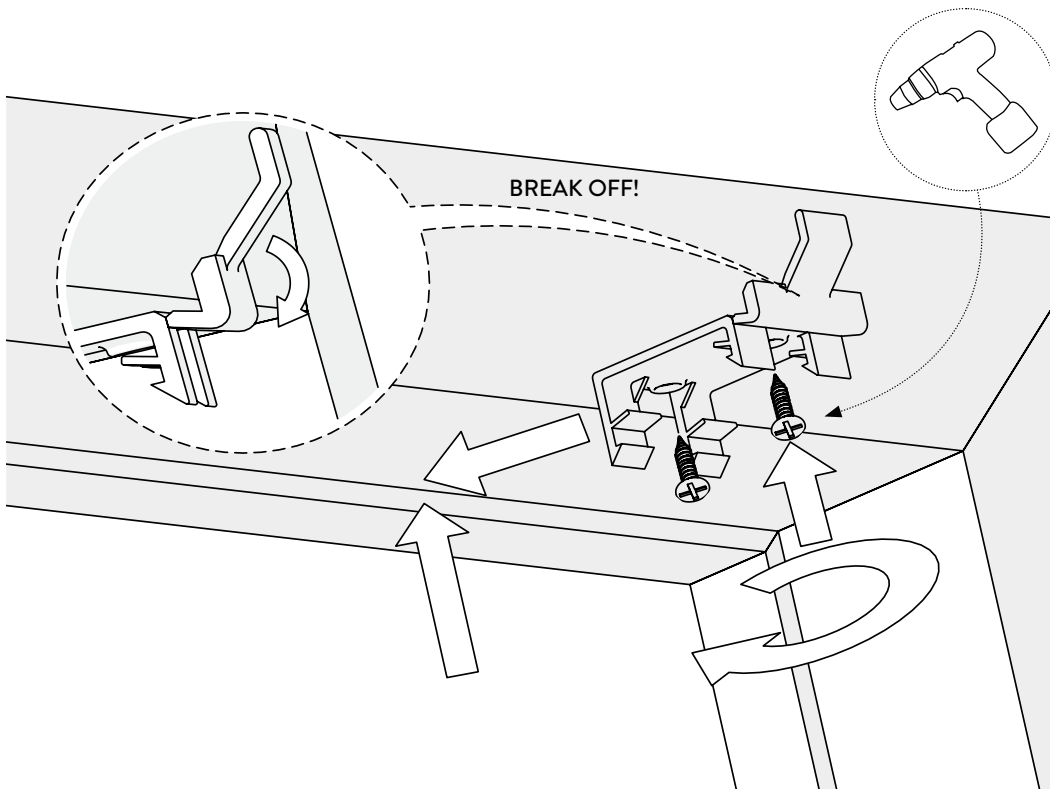
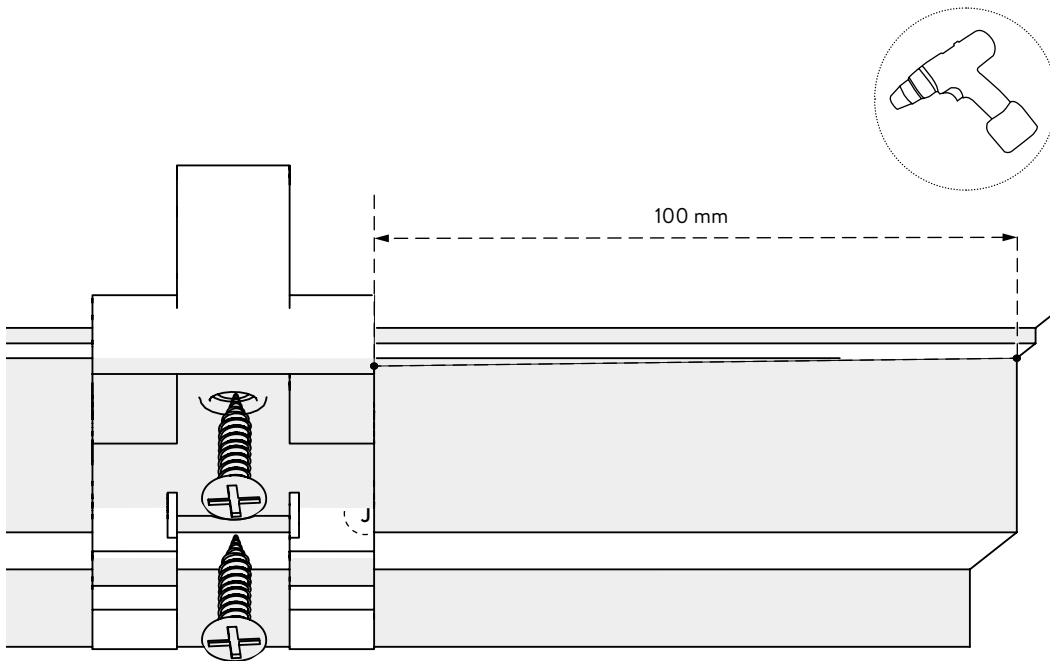
- Use gloves when handling roof window parts.

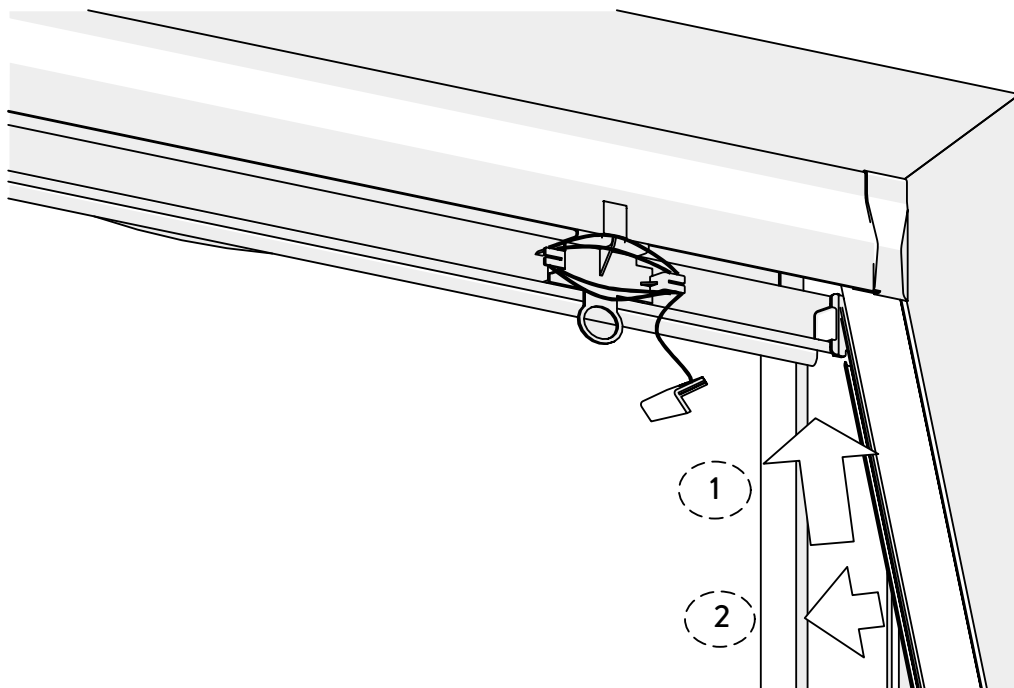
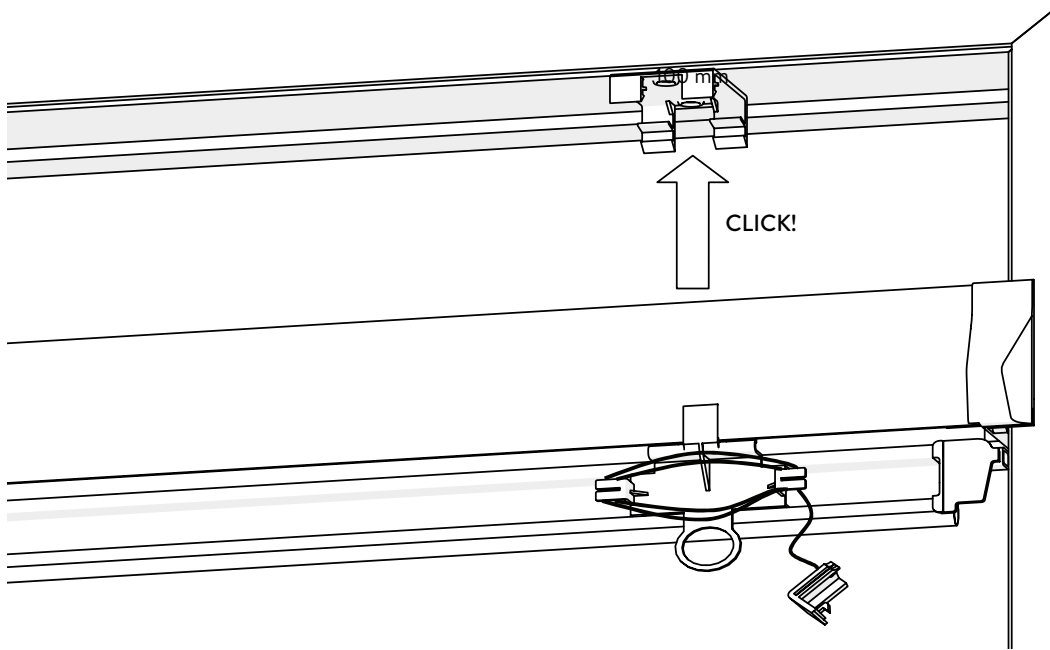


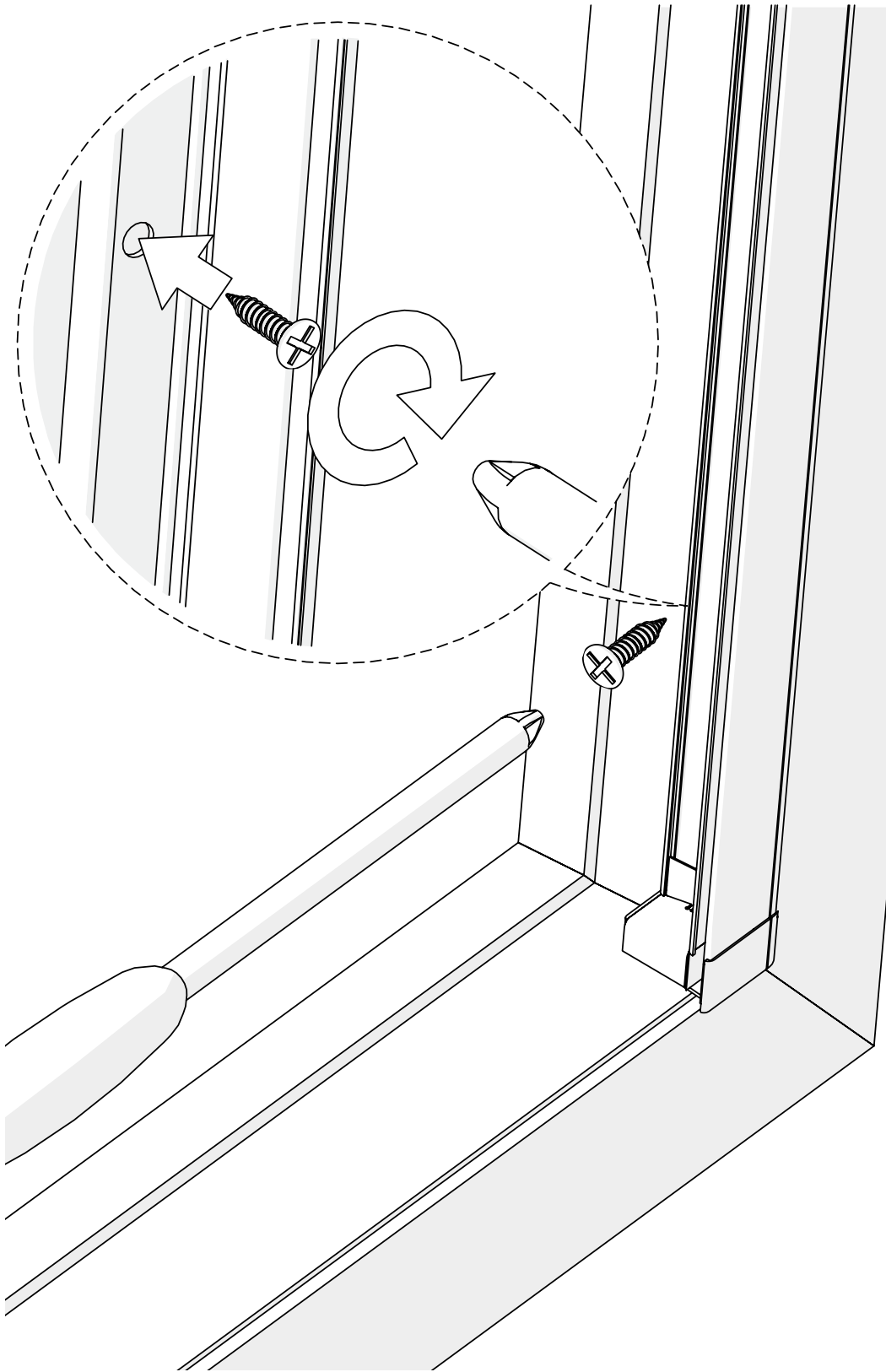
- Safety glasses and hearing protection are mandatory when using saws / grinders.

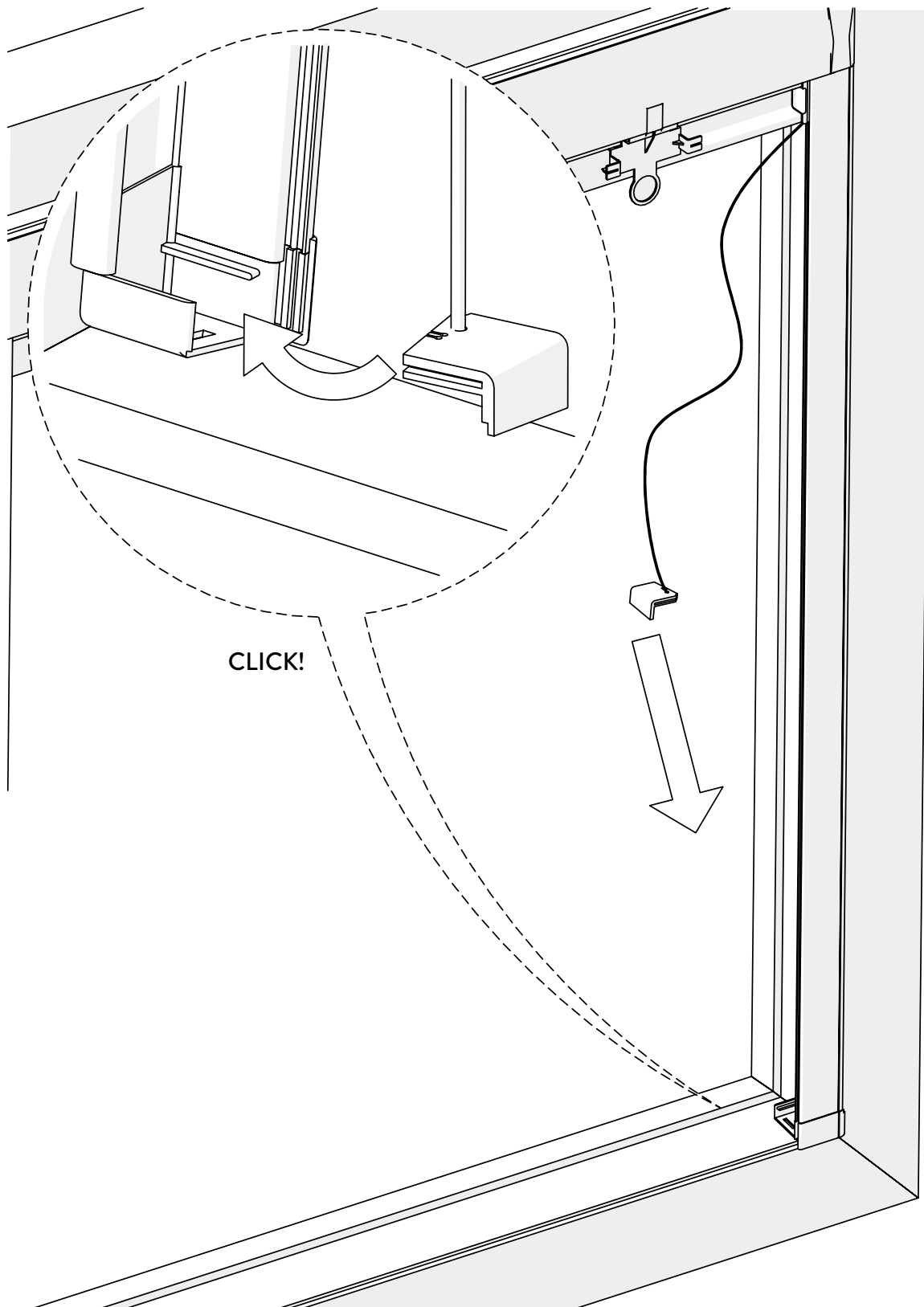
If in doubt: STOP! Do not take unnecessary risks. Ask your supervisor if needed.

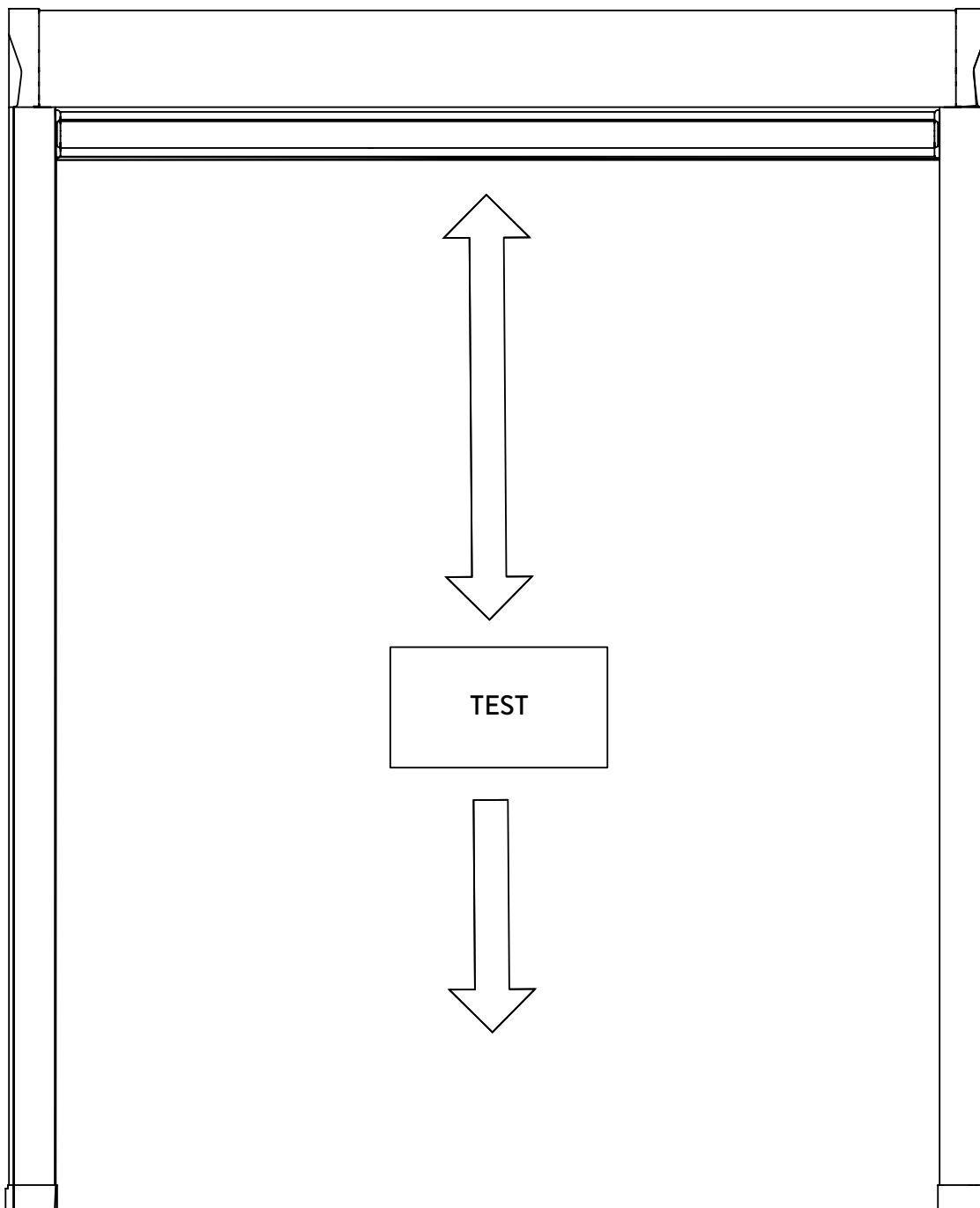
	<p>61254</p>	<p>Cassette (1x) Coffre (1x) Gehäuse (1x)</p>
	<p>61255</p>	<p>Zijdelingse geleider (2x) Rail latéral (2x) Side rail (2x) Seitliche Führungsschiene (2x)</p>
	<p>61256</p>	<p>Schroef Vis Screw Schraube</p>
	<p>61257</p>	<p>Clip (2x)</p>











Indien het gordijn scheeftrekt of terug naar boven rolt, kan de spanning bijgesteld worden via het touwtje.

Si le store occultant est incliné ou ne se ferme plus, vous pouvez régler la tension via la petite corde.

If the blackout blind is uneven or doesn't stay in position, the tension can be adjusted by using the small cord.

Wenn das Verdunkelungsrollo schief hängt oder nicht mehr hält, kann die Spannung über die kleine Schnur angepasst werden.

GEBRUIK ALLEEN DOOR SKYLUX GELEVERDE ORIGINELE ONDERDELEN. BIJ GEBRUIK VAN NIET-ORIGINELE ONDERDELEN VERVALT DE GARANTIE.
UTILISEZ UNIQUEMENT LES PIÈCES DÉTACHÉES ORIGINALES SKYLUX. SI VOUS UTILISEZ DES PIÈCES NON ORIGINALES, VOUS N'AVEZ PLUS DROIT À LA GARANTIE.
VERWENDEN SIE NUR SKYLUX ORIGINALUNTERTEILE. BEI GEBRAUCH VON NICHT ORIGINALEN UNTERTEILEN, VERFÄLLT JEDE GARANTIE.
ONLY USE ORIGINAL SKYLUX SPARE PARTS. THE GUARANTEE EXPIRES WHEN YOU USE NON-ORIGINAL PARTS.

SKYLUX IS A REGISTERED BRAND OF SKYLUX
SPINNERIJSTRAAT 100 - B-8530 STASEGEM
T +32 (0)56 20 00 00 - F +32 (0)56 21 95 99
INFO@SKYLUX.BE
WWW.SKYLUX.BE

