

EN

# Skylux<sup>®</sup> electric screen 230V

Mounting instructions

  
**SKYLUX**  
*Hello daylight!*

# CONTENT

---

SAFETY	p. 3
OVERVIEW PROFILES AND PARTS	p. 5
NECESSARY TOOLS	p. 5
DIMENSIONS AND POSITION OF THE ELECTRIC SCREEN	p. 6
PREPARATION	p. 6
INSTALLATION	p. 6
CONTROL	p. 16

# SAFETY

Take the necessary and required safety precautions, such as safety nets and lifelines when installing from the outside, safety goggles, gloves, hard hat, etc.  
Do not step on the glass.



## Falling from height

- When using ladders to go on the roof:
  - Ladder in good condition?
  - Set up correctly at an angle of 75°?
  - Secured below and on top against moving?
  - Don't take heavy material with you on the ladder (3-point contact rule)! If possible, use a crane to lift the material.
- Do not lift material over the roof edge; use a crane to put the material on the roof.
- Roof zone: make sure the part of the roof where the skylight/barrel vault will be installed is safe enough, e.g. secure the edge (support system in the roof gutter that supports against the outer wall of the building, with suitable A B C category depending on the roof pitch) or use a scaffold so no one can fall off the roof. If the roof is not safe enough, always use a harness with lifeline (adapted to the fall height), attached to a suitable attachment point.
- Make sure the roof is stable and does not have dangerous openings or insufficient secure parts (e.g. corrugated sheets, ...). Take the necessary measures if this is not the case: strengthen, use suitable safety nets below the danger zones, ...
- Before making the roof opening for the skylight/barrel vault: make sure there are safety nets conform to the current legislation. The nets must be attached firmly and sufficiently to the building.
- When using an aerial work platform: always wear and secure your harness (mandatory)! Leaving the cage is forbidden.
- Never walk backwards on a roof, always walk forwards.
- Make sure there's enough light in the working zone.



## Low-hanging obstacles and falling loads

- Forbidden to walk under or within a radius of 1m of a hanging or lifted load.
- Demarcate the danger zone below the skylight/barrel vault, in the building as well as on the outside near the outer walls (in case material slides off the roof). If the zone is demarcated, people cannot be hit by any falling loads. It's prohibited to enter these danger zones during construction.



## Crushing hazard

- All working tools are in good condition, provided with a valid CE label and all necessary safety regulations. These cannot be removed.
- People who use these working tools are educated for this purpose. Protections are always present on all working tools. They are in good condition and need to be set correctly.



## Tripping/falling

- Safety is key and it begins with order and tidiness. Clean everything immediately, leave nothing lying around.
- Trash needs to be sorted.
- Be cautious with electric cables (danger of tripping/falling). Never walk backwards!
- Make sure there's enough light in the working zone.



### Sharp objects

- Make sure your fingers/hands are not pinched and watch out for cuts while handling skylights or barrel vaults.
- Be careful where you put your hands during the installation.
- Wearing cut-resistant gloves is mandatory.



### Ergonomics

- Always lift loads correctly: bend your knees, move your feet instead of forcing your spine, lift as close to your body as possible.
- Parts of more than 25kg must be lifted with at least 2 persons.

### Personal protective equipment

- Work clothes, safety shoes and helmet are mandatory for everyone.



- Lifeline and harness are mandatory if the edge is not secured enough or if there are no safety nets below the roof opening. They are also necessary when using an aerial working platform.



- Use gloves when handling skylight or barrel vault parts..



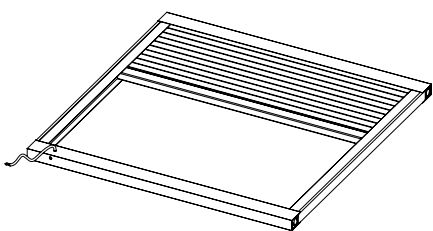
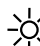


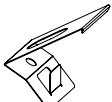
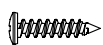


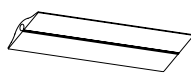


- Safety glasses and hearing protection are mandatory when using saws / grinders.



**Always perform a Last Minute Risk Analysis!**





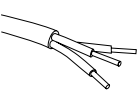


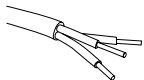
**If in doubt: STOP! Do not take unnecessary risks. Ask your supervisor if needed.**

# OVERVIEW PROFILES AND PARTS

	#	Electric screen 230V Possibilities: Sunblind  Blackout blind  Insect screen 
	77375	Leaf spring
	5115	HiLo screw 25mm PH2 - for installation in PVC curb
	78278	Rivet white 5.6mm Ø 5mm - for installation in polyester (GRP) curb
	78179	Roll of tape 2mm 10m (optional use)
	30474 (optioneel)	Cutttable covering rubber for cable 50cm
	78267	Mounting instructions electric screen 230V
	110751	Remote control

Depending on its dimensions, the screen starts on the short or long side.

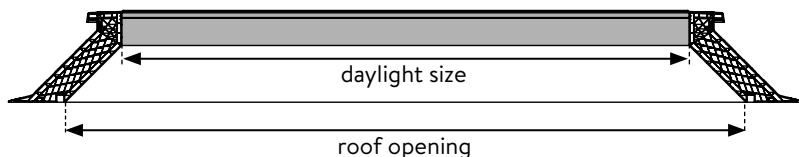
## NECESSARY TOOLS

PVC curb	GRP curb
	
Ø 9 	
230V 	Ø 5 
	Ø 9 
	230V 

# DIMENSIONS AND POSITION OF THE ELECTRIC SCREEN

## General:

The dimensions of the electric screen depend on the **daylight size** of the curb. The electric screen is to be installed **in the daylight size, at the top of the curb.**



## Curb requirements:

It is important that the curb and its daylight size are **perpendicular** and have **no deformations**.

**Correct:** perpendicular and no deformations



**Wrong:** not perpendicular and deformations



# PREPARATION

The electric screen must always be **installed on the inside** of the skylight's curb.

## General:

During the installation and possible plasterboard finish for the ceiling and the curb, the **accessibility** and possible removal of the electric screen afterwards must be taken into account. This is to ensure a good service afterwards. Removing the screen afterwards via the top or outside of the skylight is not possible.

## Finish:

Provide the necessary details for any further finish the inside of the curb.

The standard finish is done with plasterboard up to the roof opening, and up to the provided lining groove at the bottom of the curb if applicable.

If a higher finish with plasterboard is desired, a distance of at least 20mm must be left between the top side of the plasterboard and the bottom of the electric screen. The customer must always remove the plasterboard if service is needed and/or if the electric screen must be removed.

The charging port must also always be accessible.

# INSTALLATION

Remove everything from the packaging.

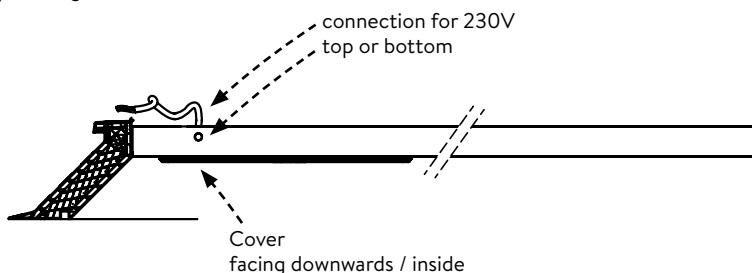
Do not use a utility knife to prevent any damage.



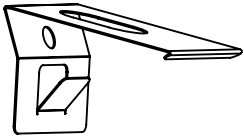
## Orientation of the electric screen

Orientation top / bottom:

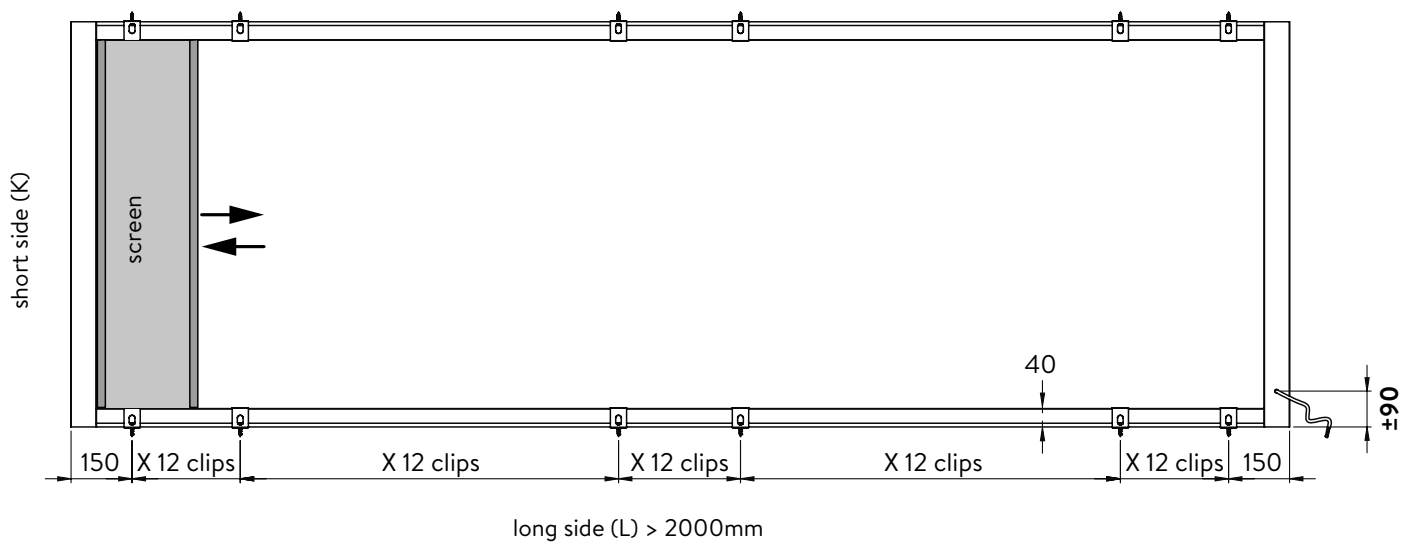
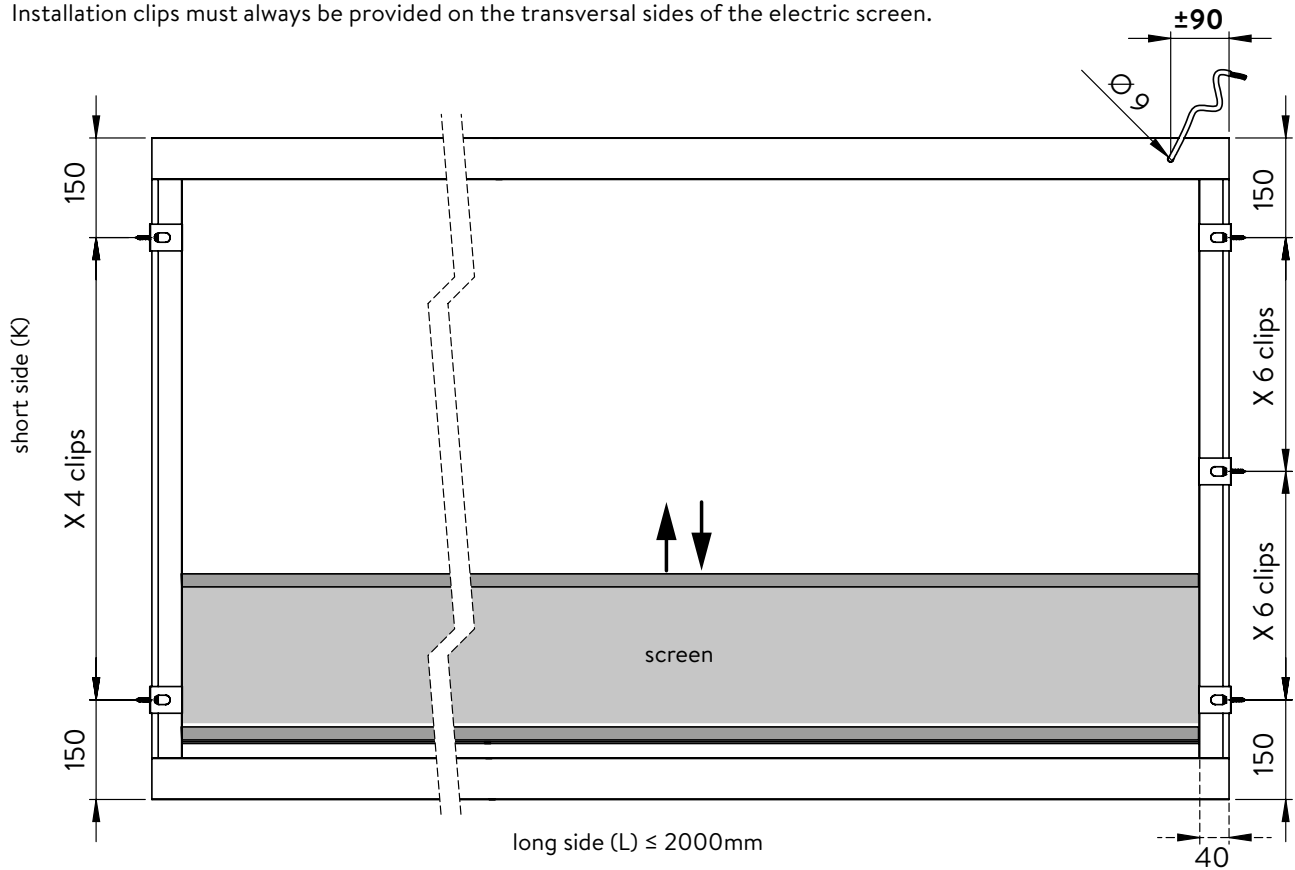
Cover with keypad  
always on the bottom



## Installing the installation clips



Position and number of installation clips:  
Installation clips must always be provided on the transversal sides of the electric screen.



### Intermediate distance X

daylight size	from K = short side	number of clips	# clips per side	between start and -1	between 1-2	between 2-3	between 3-4	between 4-5	between 5-6	between 6 - end
400 x 400		4	2	150	100					150
400 x 700		4	2	150	100					150
400 x 1000		4	2	150	100					150
400 x 1300		4	2	150	100					150
400 x 1400		4	2	150	100					150
400 x 1600		4	2	150	100					150
400 x 1900		4	2	150	100					150
400 x 2200	K	12	6	150	133	668	300	668	133	150
400 x 2800	K	12	6	150	199	901	300	901	199	150
450 x 1050		4	2	150	150					150
470 x 470		4	2	150	170					150
500 x 500		4	2	150	200					150
500 x 700		4	2	150	200					150
500 x 800		4	2	150	200					150
500 x 1000		4	2	150	200					150
500 x 1100		4	2	150	200					150
500 x 1400		4	2	150	200					150
500 x 1700		4	2	150	200					150
500 x 2000		4	2	150	200					150
500 x 2300	K	12	6	150	166	684	300	684	166	150
550 x 550		6	3	150	125	125				150
600 x 600		6	3	150	150	150				150
600 x 800		6	3	150	150	150				150
600 x 900		6	3	150	150	150				150
600 x 1200		6	3	150	150	150				150
600 x 1300		6	3	150	150	150				150
600 x 1500		6	3	150	150	150				150
600 x 1600		6	3	150	150	150				150
600 x 1800		6	3	150	150	150				150
600 x 2000		6	3	150	150	150				150
700 x 700		6	3	150	200	200				150
700 x 1000		6	3	150	200	200				150
700 x 1300		6	3	150	200	200				150
700 x 1500		6	3	150	200	200				150
700 x 1600		6	3	150	200	200				150
700 x 2000		6	3	150	200	200				150
700 x 2200	K	12	6	150	133	668	300	668	133	150
750 x 750		6	3	150	225	225				150
750 x 1050		6	3	150	225	225				150
750 x 1250		6	3	150	225	225				150
750 x 1650		6	3	150	225	225				150
750 x 1750		6	3	150	225	225				150
750 x 2250	K	12	6	150	149	676	300	676	149	150
800 x 800		6	3	150	250	250				150
800 x 1100		6	3	150	250	250				150
800 x 1200		6	3	150	250	250				150
800 x 1300		6	3	150	250	250				150
800 x 1400		6	3	150	250	250				150
800 x 1600		6	3	150	250	250				150
800 x 1700		6	3	150	250	250				150

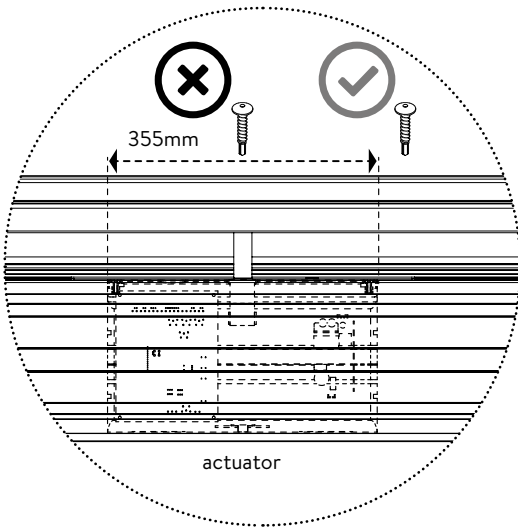


**Intermediate distance X**

daylight size	from K = short side	number of clips	# clips per side	between start and -1	between 1-2	between 2-3	between 3-4	between 4-5	between 5-6	between 6 - end
800 x 1800		6	3	150	250	250				150
800 x 2000		6	3	150	250	250				150
800 x 2200	K	12	6	150	133	668	300	668	133	150
800 x 2300	K	12	6	150	166	684	300	684	166	150
800 x 2500	K	12	6	150	233	718	300	718	233	150
800 x 2800	K	12	6	150	199	901	300	901	199	150
850 x 850		6	3	150	275	275				150
900 x 900		6	3	150	300	300				150
900 x 1200		6	3	150	300	300				150
900 x 1500		6	3	150	300	300				150
900 x 1800		6	3	150	300	300				150
900 x 2100	K	12	6	150	99	651	300	651	99	150
1000 x 1000		6	3	150	350	350				150
1000 x 1300		6	3	150	350	350				150
1000 x 1500		6	3	150	350	350				150
1000 x 1600		6	3	150	350	350				150
1000 x 1800		6	3	150	350	350				150
1000 x 2000		6	3	150	350	350				150
1000 x 2200	K	12	6	150	133	668	300	668	133	150
1000 x 2300	K	12	6	150	166	684	300	684	166	150
1000 x 2500	K	12	6	150	233	718	300	718	233	150
1000 x 2800	K	12	6	150	199	901	300	901	199	150
1000 x 3000	K	12	6	150	266	934	300	934	266	150
1050 x 1050		12	6	150	150	150	150	150	150	150
1050 x 1650		12	6	150	150	150	150	150	150	150
1050 x 2250	K	12	6	150	149	676	300	676	149	150
1100 x 1100		12	6	150	160	160	160	160	160	150
1100 x 1400		12	6	150	160	160	160	160	160	150
1100 x 1700		12	6	150	160	160	160	160	160	150
1100 x 2300	K	12	6	150	166	684	300	684	166	150
1200 x 1200		12	6	150	180	180	180	180	180	150
1200 x 1400		12	6	150	180	180	180	180	180	150
1200 x 1500		12	6	150	180	180	180	180	180	150
1200 x 1800		12	6	150	180	180	180	180	180	150
1200 x 2100	K	12	6	150	99	651	300	651	99	150
1300 x 1300		12	6	150	200	200	200	200	200	150
1300 x 1600		12	6	150	200	200	200	200	200	150
1300 x 1900		12	6	150	200	200	200	200	200	150
1400 x 1400		12	6	150	220	220	220	220	220	150
1500 x 1500		12	6	150	240	240	240	240	240	150
1600 x 1600		12	6	150	260	260	260	260	260	150

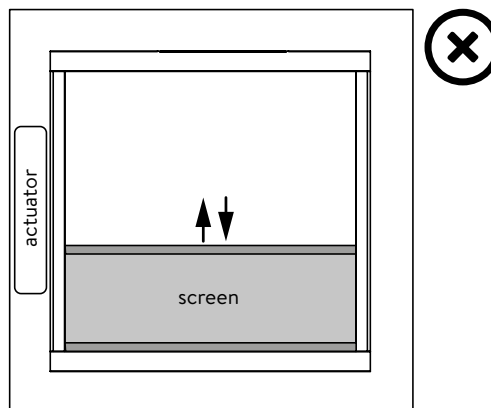
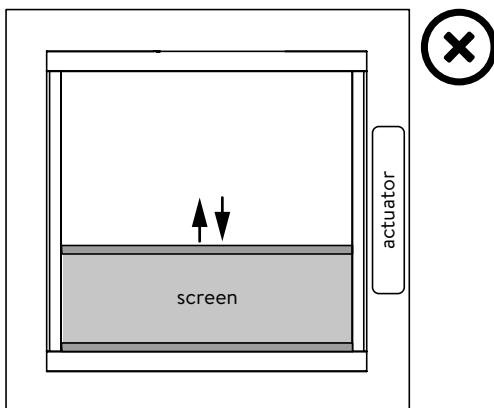
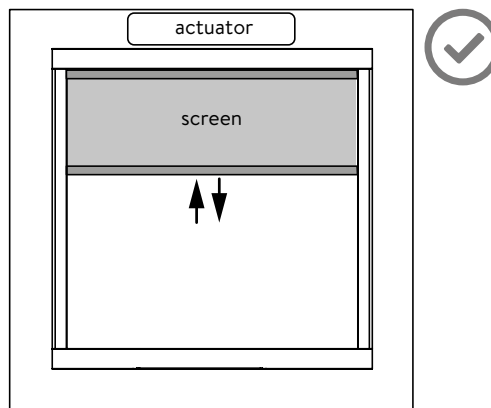
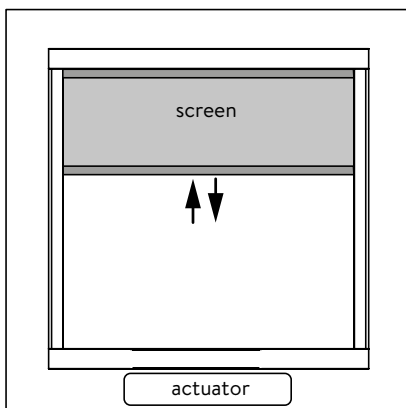
In case of a combination with an openable glass flat roof window: do not screw where the built-in actuators are situated.

**Never screw where the built-in spindle actuator is situated in the curb!!**

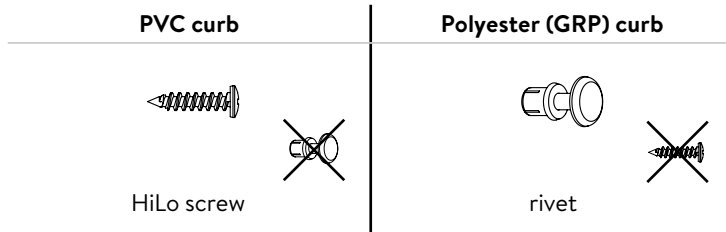


In case of a square curb:

Install the electric screen with the screws of the installation clips on the sides without actuators.



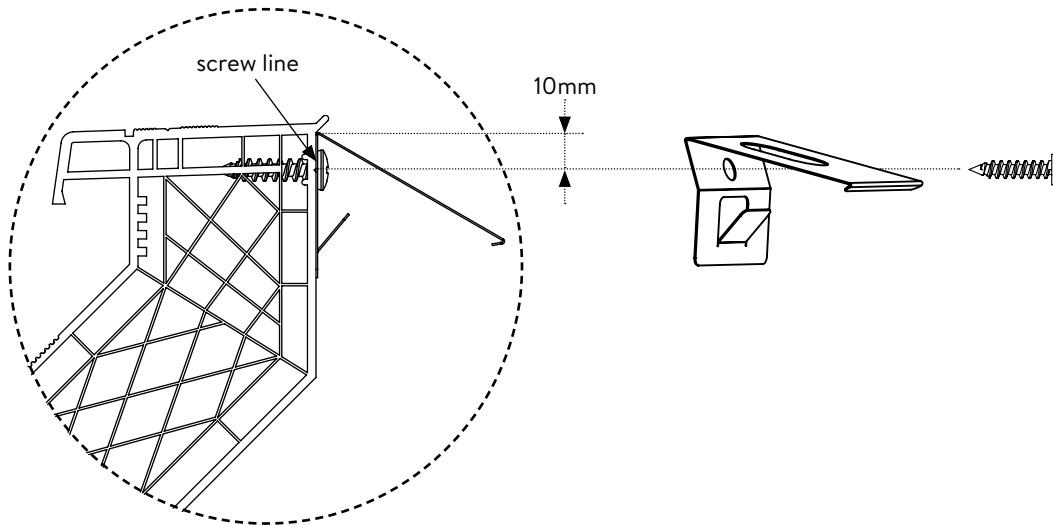
Screw the mounting clips in the daylight size of the curb by using the supplied fixations; depending on the curb type:



**PVC curbs:**

Screw the mounting clips in the daylight size of the curb, on the screw line (if available), at 10mm from the top side. Use the HiLo screws 25mm PH2.

Align the top side of the mounting clips with the top side of the curb flange.



Please note:

Do not screw through the curb towards the outside to avoid any water infiltration from the outside.

**Polyester (GRP) curbs:**

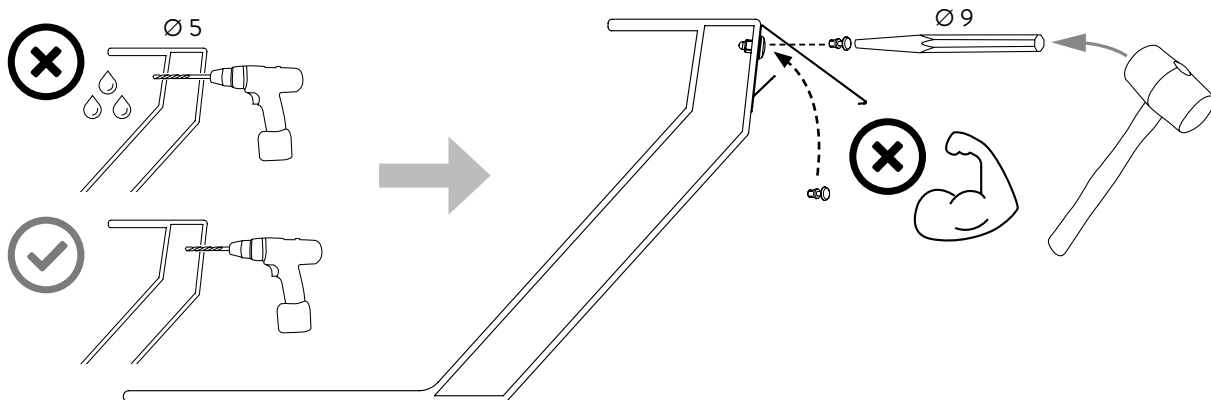
Do not screw in the polyester curbs.

Only drill a hole in the inner wall of the polyester curb and use the rivet.

Do not screw in the polyester curbs.

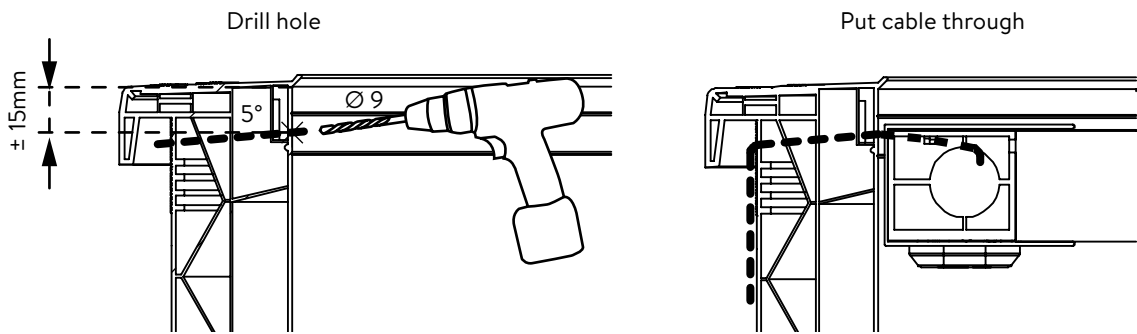
Use the rivet.

Pre-drill with Ø 5mm through the inner wall of the polyester (GRP) curb.



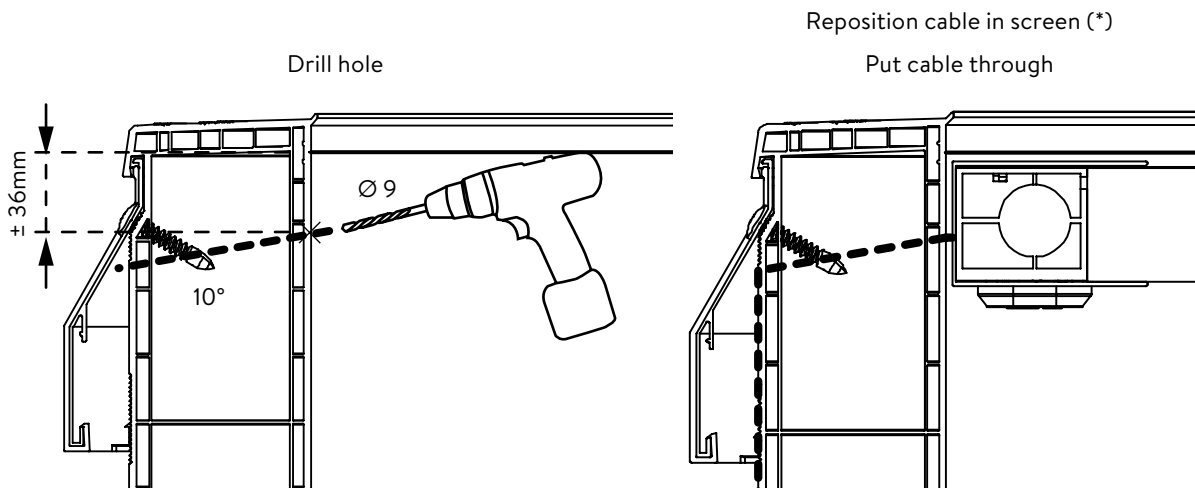
**Installation in a skylight curb, but not applicable to PVC curb 20/00EP:**

Cable comes out on the upper side of the screen: (standard)

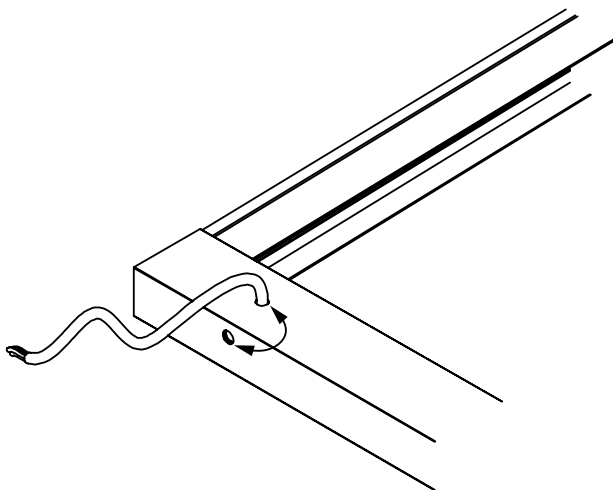


**For the installation in a PVC curb 20/00EP, the cable in the screen must be repositioned to the side:**

- Curb 20/00EP can be recognised by the following aspects:
  - Straight curb; 20cm high
  - Aluminium flashing profile on the outside, under which the roofing is situated

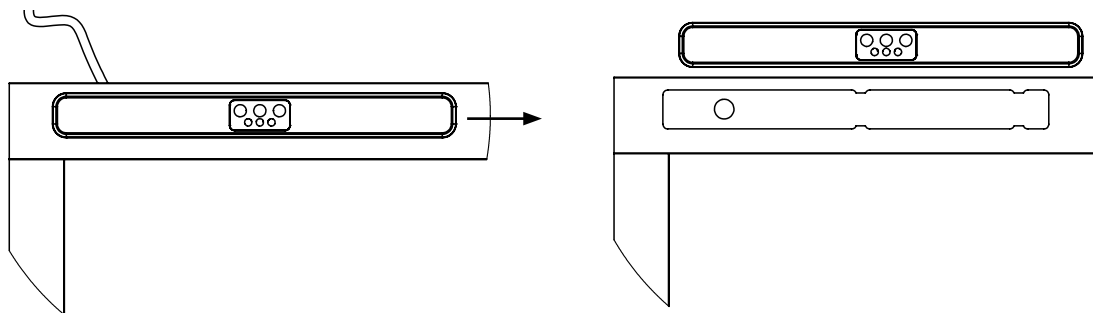


(\*) How-to: reposition cable in screen



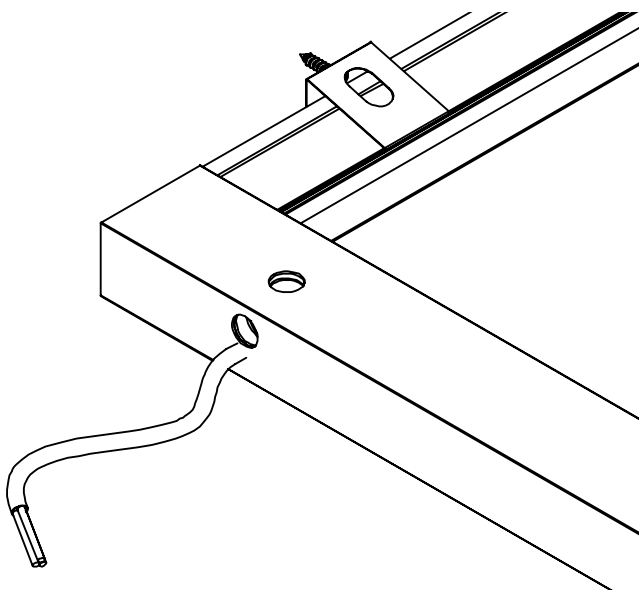
Detach the cover at the bottom of the screen from the screen profile:

Take the cover and slide it to the right (as shown in the image below).

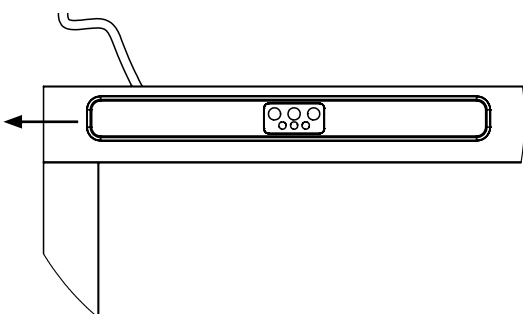


Pull the cable through the hole from the outside to the inside of the screen again.

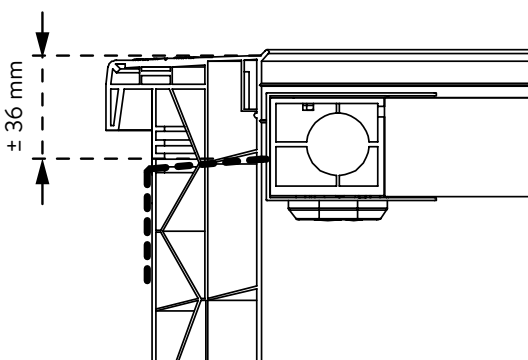
Now, the cable can be pulled back to the outside of the screen, through the hole on the side of the screen.



Put the cover back in the opening of the screen and slide it to the left (as shown in the image below).



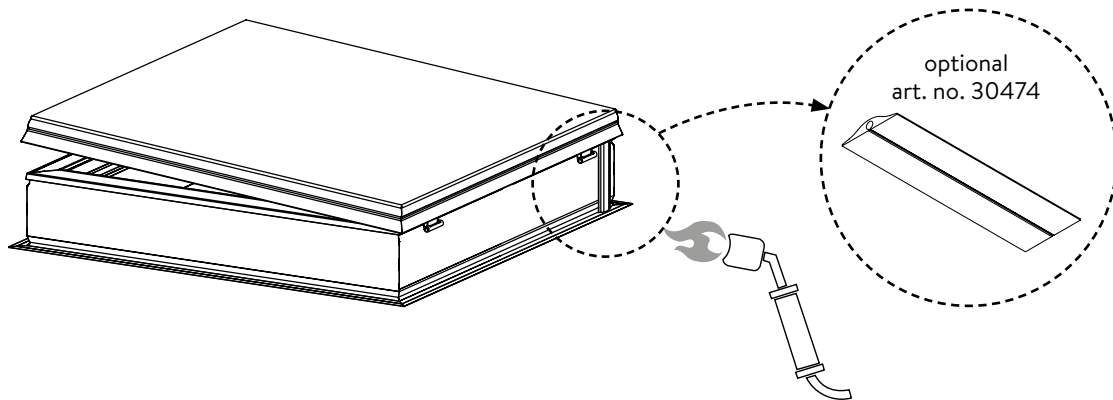
This application (cable that comes out of the side of the screen) can also be used for other curbs.



If the cable is processed on the outside of the curb, the installer is responsible for screening the cable and providing a further good electrical connection.

E.g.:

For any situation it is possible to place a cover rubber (optional) over the cable to protect overheating.



**Other option for processing the electric cable to the inside of the skylight:**

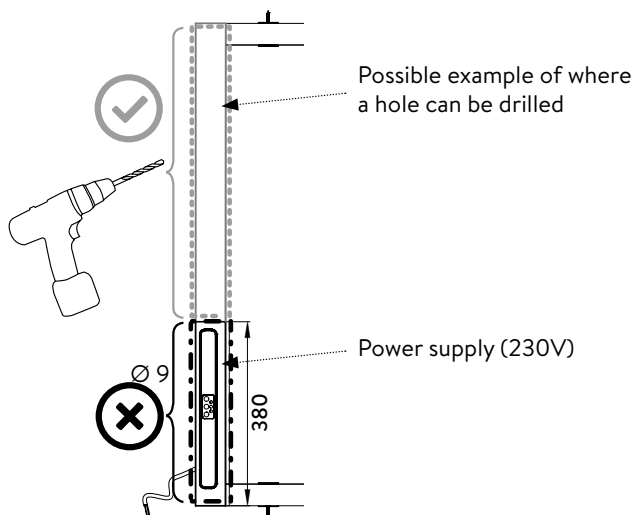
The cable also be placed to the bottom.

**!! The cable is visible in this situation !!**

Follow again the steps: "(\*) how-to: reposition cable in screen" until "pull the cable to the inside of the screen".

A hole (Ø 9mm) can be drilled downwards in the screen and the U-profile:

! Watch out: drill next to the electric components and do not drill in the cables!



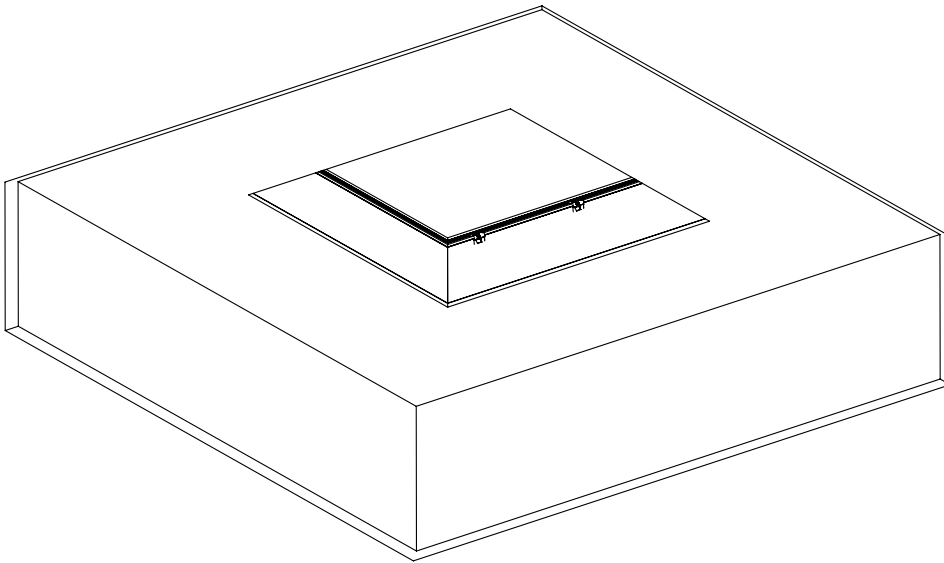
Now pull the cable back to the outside of the screen, as well as through the U-profile.

Place the cover with the Bluetooth logo back on the screen.

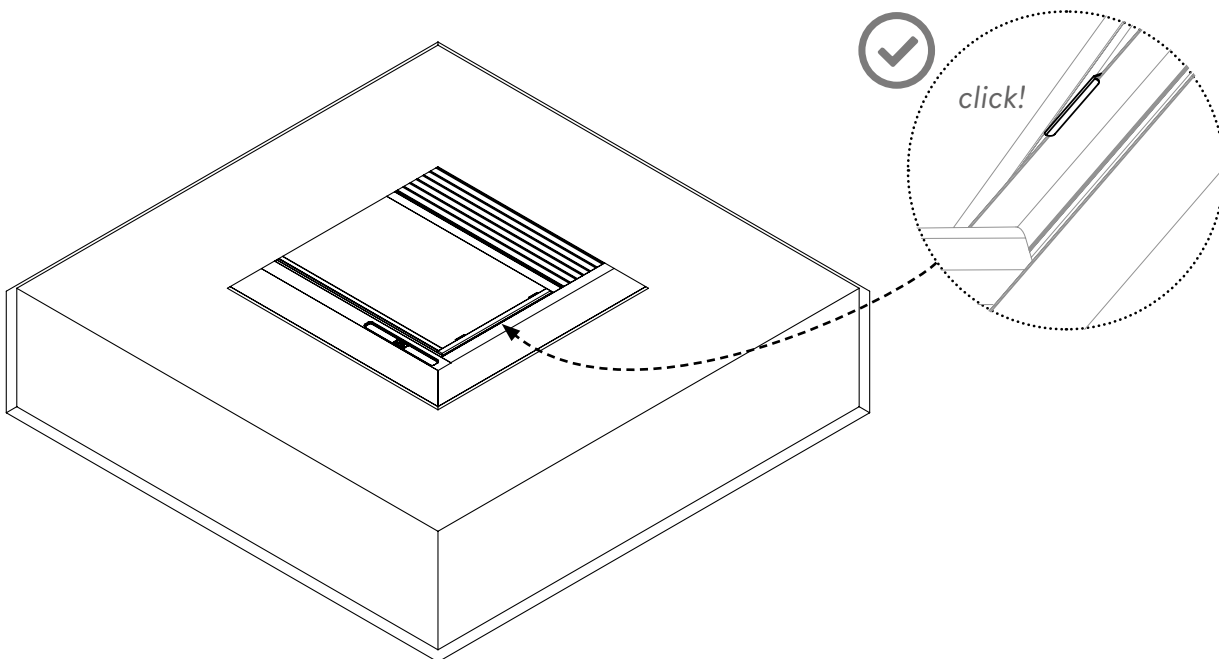
Continue the cable on the inside of the curb and skylight.

### Place the electric screen

Take the electric screen and install it correctly as described above.  
Place and clip the electric screen on the inside of the skylight in the installation clips.

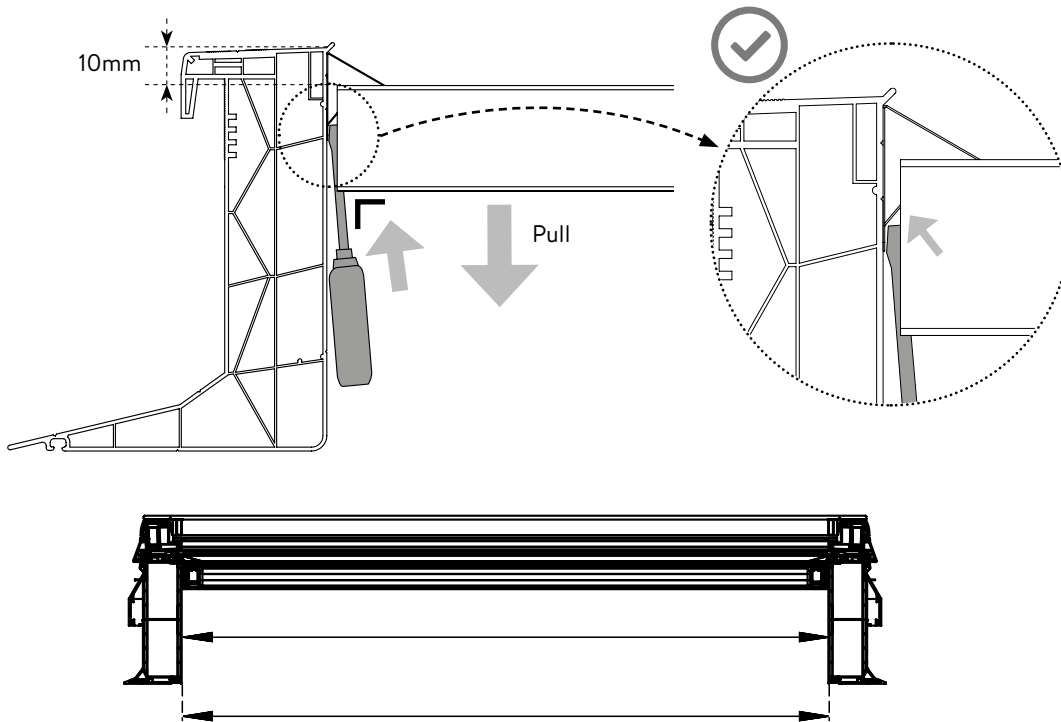


Attach correctly (clip):



Prevent the electric screen from getting blocked by the installation clips during opening and closing.

Pull the electric screen horizontally in relation to the curb:



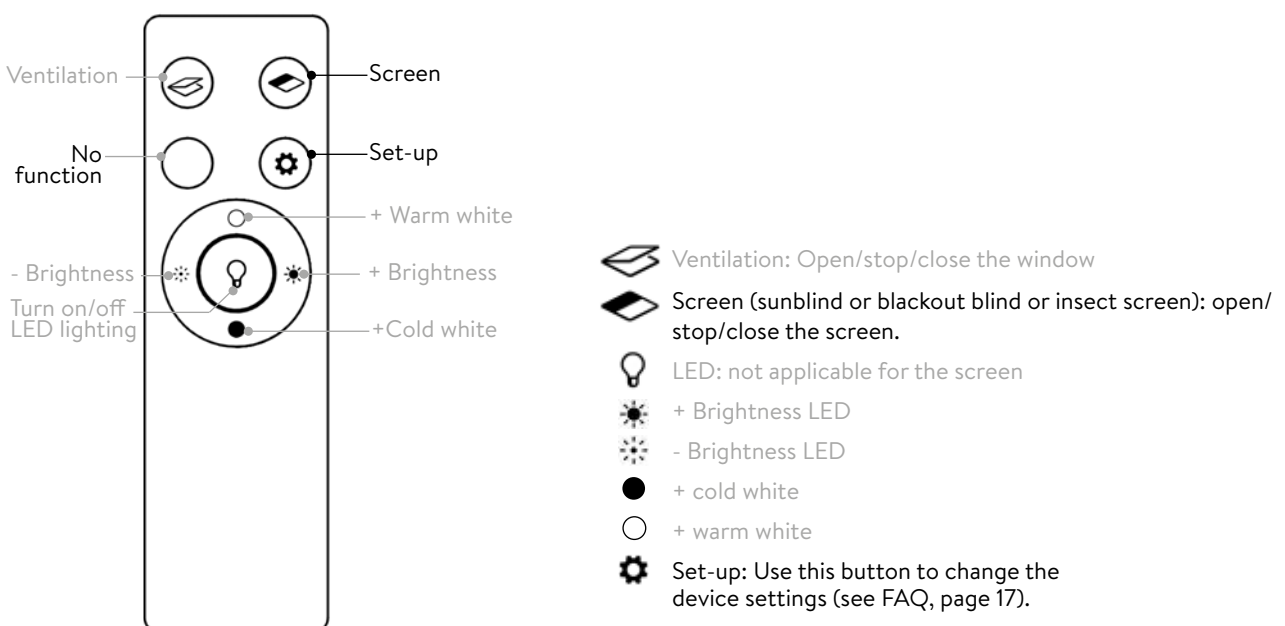
Finish as desired but make sure that the cover with keypad is always visible.  
The screen is easy to remove in order to provide the best possible service afterwards.

## CONTROL

### RF remote control

The provided remote control is connected in advance to your Skylux device.

#### Functionalities

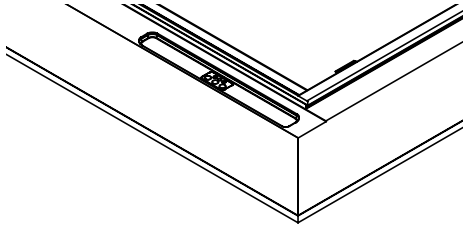




## KEYPAD

There is a keypad on the visible side of the screen. This is equipped with three push buttons and 3 LED lights. The function of the keypad is to adjust certain device settings (by means of the 3 push buttons) and to provide feedback to the user (by means of the 3 LED lights).

It is important that this keypad is always accessible after installation and finishing.



The keypad can be found on the cover at the bottom of the screen.

## FAQ

### Control of the remote control no longer works

#### Step 1 • Check reception

Move closer to the device. Check whether the green light on the keypad lights up when you press a button. This means that the signal has been received correctly.

#### Step 2 • The battery of the remote control is dead

If the green light on the keypad is not lit (see test above), check the battery of the remote control. Open the cover on the bottom of the remote control and replace the 3V CR2032 button cell battery.

#### Step 3 • There is a problem with the power supply

Check the power supply of your device.

Briefly press the set-up button on the remote control . Check the number of lights that are lit on the keypad:

- 3: power supply is OK
- 0: possible problem with the power supply

#### Step 4 • The remote control is not paired with your device

If the green light does not illuminate during operation and there is no problem with the power supply, then the connection may be lost.

>> Follow the instructions below 'I want to pair multiple products on one remote control'.

#### Step 5 • If the red light on the keypad blinks, the device is in error

LED flashes 2x: object detection: your device detected an object, which stopped the movement.



Check your device and remove the object if necessary.

LED flashes 3x: loose cable detection: the electrical connection of your device may be defective.

>> Contact Skylux (service@skylux.be).

### I have lost the remote control

It is possible to pair a new remote control to your device:

1. Order a new remote control ([www.skylux.eu](http://www.skylux.eu)).
2. Push and hold the pairing button on the keypad (P) and release it after hearing 2 beeps   
At the same time, the green LED on the keypad will also flash twice.
3. The blue LED on the keypad will now flash.
4. Now press any button on the new remote control.
5. 3 short beeps  confirm the connection, the green LED on the keypad will also flash 3 times.

### I want to pair multiple products on one remote control

1. Push and hold the pairing button on the keypad (P) of the device you wish to add and release the button after hearing 2 beeps 🎵🎵. At the same time, the green LED on the keypad will also flash twice.
2. The blue LED on the keypad will now flash.
3. Now press any button on the new remote control.
4. 3 short beeps 🎵🎵🎵 confirm a successful pairing of the device. The green LED on the keypad will also flash 3 times.

**Please note:** If you pair multiple devices with one remote control, the remote control may not have sufficient range to control all devices. This means that the devices may not all be in the same position. If this is the case, you can synchronise the devices again by long pressing the function symbol on the remote control within range of the device, this will place all devices in the same position.

### I want to use multiple remote controls for one device

1. Use a remote control that is already paired to the device. If you don't have a remote control, please follow the instructions below 'I have lost the remote control' and repeat for each additional remote control.
2. Push and hold the set-up button ⚙️ and release it after hearing 2 beeps 🎵🎵. At the same time, the green LED on the keypad will also flash twice.
3. Now press any button on the new remote control.
4. 3 short beeps 🎵🎵🎵 confirm that the new remote control has successfully been paired. The green LED on the keypad will also flash 3 times.

**Please note:** a maximum of 10 remote controls can be paired per device.

### I want to unpair my remote control(s)

1. Push and hold the reset button on the keypad (R) and release it after hearing 2 beeps first and then 3 beeps 🎵🎵🎵. At the same time, the green LED on the keypad will also flash three times.
2. The red light LED on the keypad will now blink.
3. Confirm the reset by briefly pushing the reset button "R".
4. 3 short beeps 🎵🎵🎵 confirm that the remote control(s) have successfully been unpaired. The green LED on the keypad will also flash 3 times.
5. If you want to pair again, follow the instructions below 'I have lost the remote control'.

## SPECIFICATIONS

The remote control is only meant for inside use. Do not expose the remote control to humidity or rain.

RF frequency	433 MHz
Dimensions	121 x 36 x 10 mm
Batterie	3V CR2032
Colour	Black

### Smart Home control

Scan the QR code to view the instructions for adding your device to a Smart Home application.



Please note: The QR code on the front of this manual and on the supplied remote control is the Matter QR code. You need this to add your device in the chosen Home Automation app. Do not lose this code!

### General use

The electric screen on 230V is suited for normal use in normal climate conditions for flat roof windows and/or skylights.

Do not store, place or transport the electric screen in places where extra heat accumulation can occur, nor in places that are extremely humid.

Following aspects are excluded from normal use in normal climate conditions: damage due to overvoltage, lightning strike, water damage, vermin, fire, glass breakage, extreme shocks or similar external influences, based on actions of third parties and other events or accidents that are excluded from normal use of the screen and on which the manufacturer does not have any influence.