



NL / FR / EN / DE

Climalux[®] Standard

Montagehandleiding standaard terrasoverkapping
zelfdragend alu profielensysteem

Notice de pose toiture de véranda standard
système de profilés autoportants en aluminium

Installation manual standard conservatory roof
self-supporting aluminium profile system

Montageempfehlung Standard Terrassenüberdachung
selbsttragendes Aluminium Profilsystem

Art.N° 41312


Hello daylight!

Safety

Take the necessary and required safety precautions, such as safety nets and lifelines when installing from the outside, safety goggles, gloves, hard hat, etc.
Do not step on the glass.



Falling from height

- When using ladders to go on the roof:
 - Ladder in good condition?
 - Set up correctly at an angle of 75°?
 - Secured below and on top against moving?
 - Don't take heavy material with you on the ladder (3-point contact rule)! If possible, use a crane to lift the material.
- If you are going on the roof, make sure there is a walking surface that is wide enough and that supports on the beams of the lower structure.
- When using an aerial work platform: always wear and secure your harness (mandatory)! Leaving the cage is forbidden.
- Never walk backwards on a roof, always walk forwards.
- Make sure there's enough light in the working zone.



Low-hanging obstacles and falling loads



- Forbidden to walk under or within a radius of 1 m of a hanging or lifted load.
- Demarcate the danger zone below the zone where there is a risk of material falling down during the installation of the veranda.
- It's prohibited to enter these danger zones during construction.



Crushing hazard

- All working tools are in good condition, provided with a valid CE label and all necessary safety regulations. These cannot be removed.
- People who use these working tools are educated for this purpose. Protections are always present on all working tools. They are in good condition and need to be set correctly.

Tripping/falling



- Safety is key and it begins with order and tidiness. Clean everything immediately, leave nothing lying around.
- Trash needs to be sorted.
- Be cautious with electric cables (danger of tripping/falling). Never walk backwards!
- Make sure there's enough light in the working zone.



Sharp objects

- Make sure your fingers/hands are not pinched and watch out for cuts while handling veranda parts.
- Be careful where you put your hands during the installation.
- Wearing cut-resistant gloves is mandatory.



Ergonomics

- Always lift loads correctly: bend your knees, move your feet instead of forcing your spine, lift as close to your body as possible.
- Parts of more than 25 kg must be lifted with at least 2 persons.



Personal protective equipment



- Work clothes, safety shoes and helmet are mandatory for everyone.



- Lifeline and harness are mandatory if the edge is not secured enough or if there are no safety nets below the veranda roof. They are also necessary when using an aerial working platform.



- Use gloves when handling veranda parts.

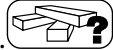
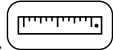

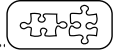


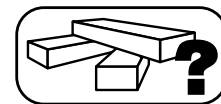
- Safety glasses and hearing protection are mandatory when using saws / grinders.

Always perform a Last Minute Risk Analysis!

If in doubt: STOP! Do not take unnecessary risks. Ask your supervisor if needed.


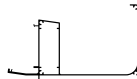


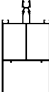






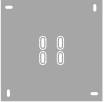

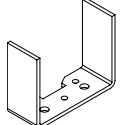


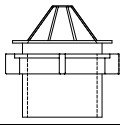
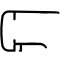
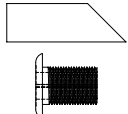

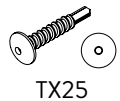
TABLE OF CONTENTS

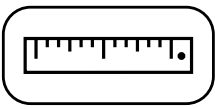
| | | |
|---|---|------------|
| Contents | | p. 2 |
| Overview Climalux® profiles and parts |  | p. 3 |
| General installation tips |  | p. 4 - 10 |
| Measuring your Climalux® pitched roof | | p. 5 - 6 |
| Preparation | | p. 7 |
| General tips and maintenance instructions | | p. 8 - 9 |
| Plan of Climalux® conservatory roof | | p. 10 |
| Specific installation tips for the Climalux® system |  | p. 11 - 22 |
| Posts | | p. 11 |
| Gutter | | p. 12 - 14 |
| Wall profile | | p. 15 |
| Rafters and side rafters | | p. 16 - 17 |
| Spacers | | p. 18 |
| Glazing | | p. 19 |
| Finish | | p. 20 - 22 |
| ANNEX | | p. 23 - 26 |
| Load graphs |  | p. 24 - 26 |
| Load graphs for rafters | | p. 24 |
| Load graphs for gutter profiles | | p. 25 - 26 |



OVERVIEW OF CLIMALUX® PROFILES AND PARTS

EN

| | CODE | DESCRIPTION | | CODE | DESCRIPTION |
|--|------|---|---|--------------|--|
| WALL | MX | WALL PROFILE |  | BT16 | CLOSED SYNTHETIC TAPE FOR 10 AND 16 MM SHEETS WITH GARANTEE |
| GUTTER | GX | GUTTER |  | BB16 | PERFORATED SYNTHETIC TAPE FOR 16 MM SHEETS WITH GARANTEE |
|  | GLX | ORNAMENTAL PROFILE FOR GUTTER OPTIONAL |  | S16X | STOP FOR DX |
| RAFTERS | DX | RAFTER |  | GSX | END PIECE GUTTER FOR GX |
|  | CL16 | CLIP ALU 16 MM |  | GLSX | END PIECE GUTTER FOR GX + GLX OPTIONAL |
|  | CLLX | SIDE CLIP 16 MM |  | LOGO | LOGO CLIMAX FOR END PIECE GUTTER |
| POSTS | PX | POST 110/141 FOR GUTTER GX |  | MSX | END PIECE WALL PROFILE FOR MX |
|  | C1CX | COEXRUBBER WHITE/BLACK FOR WALL TOP COEXRUBBER FOR WALL TOP GREY/BLACK |  | PV | BASE-PLATE FOR POST PART 110/50 OPTIONAL |
|  | C3 | RUBBER FOR SHEET SPACER GREY |  | PU | U TOP-BOTTOM FOR POST PX 110/141 |
|  | C8 | RUBBER GREY FOR CL16 AND CLSB |  | BMR | STAINL. SCREW, NUT AND RING SPRING M8 |
| ACCESSORIES | AX | SHEET SPACER |  | GC | WATER OUTLET + SWIVEL DIAM 80 MM GREY |
|  | U16 | PRE DRILLED ALU END PROFILE 16 MM |  | UGS WUGS | UNIVERSAL OUTLET + OUTLET GUTTER SPOUT OPTIONAL |
|  | L432 | L-OBTURATOR PROFILE |  | ZSB/G ZSC | STAINL. STEEL SCREW 5,5 x 32 MM TX 25 STAINL. STEEL SCREW 5,5 x 32 MM TX 25 WITH BUTYL SEALING |



GENERAL INSTALLATION TIPS

Delivery and installation

Please read this manual carefully. Your conservatory roof has been made and packed with most care. The delivery consists of different sets and contains all profiles and accessories. Please check if you received the correct sets according to the sizes of your conservatory roof order.

The installation must be carried out by people with sufficient technical knowledge and experience in the area of conservatory installations. The installer must take the required safety measures into account during the installation such as the use of scaffolding and personal protection equipment - safety shoes, helmet (i.e. hard hat), gloves, safety goggles, etc. - to ensure the work is carried out in a safe environment. During installation, please make sure that the necessary precautions have been taken to ensure the stability of the unfinished construction.

Fixing material

The selection of required fixing material is to be made in function of the foundation or the walls. Check whether the foundation and the walls on which the structure is to be anchored have a sufficient load-bearing capacity. The installer is responsible for the assessment of the appropriate fixing materials for the load and foundation on which the structure is to be fixed. Please contact your fixing material supplier or specialised engineering consultants in case of doubts. Skylux cannot be held responsible for the installation or the fixing materials used.

Seal installation

A distinction is made between push-in seals and slide seals.

The C8 rubber must be slid into the clips. The slide seals C1CX & C3 are slid into the profiles. The seals C1CX and C2CX are equipped with an anti-stretch wire that prevents the seal from being stretched during installation. This technology ensures that the seal cannot shrink after installation.

Avoid the use of silicone and detergent when installing the seals. Plastic sheets can be damaged by these products. Plastic sheets can result in settlement noise due to temperature fluctuations. This will not affect the guarantee and will not be accepted as a claim.

Terms, conditions and guarantee

The guarantee is void when the installation instructions provided below are not followed. Not following the instructions and/or using other parts may have an adverse effect on the safety and life cycle of the product. Variations are not permitted without written permission of the manufacturer. Our installation instructions manual and film are based on the latest level of our knowledge and technics. We cannot be held responsible for possible incomplete information. Always check if our product is suited for your application. As the manipulation and the mounting of the product are done beyond our control, can Skylux not be held responsible for possible damages.

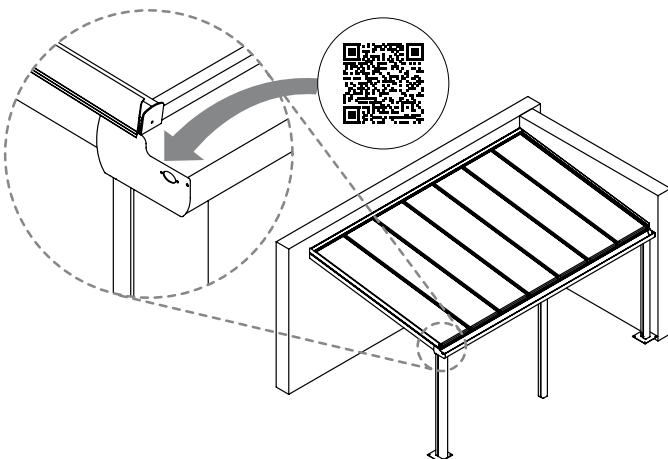
The installer must take the specified span values in relation to the glazing and load (snow and wind) according to the applicable standards into account. The load graphs that you will find in this manual on page 24-26 are only indicative. Contact the manufacturer, architect or engineering consultant for conservatory roofs outside the normal range. The manufacturer reserves the right to change this manual without prior verbal or written notification.

Skylux reserves the right to change this manual without prior notification. Changing the installation requirements or the product will not mean a right to any compensation or exchange of parts.

The latest version of this manual can be consulted by visiting www.agplastics.com.

Questions or information about your canopy? Scan your NFC code.

You will find this on the inside of the left gutter end plate (see drawing). With this code, unique to your order, our customer service can help you further.





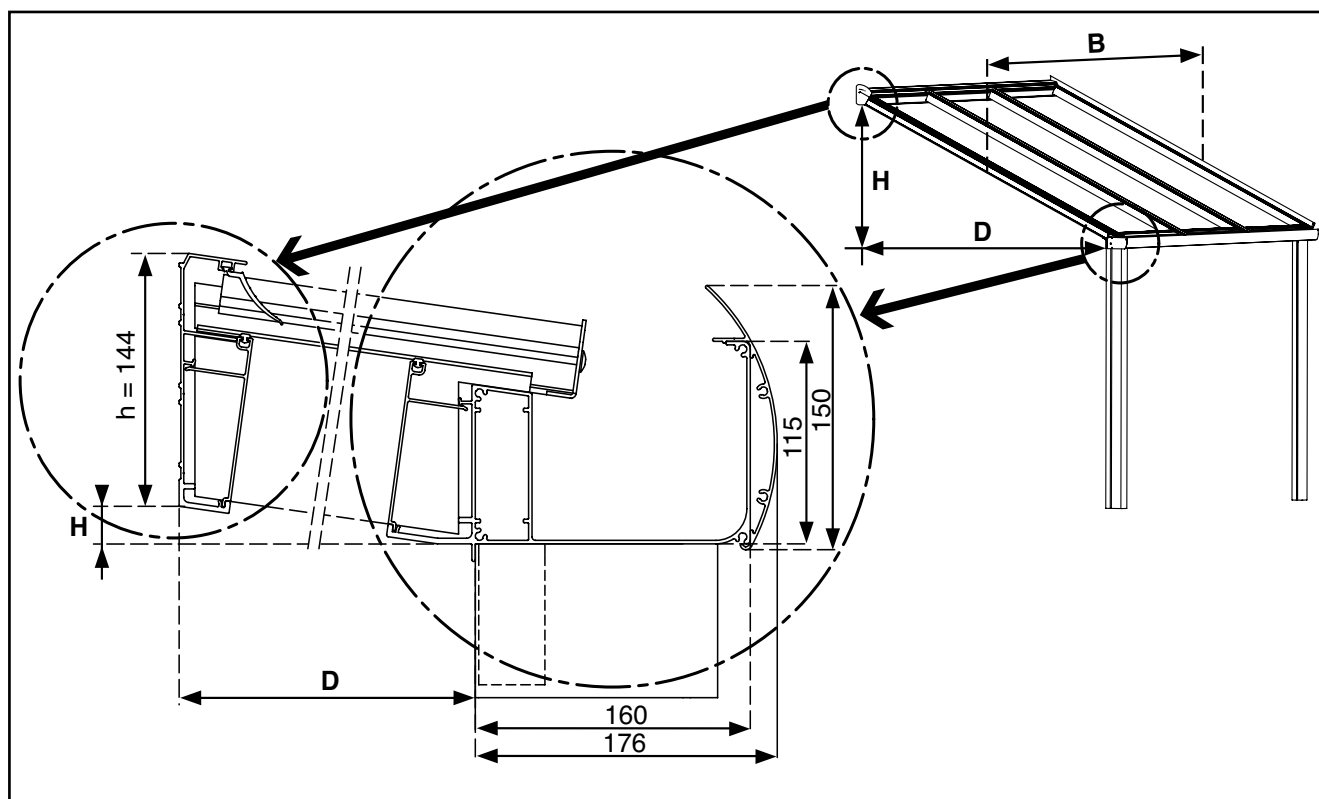
MEASURING YOUR CLIMALUX® PITCHED ROOF

EN

Measurement

Determine the height difference H.

The height difference H is the difference between the bottom side of the wall profile MX and the bottom surface of the gutter combination. The stop lip for the window is not included in the calculation. The standard roof inclination is 8°. Following table mentions the size H (400/470/540 mm) in function of the depth D. The height h is always 144 mm.



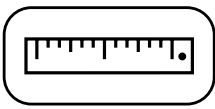
| Depth (D) | | Width (B) | | |
|-------------|--------------|-------------------|-------------------|-------------------|
| | | 4000 | 5000 | 6000 |
| 2859 (3000) | ΔH | 400 | 400 | 400 |
| | plate length | 2919 | 2919 | 2919 |
| | plate width | 2 x 980 + 2 x 946 | 3 x 980 + 2 x 945 | 4 x 980 + 2 x 944 |
| | AX profile | 4 x 942 + 4 x 908 | 6 x 942 + 4 x 907 | 8 x 942 + 4 x 906 |
| 3359 (3500) | ΔH | 470 | 470 | 470 |
| | plate length | 3424 | 3424 | 3424 |
| | plate width | 2 x 980 + 2 x 946 | 3 x 980 + 2 x 945 | 4 x 980 + 2 x 944 |
| | AX profile | 4 x 942 + 4 x 908 | 6 x 942 + 4 x 907 | 8 x 942 + 4 x 906 |
| 3859 (4000) | ΔH | 540 | 540 | 540 |
| | plate length | 3929 | 3929 | 3929 |
| | plate width | 2 x 980 + 2 x 946 | 3 x 980 + 2 x 945 | 4 x 980 + 2 x 944 |
| | AX profile | 4 x 942 + 4 x 908 | 6 x 942 + 4 x 907 | 8 x 942 + 4 x 906 |

Determine the depth D (2859 / 3359 / 3859 mm)

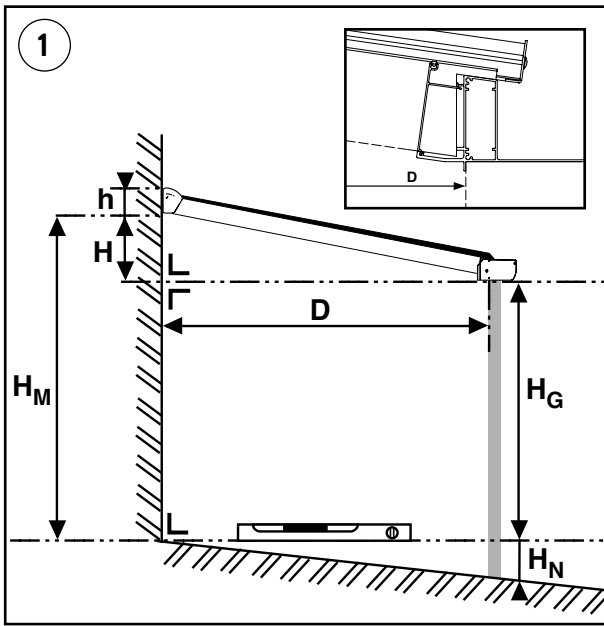
Measure horizontally from the wall to the inner side of the support post to determine the roof depth D. The additional depth of gutter GX is 160 mm, or of the gutter with optional ornamental frame GLX is 176 mm for a Climalux®.

Determine the width B (4000 / 5000 / 6000 mm)

The width B of the Climalux® is the distance between the outer side of the side rafters. If the Climalux® is installed between two walls and a gutter with screwed-on gutter end-pieces is used, you can deduct 5 mm per side from width B, as the screws for the gutter end piece require additional width and additional clearance is recommended.



MEASURING YOUR CLIMALUX® PITCHED ROOF



The difference in height H and depth D for the veranda.

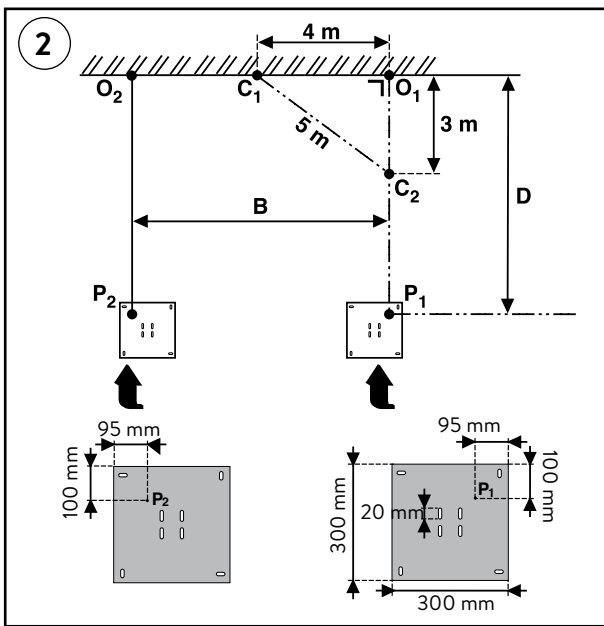
H_M = The height from the floor and the bottom side of the profile measured at the back of the veranda.

H_N = The slope of your veranda floor.

$H_G + H_N$ = Installation height for the bottom side of gutter GX.
This is also the height of the posts.

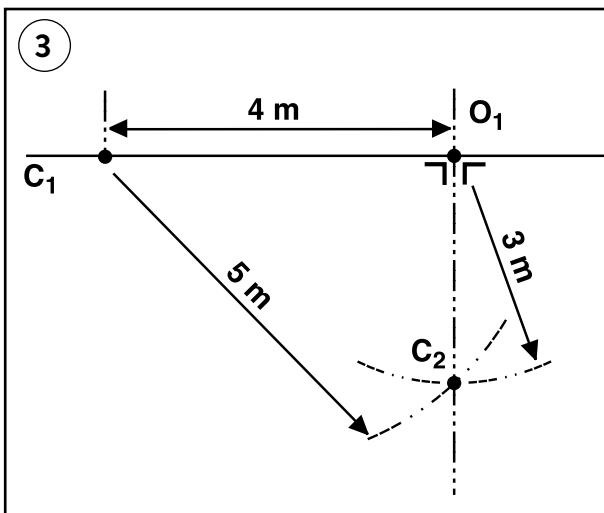
$$H = H_M - H_G$$

$$h = 144 \text{ mm (wall profile height)}$$



Installing the Climalux® post PX and optional PV base plate.

- Determine point O_1 .
- Determine O_2 . The distance $O_1 - O_2$ = conservatory width "B".
- Draw a line with chalk using the 3/4/5 rule and determine point P_1 . The distance $O_1 - P_1$ is the depth = D (Refer to item 3 below.)
- Repeat the same calculations for P_2 .
- Measure the distance $(P_1 - P_2)$, which must be equal to $(O_1 - O_2)$ as an additional check.
- The base plate can be slid through the slotted holes in order to position the base plate properly.
- The U for the base plate can be moved 20 mm either way to allow proper adjustment.



The 3/4/5 rule.

- Determine the auxiliary point C_1 based on O_1 at a distance of 4 metres.
- Use a 3 metre string and a piece of chalk to draw a circle from point O_1 .
- Use a 5 metre string to draw a circle from point C_1 .
- The 2 circles intersect at C_2 .
- Line $O_1 - C_2$ should be at a perfect right angle to your wall (line $C_1 - O_1$).

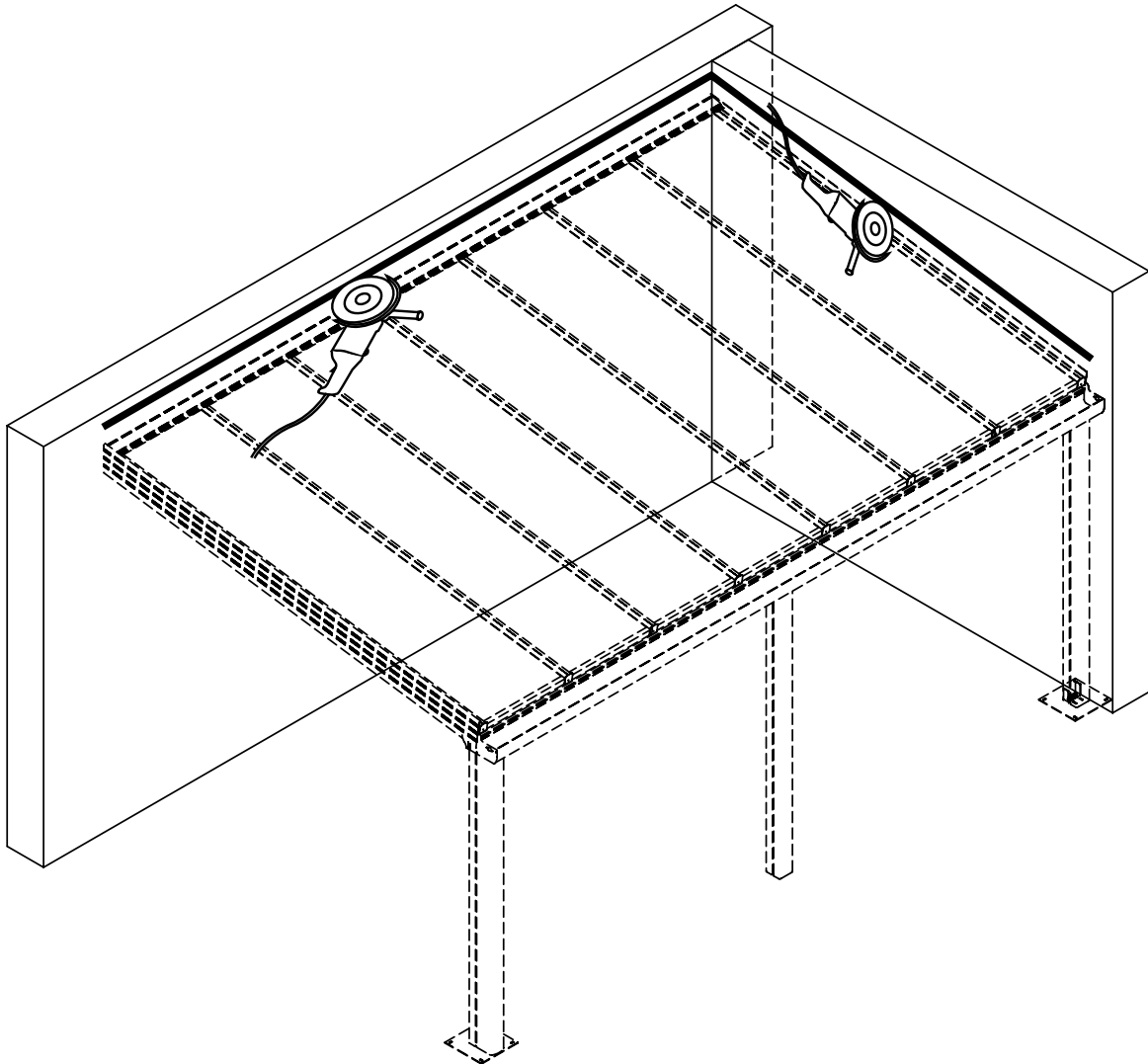
PREPARATION

The Climalux® roof can be delivered cut-to-size to reduce the installation time.

Walls

Check that the walls, against which the structure is to be installed, are:

- Sufficiently load-bearing to anchor the roof.
- Free of obstacles such as water drains, window sills ...



Install a lead slab to ensure a waterproof junction to the walls. Make a slot in the walls against which the conservatory roof is to be installed. Install a lead slab or zinc flashing.

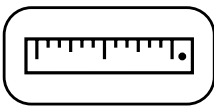
Height = first joint above $H_m + h$ and max 60 mm above the wall profile.

Floor

Ensure that the foundation can carry the load. Have an architect determine the required foundation. Implement measures to remove rainwater from the roof.

Precautions

Protect the finished profiles against scratches and dents during installation.



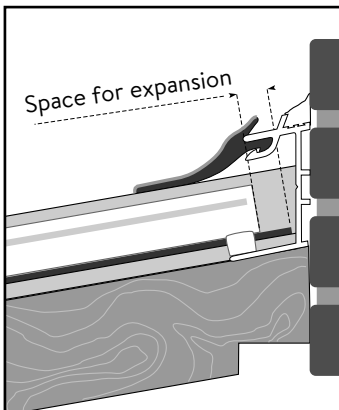
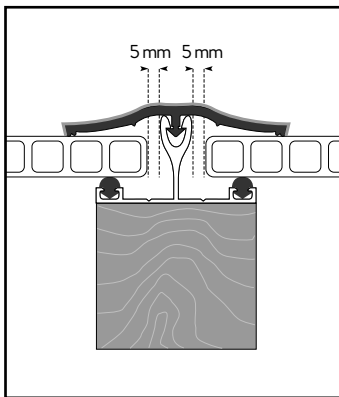
GENERAL TIPS AND MAINTENANCE INSTRUCTIONS

The qualitative and technological level of the multiple layer plastic sheet is high. We provide a few important tips for problem-free installation. Please pay special attention to the following: Space for expansion/silicone and wooden protection/seals.

1. CLEARANCE

Synthetic sheets can expand or shrink when there are temperature fluctuations. The following tips should be taken into account:

- Ensure there is 5 mm clearance lengthwise for each sheet meter and ensure there is 10 mm clearance (5 mm on each side) widthwise, for example, a 3000 mm sheet must have a clearance lengthwise of 1.5 cm.
- Never block the sheet lengthwise or widthwise. Always ensure sufficient clearance.
- Never stick the sheet using silicone (even when it does not damage synthetic materials). It would prevent the expansion and shrinkage of the sheets.
- The sheet is blocked at the bottom end to prevent it from sliding. The clearance must, therefore, be provided at the top.



2. SILICONE, SEALS AND WOOD PROTECTORS

- Nearly all silicone products affect the polymethyl methacrylate or polycarbonate sheets. Purchase silicone types that are safe for polymethyl methacrylate or polycarbonate products (guarantee certificate).
- The fumes from this putty may never evaporate in the slots of the sheet. The ventilation openings as well as the sides of the end profiles may not be closed off. The silicone should always be allowed to release fumes freely.
- Some seals contain softening agents (as used in certain types of rubber, PVC, polyurethane, etc.) that may cause small cracks. Use only approved seals.
- Do not use black or dark-coloured seals to prevent heat accumulation.
- A lead slab may be placed on the seals but may not rest against the sheets.
- Some paints, varnishes and wood protectors affect the polymethyl methacrylate or polycarbonate sheets. Never use lubricants to put the seals into the profiles.
- Never spray insecticide directly on to the sheets. Synthetic sheets can be damaged by these products.

3. MAINTENANCE

- Clean the sheets annually using lukewarm rainwater. Dissolve a little household soap (neutral) in the water if required (no detergent!!). Never use solvents or abrasive products.
- Do not rub dry (may cause scratches).
- Simply rinse.

4. INSTALLATION

- Observe the safety instructions that apply to work on roofs.
- Polycarbonate sheets: Very IMPORTANT! The side which is protected against UV radiation must always be installed facing the exterior or the sky. The "sun side" is indicated on the protection film.**
- The plastic tape or the provisional aluminium tape will only ensure the sheets are free from dust while being shipped. These should be removed! Adjusted aluminium tape or end profiles must be used.
- The load-bearing structure must be strong and stable. (See the regulations that apply to the timber and metal construction industry.) Cross supports may be required depending on the type of sheet used. Only specific maximum lengths may be used without a cross support for each type of sheet taking into account the loads of 500 N/m² or 750 N/m², respectively (see the technical plastic sheets information sheet).
- Heat accumulation: the top side of the load-bearing structure that is turned towards the sheets must be WHITE reflective.
- Apply white dispersion paint (diluted in water or paint without solvents) or use preferably aluminium tape. Attention: Let the paint dry after painting the load-bearing structure! Continue with the installation of the sheets after the paint has dried. The synthetic sheets may NEVER be installed directly on to timber structures.

- Do not place roof tiles directly on the sheets! Leave a space of at least 10 mm between the sheets and the roof covering.

- Use a special weather stripping (seal C6) for sealing the opening between the plate and the gutter beam. Do not seal using sealant or fill with PU foam.

- We formally recommend not adding a ceiling under the acrylic sheets (PMMA). Any used sun blinds or other finish under the sheets should be at least 120 mm from the roofing sheet. These may not have insulation properties and should have a reflecting colour. The polycarbonate sheets (PC) do not require any specific precautions.

WIDTH DISTRIBUTION OF THE SHEETS:

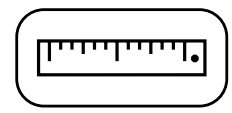
RECOMMENDED: standard sheet width with an adapter for the 2 outer sheets. This is especially important for the S5P heat-stop sheet.

The closed off sides are one of the factors that determine the sheet strength!

NOT RECOMMENDED: in equal sections with sized sheet widths. Take the standard sheet width into account. We formally advise against sizing multiple-layer sheets.

5. GLASS

- Follow the installation instructions provided by the glass manufacturer when including the installation of glass!

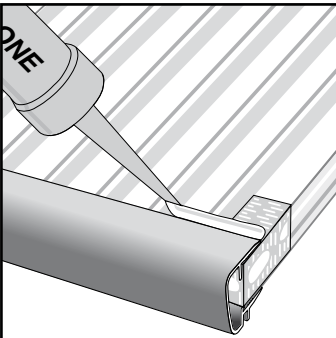
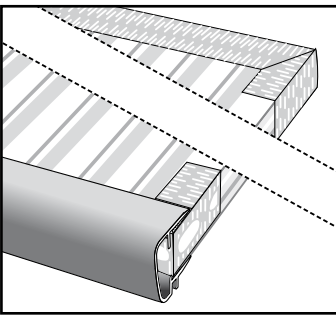


GENERAL TIPS AND MAINTENANCE INSTRUCTIONS

6. DRAINAGE AND CONDENSATION

Dust and damp may not enter into the cell structure:

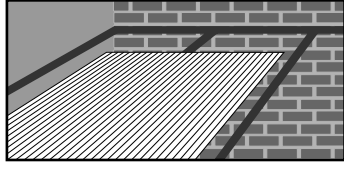
- A combination of BT 16/25/32 at the top and BB 16/25/32 with U16/25/32P at the bottom, stops dust of > 45µm from entering the cell structure.
- The underside is provided with a perforated aluminium filter tape. To protect the tape, use the U16P/U25P/U32P or a U profile with perforations of Ø 3.5 mm, installed every 20 cm.
- Seal the profile with synthetic friendly silicone to prevent water infiltration maximally.
- Wet the edge of sheets with no-drop layer and dry it afterwards before taping the sheet.



- Make sure that the bottom NEVER stands in water (moss and algae).
- Condensation in the canals is not 100% inevitable (physical phenomenon).
- Acrylic and polycarbonate are very less gas- and dampproof. The characteristics of the material and the guarantee are not diminished because of this. An appropriate sealing is recommended.

7. SHEET DIRECTION

- Install the sheets with inclination or vertically, never horizontally (unless interior use).
- Minimum inclination: 10° (18 cm per meter) or more.
- The direction of the sheet canals must always go along with the roof inclination.

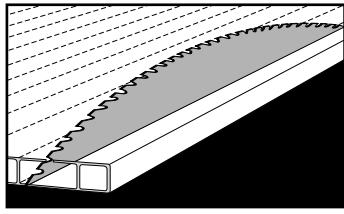


8. REFLECTION

- Multi-walled synthetic sheets may reflect the sunlight to the inside or the outside in case of direct sunlight (following the orientation or the inclination). This is a normal situation which does not affect the sheet guarantee.

9. SAWING AND DRILLING

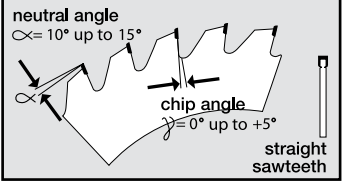
- Always use a grease pencil to make notes on the protection film (felt pen is difficult to remove)
- To ensure a fast clamping during the sawing, you should always make sure that a raised rib is as near as possible by a sawed edge.



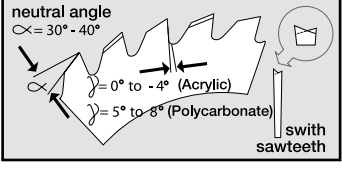
- When sawing, use a hard metal saw (widea) with high rotation speed. Saw slowly and by preference with one move. Use new or sharpened saw blades. Make sure the sides are always smooth.

ATTENTION: The basis on which the sheets are sawn, must be stable and vibration-free. The sheets must not move during sawing. The saw blade must slightly reach out of the sheet.

Type of saw blade:
1. hard metal (for ca 50 m/s)



2. HSS (not more than 40 m/s)



- Remove all dust and sawing rests from the canals with pure compressed air or a powerful vacuum cleaner.
- Only remove the protection film after installation to avoid scratches.
- Drilling is strongly advised against. However, if unavoidable, provide with grooves (shrinking and dilatation).

10. PILING

- Avoid direct sunlight on piled sheets.
- If you pile the sheets outside, cover the sheets with white polyethyl foil. Always keep the synthetic friendly tape as sealing on the front sides of the sheets.
- The sheets must not be piled directly on the ground. Use appropriate pallet boards.

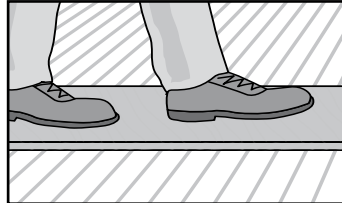
11. SUN PROTECTION

- If you install sun protection, you must do this on the upper side of the sheets: e.g. on the outside.

Attention:
Do not put the sun protection directly on the sheet!
You can also buy sunproof sheets (PC: Primalite® (Clear), Reflex Pearl®, Relax® - PMMA: S5P Heatstop) or install a Skylux® conservatory dome.

12. REMEMBER

- Never walk or kneel directly on the sheets. Always use solid timber boards underneath. Make sure these boards are supported by the timber construction.
- Multi-walled synthetic sheets with thin walls and a high insulating structure in the sheet, are sensitive to foot, knee and other impressions at the surface. Please take enough precautions during transport and installation. Impressions in the sheet are not covered by the guarantee.



13. SNOW AND SNOW PILE

- The multi-walled synthetic sheets resist normal snow load. You can find the maximum snow load on the technical files per sheet type and size. In case of heavy snow fall, we recommend to regularly clear the snow. The conservatory roof must also be protected against snow falling from a higher situated roof.

14. DILATATION NOISES

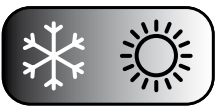
- As we already mentioned several times, synthetic sheets shrink and dilate under the influence of temperature fluctuations. When they move with regard to the roof construction, there can be some creak noises. There is no danger for the sheets if they have been installed according to the installation instructions.

Screwed clips cause more creak noises with synthetic sheets.

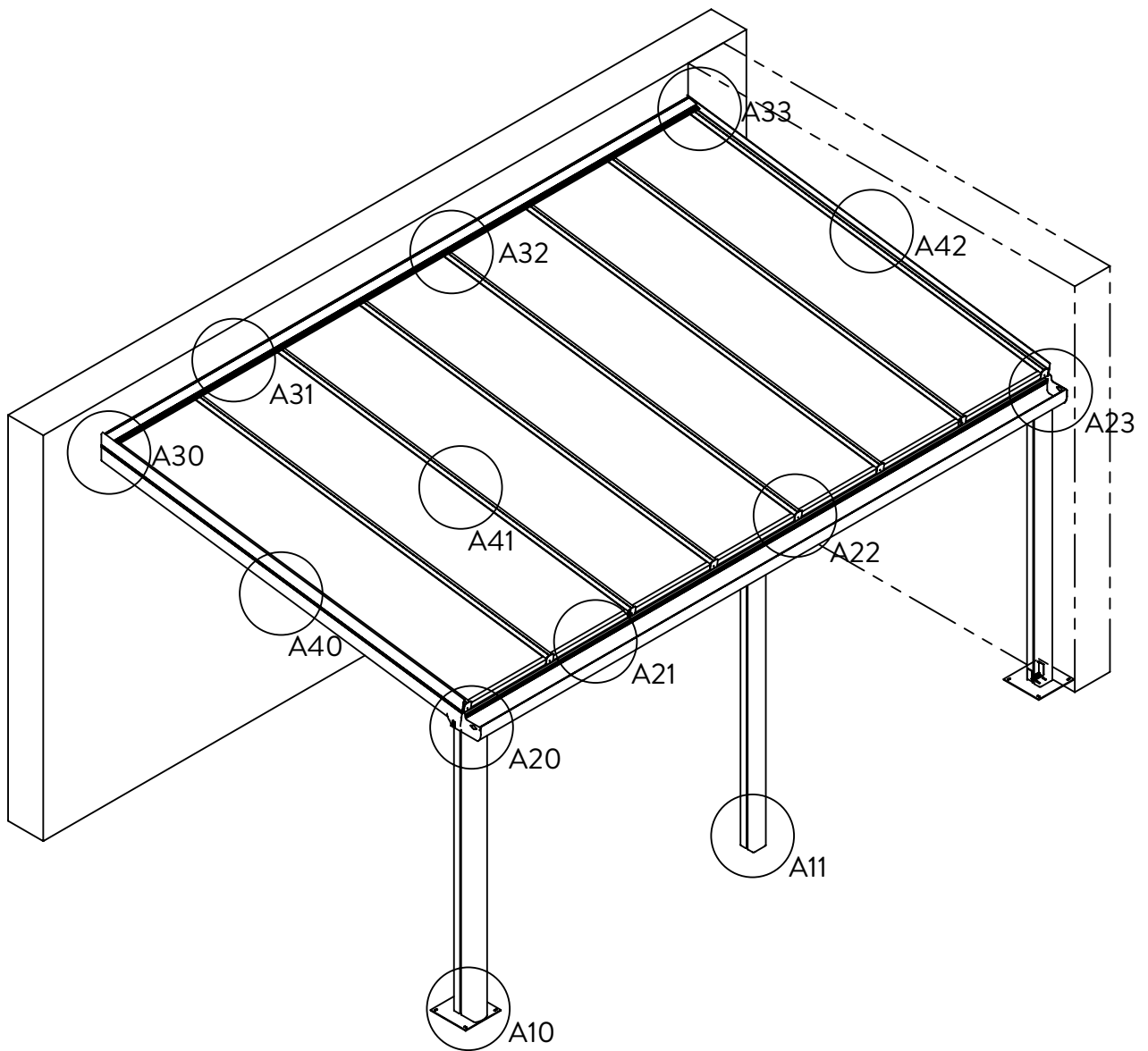
If you would like to avoid crack noises, we advise you to always use the TP and TPH profiles. The TP can expand and shrink with the synthetic sheets or alu sandwich sheets.

15. FURTHER INSTRUCTIONS

- Only use sheets with identic production number per project to avoid colour differences.



OVERVIEW DRAWING OF THE CONSERVATORY ROOF



A10 - A11: Posts, page 11, 22

A20 - A23: Gutters, page 12-14, 22

A30 - A33: Wall profiles, page 15, 22

A40 - A42: Rafters, side rafters, page 16-21

POSTS

The posts are delivered at a length of 2500 mm and must be cut-to-size.
 Determine the length of the posts ($H_N + H_G$) in function of the slope and the position of the wall profile (H_M).
 Your terrace covering is supported by 2 posts ($B = 4000$ mm) or by 3 posts ($B = 5000$ or 6000 mm)

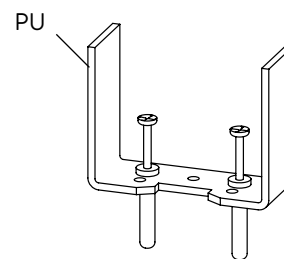
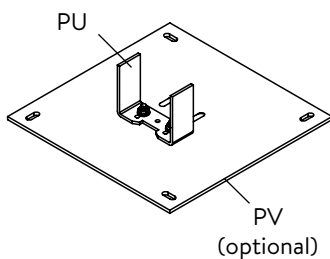
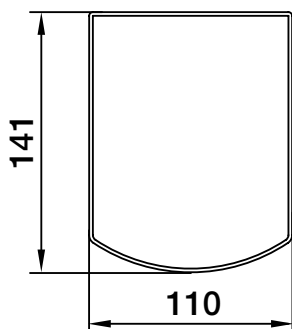
accessories for corner post

Base plate PV (optional) and U-shaped bracket

accessories for corner or middle post

U-bracket

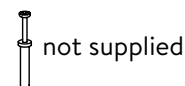
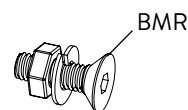
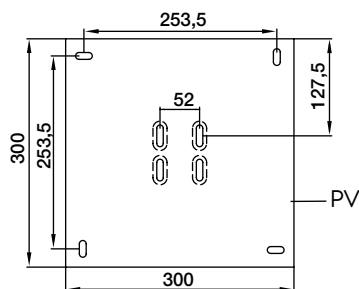
Post PX 110/141

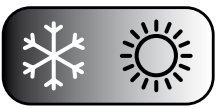


Bolt the U-bracket to the PV base plates (fig A) using the BMR screw set (fig B) for the corner posts. Determine the position of the PV base plates as indicated on page 6 and anchor these on a solid foundation in concrete using the suitable fixing accessories (not supplied). Position the U-bracket correctly on the base plate and fix it. The U-bracket for the middle posts can be installed without a base plate directly on a solid basis. Position the posts over the brackets. Position these perpendicularly (level) and shore these temporarily to ensure they do not fall over. The top part of all posts must be completely aligned and level.

Fig. A

Fig. B



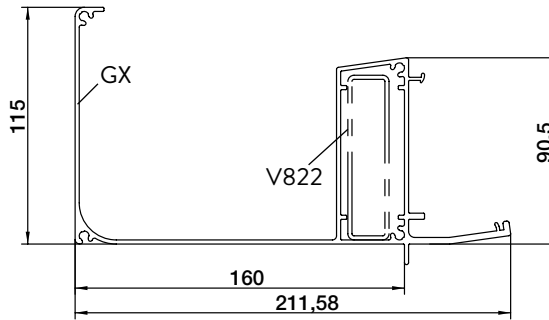


GUTTER

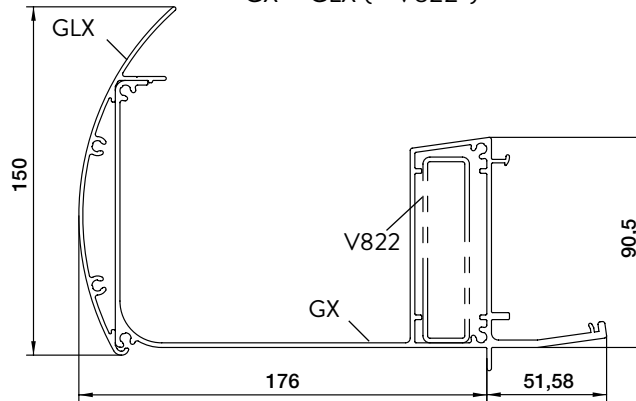
Multiple gutter combinations are possible.
Use the load graphs on page 24-26.

gutter combination (with reinforcement profile*

GX (+ V822*)



GX + GLX (+ V822*)



Make sure there is a play of 10 mm if the gutter combination is to be installed between two walls. The 5 mm clearance on each side is required for the installation of the slide ends.

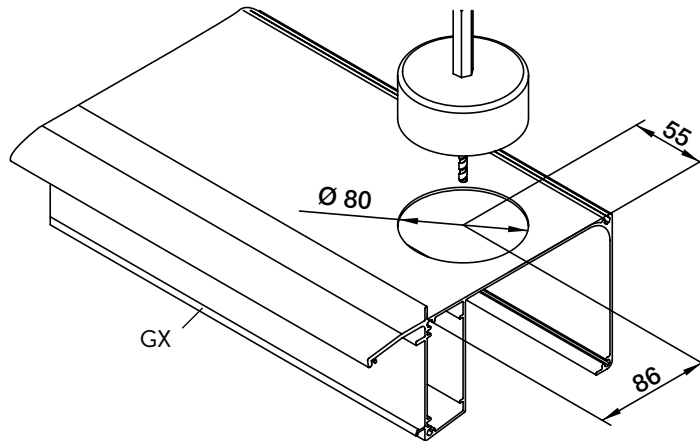
Pre-drilling is required to install the U-brackets if the gutter (rafter) is reinforced with a steel profile. The use of strong self-drilling screws is recommended.

* The reinforcement profile V822 is not supplied. It can be bought at any local hardware store.

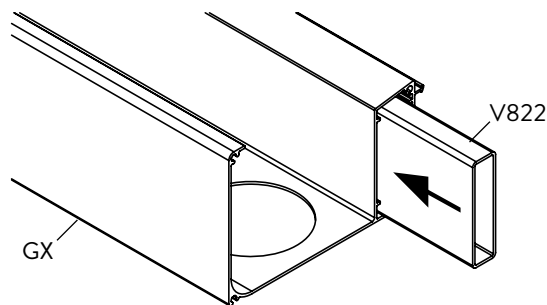
We recommend treating the reinforcement profiles with an anti-corrosion product.

GUTTER GX

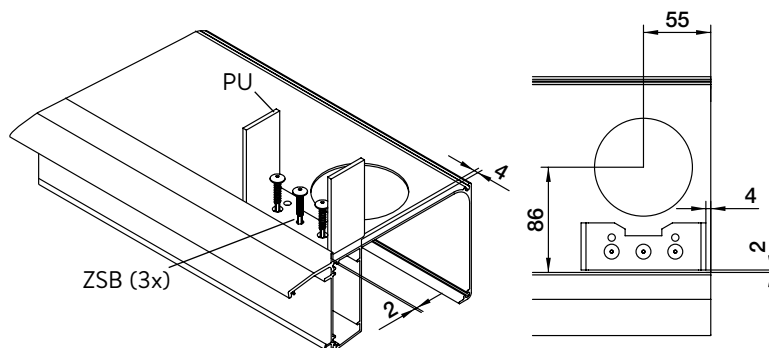
ASSEMBLE THE GUTTER COMPONENTS TO PREPARE FOR THE INSTALLATION OF THE GUTTER



Cut out the opening for the water outlet.
Use a Ø 80 mm circular drill (not supplied).

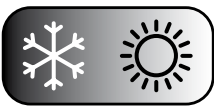


Slide in the reinforcement profile V822 (optional).



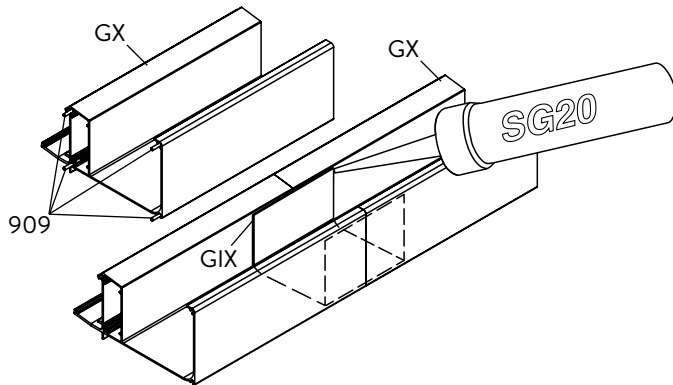
Installation of the U-bracket PU
Use the post caliber for the correct positioning.

* The reinforcement profile V822 is not supplied. It can be bought at any local hardware store.
We recommend treating the reinforcement profiles with an anti-corrosion product.

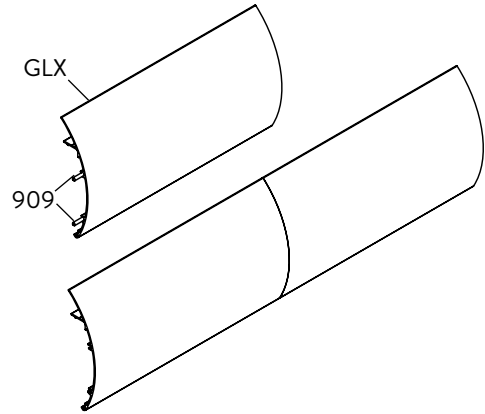


GUTTER

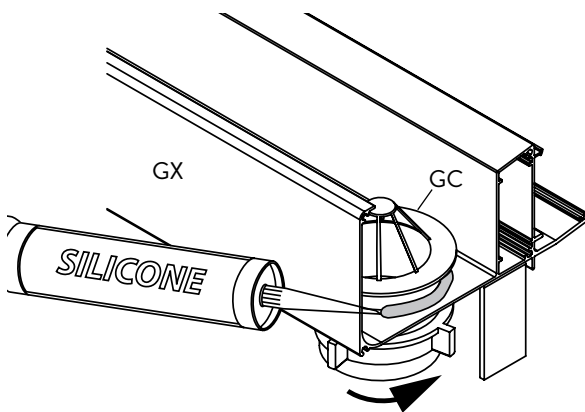
Multiple gutter elements can be connected to each other for gutter lengths > 7 m. A gutter support must be installed at every gutter connection point. The gutter profiles can be linked using connection pins 909 and the connector profile GIX. Use silicone SG20 as sealant.



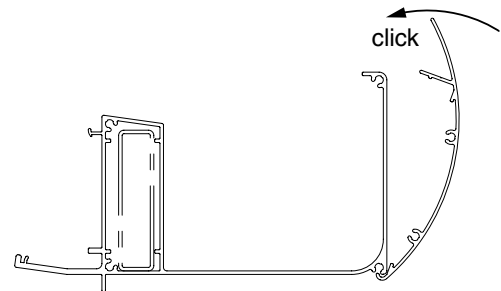
GX + GIX + 909 (4x)



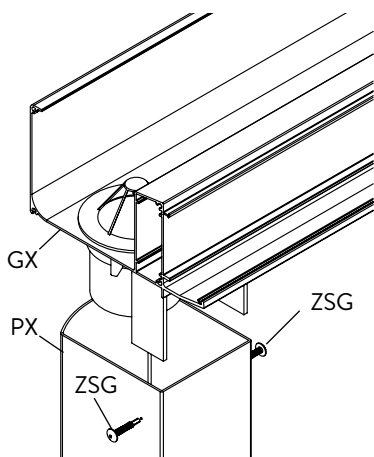
GLX + 909 (2x)



Install the water outlet in the gutter opening and seal using silicone.



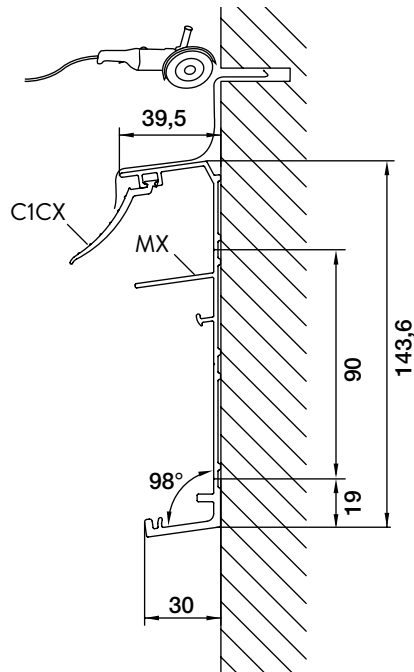
The optional ornamental frame GLX is clipped by a turning movement on to the gutter. Start at one of the ends.



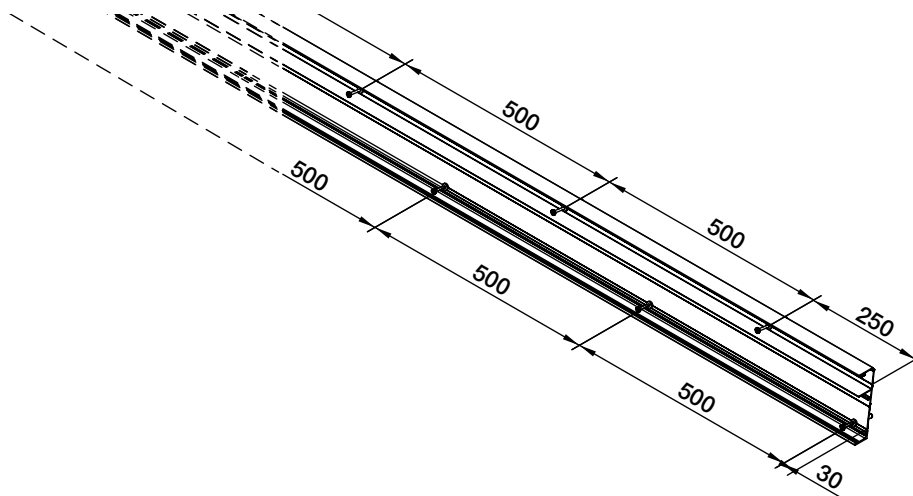
Place the pre-assembled gutter on the posts and fasten the construction using lacquered screws ZSG. The gutter slide ends must be pre-installed now if the gutter is installed between two walls (see page 22).

WALL PROFILE

Components



Preparation



Install a lead slab to ensure a waterproof junction to the walls. Make a slot in the walls against which the conservatory roof is to be installed (page 7). Install a lead slab or zinc flashing.

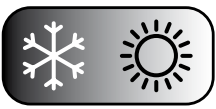
Drill a hole in the wall profile MX at 250 mm from the ends and subsequently every 500 mm at the top indication line with a diameter in function of the chosen fixing material. Drill also a hole every 500 mm in the bottom indication line and start at 30 mm from the edge.

Important: Slight the rubber C1CX in the profile MX before mounting.

Installation

Fix the wall profile using the adapted anchoring. The holes in the bottom wall profile correspond to the height $H_M + 19$ mm and $H_M + 109$ mm on the wall.

Finish the top side of the wall profile with silicone and with a lead slab or zinc flashing built-in in the wall.

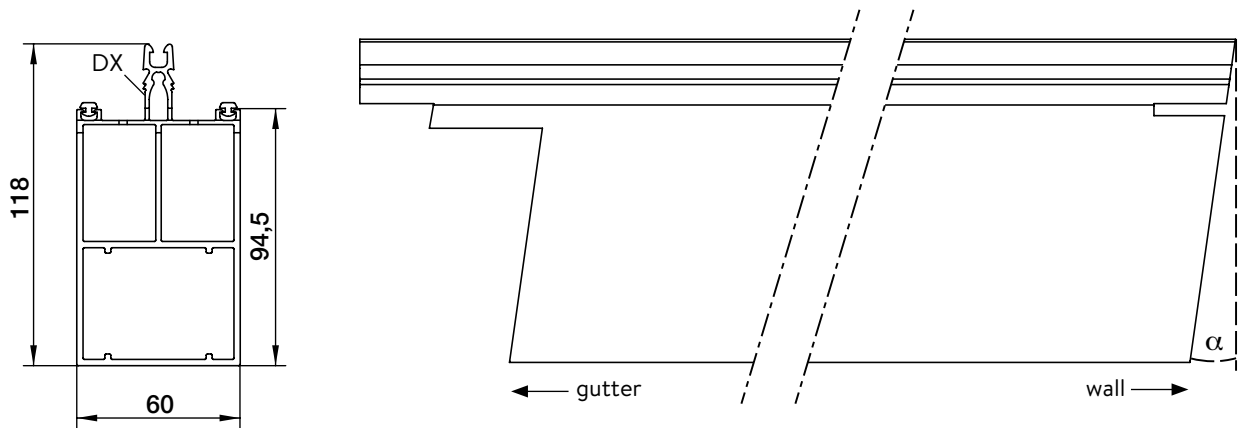


RAFTERS AND SIDE RAFTERS

The rafters are pre-cut at the wall and gutter side. The slot at the wall side corresponds to the rib of the wall profile. Check the rafter lengths in function of the glazing + snow and wind load (Use the load graphs on page 24)

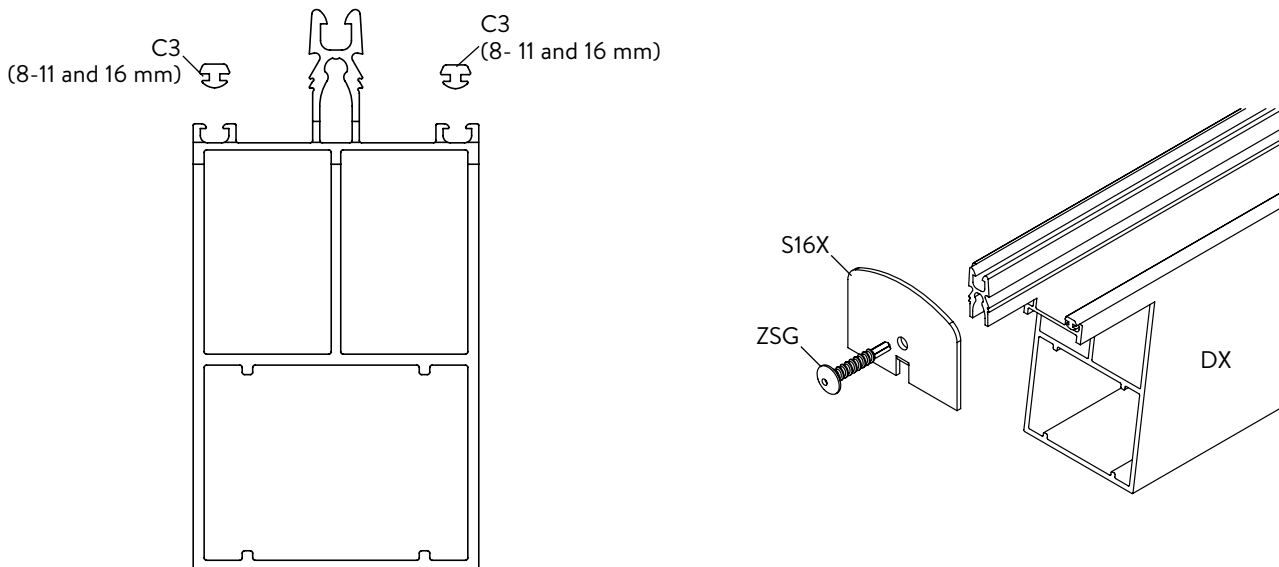
Components

Rafter DX + C3



The rafters DX are pre-cut-to-size.

Preparation

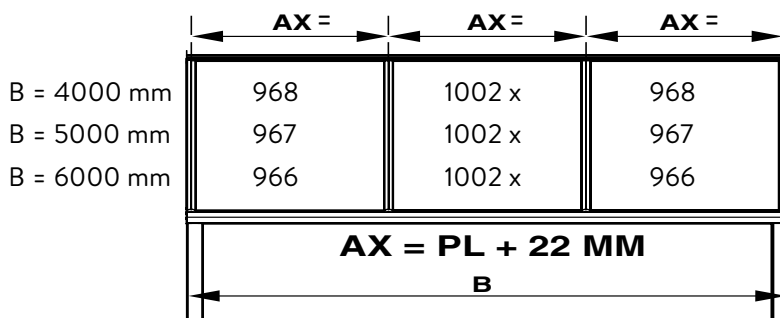


Fix the support seals on both sides of the rafter DX:
C3 for glazing thicknesses 8-11 and 16 mm

Fasten the stop profiles S16X on to the gutter side of
the rafters with the supplied ZSG screws.

RAFTERS AND SIDE RAFTERS

Installation



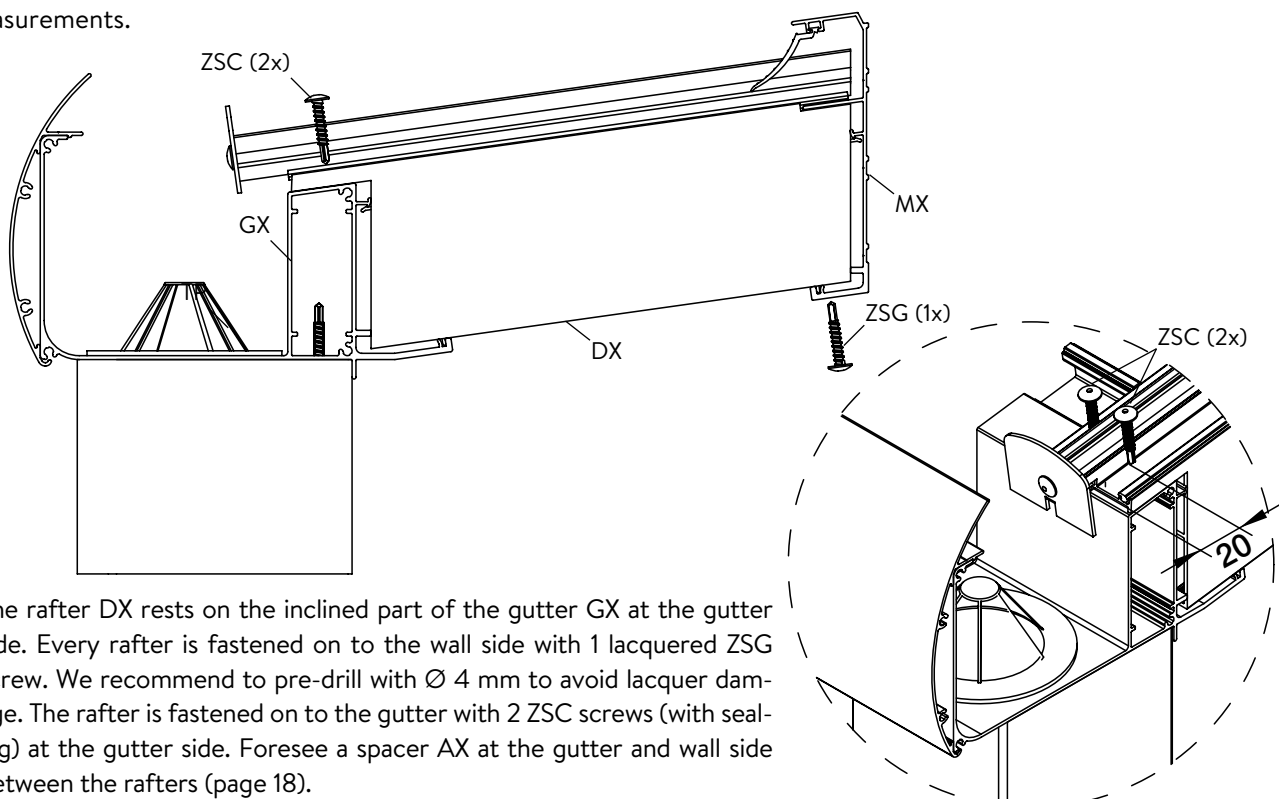
The number of rafters and their position must be determined in function of the glazing and the load. Check the axis distance in relation to the depth of the conservatory (D) and the load (glazing + snow and wind). See the graphs on page 24-26.

The total width of polycarbonate or acrylic plastic sheets is used except for the left and/or right sheet which may be cut to fit. For the correct sheet sizes, see table page 5. The axis distance between the spacers $AX = \text{sheet width } PL + 22 \text{ mm}$. Take into account a lateral clearance of 5 mm on each side. All useful information for the processing and installation of glazing plastics can be found on page 8 & 9.

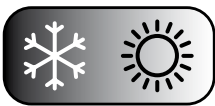
Divide the total width in equal parts of maximum 750 mm for glass. The glazing quantity is determined as following : $(B-60 \text{ mm}) / 750$ rounded off upwards. The width of the glazing is determined as following: $((B-60 \text{ mm}) / \text{glazing units}) - 22 \text{ mm}$. please follow the instruction of your glass supplier.

Installation on the gutter GX

Mark out the positions of the rafters on the profiles (on the gutter and the wall) and check the axis-on-axis measurements.

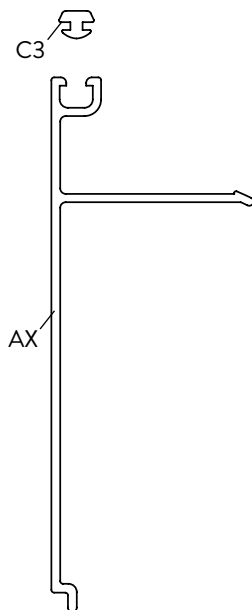


The rafter DX rests on the inclined part of the gutter GX at the gutter side. Every rafter is fastened on to the wall side with 1 lacquered ZSG screw. We recommend to pre-drill with $\varnothing 4 \text{ mm}$ to avoid lacquer damage. The rafter is fastened on to the gutter with 2 ZSC screws (with sealing) at the gutter side. Foresee a spacer AX at the gutter and wall side between the rafters (page 18).



SPACERS

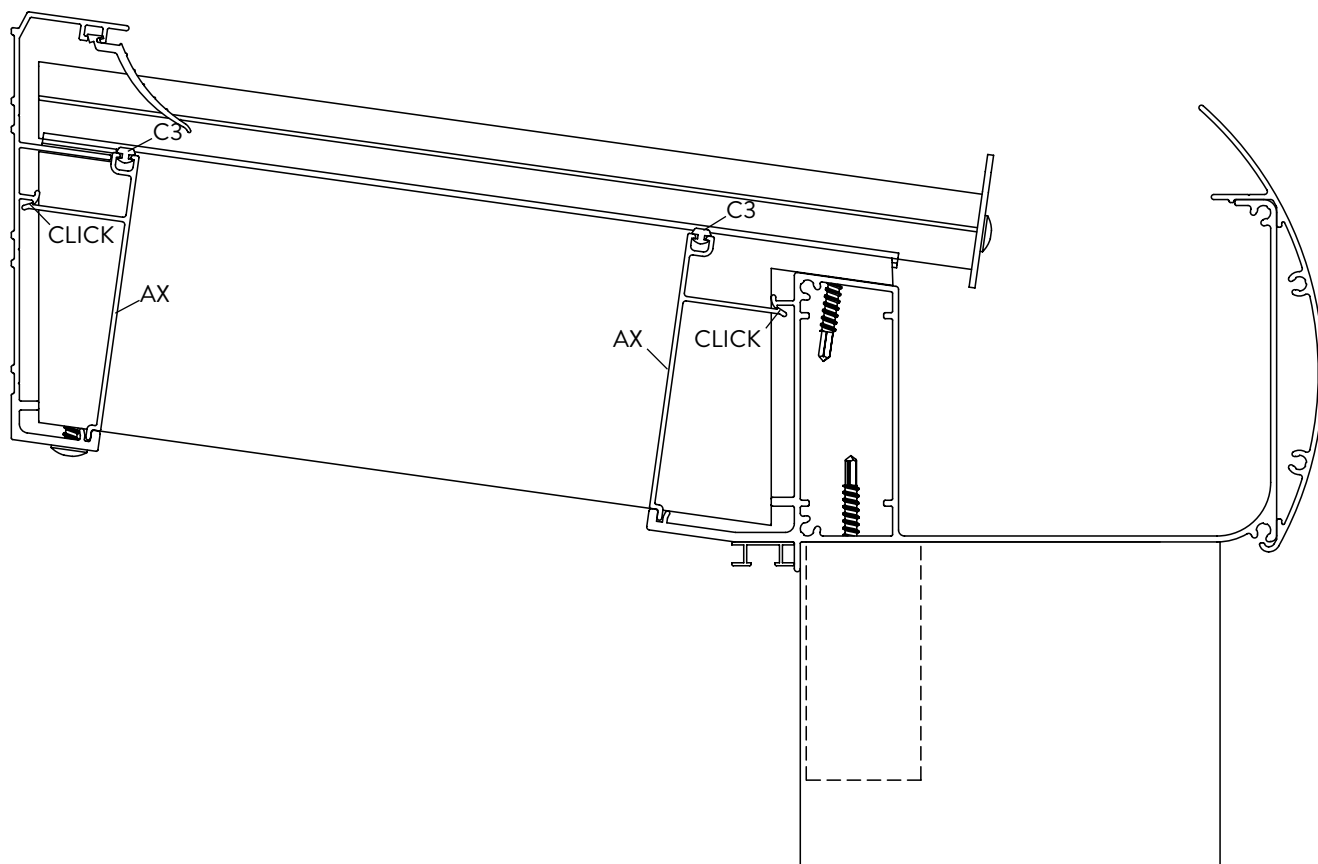
Preparation spacers AX



The spacers AX are delivered at a length of 942 mm. You'll have to cut-to-size 4 spacers for the lateral pieces at the left and the right side. The correct length (908/ 907/ 906 mm) depends from the width B, which you'll find in the table of page 5.

Fix a sealant C3 on every spacer.

Installation spacers AX

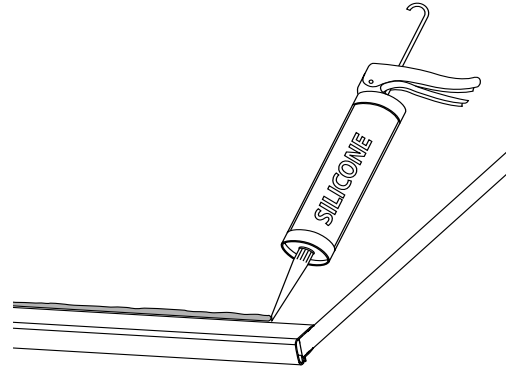


GLAZING: PLASTIC SHEETS

Preparation

The thickness of the plastic sheets is 16 mm. All sheets must be cut-to-size in function of the depth D. you'll find the correct length in the table of page 5. Only the left and/or the right sheet are cut to size. Take into account a lateral clearance of 5 mm on each side (page 17). Ensure each sheet has an end profile on the gutter side. Check whether the end profile is perforated at the bottom. This is required for proper water drainage. Ensure that the UV protected side of the sheet is always upwards. All useful information for the processing and installation of glazing plastics can be found on page 8 & 9.

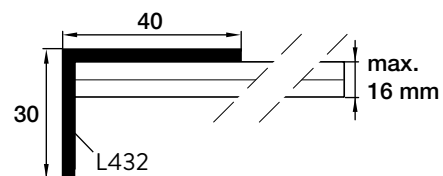
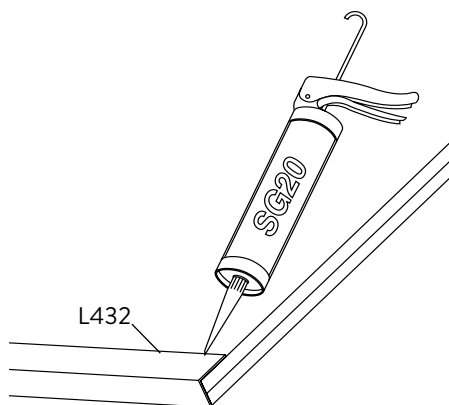
Apply a silicone sealant that does not affect plastic material at the upper edge of the end profile. Ensure that the multiple-walled plastic sheets have sufficient slope to be able to appeal to the guarantee.



GLAZING: GLASS SHEETS

Preparation

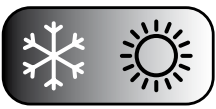
The maximum thickness of the glass sheets is 10 mm. Always use laminated glazing (44.2 or 55.2) in your conservatory roof according to the applicable standards. Consult your glass supplier.



Stick a L-shaped end profile L432 on the crosscut side of the glass. Use silicone SG20.

Glazing connection

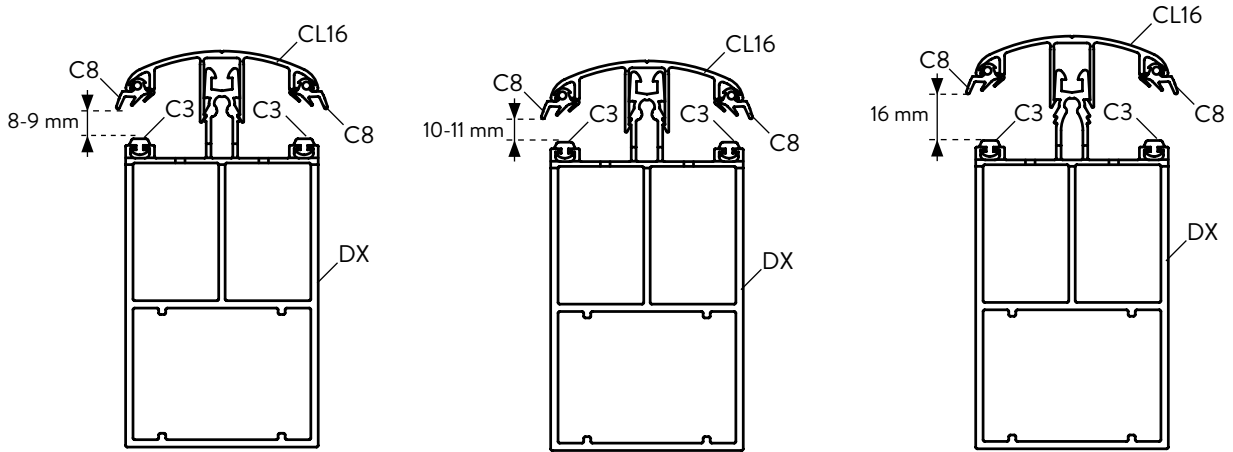
When the glazing (plastic sheets or glass) consists of multiple parts, the parts can be connected using glass connection profiles. Specific installation instructions can be requested.



FINISH

RAFTERS

CLIP FINISH



Push seal C8 on both sides into the clips. Ensure that seal C8 does not continue up to the end of the gutter side but to the end profile on the glazing. CL16 is fastened with the clips to the rafter.

There are 3 positions for the clips:

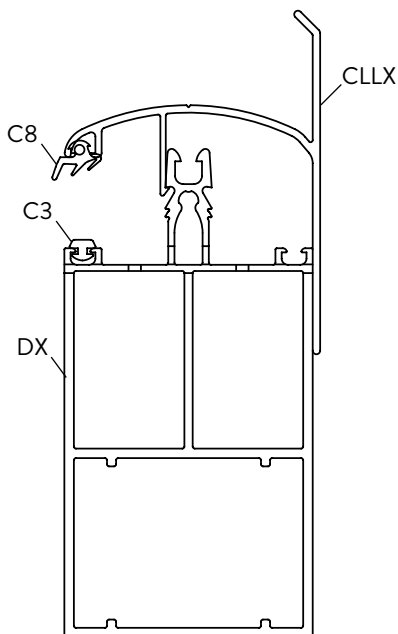
Position 1: for glass 44.2, thickness 8 – 9 mm

Position 2: for glass 55.2, thickness 10-11 mm

Position 3: for 16 mm synthetic sheets

The clips are fastened manually using a rubber hammer and a plank. Ensure the clips are not dented.

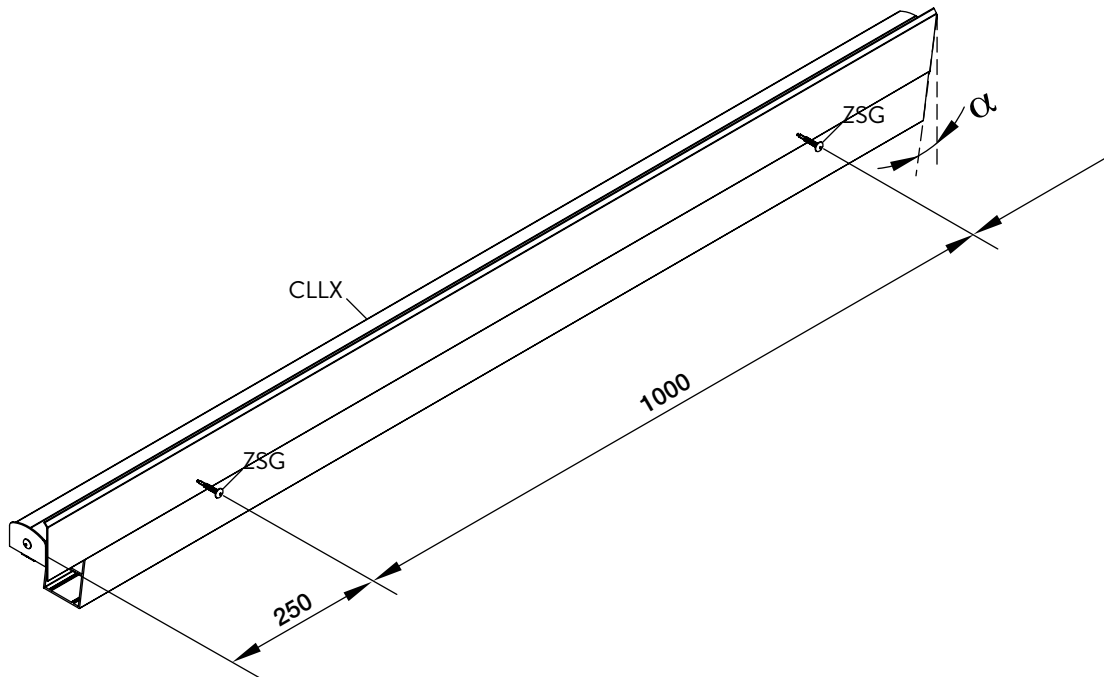
SIDE RAFTERS



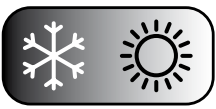
CLLX for plastic sheets or glass with a thickness of 8 -11 mm or 16 mm : fix the seal C8 at 1 side in the clips.

SIDE RAFTERS

MOUNTING SIDE CLIPS

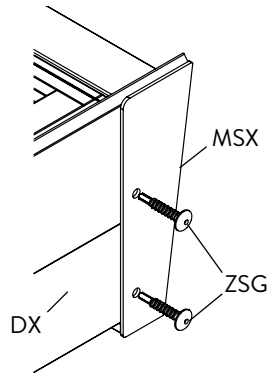


The CLLX profile must be bevelled according to the roof inclination α . The bevelled side comes against the wall. Position the CLLX profile at the outside against the rafter and press manually or use a rubber hammer with a plank. If you work with VRIJSTAAND or against the wall, it is necessary to fasten the CLLX profile every metre laterally against the rafter (with ZSG) or against the wall.



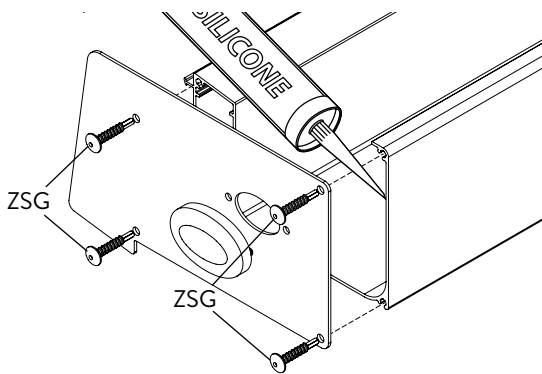
FINISH

WALL PROFILE

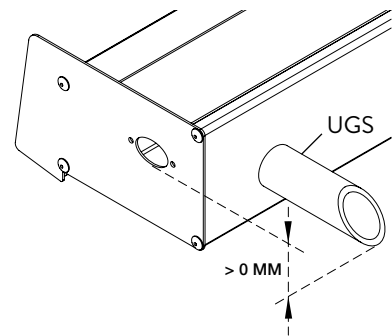


Fasten the MSX slide end on to the VRIJSTAANDE / freestanding sides of the wall profile with 2 ZSG screws in the rafter DX. Only fasten the MSX after the installation of the roof is finished.

GUTTER

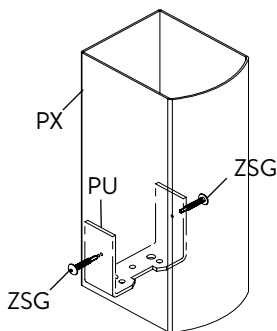


Install the slide ends and click the plastic plug in the corresponding holes. Apply a silicone sealant to the interior of the slide end.

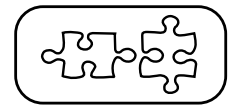


A frontal UGS water outlet is required to ensure that the water can flow outside when the water drainage is obstructed if the gutter has a wall on both sides. Drill an opening with a \varnothing of at least 33 and no more than 35 mm at the front of the gutter. This opening should be lower than the overflow in the gutter and the panels.

POSTS



Check if the posts are perfectly vertical (level) and fasten at the bottom and top in the U-brackets with 2 lacquered screws ZSG. We recommend to pre-drill with \varnothing 3 - 4 mm to avoid lacquer damage.



LOAD GRAPHS

GENERAL CONSIDERATIONS

The following pages contain the load graphs for the Climalux® profile system. You can use these to determine the free span of the gutter profiles and the supports in relation to the prescribed load.

A distinction is made between Climalux® roofs with plastic sheets and Climalux® roofs with single and double glazing.

The maximum allowable bending is 1/200 (= 1 cm per 200 cm free span) with plastic sheets.

This includes the weight of the structure and the plastic sheets. Select the graph in relation to **the prescribed snow and wind load**. This depends on the region and the orientation.

The maximum allowable bending is 1/300 (= 1 cm per 300 cm free span) with single glazing.

This is including the weight of the structure. In order to determine the total load, add **the weight of the glazing to the prescribed snow and wind load**. To determine the weight of the glazing, calculate 2.5 kg per m² and per mm thickness. Example: single glazing with a thickness of 8 mm weighs 8 x 2.5 = 20 kg/m². After converting into N/m² x factor 9.81, this results in 20 x 9.81 = 196.20 N/m². Suppose the prescribed snow and wind load is 500N/m² and the glazing is 200 N/m², the total load would be approximately 700 N/m². In order to limit the weight of the glazing, the axis distance between the support profiles (AX) is limited to a maximum of 750 mm. The total width of the roof is divided into equal parts.

The bending of 1/200 of 1/300 is achieved with a maximum load. For example, a gutter support of 5000 mm with a maximum bending of 1/300 will bend 16.6 mm when loaded. Less if unloaded

These graphs do not apply with regard to a continuous support or a structure under the gutter profiles installed by the customer.

The gutter profiles may put pressure on supporting window profiles when installed on top of each other. A possible bending of the gutter profile above the sliding doors should, therefore, be taken into account.

When the selected gutter (support) cannot be installed where a certain span or load is concerned, select a gutter support that can handle a larger span. You could also install an extra post to decrease the free span.

“Span” refers to the distance between the posts. The total width of the roof = the free span + the width of the posts.

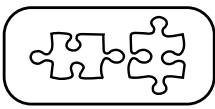
The roof's supporting posts should always be located at the corners of the roof. We do not recommend moving the post supports inwards.

Any sun blind installed on the profiles are at your own risk and should be included in the calculation as an additional load.

In case of large spans or loads, the use of a reinforcement profile is recommended. These are slid into the aluminium profiles. The reinforced profile V822 is not supplied. This can be bought at any local hardware store. We recommend treating the reinforcement profile with an anti-corrosion product.

The selection of required fixing material is dependent on the foundation or the walls. Check whether the foundation and the walls on which the structure is to be anchored have a sufficient load-bearing capacity. The installer is responsible for the assessment of the appropriate fixing materials for the load and basis on which the structure is to be fixed. Please contact your fixing material supplier or specialised engineering consultants in case of doubts. Skylux cannot be held liable for the installation or the fixing material used.

We recommend removing any snow from the roof to prevent accumulation against the wall by the wind. When snow on a higher roof can slide on to the Climalux® roof, measures must be taken to prevent this, for example, by using snow hooks and snow beams.



LOAD GRAPHS RAFTERS

FOR ROOFS WITH PLASTIC SHEETS OR GLASS

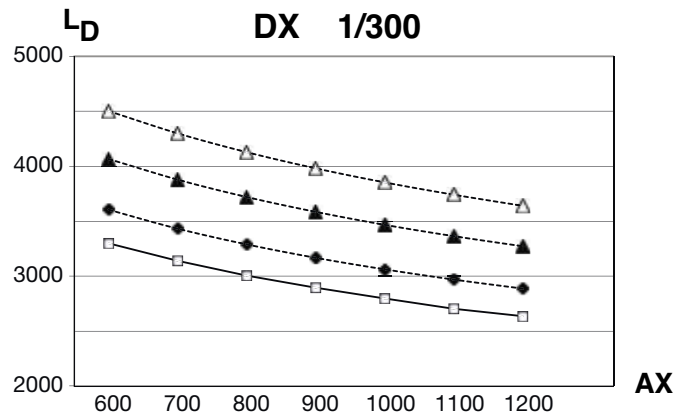
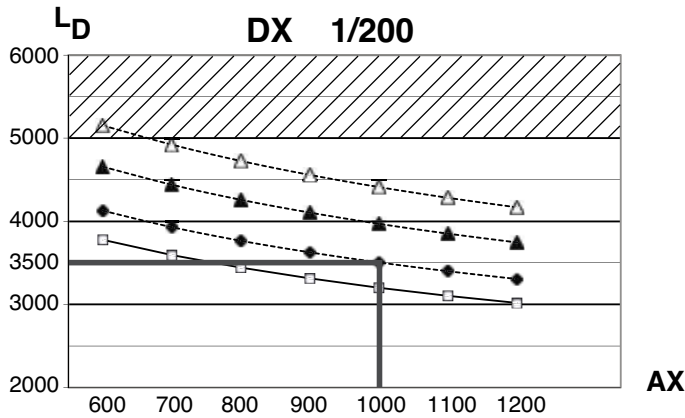
The graphs below can be used to determine the free span for the rafter DX. This is the maximum length of the rafter in function of the load and the depth (D) of your roof. The maximum bending is 1/200 (plastic sheets) or 1/300 (glass). Eg. A bending of 1 cm for a free span of 200 cm or 300 cm. The **load** is related to the **snow and wind load**.

Practical example:

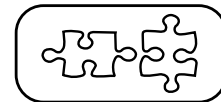
The axis distance (AX) between the rafters is 1000 mm (= for plastic sheets with a width of 980 mm). The depth (D) of the roof is 3500 mm. Determine the point on the graph "1/200".

The maximum bending (1/200) with load is 17,5 mm. Less if unloaded.

The maximum deliverable length of the rafters is 5 metre.



- Δ--- 350 N/m²
- ▲--- 500 N/m²
- ◆--- 750 N/m²
- 1000 N/m²



LOAD GRAPHS GUTTER PROFILES FOR ROOFS WITH PLASTIC SHEETS

The graphs below can be used to determine the free span for each type of gutter (support). This is the distance between your supports (posts) in function of the load and the depth (D) of your roof. The maximum bending is 1/200. The **load** is related to the **snow and wind load**.

Practical example:

The roof has a width (B) of 4000 mm and a depth (D) of 3500 mm. The prescribed load is 500 N/m² (~ 50 kg/m²). The roof is provided with multi-walled plastic sheets.

Determine the point in the “500 N/m² & 1/200” graph and select a gutter (support) above this point.

The graph now has two options:

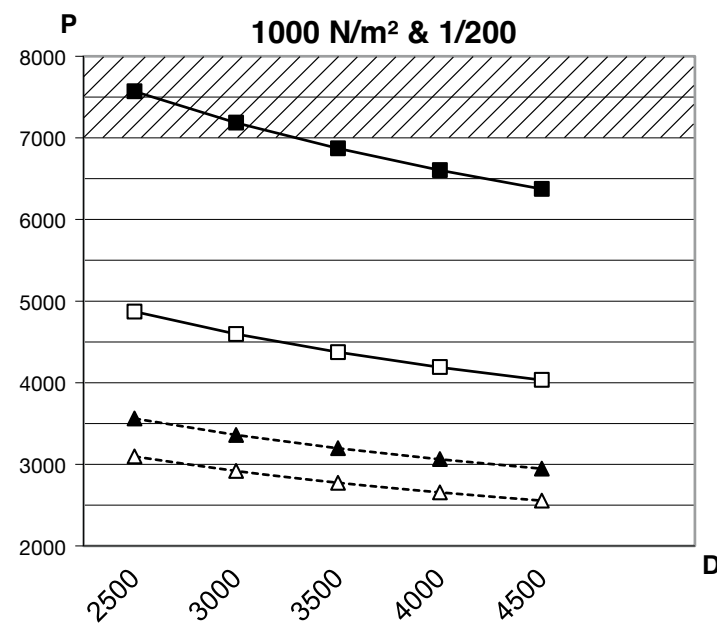
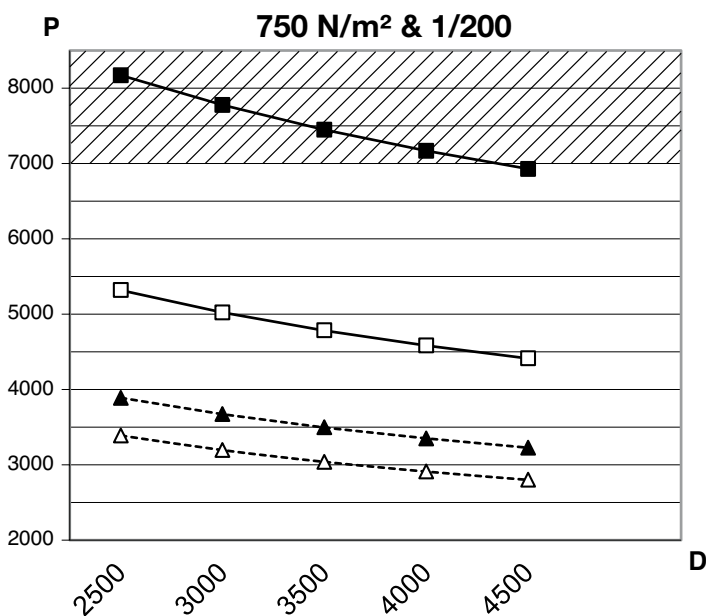
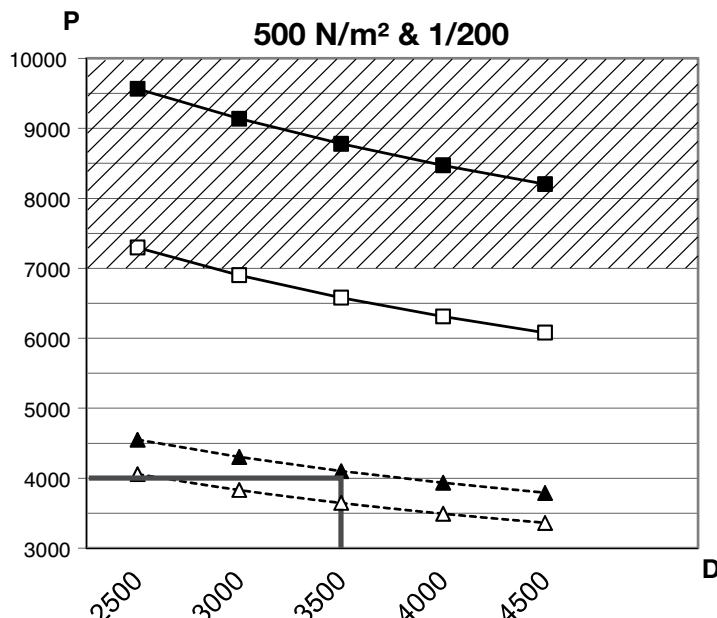
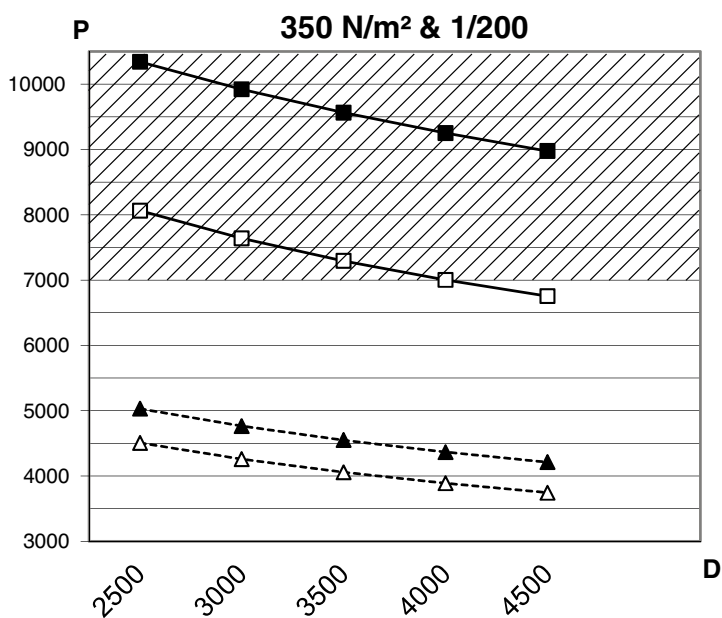
Either you select the gutter GX with reinforcement V822 which allows a free span of 4100 mm.

Or you select a gutter rafter GX for maximum span of 3645 mm. You then have to install an extra post in the middle for support.

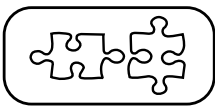
The span is the distance (P) between the posts. In this example, the width can be 4320 mm where the free span (P) between the posts = 4320 - (2 x 110) = 4100 mm.

The bending in the middle with a load of 500 N/m² is 1/200 or 400/200 = 20 mm. Less if unloaded.

The maximum deliverable length of the gutter profiles is 7 metre.



---△--- GX
 ---▲--- GX + V822
 —□— GDX
 —■— GDX + V14105



LOAD GRAPHS GUTTER PROFILES FOR ROOFS WITH GLASS

The graphs below can be used to determine the free span for each type of gutter (support). This is the distance (P) between your supports (posts) in function of the load and the depth (D) of your roof. The maximum bending for a construction with glass is 1/300. **The load is the sum of the weight of the glazing and the snow and wind load applied to the roof.**

Practical example:

The roof has a width (B) of 3000 mm and a depth (D) of 3500 mm. The prescribed load is 500 N/m² (~ 50 kg/m²). The glass weighs 25 kg/m² (ca 250 N/m²). The total weight is 750 N/m².

Determine the point in the “750 N/m² & 1/300” graph and select a gutter (support) above this point.

The graph now has two options:

Either you select the gutter GX with reinforcement V822 which allows a free span of 3170mm.

Or you select a gutter rafter GX without reinforcement V822 for maximum span of 2800 mm. You then have to install an extra post in the middle for support.

The maximum bending (1/300) in the middle with a load is 3000/300 = 10 mm. Less if unloaded.

The maximum deliverable length of the gutter profiles is 7 metre.

