

EN

Cintralux[®] suspension ceiling

Mounting instructions


SKYLUX
Hello daylight!

Safety

Take the necessary and required safety precautions, such as safety nets and lifelines when installing from the outside, safety goggles, gloves, hard hat, etc.
Do not step on the glass.



Falling from height

- When using ladders to go on the roof:
 - Ladder in good condition?
 - Set up correctly at an angle of 75°?
 - Secured below and on top against moving?
 - Don't take heavy material with you on the ladder (3-point contact rule)! If possible, use a crane to lift the material.
- Do not lift material over the roof edge; use a crane to put the material on the roof.
- Roof zone: make sure the part of the roof where the skylight/barrel vault will be installed is safe enough, e.g. secure the edge (support system in the roof gutter that supports against the outer wall of the building, with suitable A B C categorie depending on the roof pitch) or use a scaffold so no one can fall off the roof. If the roof is not safe enough, always use a harness with lifeline (adapted to the fall height), attached to a suitable attachment point.
- Make sure the roof is stable and does not have dangerous openings or insufficient secure parts (e.g. corrugated sheets, ...). Take the necessary measures if this is not the case: strengthen, use suitable safety nets below the danger zones, ...
- Before making the roof opening for the skylight/barrel vault: make sure there are safety nets conform to the current legislation. The nets must be attached firmly and sufficiently to the building.
- When using an aerial work platform: always wear and secure your harness (mandatory)! Leaving the cage is forbidden.
- Never walk backwards on a roof, always walk forwards.
- Make sure there's enough light in the working zone.



Low-hanging obstacles and falling loads



- Forbidden to walk under or within a radius of 1 m of a hanging or lifted load.
- Demarcate the danger zone below the skylight/barrel vault, in the building as well as on the outside near the outer walls (in case material slides off the roof). If the zone is demarcated, people cannot be hit by any falling loads. It's prohibited to enter these danger zones during construction.

Crushing hazard



- All working tools are in good condition, provided with a valid CE label and all necessary safety regulations. These cannot be removed.
- People who use these working tools are educated for this purpose. Protections are always present on all working tools. They are in good condition and need to be set correctly.

Tripping/falling



- Safety is key and it begins with order and tidiness. Clean everything immediately, leave nothing lying around.
- Trash needs to be sorted.
- Be cautious with electric cables (danger of tripping/falling). Never walk backwards!
- Make sure there's enough light in the working zone.



Sharp objects

- Make sure your fingers/hands are not pinched and watch out for cuts while handling skylights or barrel vaults.
- Be careful where you put your hands during the installation.
- Wearing cut-resistant gloves is mandatory.



Ergonomics

- Always lift loads correctly: bend your knees, move your feet instead of forcing your spine, lift as close to your body as possible.
- Parts of more than 25 kg must be lifted with at least 2 persons.



Personal protective equipment



- Work clothes, safety shoes and helmet are mandatory for everyone.



- Lifeline and harness are mandatory if the edge is not secured enough or if there are no safety nets below the roof opening. They are also necessary when using an aerial working platform.



- Use gloves when handling skylight or barrel vault parts.



- Safety glasses and hearing protection are mandatory when using saws / grinders.

Always perform a Last Minute Risk Analysis!

If in doubt: STOP! Do not take unnecessary risks. Ask your supervisor if needed.

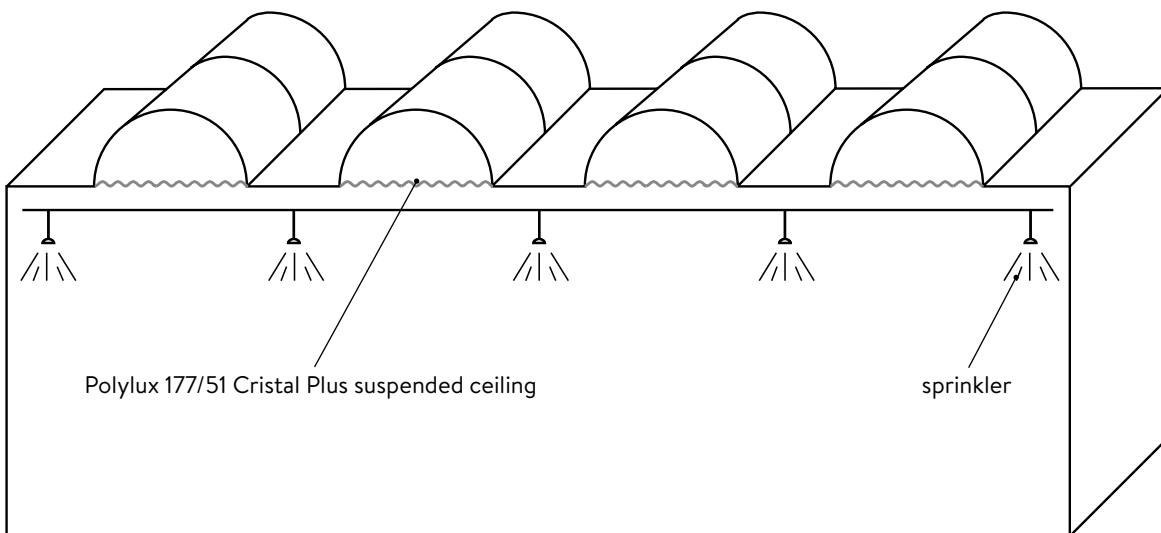
Contents

SAFETY	p. 2
GENERAL	p. 5
SAFETY PRECAUTIONS	p. 5
RESPONSIBILITY	p. 5
INSTALLATION	p. 6-9
INSTALLATION IN THE ROOF OPENING	p. 6-9
IMPORTANT	p. 10
FIXING MATERIALS	p. 10

General

Polylux 177/51 Cristal Plus suspended ceiling is the only clear, good translucent system that meets standard **NTN 137:2014 according to standard CEA 4001:2009 for Sprinkler Systems.**

According to the RINA-CISQ Federation FRM-04-008 R1 30072018, it's sufficiently translucent.



Safety precautions

Take all necessary precautions regarding your personal safety and that of other installers and the workplace. In addition, observe any local safety regulations. The Polylux 177/51 Cristal Plus suspended ceiling for sprinklers may only be fitted by well-informed or qualified installers. If there is uncertainty as to the method of placement, contact the distributor of this product prior to starting or continuing the installation.

Responsibility

The manufacturer of this suspension ceiling system for sprinklers guarantees the quality and certification of the product, as well as the description of how the installation should be carried out. However, the manufacturer disclaims any responsibility for faulty installations arising from failing to observe the assembly instructions or failure of the installer to comply with good workmanship practice.

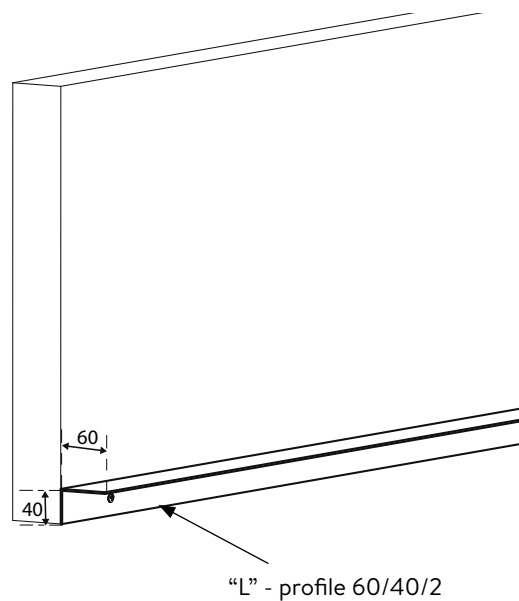
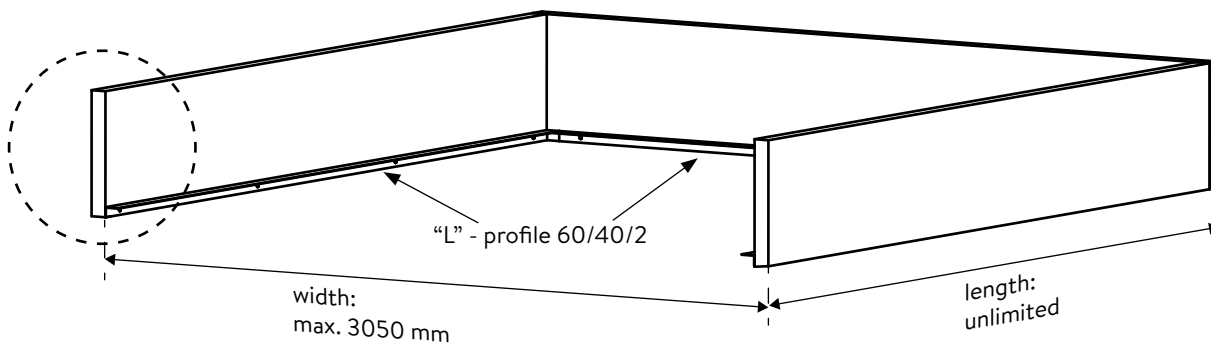
Installation

Note: Install the Cristal Plus 177/51 suspension ceiling before installing the barrel vault.

Installation in the roof opening

STEP 1: Installation in the daylight opening

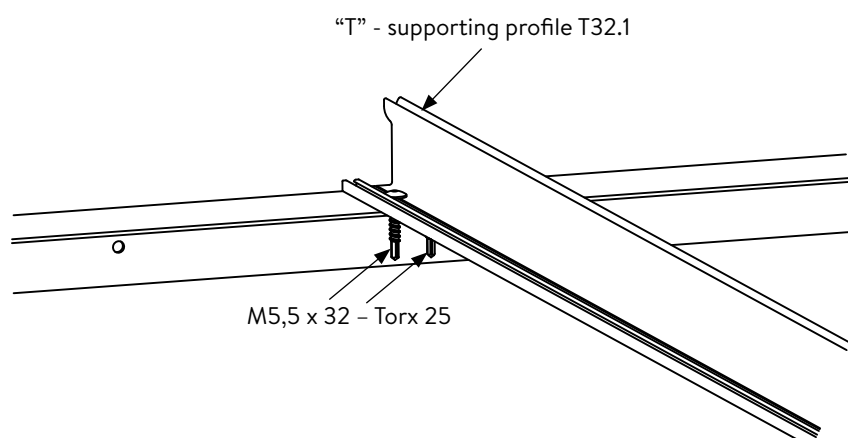
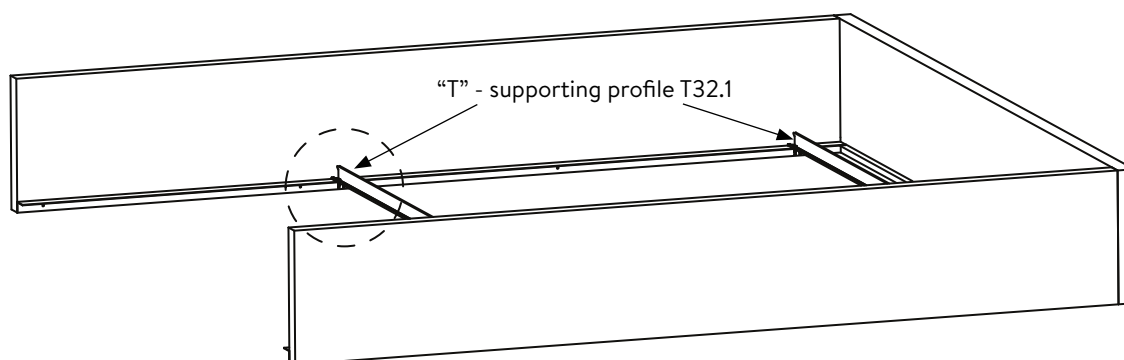
Screw the aluminium 'L'-profiles 60/40/2 (L632) securely around the roof opening so that they are firmly anchored on all four sides. Install the 40 mm side vertically and the 60 mm side horizontally. Use the appropriate screws for anchoring in the frame assembly. The maximum width of the roof opening is 3.05 m, the length is unlimited.



STEP 2: Install the cross profiles

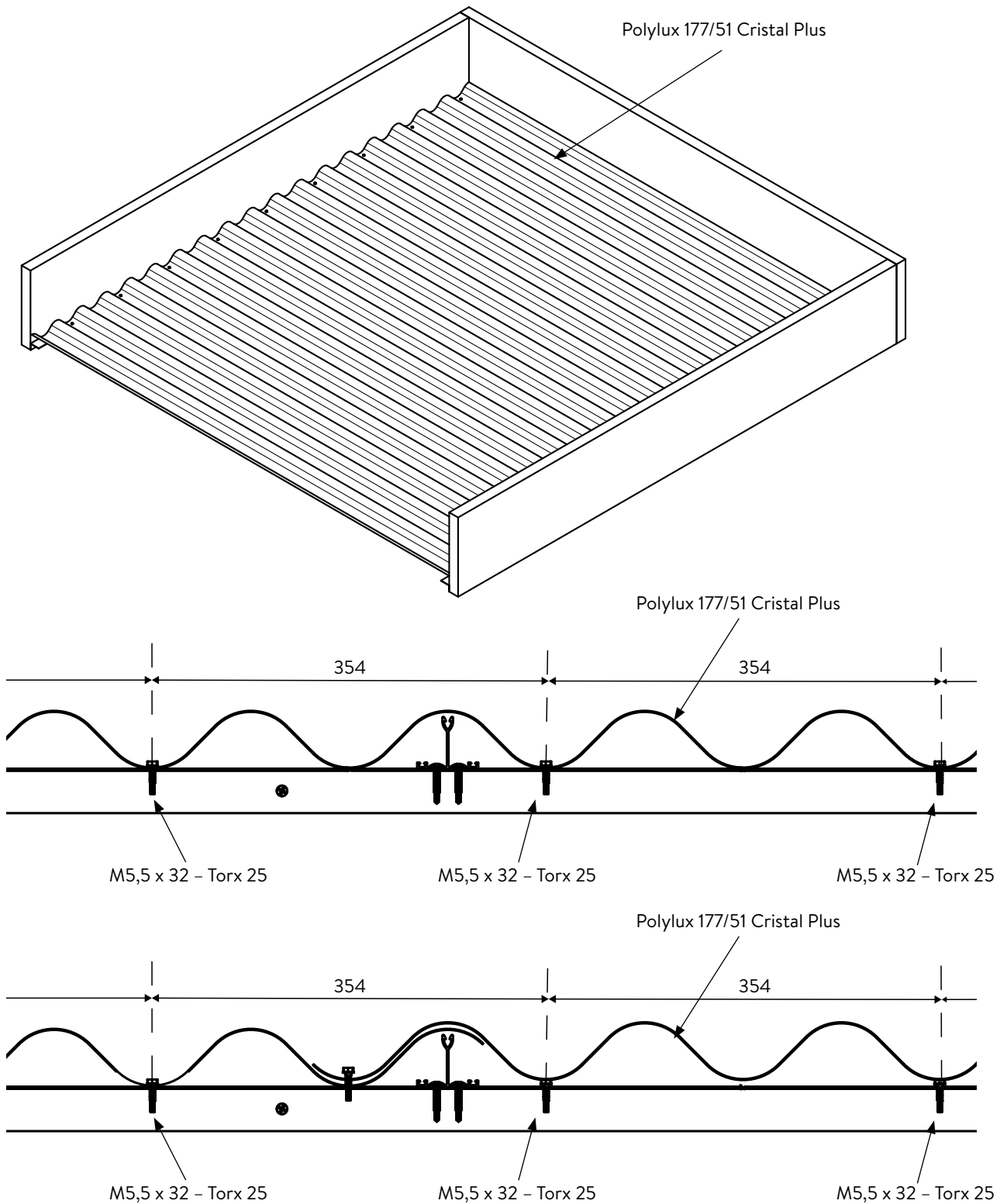
Mount the untreated aluminium 'T'-supporting profiles T32.1 every 1770 mm, across the 'L'-profiles (L632), or across the roof opening. Secure these with two of the supplied self-drilling stainless steel screws M5.5 x 32 - Torx 25 (20911), one on each side. Use the 'help' V-line in the upper side of the 'T'-supporting profile as a guide for where to screw them in; the distance to the roof opening is 30 mm. A supporting T-profile T32.1 must be installed for each sheet overlap (1 corrugation).

length (m)	item number
2	14222
2,5	14223
3	14224
3,5	14225
4	14226
5	14227
6	14228
7	14229



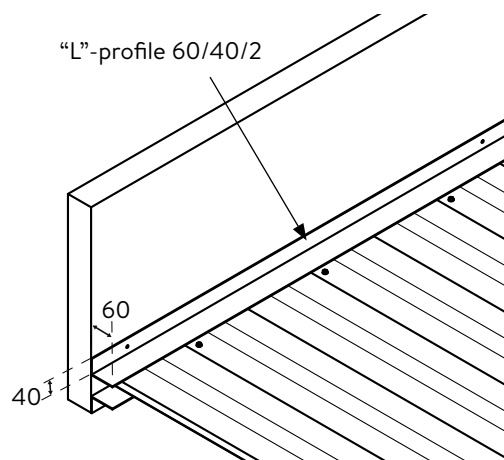
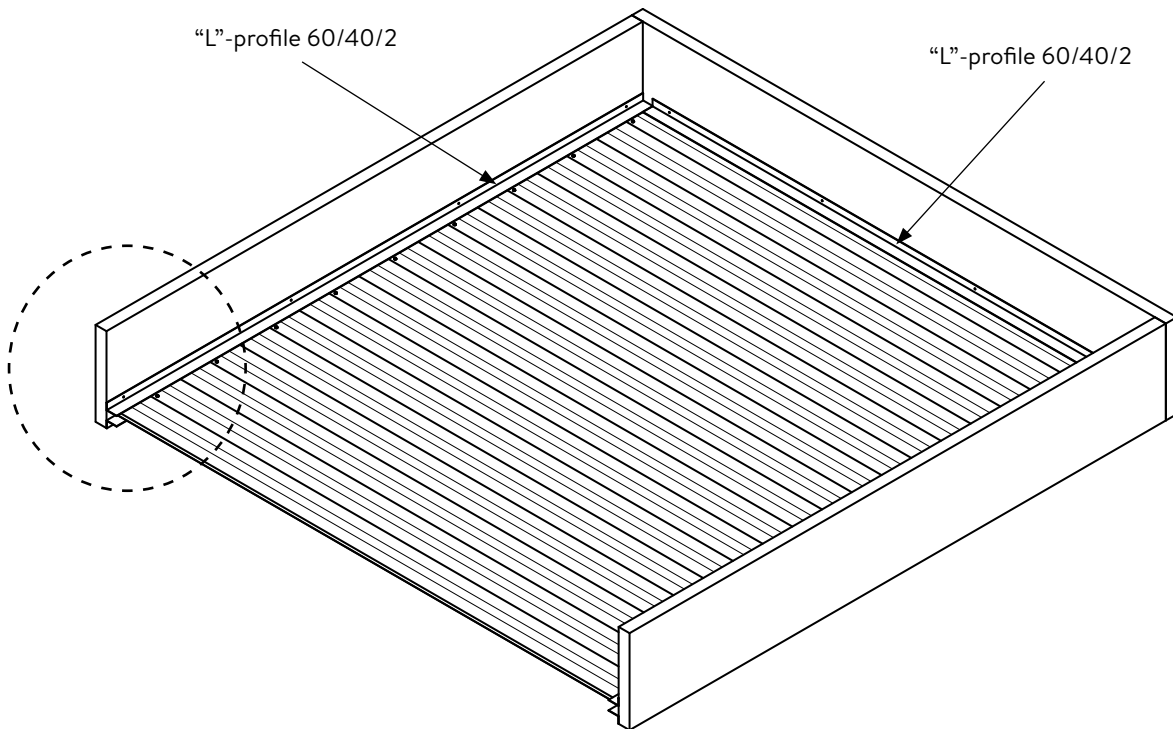
STEP 3: Installation of Polylux 177/51 Cristal Plus

Roll the Polylux 177/51 Cristal Plus into the frame just fitted with 'L'-profiles (L632).Screw every second groove of the ridge (= 354 mm) securely into the lower 'L'-profile (L632) with one of the supplied self-drilling stainless steel screws M5.5 x 32 - Torx 25 (20911).



STEP 4: Mount the upper profiles

Now install the second aluminium 'L'-profile 60/40/2 (L632) at the level of the upper end of the ridge 177/51. Also screw the upper 'L'-profile into the roof opening so that everything is firmly anchored. Do this all around the roof opening. Once again, install the 40 mm side vertically and the 60 mm side horizontally. If applicable, each ridge overlap must equal at least one full ridge.



Important

It's important that the Polylux 177/51 Cristal Plus is in the same level as the ceiling finish for optimal operation. The placement length in the direction of the ridges is unlimited. Across the direction of the ridges, the size is limited to a daylight opening of 3,150 mm. This results in a sheet width of a maximum of 3,050 mm. Polylux 177/51 Cristal Plus must be installed before placing barrel vaults in the roof.

Fixing materials

If other fixing materials are used than those described in these mounting instructions, permission must be requested from the architect or by performing a static calculation or after an approved evaluation. The fixing material must perform equal to or better than what's described in the instructions. In this case, the spacing of the fixing points should be identical to the specifications mentioned in these assembly instructions.

Polylux 177/51 Cristal Plus suspended ceiling is the only clear, good translucent system that meets standard NTN 137:2014 according to standard CEA 4001:2009 for Sprinkler Systems.
According to FRM-04-008 R1 30072018 of RINA-CISQ Federation, Cristal Plus meets the light transmission requirements.

ONLY USE ORIGINAL PARTS DELIVERED BY SKYLUX. EVERY GUARANTEE IS CANCELLED IF NON-ORIGINAL PARTS ARE USED.

SKYLUX® IS A REGISTERED BRAND OF SKYLUX
SPINNERIJSTRAAT 100 - B-8530 STASEGEM
T +32 (0)56 20 00 00 - F +32 (0)56 21 95 99
INFO@SKYLUX.BE
WWW.SKYLUX.BE

