



EN

# Skylux<sup>®</sup> SHE 160°

Mounting instructions

  
**SKYLUX**  
*Hello daylight!*

# Safety

Take the necessary and required safety precautions, such as safety nets and lifelines when installing from the outside, safety goggles, gloves, hard hat, etc.  
Do not step on the glass.



## Falling from height

- When using ladders to go on the roof:
  - Ladder in good condition?
  - Set up correctly at an angle of 75°?
  - Secured below and on top against moving?
  - Don't take heavy material with you on the ladder (3-point contact rule)! If possible, use a crane to lift the material.
- Do not lift material over the roof edge; use a crane to put the material on the roof.
- Roof zone: make sure the part of the roof where the skylight/barrel vault will be installed is safe enough, e.g. secure the edge (support system in the roof gutter that supports against the outer wall of the building, with suitable A B C category depending on the roof pitch) or use a scaffold so no one can fall off the roof. If the roof is not safe enough, always use a harness with lifeline (adapted to the fall height), attached to a suitable attachment point.
- Make sure the roof is stable and does not have dangerous openings or insufficient secure parts (e.g. corrugated sheets, ...). Take the necessary measures if this is not the case: strengthen, use suitable safety nets below the danger zones, ...
- Before making the roof opening for the skylight/barrel vault: make sure there are safety nets conform to the current legislation. The nets must be attached firmly and sufficiently to the building.
- When using an aerial work platform: always wear and secure your harness (mandatory)! Leaving the cage is forbidden.
- Never walk backwards on a roof, always walk forwards.
- Make sure there's enough light in the working zone.



## Low-hanging obstacles and falling loads



- Forbidden to walk under or within a radius of 1 m of a hanging or lifted load.
- Demarcate the danger zone below the skylight/barrel vault, in the building as well as on the outside near the outer walls (in case material slides off the roof). If the zone is demarcated, people cannot be hit by any falling loads. It's prohibited to enter these danger zones during construction.

## Crushing hazard



- All working tools are in good condition, provided with a valid CE label and all necessary safety regulations. These cannot be removed.
- People who use these working tools are educated for this purpose. Protections are always present on all working tools. They are in good condition and need to be set correctly.

## Tripping/falling



- Safety is key and it begins with order and tidiness. Clean everything immediately, leave nothing lying around.
- Trash needs to be sorted.
- Be cautious with electric cables (danger of tripping/falling). Never walk backwards!
- Make sure there's enough light in the working zone.



### Sharp objects

- Make sure your fingers/hands are not pinched and watch out for cuts while handling skylights or barrel vaults.
- Be careful where you put your hands during the installation.
- Wearing cut-resistant gloves is mandatory.



### Ergonomics

- Always lift loads correctly: bend your knees, move your feet instead of forcing your spine, lift as close to your body as possible.
- Parts of more than 25 kg must be lifted with at least 2 persons.



### Connection and charging

- Not suitable for charging appliances.



### Personal protective equipment



- Work clothes, safety shoes and helmet are mandatory for everyone.



- Lifeline and harness are mandatory if the edge is not secured enough or if there are no safety nets below the roof opening. They are also necessary when using an aerial working platform.



- Use gloves when handling skylight or barrel vault parts.



- Safety glasses and hearing protection are mandatory when using saws / grinders.

### Always perform a Last Minute Risk Analysis!

**If in doubt: STOP! Do not take unnecessary risks. Ask your supervisor if needed.**

# Table of contents

---

SAFETY	p. 2
ADDITIONAL INSTRUCTIONS	p. 4
MOUNTING INSTRUCTIONS SKYLUX 160° WITH PLASTIC SKYLIGHT	p. 4
MOUNTING INSTRUCTIONS SKYLUX 160° WITH GLASS	p. 5
USER INSTRUCTIONS	p. 5

## Additional instructions

- a. Be careful when positioning and installing the assembled roof access skylight. The heavy weight of this product can cause injuries.
- b. The installer must take all necessary precautions to make sure the system is not used/operated during installation/repair (lockout–tagout).
- c. All necessary collective and personal protective equipment must be present/must be used so that the installation/repair can be done safely.
- d. Make sure the system is safe and functions well after installation. The connection of the system is obligatory.

## Mounting instructions Skylux 160° with plastic skylight

Put the curb over the opening and fix the curb every 30 cm on the surface with appropriated fixations adapted to that surface (fixations not included in the delivery). Consult the installation instructions of the Skylux® skylight. The curb is incorporated in the roof covering. Fix the outer mounting sheet through the 3 holes to the roof construction. If the roof covering is not finished, you must install the skylight temporarily to protect the actuator from weather influences.

Remove the protections of the hinges and demount the stainless steel hinge axes.

Place the skylight in a 140°-160° angle in relation to the curb in order to insert the skylight hinges into the curb hinges. Close the skylight and fix the hinge axes (1 per hinge).

Install the actuator arm with the guide rollers facing the rail of the frame and cut off the fastener. The guide rollers will glide sideways into the rails. This must be done on the inside. If there is 24 V DC voltage, the actuator can be opened. This connection can be done from the roof. The skylight is now fixed onto the drive and is ready for the electric connection with the detection unit.

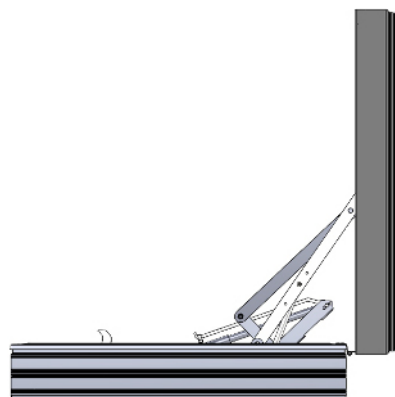
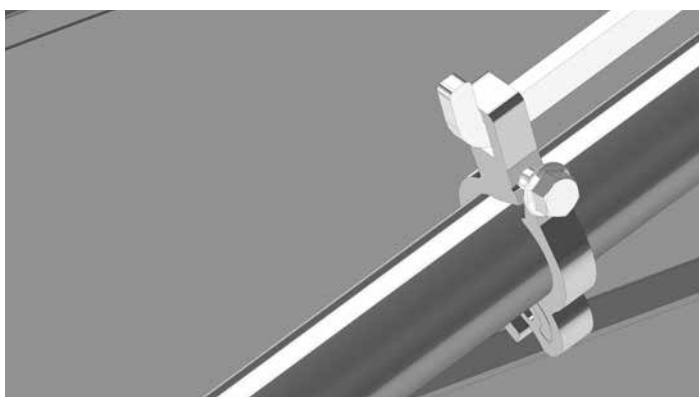
## Mounting instructions Skylux 160° with glass

1) Put the curb over the opening and fix the curb every 30 cm on the surface with appropriated fixations adapted to that surface (fixations not included in the delivery). Consult the installation instructions of the Skylux® skylight. Please be aware of weather influences if the uninstalled Skylux 160° is left outside.



2) Make sure everything (curb and flap) is fixed properly before opening the system. Otherwise, the curb will not be able to hold the weight of the flap (at opening angle of 75°) and the flap will overbalance.

3) In case the Skylux 160° came with an angle limiter, then it is possible to adjust the max. opening angle (see part on the left image below). Determine the desired opening angle and fasten the screw tightly. Open and close the system 10 times and check if the angle limiter stays in position.



## User instructions

- Keep in mind the heavy weight of the glass flap. Approx. 60 kg/m<sup>2</sup>. The wheels of the opening mechanism are loose in the rail (approx. 2 mm) which means that the flap can vibrate when it is at angle of 70° (centre of mass passes the hinges). Because of this free space between the wheels and the rails, it is not recommended to use the product when it is very windy.
- Make sure no one is near the moving parts when opening or closing the roof access skylight to avoid any injuries.
- To avoid heat build-up under the skylight (plastic, hybrid or glass) and therefore possible deformation or damage to the PVC parts, it is not recommended to install a closed surface (e.g. a closed hatch door) under the skylight. If there is a closed surface, please leave the roof access skylight open to avoid heat build-up.
- Check the position of the angle limiter (on the picture below) now and then to see if it is still in its correct position and fixed properly. If not, fasten it immediately. Contact the manufacturer's service support if you have any questions of or if there are any problems.