

EN

Skylux[®] iDome[™] & iWindow[™] openable with DuoControl

Mounting instructions


SKYLUX
Hello daylight!

Safety prescriptions during installation

Take the necessary and required safety precautions, such as safety nets and lifelines when installing from the outside, safety goggles, gloves, hard hat, etc.
Do not step on the glass.



Falling from height

- When using ladders to go on the roof:
 - Ladder in good condition?
 - Set up correctly at an angle of 75°?
 - Secured below and on top against moving?
 - Don't take heavy material with you on the ladder (3-point contact rule)! If possible, use a crane to lift the material.
- Do not lift material over the roof edge; use a crane to put the material on the roof.
- Roof zone: make sure the part of the roof where the skylight/barrel vault will be installed is safe enough, e.g. secure the edge (support system in the roof gutter that supports against the outer wall of the building, with suitable A B C category depending on the roof pitch) or use a scaffold so no one can fall off the roof. If the roof is not safe enough, always use a harness with lifeline (adapted to the fall height), attached to a suitable attachment point.
- Make sure the roof is stable and does not have dangerous openings or insufficient secure parts (e.g. corrugated sheets, ...). Take the necessary measures if this is not the case: strengthen, use suitable safety nets below the danger zones, ...
- Before making the roof opening for the skylight/barrel vault: make sure there are safety nets conform to the current legislation. The nets must be attached firmly and sufficiently to the building.
- When using an aerial work platform: always wear and secure your harness (mandatory)! Leaving the cage is forbidden.
- Never walk backwards on a roof, always walk forwards.
- Make sure there's enough light in the working zone.



Low-hanging obstacles and falling loads

- Forbidden to walk under or within a radius of 1 m of a hanging or lifted load.
- Demarcate the danger zone below the skylight/barrel vault, in the building as well as on the outside near the outer walls (in case material slides off the roof). If the zone is demarcated, people cannot be hit by any falling loads. It's prohibited to enter these danger zones during construction.



Crushing hazard

- All working tools are in good condition, provided with a valid CE label and all necessary safety regulations. These cannot be removed.
- People who use these working tools are educated for this purpose. Protections are always present on all working tools. They are in good condition and need to be set correctly.



Tripping/falling

- Safety is key and it begins with order and tidiness. Clean everything immediately, leave nothing lying around.
- Trash needs to be sorted.
- Be cautious with electric cables (danger of tripping/falling). Never walk backwards!
- Make sure there's enough light in the working zone.



Sharp objects

- Make sure your fingers/hands are not pinched and watch out for cuts while handling skylights or barrel vaults.
- Be careful where you put your hands during the installation.
- Wearing cut-resistant gloves is mandatory.



Ergonomics

- Always lift loads correctly: bend your knees, move your feet instead of forcing your spine, lift as close to your body as possible.
- Parts of more than 25 kg must be lifted with at least 2 persons.



Lifting equipment

- Depending on the size and weight of the glass skylight, we recommend to use appropriate lifting equipment for transport and installation. This is important for general safety and to prevent any damage to the product.



Electric installations

- The electrical installation must be carried out by experienced and qualified persons in accordance with all applicable requirements.
- Take the necessary measures to prevent accidents: Provide the necessary screening, to prevent people from falling into the roof opening or being trapped between the moving parts. In certain cases, ventilation hatches may not be opened more than 30 cm in the interests of fall protection.
- Do not allow children near the appliance.
- Ventilation must be closed if there are strong winds (≥ 6 m/s).



Personal protective equipment



- Work clothes, safety shoes and helmet are mandatory for everyone.



- Lifeline and harness are mandatory if the edge is not secured enough or if there are no safety nets below the roof opening. They are also necessary when using an aerial working platform.



- Use gloves when handling skylight or barrel vault parts.



- Safety glasses and hearing protection are mandatory when using saws / grinders.

Always perform a Last Minute Risk Analysis!

If in doubt: STOP! Do not take unnecessary risks. Ask your supervisor if needed.

Safety prescriptions for the user

Please be careful:



- Carefully read these safety prescriptions before use.
- Get familiar with the operating elements and correct use of the product. Only use the product if you understand the possible dangers.
- Save the safety prescriptions so you can consult them at any time. Also give them to any new user of the product.

Crushing hazard:



- Crushing hazard! Keep hands or other body parts away from the opening part!
- Keep people or animals at a safe distance.
- Do not let children use the product.
- Never put your hands or other body parts through the opening part without shutting down the operating voltage first.
- When equipped with rain sensor: if the rain sensor detects rains, the skylight closes automatically!

Repair:

- If the product still breaks down despite thorough manufacturing and test methods, the repair must be done by qualified installers.
- If the product is out of use during maintenance, check-up or replacement of accessories, the operating voltage must be shut down first.

General:



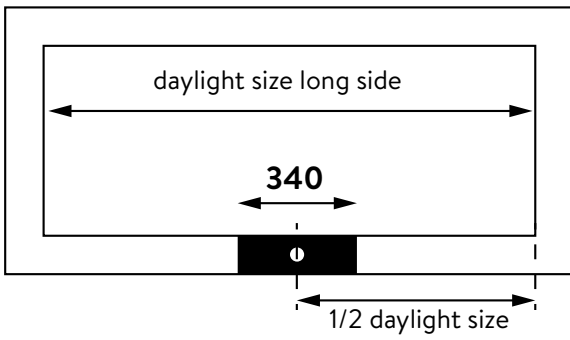
- We advise to use the remote control in the room where the skylight is situated.
- Keep the ventilation openings clear to prevent any damage to the actuator.
- The inside of the curb must not be covered (plasterboard, MDF ...) if you want to install an electric screen (sunblind, blackout blind or insect screen).
Maintaining the daylight size is important in this case. Even if there is already an electric screen installed, we advise against covering the inside of the curb.
- Forbidden to screw or drill in the indicated zone(s) (340 mm) of the curb near the built-in (spindle) actuator(s) to prevent any damage to the actuator(s). The actuator(s) is (are) always installed on the long side and directly opposite of the hinge side. See illustrations on page 5.

NFC tag

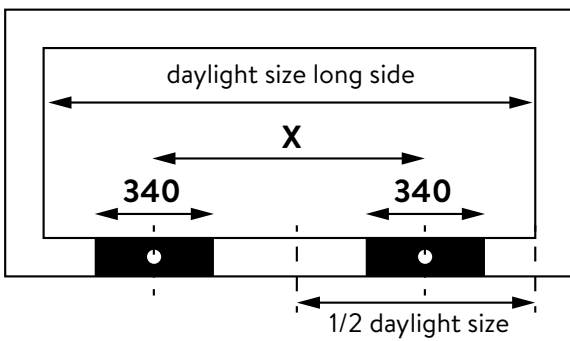
Questions or information about your openable iWindow/iDome? Scan your NFC code.

You can find the code on the top of the sealing strip of the openable spindle (see drawing page 6). Thanks to this code, unique to your order, our customer service can help you further.

1 spindle actuator:



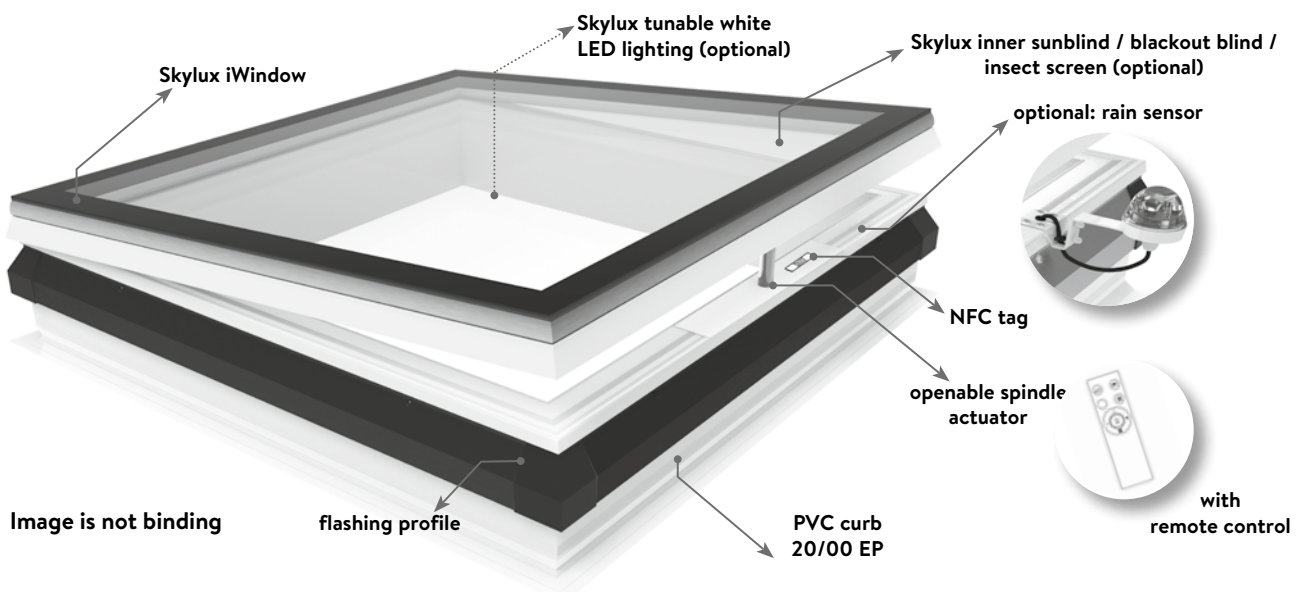
2 spindle actuators:



Daylight size long side (DLZ)	'X'
DLZ ≤ 2000	667 mm
2000 < DLZ ≤ 2600	1167
DLZ > 2600	1567 mm

Contents

SAFETY PRESCRIPTIONS DURING INSTALLATION	p. 2
SAFETY PRESCRIPTIONS FOR THE USER	p. 4
GENERAL	p. 6
SAFETY PRECAUTIONS	p. 7
PREPARATION OF THE ROOF OPENING	p. 7
PREPARATION: CURB SLOPE	p. 9
INSTALLATION SEQUENCE OF THE OPENABLE SKYLIGHT	p. 9
INSTALLING THE CURB OF THE OPENABLE SKYLIGHT	p. 9
INSTALLATION OF THE SKYLIGHT	p. 10
FINISHING THE SKYLIGHT	p. 11
RF REMOTE CONTROL	p. 11
MAINTENANCE TIPS	p. 14
TECHNICAL DETAILS	p. 14



General

The fully finished iDome or iWindow as openable (O) model is pre-mounted on a Skylux PVC curb 20/00 EP (+ 20/00 EP-S). The PVC curb has a built-in detection unit with remote control or with a Matter compatible smart home application (Apple Homekit, Google Home, etc.). The openable model (O) has a built-in spindle actuator. When pulling up the roofing, the 20/00 EP curb can be finished with the supplied flashing profile and corner pieces.

Possible options are the built-in tunable LED lights (L) finished with a polycarbonate cover and the pre-mounted electric inner sun blinds (S) or blackout blind (V) or insect screen (I).

Slope of the dome and curb on page 5.

The Skylux complete set is not suitable for installation above very damp areas (e.g. swimming pools, showers ...) or surroundings with chemical influences (e.g. chlore fumes).

We have several types available, which can all be combined with a Skylux iDome, Skylux iWindow2 or iWindow3.

Overview different types:

	openable spindle actuator (O)	rain sensor (R)	built-in LED lights (L)	pre-mounted electric sunblind (S)	pre-mounted electric blackout blind (V)	pre-mounted electric insect screen (I)
O	x					
O-R	x	x				
O-LR	x	x	x			
O-S	x			x		
O-SR	x	x		x		
O-LS	x		x	x		
O-LSR	x	x	x	x		
O-V	v				x	
O-VR	x	x			x	
O-I	x					x
O-IR	x	x				x
O-LV	x		x		x	
O-LVR	x	x	x		x	
O-LI	x		x			x
O-LIR	x	x	x			x

Safety precautions

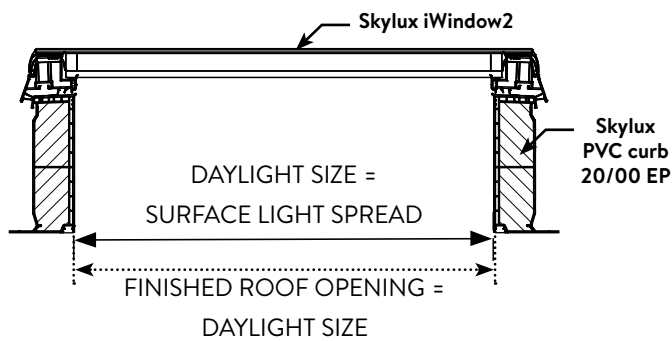
Before installing or maintaining the Skylux iWindow complete set or Skylux iDome complete set, you must take into account the necessary safety precautions. Provide a safe roof access.

- The working voltage has a capacity of 230 V AC!
- The connection may only be carried out by qualified installers of electrical installations.
- To avoid trapping body parts, the area in which the opening section is located must be avoided at all times during installation.

Roof opening preparation

- Types without LED lights (O, OS, OV, OI)

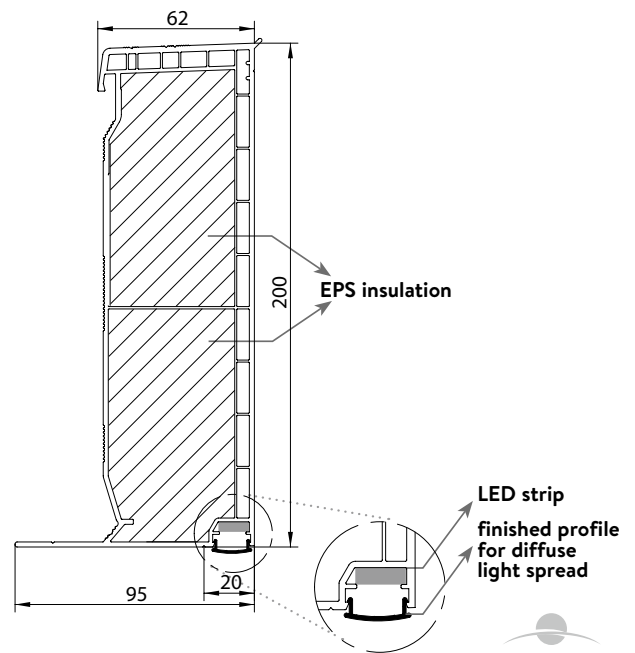
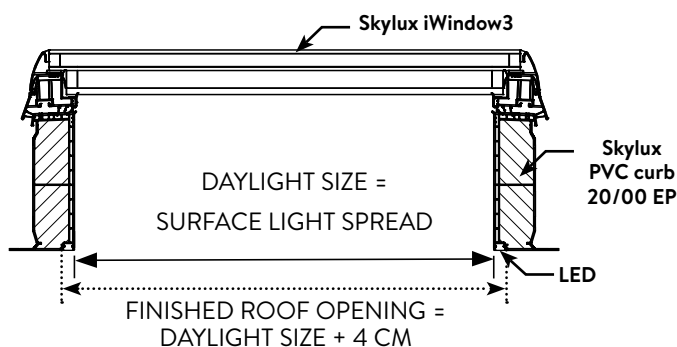
Finished roof opening = daylight size



When installing an iWindow with an electric screen (sun blind, blackout blind or insect screen), it is not allowed to finish with plasterboard (Gyproc) or MDF boards in the daylight size.

- Types with LED lights (OL, OLS, OLV, OLI)

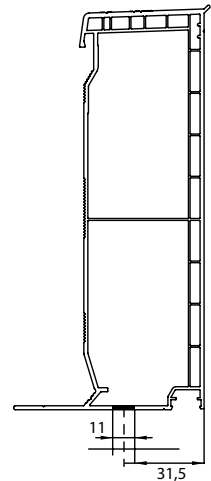
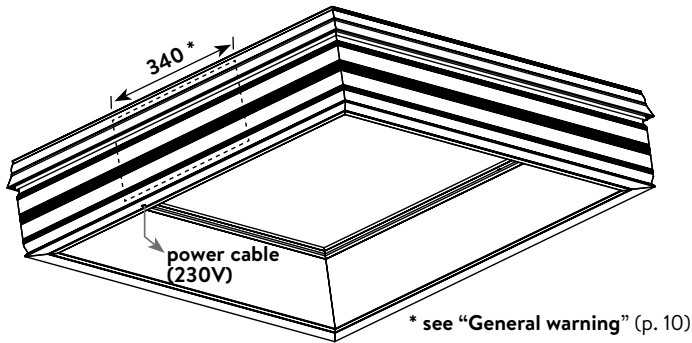
Finished roof opening = daylight size + 4 cm
 Be careful not to damage the PC cover profile during installation as polycarbonate is not free from scratches. Only remove the protection film after installation.



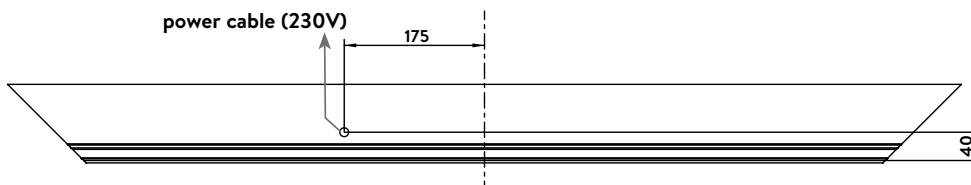
Make cable passage

The **power cable** emerges from the PVC 20/00 EP curb on the bottom of the long side of the pre-installed curb. Supply a channel at this spot in the roof construction so that 230 V can easily be connected here. That means that standard three-stranded wiring must be supplied.

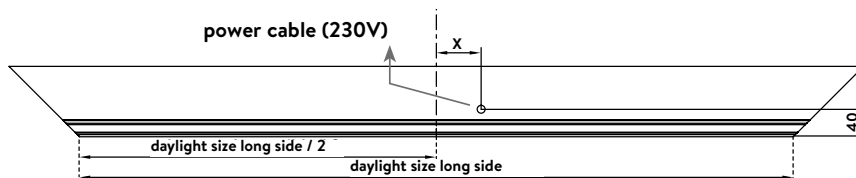
bottom view of the curb:



standard version with 1 spindle actuator:

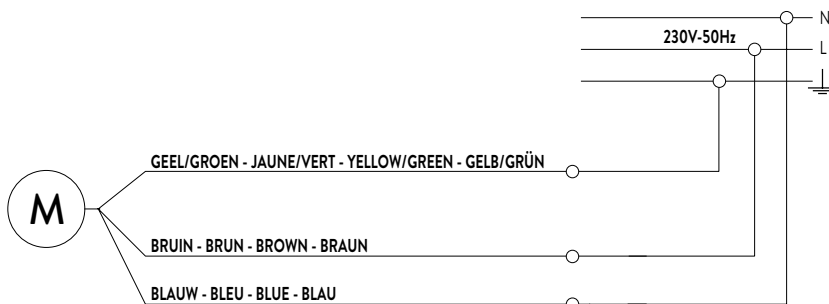


version with 2 spindle actuators:



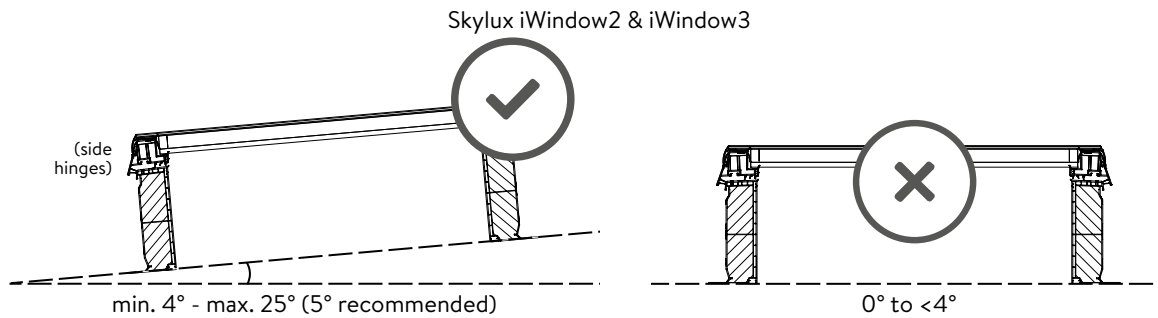
Daylight size long side (DLZ)	'X'
DLZ ≤ 2000	158,5
2000 < DLZ ≤ 2600	408,5
DLZ > 2600	608,5

Electric connection diagram for the power supply



Preparation: curb slope

According to EN 1873 skylights can be installed at a slope of up to 25°. The Skylux curb can therefore be installed on a pitched roof or with roof inclination between 0° (iDome) & min. 4° (iWindow) and 25°. For a complete set combined with a **Skylux iWindow**, a **minimum angle of 5°** is recommended to prevent soiling of the outside of the glass and water stagnation.

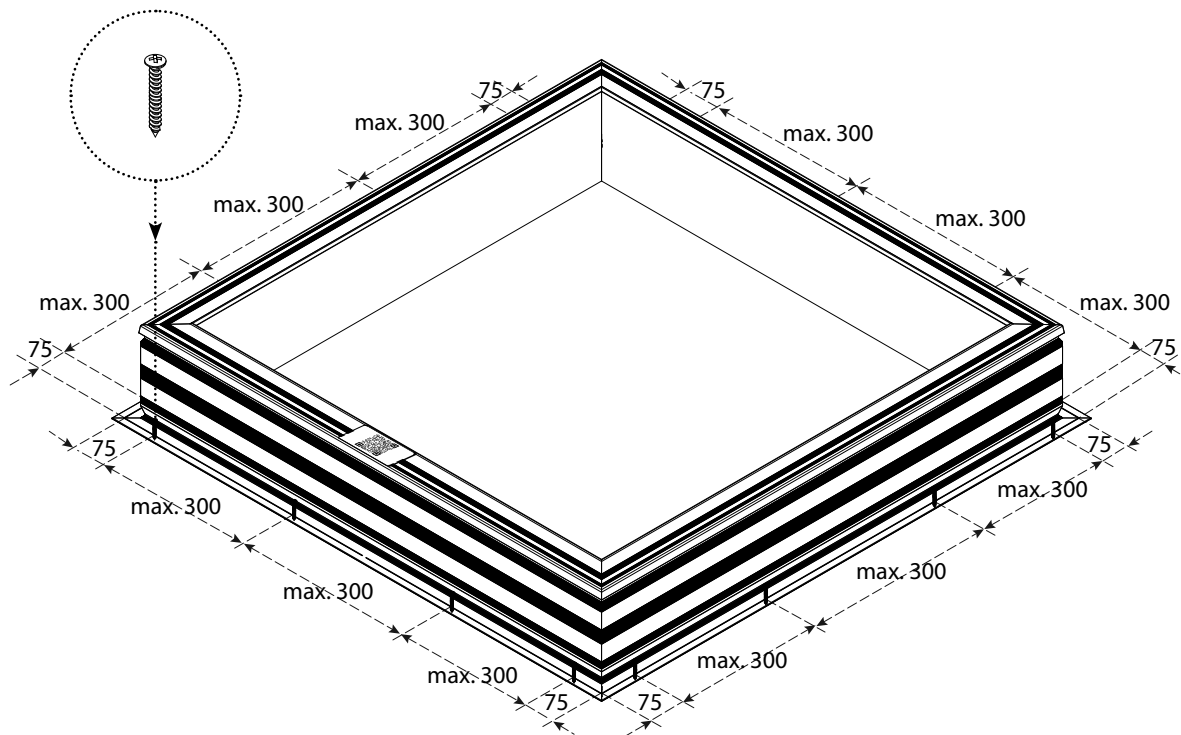


Installation sequence of the openable skylight

1. Installing the curb of the openable skylight
 - a. Pull up the roofing
 - b. Install the flashing profile (if applicable)
2. Installation of the skylight
3. Finishing the skylight

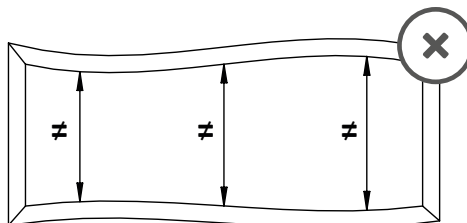
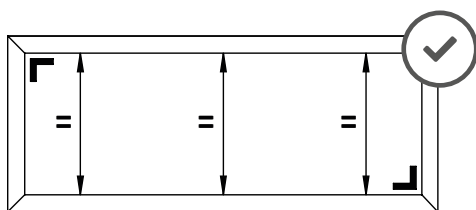
Installing the curb of the openable skylight

The lower curb is always of the type 20/00 EP. Screw the curb onto the fixed roof construction with the special screws through the line on the flange (timber screws 5.2 x 60 or steel screws 4.8 x 60). Start at 7.5 cm from the ends. The distance between the screws must not exceed 30 cm.



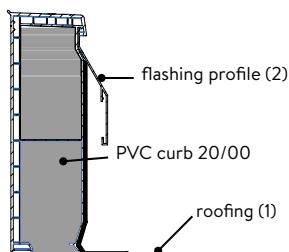
Installation of curb:

Make sure the daylight size always remains the same over the entire length (and width)! A constant daylight size, the straightness of the profiles and the perpendicularity of the angles is important to guarantee the correct functioning of the product and accessories.



Pulling up the roofing + flashing profile:

Next, pull up the roofing (1) against the top flange of the top curb. The flashing profile (2) and corresponding corner profiles can be used here (**see separate mounting instructions for the flashing profile**).



Installation of the skylight

The openable glass cover is already pre-mounted on the curb. Extra installations are not necessary.

Finishing the skylight

For the glass skylights Skylux iWindow2 or iWindow3:

remove all protection foil (*) and stickers with maintenance tips. The skylight is now ready for use.

For the hybrid skylight Skylux iDome, a plastic skylight dome of your choice must be installed afterwards.

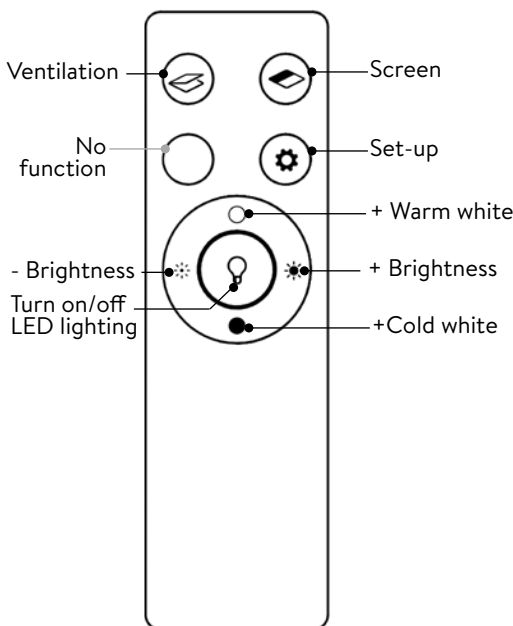
Remove all protection foil (*) and the stickers with maintenance tips and install the skylight dome following the Skylux mounting instructions. Afterwards, the finished skylight is ready for use.


(*) During construction and refurbishment works (e.g. during plastering with excess construction moisture), it is recommended to temporarily seal the ventilation grid on the inside of the curb or to leave it closed with the protective foil.


RF remote control

The provided remote control is connected in advance to your Skylux device.


Functionalities



 **Ventilation:** open/stop/close the window. The sunblind, blackout blind or insect screen always opens automatically when the window is opened for ventilation as a safety measure against wind loads and negative pressure. The screen can still be closed, but this is at the customer's own risk.

 **Screen** (sunblind (S) or blackout blind (V) or insect screen (I)): open/stop/close the screen. The sunblind (S) or the blackout blind (V) or the insect screen (I) automatically extends when opening the window (see explication ventilation function).


LED: turn LED lighting on or off


 + Brightness LED

 - Brightness LED

 + cold white

 + warm white

 **Set-up:** Use this button to change the

 device settings (see FAQ, page 12).

Rain detection:

The skylight can optionally be equipped with a rain sensor. When there is an active signal, the skylight will close automatically. The skylight remains closed after detection of precipitation. If you still want to open the skylight, you must use the remote control. However, keep in mind that the skylight will close again after 30 minutes if the rain sensor still detects precipitation.

If you would like to install an additional rain sensor afterwards, you can choose a wireless Matter compatible rain sensor or a sensor that is compatible with the chosen home automation app. Please note: the automation that closes the skylight when it rains must be programmed in your home automation app.

KEYPAD

There is a keypad on the ventilation grid in the skylight curb. This is equipped with three push buttons and 3 LED lights. The function of the keypad is to adjust certain device settings and provide feedback to the user.

It is important that this keypad is always accessible after installation and finishing.

FAQ

The remote control no longer works

Step 1 • Check reception

Move closer to the device. Check whether the green light on the keypad lights up when you press a button. This means that the signal has been received correctly.

Step 2 • The battery of the remote control is dead

If the green light on the keypad is not lit (see test above), check the battery of the remote control. Open the cover on the bottom of the remote control and replace the 3V CR2032 button cell battery.

Step 3 • There is a problem with the power supply

Check the power supply of your device.

Briefly press the set-up button on the remote control . Check the number of lights that are lit on the keypad:

- 3: power supply is OK
- 0: possible problem with the power supply

Step 4 • The remote control is not paired with your device

If the green light does not illuminate during operation and there is no problem with the power supply, then the connection may be lost.

>> Follow the instructions below 'I want to pair multiple products on one remote control!'

Step 5 • If the red light on the keypad blinks, the device is in error



LED flashes 2x: object detection: your device detected an object, which stopped the movement. Check your device and remove the object if necessary.

LED flashes 3x: loose cable detection: the electrical connection of your device may be defective.

>> Contact Skylux (service@skylux.be).

I have lost the remote control

It is possible to pair a new remote control to your device:

1. Order a new remote control (www.skylux.eu).
2. Push and hold the pairing button on the keypad (P) and release it after hearing 2 beeps 
At the same time, the green LED on the keypad will also flash twice.
3. The blue LED on the keypad will now flash.
4. Now press any button on the new remote control.
5. 3 short beeps  confirm the connection, the green LED on the keypad will also flash 3 times.

I want to pair multiple products on one remote control

1. Push and hold the pairing button on the keypad (P) of the device you wish to add and release the button after hearing 2 beeps 🎵🎵. At the same time, the green LED on the keypad will also flash twice.
2. The blue LED on the keypad will now flash.
3. Now press any button on the new remote control.
4. 3 short beeps 🎵🎵🎵 confirm a successful pairing of the device. The green LED on the keypad will also flash 3 times.

Please note: If you pair multiple devices with one remote control, the remote control may not have sufficient range to control all devices. This means that the devices may not all be in the same position. If this is the case, you can synchronise the devices again by long pressing the function symbol on the remote control within range of the device, this will place all devices in the same position.

I want to use multiple remote controls for one device

1. Use a remote control that is already paired to the device. If you don't have a remote control, please follow the instructions below 'I have lost the remote control' and repeat for each additional remote control.
2. Push and hold the set-up button ⚙️ and release it after hearing 2 beeps 🎵🎵. At the same time, the green LED on the keypad will also flash twice.
3. The blue LED on the keypad will now flash.
4. Now press any button on the new remote control.
5. 3 short beeps 🎵🎵🎵 confirm that the new remote control has successfully been paired. The green LED on the keypad will also flash 3 times.

Please note: a maximum of 10 remote controls can be paired per device.

I want to unpair my remote control(s)

1. Push and hold the reset button on the keypad (R) and release it after hearing 2 beeps first and then 3 beeps 🎵🎵🎵. At the same time, the green LED on the keypad will also flash three times.
2. The red light LED on the keypad will now blink.
3. Confirm the reset by briefly pushing the reset button "R".
4. 3 short beeps 🎵🎵🎵 confirm that the remote control(s) have successfully been unpaired. The green LED on the keypad will also flash 3 times.
5. If you want to pair again, follow the instructions below 'I have lost the remote control'.

SPECIFICATIONS

The remote control is only meant for inside use. Do not expose the remote control to humidity or rain.

RF frequency	433 MHz
Dimensions	121 x 36 x 10 mm
Batterie	3V CR2032
Colour	Black

Smart Home control

Scan the QR code to view the instructions for adding your device to a Smart Home application.



Please note: The QR code on the front of this manual and on the supplied remote control is the Matter QR code. You need this to add your device in the chosen Home Automation app. Do not lose this code!

Maintenance tips

It remains necessary to clean the glass skylights regularly.

Do not clean or touch skylights with products that are not suitable for acrylic or polycarbonate, including silicone, wood protectors, adhesives, unsuitable sealant tape, chemical vapours, etc. Tar stains must be removed using turpentine. Rinse abundantly with water. Clean the skylight with water and non-aggressive soap (no abrasives) and always rinse abundantly. Clean PVC curbs with PVC cleaner. Clean the mesh of the optional electric insect screen regularly.

Maintenance tips rain sensor:

The sensor must be cleaned regularly, depending on how dirty it is.

Clean the sensor with a damp cloth but do not use any abrasives.

Technical details

Type	Voltage	Propulsive force	Traction force	Course	Speed
○ openable with spindle actuator	230 V AC / 3 A	1000 N	300 N	100 mm	7 mm/s

- Voltage: 230 V AC \pm 10% / 50 Hz
- Consumption: 3A (max. 85 W)
- Leakage: < 2 mA / 240 V AC
- Opening/closing speed: \pm 15 s
- Closing force: 1500 N
- Durability: > 10,000 activations
- Functioning cycle: 10%, max. 2 min / 18 min
- Temperature range: -20°C ~ +70°C



Attention: the CE certification is only valid if the composition, execution and the installation regulations are respected. Skylux guarantees the CE conformity as described in the documentation and according to the plant regulations of the appliances. Every variance, cancels the CE conformity. Skylux iWindow2 and iWindow3 meet the EN 1873:2014+A1:2016 performances but are not CE, as there is no specific norm for glass skylights.

ONLY USE ORIGINAL PARTS SUPPLIED BY SKYLUX. FAILURE TO USE ORIGINAL PARTS VOIDS THE GUARANTEE.

SKYLUX® IS A REGISTERED BRAND OF SKYLUX
SPINNERIJSTRAAT 100 - B-8530 STASEGEM
T +32 (0)56 20 00 00 - F +32 (0)56 21 95 99
INFO@SKYLUX.BE
WWW.SKYLUX.EU

