

EN

Skylux[®]

Electric roof acces

Mounting instructions


SKYLUX
Hello daylight!

Safety

Take the necessary and required safety precautions, such as safety nets and lifelines when installing from the outside, safety goggles, gloves, hard hat, etc.
Do not step on the glass.



Falling from height

- When using ladders to go on the roof:
 - Ladder in good condition?
 - Set up correctly at an angle of 75°?
 - Secured below and on top against moving?
 - Don't take heavy material with you on the ladder (3-point contact rule)! If possible, use a crane to lift the material.
- Do not lift material over the roof edge; use a crane to put the material on the roof.
- Roof zone: make sure the part of the roof where the skylight/barrel vault will be installed is safe enough, e.g. secure the edge (support system in the roof gutter that supports against the outer wall of the building, with suitable A B C category depending on the roof pitch) or use a scaffold so no one can fall off the roof. If the roof is not safe enough, always use a harness with lifeline (adapted to the fall height), attached to a suitable attachment point.
- Make sure the roof is stable and does not have dangerous openings or insufficient secure parts (e.g. corrugated sheets, ...). Take the necessary measures if this is not the case: strengthen, use suitable safety nets below the danger zones, ...
- Before making the roof opening for the skylight/barrel vault: make sure there are safety nets conform to the current legislation. The nets must be attached firmly and sufficiently to the building.
- When using an aerial work platform: always wear and secure your harness (mandatory)! Leaving the cage is forbidden.
- Never walk backwards on a roof, always walk forwards.
- Make sure there's enough light in the working zone.



Low-hanging obstacles and falling loads



- Forbidden to walk under or within a radius of 1 m of a hanging or lifted load.
- Demarcate the danger zone below the skylight/barrel vault, in the building as well as on the outside near the outer walls (in case material slides off the roof). If the zone is demarcated, people cannot be hit by any falling loads. It's prohibited to enter these danger zones during construction.

Crushing hazard



- All working tools are in good condition, provided with a valid CE label and all necessary safety regulations. These cannot be removed.
- People who use these working tools are educated for this purpose. Protections are always present on all working tools. They are in good condition and need to be set correctly.

Tripping/falling



- Safety is key and it begins with order and tidiness. Clean everything immediately, leave nothing lying around.
- Trash needs to be sorted.
- Be cautious with electric cables (danger of tripping/falling). Never walk backwards!
- Make sure there's enough light in the working zone.



Sharp objects

- Make sure your fingers/hands are not pinched and watch out for cuts while handling skylights or barrel vaults.
- Be careful where you put your hands during the installation.
- Wearing cut-resistant gloves is mandatory.



Ergonomics

- Always lift loads correctly: bend your knees, move your feet instead of forcing your spine, lift as close to your body as possible.
- Parts of more than 25 kg must be lifted with at least 2 persons.



Connection and charging

- Not suitable for charging appliances.



Personal protective equipment



- Work clothes, safety shoes and helmet are mandatory for everyone.



- Lifeline and harness are mandatory if the edge is not secured enough or if there are no safety nets below the roof opening. They are also necessary when using an aerial working platform.



- Use gloves when handling skylight or barrel vault parts.



- Safety glasses and hearing protection are mandatory when using saws / grinders.

Always perform a Last Minute Risk Analysis!

If in doubt: STOP! Do not take unnecessary risks. Ask your supervisor if needed.

Table of contents

SAFETY	p. 2
ADDITIONAL INSTRUCTIONS	p. 4
ROOF ACCESS WITH PLASTIC SKYLIGHT	p. 4
ROOF ACCESS WITH GLASS/HYBRID SKYLIGHT	p. 6
USER INSTRUCTIONS	p. 7

Additional instructions

- a. Be careful when positioning and installing the assembled roof access skylight. The heavy weight of this product can cause injuries.
- b. The installer must take all necessary precautions to make sure the system is not used/operated during installation/repair (lockout–tagout).
- c. All necessary collective and personal protective equipment must be present/must be used so that the installation/repair can be done safely.
- d. Make sure the system is safe and functions well after installation.
The connection of the system is obligatory.

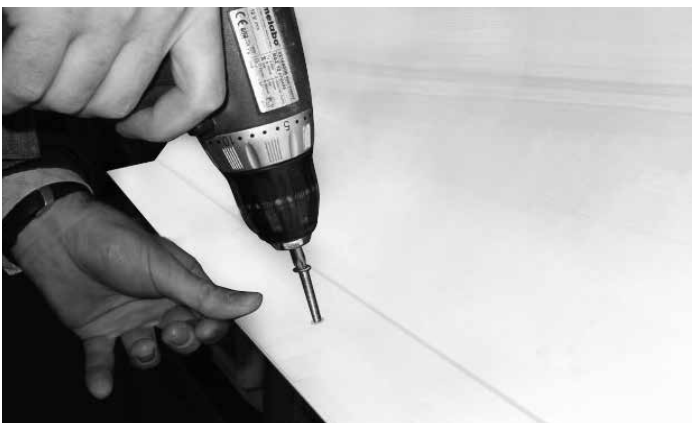
Roof access with plastic skylight

TYPE LM

Put the curb over the opening and fix the curb every 30 cm on the ground with appropriated fixations adapted to the ground (fixations not delivered). Consult the installation instructions of Skylux® domes.

The curb is incorporated in the roof covering.

If the roof covering is not finished, you must install the dome temporarily to protect the motor from weather influences.



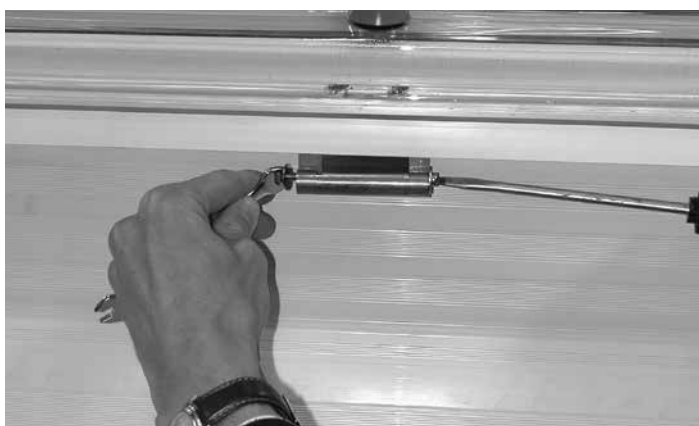
Remove the protections of the hinges and demount the hinge axes in stainless steel.



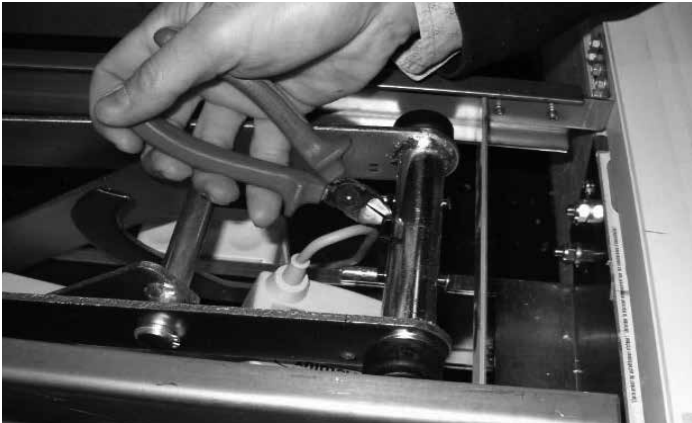
Place the dome 140°-160° with regard to the curb in order to insert the dome hinges into the curb hinges.



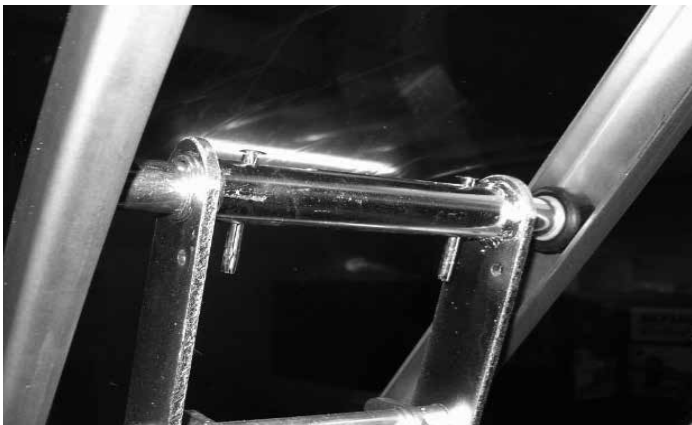
Close the dome and fix the hinge axes (1 per hinge).



Put the arm of the motor with roll conductors facing the conductor rail of the frame and cut the fastener off. The roll conductors will glide sideways into the rails. This has to be done on the inside. If the voltage of 24V DC is present, the motor can be opened. This coupling can be done from the roof.



The dome is now fixed onto the drive and is ready for the electric connection with the transformer.

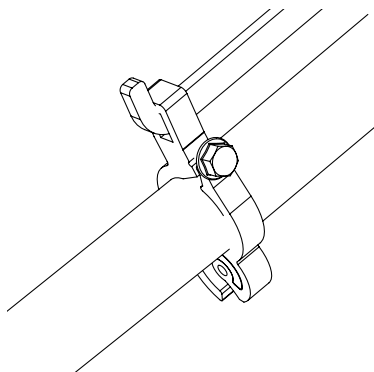


Roof access with glass/hybrid skylight

Put the curb over the opening and fix the curb every 30 cm on the surface with appropriated fixations adapted to that surface (fixations not included in the delivery). Consult the installation instructions of the Skylux® skylight. The curb is incorporated in the roof covering. If the roof covering is not finished, you must install the skylight temporarily to protect the actuator from the weather.



After installing the roof access skylight on the roof, check if the angle limiter is fixed properly. The angle limiter has to be adjusted to a max. opening angle of 90°. Open and close the system 10 times and check if angle limiter stays in position. Take into account that at an angle of 75°, the centre of mass of the flap passes the hinges and can overbalance if not properly fixed.



User instructions

- Keep in mind the heavy weight of the glass flap. Approx. 60 kg/m². The wheels of the opening mechanism are loose in the rail (approx. 2 mm) which means that the flap can vibrate when it is at angle of 70° (centre of mass passes the hinges). Because of this free space between the wheels and the rails, it is not recommended to use the product when it is very windy.
- Make sure no one is near the moving parts when opening or closing the roof access skylight to avoid any injuries.
- To avoid heat build-up under the skylight (plastic, hybrid or glass) which can cause deformation or damage to the PVC parts, it is not allowed to install a closed surface (e.g. a closed hatch door) under the skylight. If there is a closed surface, please leave the roof access skylight open to avoid heat build-up.
- Check the position of the angle limiter (on the picture below) now and then to see if it is still in its correct position and fixed properly. If not, fasten it immediately. Contact the manufacturer's service support if you have any questions or if there are any problems.
- Keep in mind that the blowing wind can close the flap when it is very windy weather. Keep the skylight closed when wind is stronger than 40 km/h.
- Install a fence or proper protection around the roof opening so nobody can fall through.