



Skylux

Bring natural daylight into your home
with a flat roof window or skylight





Table of contents

INTRODUCTION

Daylight is in our DNA	p. 4
The wonder of daylight	p. 5

PRODUCTS

1. SKYLIGHTS	
1.1 Flat roof windows	
- Skylux iWindow	p. 10
- Skylux iDome	p. 12
1.2 Plastic skylights	
- Acrylic skylights	p. 14
- Polycarbonate skylights	p. 15
- Multi-walled skylights	p. 16
- Skylux EP	p. 18
- Heatstop	p. 18
2. CURBS	
- PVC curbs	p. 20
- Polyester curbs	p. 21
- Metal curbs	p. 21
- Daylight cylinders	p. 21
3. VENTILATION AND ACCESSORIES	
- Chain motor 230 V	p. 23
- Insect screen	p. 23
- Inner sunblind	p. 23
4. OPENING SYSTEMS	p. 24
5. TECHNICAL INFORMATION	p. 27

CUSTOMER SERVICE

10-year guarantee	p. 30
Maintenance tips	p. 30
Contact	p. 32

Daylight is in our DNA



Everything we do at Skylux revolves around daylight. Our mission is, and has always been, to bring as much of this wonderful free resource to as many people as possible.

Our founder, Albert Glorieux, was passionate about daylight. His motto was 'The more sun, the more joy', and he set up his glass and mirror business determined to bring as much light as possible into people's homes and workplaces. After many experiments, trials, improvements and perseverance, the time had finally come. In 1971, we produced our first skylight in polyester. A milestone.

His son Rik took over the running of the business on Albert's retirement. The company continued to expand and grow, but always with the same passion for daylight driving its development.

Today, nearly 50 years after Albert started the business, our skylights are known across Europe for their quality, style and durability. Rik's son, Jean, is the next generation of Glorieux, carrying on the vision of his father and grandfather and bringing his own energy and ideas. We continue to develop exciting new products, such as the iWindow glass flat roof window with inner sun blinds, LED lights and in-built opening mechanisms.

Our dedication to delivering daylight continues. It's in our DNA, and it always will be.



The wonder of daylight

There are very few things that are free and offer as many benefits as daylight.

Daylight enhances our sense of wellbeing

Artificial light can upset our biorhythms and lead to mood swings. By contrast, daylight is great for our health. Having access to enough daylight is essential to getting through the day feeling well-balanced and without fatigue.

Daylight stimulates and relaxes

Daylight comes in various colours and intensities. For example, in the morning, the rising sun stimulates the production of cortisol, a hormone that makes us more active and improves our concentration. Towards the end of the day, our bodies start producing melatonin in response to the gentle evening light, making us feel restful as night approaches. We have evolved to live in harmony with the changing aspects of daylight.

Daylight is entirely free

Daylight is free - it doesn't come from a power outlet. The more daylight you let into your home or workplace, the less artificial light you need. That not only reduces your electricity bill, it's kind to the environment too.

Daylight through skylights

All the benefits of daylight are magnified when it comes through a skylight. Light from above is three times stronger than light that enters through windows. That makes it great from a safety angle too - the fewer dark corners, the less likelihood of accidents.

PRODUCTS

A modern kitchen interior featuring dark wood cabinetry, a white countertop, and a large skylight. The word 'PRODUCTS' is overlaid in white text. The kitchen includes a bar area with a white countertop and dark wood base, a sink, and open shelving with various kitchen items. The lighting is soft and even, highlighting the textures of the wood and the clean lines of the design.



The largest range of skylights

It's not every day you buy a new skylight. That's why it's important you make the right choice. Skylux is the right place for you: we have the largest range of skylights, with no less than 180 different standard sizes and more than 10,000 possible combinations.

First, the material must be selected:
a glass flat roof window, a plastic skylight or a combination of both glass and plastic?

Flat roof windows

Our flat roof windows with double or triple layered glass are the perfect combination of maximum light transmission, maximum thermic and sound insulation and a sleek design. They do not only look great, they also score high in every aspect.

Discover our flat roof windows on page 10



Hybrid skylight (iDome)

Our hybrid skylight combines the unique features of both a glass flat roof window and a plastic skylight. This skylight is composed of a compact and insulating PVC frame and super insulating safety glass HR++. Hybrid skylights are sound- and burglar-proof, impact-resistant and they are completely airtight and watertight. The plastic skylight provides a useful self-cleaning effect.

Discover our hybrid skylights on page 12

Plastic skylights

Our plastic skylights are available in different materials and versions, so there are numerous possible combinations. Skylux can absolutely assure you: we have the skylight you are looking for.

- Choose the material: acrylic or polycarbonate
- Choose the number of dome walls:
 - single-, double-, 3-, 4- or 5-walled
 - 6-walled (super insulating EP dome)
- Choose the shape: square, round or rectangular in spherical or pyramid shape
- Choose the style: clear, opal or Heatstop

Discover our plastic skylights on page 14



Skylux iWindow2

Super insulating flat roof window with double layered glass

A flat roof window with a sleek, contemporary design. The Skylux iWindow2 excels in insulation (Ug-value of $1.0 \text{ W/m}^2\text{K}$) thanks to the compact, insulating PVC frame and super insulating safety glass HR++. You save up to 63 % of energy in comparison to a classic double-walled plastic skylight. Furthermore, it ensures a maximum light transmission.

Skylux iWindow3

Super insulating flat roof window with triple layered glass

The new Skylux iWindow3 offers you the best insulation possible together with a modern, sleek look. This flat roof window is super insulating (Ug-value of $0.5 \text{ W/m}^2\text{K}$) thanks to the compact and insulating PVC frame and triple layered super insulating safety glass HR+++. You save up to 81 % of energy in comparison to a classic double-walled plastic skylight and it ensures a maximum light transmission.



Product information

SKYLUX iWINDOW2

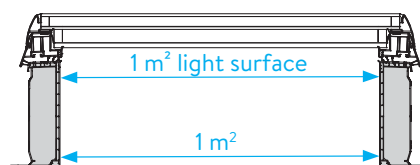
- sleek look
- double layered safety glass: HR++
- high insulation :
value $U_g = 1.0 \text{ W/m}^2\text{K}$
- maximum light transmission surface = daylight opening
- aesthetic 28 mm frame
- good soundproofing 39 dB
- suitable for flat roofs with a roof pitch between 5° and 25° (to prevent dirt and water stagnation)
- available as a fixed or openable model

SKYLUX iWINDOW3

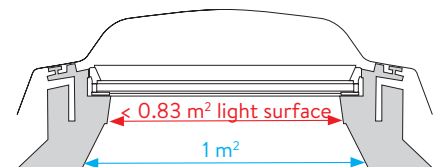
- top version with ultra-sleek look
- triple layered safety glass: HR+++
- excellent insulation value:
 $U_g = 0.5 \text{ W/m}^2\text{K}$
- maximum light transmission surface = daylight size
- aesthetic 55 mm frame
- good soundproofing 41 dB
- suitable for flat roofs with a roof pitch between 5° and 25° (to prevent dirt and water stagnation)
- available as a fixed or openable model

Up to 40 % more daylight than other brands for the same roof opening

By providing your roof with a Skylux flat roof window in combination with a vertical PVC curb 20/00, you'll bring the most amount of daylight possible into your home. The Skylux vertical curb 20/00 with a flat roof window of $100 \times 100 \text{ cm}$ guarantees a light transmission surface of 1 m^2 . The roof opening equals the daylight size. If you installed the same window (with a size of 1 m^2) from a competing brand, you would have a smaller light transmission surface.



Skylux flat roof window with vertical PVC curb 20/00
Daylight size = roof opening



Alternative glass skylight with splayed curb
Daylight size < roof opening

Standard sizes

Skylux iWindow2 and iWindow3

<div style="display: flex; flex-direction: column; gap: 5px;"> <div style="border: 1px solid black; width: 20px; height: 20px; margin-bottom: 5px;"></div> <div style="border: 1px solid black; width: 20px; height: 20px; margin-bottom: 5px;"></div> <div style="border: 1px solid black; width: 20px; height: 20px; margin-bottom: 5px;"></div> <div style="border: 1px solid black; width: 20px; height: 20px; margin-bottom: 5px;"></div> <div style="border: 1px solid black; width: 20px; height: 20px; margin-bottom: 5px;"></div> <div style="border: 1px solid black; width: 20px; height: 20px; margin-bottom: 5px;"></div> <div style="border: 1px solid black; width: 20px; height: 20px; margin-bottom: 5px;"></div> <div style="border: 1px solid black; width: 20px; height: 20px; margin-bottom: 5px;"></div> <div style="border: 1px solid black; width: 20px; height: 20px; margin-bottom: 5px;"></div> <div style="border: 1px solid black; width: 20px; height: 20px; margin-bottom: 5px;"></div> <div style="border: 1px solid black; width: 20px; height: 20px; margin-bottom: 5px;"></div> <div style="border: 1px solid black; width: 20px; height: 20px; margin-bottom: 5px;"></div> <div style="border: 1px solid black; width: 20px; height: 20px; margin-bottom: 5px;"></div> <div style="border: 1px solid black; width: 20px; height: 20px; margin-bottom: 5px;"></div> <div style="border: 1px solid black; width: 20px; height: 20px; margin-bottom: 5px;"></div> </div>	<div style="display: flex; flex-direction: column; gap: 5px;"> <div style="border: 1px solid black; width: 20px; height: 20px; margin-bottom: 5px;"></div> <div style="border: 1px solid black; width: 20px; height: 20px; margin-bottom: 5px;"></div> <div style="border: 1px solid black; width: 20px; height: 20px; margin-bottom: 5px;"></div> <div style="border: 1px solid black; width: 20px; height: 20px; margin-bottom: 5px;"></div> <div style="border: 1px solid black; width: 20px; height: 20px; margin-bottom: 5px;"></div> <div style="border: 1px solid black; width: 20px; height: 20px; margin-bottom: 5px;"></div> <div style="border: 1px solid black; width: 20px; height: 20px; margin-bottom: 5px;"></div> <div style="border: 1px solid black; width: 20px; height: 20px; margin-bottom: 5px;"></div> <div style="border: 1px solid black; width: 20px; height: 20px; margin-bottom: 5px;"></div> <div style="border: 1px solid black; width: 20px; height: 20px; margin-bottom: 5px;"></div> <div style="border: 1px solid black; width: 20px; height: 20px; margin-bottom: 5px;"></div> <div style="border: 1px solid black; width: 20px; height: 20px; margin-bottom: 5px;"></div> <div style="border: 1px solid black; width: 20px; height: 20px; margin-bottom: 5px;"></div> <div style="border: 1px solid black; width: 20px; height: 20px; margin-bottom: 5px;"></div> <div style="border: 1px solid black; width: 20px; height: 20px; margin-bottom: 5px;"></div> </div>
<p>60 x 60 cm</p> <p>70 x 70 cm</p> <p>80 x 80 cm</p> <p>90 x 90 cm</p> <p>100 x 100 cm</p> <p>110 x 110 cm</p> <p>120 x 120 cm</p> <p>130 x 130 cm*</p> <p>140 x 140 cm*</p> <p>150 x 150 cm*</p>	<p>40 x 70 cm</p> <p>60 x 90 cm</p> <p>70 x 100 cm</p> <p>80 x 130 cm</p> <p>80 x 180 cm</p> <p>90 x 120 cm</p> <p>100 x 130 cm</p> <p>100 x 150 cm</p> <p>100 x 200 cm*</p> <p>100 x 300 cm*</p>

new

* not available for iWindow3



Skylux iDome

Double layered glass with insulating skylight

The Skylux iDome is composed of a compact, insulating PVC frame and super insulating safety glass HR++. This flat roof window is always combined with a dome of choice and offers the perfect insulation and maximum light transmission.

Product information

- double layered safety glass: HR++ and dome
- with low and compact PVC frame
- excellent insulation value : $U_t = 0.93 \text{ W/m}^2\text{K}$ in combination with a single-walled dome
- maximum light transmission surface = daylight opening
- suitable for all types of flat roofs

Standard sizes

<input type="checkbox"/>	60 x 60 cm	<input type="checkbox"/>	40 x 70 cm
	70 x 70 cm		60 x 90 cm
	80 x 80 cm		70 x 100 cm
	90 x 90 cm		80 x 130 cm
	100 x 100 cm		90 x 120 cm
	110 x 110 cm		100 x 130 cm
	120 x 120 cm		100 x 150 cm
	130 x 130 cm		100 x 200 cm
	140 x 140 cm		
	150 x 150 cm		

Skylux iDome is available in two versions:

- Fixed model with separate elements which allows a quick and easy installation of the Skylux iDome on a PVC curb of choice.
- Opening model which offers a Skylux iDome pre-mounted on a PVC curb 20/00 EP and includes the optional built-in LED lighting and/or electric inner sunblind/blackout blind/insect screen. Both options have a remote control.



Accessories



Fixed outer sunblind

Thanks to a simple clip system, you can easily install the high-quality outer sunblind on your Skylux flat glass skylight. The sunblind prevents the glass from heating up and reduces the amount of solar heat entering your home. As a result, you can enjoy a continuous pleasant temperature indoors. Removing the sunblind is also a breeze. You can choose to take off the sunblind during the cold winter months. The Skylux® fixed outer sunblind can be combined with iWindow2 and iWindow3.

- G value: 0.11
- Excellent protection against sunlight
- Modern and solid design
- Easy to install and to remove
- Saves energy
- Reduces contact noise from rain and hail
- Highly resistant against wind

Electric screen on 230 volts or solar energy



The Skylux electric screen is available as an insect screen, a sunblind or a blackout blind for both fixed and openable flat roof windows.

In case of a fixed configuration, the screen can be installed in the daylight size of the curb. The system is controlled by a wireless module that can be clicked behind a switch. There's no need for extra cables between the switch and screen, enabling an easy installation of the screen. In case of an openable configuration, the electric screen is already pre-mounted in the daylight size of the Skylux 20/00 curb. It comes with a remote control that also allows you to open/close the skylight and control the LED lighting.

With the Solar version, the screen is powered by a solar panel and a battery pack which is hidden and built into the screen. A 230 V power supply is not necessary. The screen uses a natural energy source instead, namely solar energy.

LED lighting



Our flat roof windows offer plenty of daylight. When it's dark outside, however, artificial light is needed. Skylux can pre-install LED lighting in your openable flat roof window. Simply connect your skylight and illuminate your home, day and night.

Acrylic skylights

Acrylic glass (PMMA) is also called PLEXIGLAS®. This synthetic material is highly transparent and guarantees a bright daylight. The impact resistance of acrylic glass is 10 times higher than normal glass that is equally thick. Furthermore, acrylic glass is UV resistant, so there is no yellowing or loss of light transmission, even after many years.

- highly transparent
- resistant to UV light (no yellowing)



Side view	Top view	Dome walls	Ut-value	Energy saving ¹
		3-walled	1.70	36.57%
		4-walled	1.28	53.73%
		5-walled	0.99	61.57%
		EP10 (6-walled)	1.30	54.10%
		3-walled	1.70	36.57%
		5-walled	0.99	61.57%
		3-walled	1.70	36.57%

DID YOU KNOW THAT 3-WALLED SKYLIGHTS INSULATE UP TO 35% MORE THAN DOUBLE-WALLED?

¹ Energy saving compared to a double-walled skylight

Polycarbonate skylights

Looking for an unbreakable skylight? Then polycarbonate (PC) is the best choice. The impact-resistance of this synthetic material is 250 times higher than glass that is equally thick. That is why they call it an 'armoured skylight'. The polycarbonate that we use is UV resistant, so the skylight maintains its colour and light transmission. Our polycarbonate skylights are also burglar-proof.



- 250 times more impact-resistant than glass of the same thickness
- highly transparent
- resistant to UV light (no yellowing)



Test with Skylux polycarbonate armoured skylight: the skylight does not break but returns to its original form instead.

Side view	Top view	Dome walls	Ut-value	Energy saving ¹
		3-walled	1.70	36.57%
		4-walled	1.28	53.73%
		EP10 (6-walled)	1.30	54.10%
		3-walled	1.70	36.57%
		3-walled	1.70	36.57%

¹ Energy saving compared to a double-walled skylight

Multi-walled skylights

Did you know that more than half of the skylights sold today are still double-walled? That is an astonishing figure, certainly if you know that double-walled skylights are far less insulating compared to multi-walled skylights.

Don't think twice

Which skylight should I choose? A question that often occurs on internet forums. People ask themselves if a double-walled skylight is sufficient for their building project. Skylux does not have to think twice: because the insulation standards are becoming stricter (in other countries too), we advise the installation of at least a 3-walled skylight. And if the budget allows, the installation of a 4- or 5-walled or an EP skylight is even better!

The more dome walls, the better the U-value

Following versions are recommended, giving their U-value: 4-walled ($U_t = 1.28$), 5-walled ($U_t = 0.99$), EP10 ($U_t = 1.30$) plastic skylights. The flat roof windows iWindow2/iWindow3 and the iDome skylight have an even better result of course.



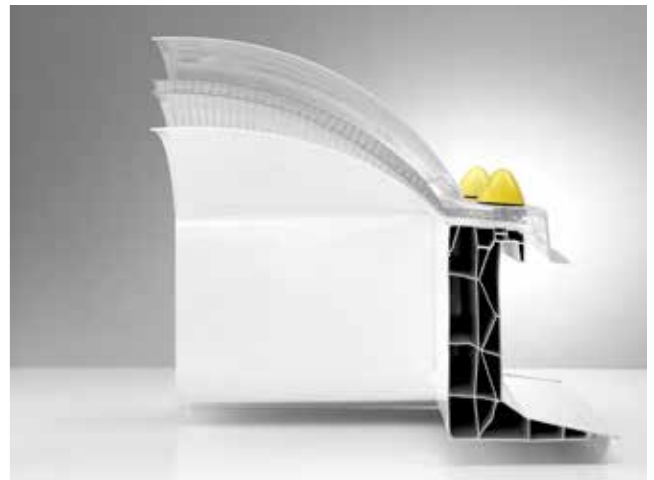
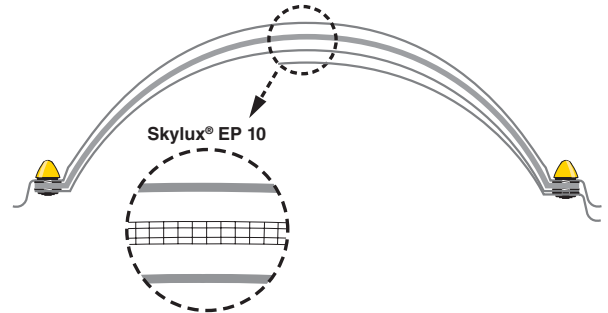
Calculate the U-value
of your skylight on
www.skylux.be





Super insulating EP skylight

EP stands for Energy Profit. With the EP skylights, Skylux offers a solution for buildings with high insulation demands. The 6-walled Skylux EP10 skylight reaches an insulation value of 1.3 W/m²K. The EP skylights offer a suitable alternative in energy-passive buildings.



Heatstop skylight

The polycarbonate Heatstop skylight is heat-reflecting thanks to the Heatstop coating, which filters out infrared rays from the sun. This reduces the heating (caused by infrared rays) under the skylight to a minimum. The polycarbonate Heatstop skylights are burglar-proof because their impact-resistance is 250 times higher than glass that is equally thick.



“THE MORE DOME
WALLS, THE BETTER THE
INSULATION VALUE.”
”



PVC curbs

A PVC curb is the most economical way of mounting your skylight on the roof. They can be used everywhere. Curbs in PVC are light, strong, super insulating, beautifully finished and easy to maintain. Plus, they are completely recyclable.

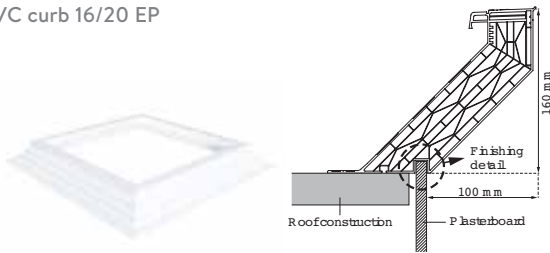
The curbs can easily be combined with all types of roof membranes because a PVC curb is heat-resistant during flame welding. Thanks to the special insulating compartment structure, the curb remains intact during the covering of the roof. This makes the installation quite simple. The curbs have a smooth inner side and do not need further finishing. They are also very suitable to mount opening systems on.



TIP

The PVC curb can be combined with any type of roof membrane.

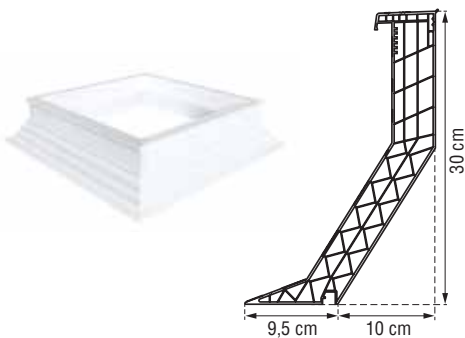
PVC curb 16/20 EP



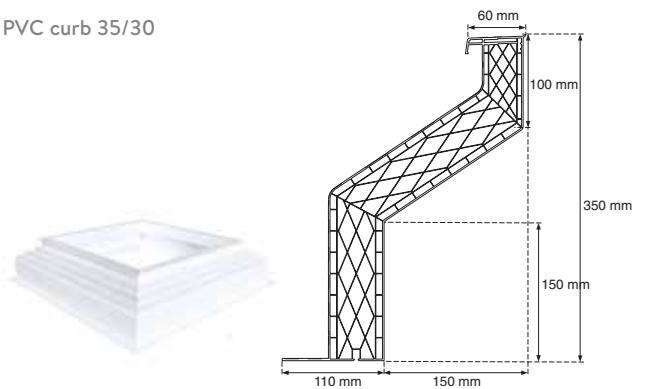
PVC curb 16/00



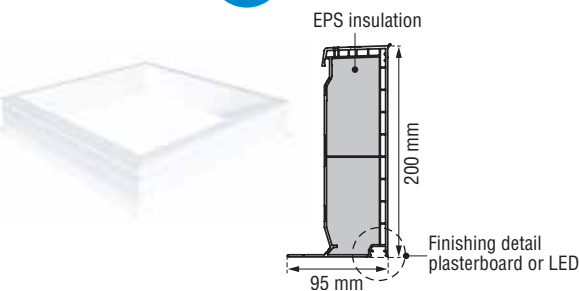
PVC curb 30/20



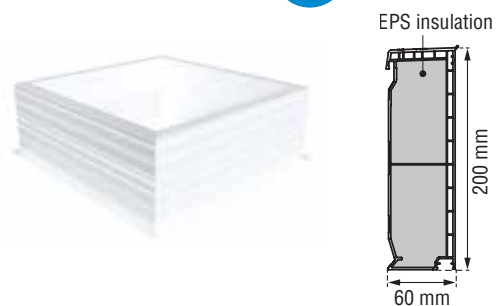
PVC curb 35/30



PVC curb 20/00 EP



PVC curb 20/00 EP-S



Polyester curbs

Polyester curbs are glass fibre reinforced which makes them very strong and solid. The combination of resin, glass fibre and insulation makes the product durable. These curbs are stable and have excellent insulation values.



Tip: we also offer a polyester curb with a built-in ventilator or ventilation grid. The ideal curb for rooms where ventilation is most welcome: meeting rooms, garages, club rooms, etc. Other special curbs can be obtained on request, for example: north facing curb and a corrugated sheet curb.



Metal curbs

Metal curbs are stable, fire-proof and very suitable for industrial buildings. The roof opening and the daylight opening are the same. The square and rectangular metal curbs are provided with insulation. Metal curbs can be combined with all types of openable frames.



Daylight cylinders

A daylight cylinder provides a neat finish between the inner ceiling and the curb. We offer round, square and rectangular daylight cylinders in PVC and polyester. A daylight cylinder ensures a better finish of the ceiling after installation.



daylight cylinder in PVC or polyester



Ventilation

To install a skylight quickly and easily, we have developed a pre-mounted insulating PVC frame that is attached to the curb with stainless steel hinges. No more drilling, measuring or adjusting. Just screw on the skylight and you will have a nice and neat result. The operating system is also pre-mounted: a manual or electric spindle for inaccessible places or for more comfort.



Accessories



Radio guided chain motor 230 V

The chain motor is compact and has an elegant design. The skylight easily opens or closes with the radio guided remote control. You can set the opening angle yourself. The chain motor is silent and requires little maintenance.



Insect screen

This insect screen is completely integrated in the skylight frame and invisible if the skylight is closed, so you can always enjoy the skylight's maximum light transmission. Installation is extremely fast thanks to the Velcro-strip. The screen is also easily detachable for cleaning.



Manual inner sunblind

This inner sunblind is a metallised plissé screen that can be pulled over the skylight opening through a mechanism of small cables. The system can be installed in or under the daylight opening. You can close or open it with a handle or operation bar.



Electric screen on 230 volts or solar energy

The Skylux electric screen is available as an insect screen, a sunblind or a blackout blind for both fixed and openable flat roof windows.

In case of a fixed configuration, the screen can be installed in the daylight size of the curb. The system is controlled by a wireless module that can be clicked behind a switch. There's no need for extra cables between the switch and screen, enabling an easy installation of the screen. In case of an openable configuration, the electric screen is already pre-mounted in the daylight size of the Skylux 20/00 curb. It comes with a remote control that also allows you to open/close the skylight and control the LED lighting.

With the Solar version, the screen is powered by a solar panel and a battery pack which is hidden and built into the screen. A 230 V power supply is not necessary. The screen uses a natural energy source instead, namely solar energy.

Opening systems

1. Openable flat roof windows

Our flat roof windows iWindow2/iWindow3 and hybrid iDome skylight are also available as openable models and can therefore offer fresh air ventilation.

They come as a complete set, including a vertical curb 20/00 EP or 40/00 EP. Thanks to the electric screen (inner sunblind, blackout blind or insect screen), you can keep out the sun, heat or insects.

2. Roof access skylights

Manual roof access skylights

- pre-mounted set of curb and frame
- with two gas springs as opening assistance
- opening angle approx. 75°
- lockable handle to lock a closed skylight (option: lockable handle with key)

Electric roof access skylights

- pre-mounted set of curb and frame
- opening angle with 90° setting
- motor (single or double)
- transformer 230 V - 24 V DC 5 A
- with remote control and holder
- lateral position of the motor(s)



manual roof access skylights



electric roof access skylights

3. Electric motor

Would you like more comfort or is the skylight situated in an inaccessible spot? Then choose an electric motor. The compact motor - completely integrated in our skylights - opens the skylight up to 30 cm. The motor is actuated by a switch (built-in or built-on) or by a remote control. Larger skylights have a double motor.



radio guided chain motor



electric spindle 230 V



electric chain motor 230 V

4. Manual spindle

The ventilation frame is provided with fixing brackets in which a spindle can simply be clicked. You can open or close the system with a winding rod of 1.5 m, 3 m or 4 m long. The hinges of frames with sides longer than 130 cm are situated on the longest side. In this case, opening and closing is done with two connected spindles (double spindle).



manual chain spindle



spindle with eye



spindle with tube

5. PVC and polyester frame

The excellent thermic properties are the key feature of PVC and polyester frames. They sharply reduce the possibility of condensation.

Our PVC frames are available in three models:

- standard PVC frame (ST)
- super insulating EP frame (EP)
- super insulating EP 25 frame with a 6-walled 25 mm polycarbonate sheet (EP 25)

There is also a round polyester frame for round skylights.



PVC frame (ST)



Polyester frame



EP frame



EP 25 frame

Tip: skylights are more and more used for fresh air ventilation. This is possible in two ways:

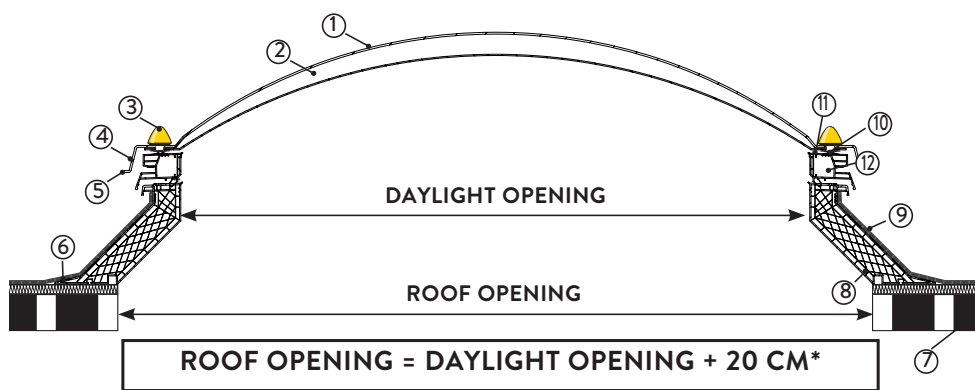
- ventilation through the curb (ventilation curb or curb with ventilation grid)
- ventilation through an opening PVC frame that is installed between the skylight and the curb

More information on our opening systems can be found in the technical file on www.skylux.be

CE concept for Skylux skylights

The Skylux bolt is an ingenious and patented screw system with important features:

- Inner and outer wall of the skylight are firmly attached to each other. They cannot come loose.
- The bolt is made of polyacetal and is 100% frost-proof.
- During installation, a universal screw is placed in the bolt. The screw is never in direct contact with the dome wall. This ensures an easy fixation.
- The dome caps keep water out.



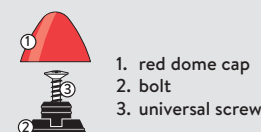
* In case of a curb 16/20

1. dome | 2. cavity | 3. bolt | 4. drop flange | 5. stabilising edge | 6. screw flange | 7. roof construction | 8. curb | 9. roof covering | 10. mounting flange | 11. sealing strip | 12. openable PVC frame

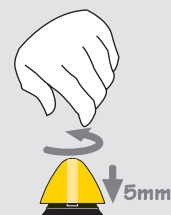
IMG. 1
for acrylic skylights



IMG. 2
for polycarbonate skylights



IMG. 3
rainproof



IMG. 4
click



The Skylux dome cap gives the skylight a distinctive look. This refined cap offers substantial features towards the installation and increases the safety for each type of skylight.

The bolt is made of an impact-resistant synthetic material (polyacetal). It is provided with grip points and a pressure ring to ensure a waterproof and lasting sealing. Both the standard version (image 1) and the polycarbonate skylight (image 2) have a dome cap that can be installed in a waterproof position (image 3) or in a fixed position.

When assembling the skylight, the dome walls are connected with bolts and nuts. The synthetic material (polyacetal), of which the bolts and nuts are made, is frost-proof and impact-resistant. The dome caps are packed in cardboard corner protectors during storage and transport. On the construction site, you simply screw the dome on the frame or curb.

To lock the dome cap into a waterproof position (image 3), it is sufficient to make a quarter of a turn and to slightly push downward on the cap until it is secured. If you would like to secure the dome cap completely and permanently, then push the cap firmly until you hear a click.

Technical information

U-value, light transmission, g-value and acoustic damping

Plastic skylights and iDome skylights			U _t value EN 1873:2014 (W/m ² K)			LT value EN ISO 13468 EN 16153 EN 410 (%)			g value EN 410 (%)			Rw value EN ISO 140-3 (dB)		
			skylight	+ EP25	iDome*	skylight	+ EP25	iDome*	skylight	+ EP25	iDome*	skylight	+ EP25	iDome*
Acrylic PMMA	SW	Clear (H)	5.17	1.19	0.93	90	37	70	87	57	50	-	24	40
		Opal (O)	5.17	1.19	0.93	83	34	64	76	50	43	-	24	40
	DW	Clear (H/H)	2.90	0.98	0.79	81	33	63	75	50	43	20	26	40
		Opal (O/O)	2.90	0.98	0.79	69	28	53	58	38	33	20	26	40
	3W	Clear (H/H/H)	1.70	0.83	0.69	73	30	57	65	43	37	22	28	40
		Opal (O/H/O)	1.70	0.83	0.69	62	25	48	51	34	29	22	28	40
	4W	Clear (H/H/H/H)	1.28	0.72	0.61	64	26	50	54	36	31	23	29	40
		Opal (H/H/O/H)	1.28	0.72	0.61	59	24	46	48	32	27	23	29	40
	5W	Clear (H/H/H/H/H)	0.99	0.63	0.55	58	24	45	47	31	27	24	30	40
		Opal (O/H/H/H/H)	0.99	0.63	0.55	53	22	41	41	27	23	24	30	40
Polycarbonate PC	SW	Clear (A)	5.17	1.19	0.93	88	36	68	83	55	47	-	24	40
		Opal (D)	5.17	1.19	0.93	58	24	45	60	40	34	-	24	40
	DW	Clear (A/H)	2.90	0.98	0.79	79	32	61	72	48	41	20	26	40
		Clear (A/A)	2.90	0.98	0.79	77	32	60	69	46	39	20	26	40
	Opal (A/O)	Opal (A/O)	2.90	0.98	0.79	73	30	57	63	42	36	20	26	40
		Opal (A/D)	2.90	0.98	0.79	51	21	39	50	33	29	20	26	40
	3W	Clear (A/H/H)	1.70	0.83	0.69	71	29	55	63	42	36	22	28	40
		Opal (A/O/O)	1.70	0.83	0.69	61	25	47	48	32	27	22	28	40
	4W	Clear (A/H/H/H)	1.28	0.72	0.61	64	26	50	52	34	30	23	29	40
		Opal (A/H/O/H)	1.28	0.72	0.61	59	24	46	46	30	26	23	29	40
Polycarbonate Heatstop PC	SW	Heatstop Opal (T)	5.17	1.19	0.93	49	20	38	59	39	34	-	24	40
		Clear (T/H)	2.90	0.98	0.79	44	18	34	51	34	29	20	26	40
	Opal (T/O)	Opal (T/O)	2.90	0.98	0.79	41	17	32	45	30	26	20	26	40
		Clear (T/H/H)	1.70	0.83	0.69	40	16	31	44	29	25	22	28	40
	Opal (T/H/O)	Opal (T/H/O)	1.70	0.83	0.69	37	15	29	39	26	22	22	28	40
		Clear (T/H/H/H)	1.28	0.72	0.61	35	14	27	37	24	21	23	29	40
Opal (T/H/O/H)	Opal (T/H/O/H)	1.28	0.72	0.61	32	13	25	32	21	18	23	29	40	
	EP 10 skylight PMMA	6W	Opal (H/E/O)	1.30	0.71	0.60	51	21	39	43	28	25	21	27
EP 10 skylight PC	6W	Opal (A/E/O)	1.30	0.71	0.60	50	21	39	41	27	23	21	27	40

* value for iDome with double glazing

+ EP25: skylight in combination with PVC curb and multi-walled sheet (page <?>)

H clear acrylic

D opal polycarbonate

O opal acrylic

T opal heatstop polycarbonate

A clear polycarbonate

E 4-walled clear SPC 10 mm sheet

Glass skylights			U _t value EN 673 (W/m ² K)	LT value EN 410 (%)	g value EN 410 (%)	Rw value EN 717-1 (dB)
Skylux iWindow2	DW	Clear HR ++	1.00	67	42	39
Skylux iWindow3	3W	Clear HR +++	0.50	68	49	41

U_t value U transparent or insulation value of the composed skylight (W/m²K)

U_g value U glass or insulation value of the glazing (W/m²K)

LT value light transmission (%)

g value total passage of the sun-energy (%)

Rw value acoustic value (dB)

For each combination (curb-window-skylight), the total U value can be calculated on www.skylux.be.
The U values in accordance with the former standard EN 1873:2003 are available on request.



CUSTOMER SERVICE



Skylux, 10-year guarantee

Quality service goes with quality products. Therefore, we offer a 10-year guarantee on all Skylux products.



Maintenance tips for your Skylux skylight



Acrylic glass has a self-cleaning effect and requires little maintenance. Please do not use any cleaning products or solvents because they can damage the skylight. We advise using the Skylux-cleaner for the maintenance of your plastic skylight and the PVC-cleaner for the PVC frames and curbs.

Make your skylight last even longer thanks to these tips:

- The skylight attachments and the sealing tape must be checked once a year.
- Clean the skylight only with water and non-aggressive soap and rinse thoroughly with water after cleaning. Please do not clean the skylights with products that are not suited for acrylic or polycarbonate. For example: no abrasives or aggressive products like silicone, wood protection products, adhesives, unsuitable sealing tape, chemical fumes, etc. Do not in any way use these products for your skylight!
- Remove tar stains only with turpentine and rinse thoroughly with water.
- In case of scratches: please contact the supplier and ask for a suitable polishing product.
- Do not use any insecticides on the skylight.
- Metal and polyester curbs must be provided with an extra finishing.

You can find more information on www.skylux.be if you click on “Tips and Tricks”.

Hello daylight!





Contact

Do not hesitate to contact us if you have any questions.

Call us on [+32 \(0\)56 20 00 00](tel:+32205620000) or send an e-mail to info@skylux.be

Further information can be found on www.skylux.be

SKYLUX NV
SPINNERIJSTRAAT 100 - B-8530 STASEGEM
T +32 (0)56 20 00 00 - F +32 (0)56 21 95 99
INFO@SKYLUX.BE
WWW.SKYLUX.BE

