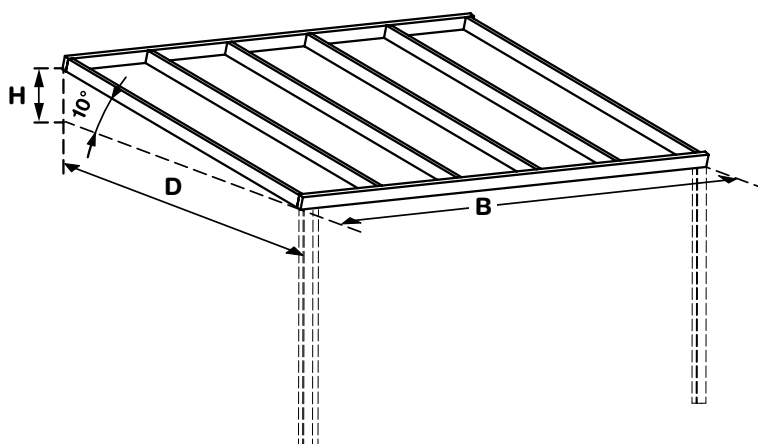


Pergolux

Customer

Reference - project

Time of delivery



Inquiry

Order

Please mark your choice with a cross or specify where necessary.

- Alu-series** system with aluminium profiles and standard grey coex rubbers
- Color-series** system with powdercoated aluminium profiles with white or grey coex rubbers
- Therm-series** system with thermal break and white coextruded PVC clips
- Color-Therm-series** system with thermal break and powdercoated aluminium clips
- Color-Therm Glass-series** system with thermal break for sheets or glass with screw-on aluminium clips, glass thickness between 8 mm and 34 mm

Dimensions (in mm)	Width 'B'							
	Depth 'D' (inside gutter* to wall side)							
	Height difference 'H' or inclination (10° as standard)							
or	Length sheets & profiles							
Finish	Alu (mill finished)		→	RAL 9010 white		RAL 8019 brown		
	Color		→	RAL 9010 white		RAL 8019 brown		
	Therm		→	RAL 9010 white		RAL 8019 brown		RAL 7016 ST anthracite
	Color-Therm		→	RAL 9010 white		RAL 8019 brown		RAL 7016 ST anthracite
	Color-Therm Glass		or	Non-standard RAL**				
					RAL			
				Type		Gloss		
						Matte (30 % gloss)		
						Textured		
Sheet type	Multi-walled acrylic		Type					
	Multi-walled polycarbonate		Type					
			Colour & thickness	Clear		16 mm		
	Cut the sheets to size and seal temporarily with tape			Opal		32 mm		
	Cut the sheets to size and seal with tape			Heat reflecting				
	or	Pergotop sandwich panels		Colour & thickness	White/white	16 mm		
		Pergosoft sandwich panels			Slate/white	32 mm		
		Pergotop-Soft sandwich panels			Tile/white	Acoustic		
	or	Glass thickness (in mm)						
		Number of glass sheets (max. 750 mm glass width)						
Gutter	No gutter							
	Gutter G120A							
	Gutter G (only for Color-Therm Glass-series)							
	Raised profile for gutter (GR)							
Options	Drainpipe set							
Remarks								

* Gutter beam included

** Non-standard RAL colours are only possible in case of Color-Therm Glass. Delivery time is 6 weeks.