

Wiring diagram

Cintramax ventilation (230V)

Warning

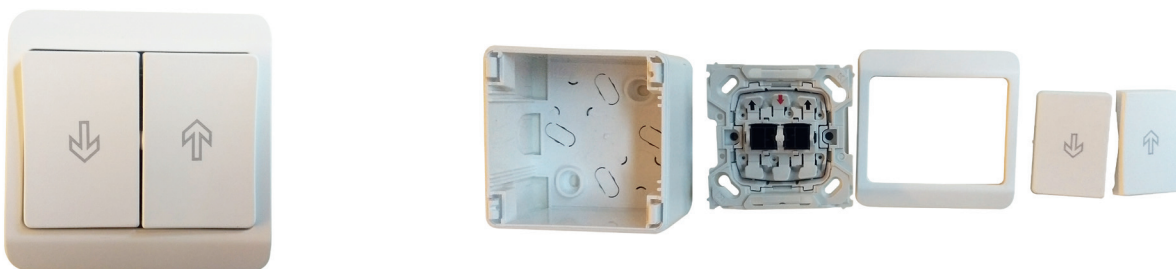
- The electrical installation must be carried out by experienced and qualified persons in accordance with all applicable requirements.
- Take the necessary measures to prevent accidents: Provide the necessary screening, to prevent people from falling into the roof opening or being trapped between the moving parts.
- In certain cases, ventilation hatches may not be opened more than 30 cm in the interests of fall protection.
- Do not allow children near the appliance.
- Ventilation must be closed if there are strong winds ($\geq 6\text{ m/s}$).

Components

- Limit switch **FLEX1 ACDC + LIP 6 (Art. 47141)**



- Ventilation switch **LK OPUS 66 (Art. 25773)**

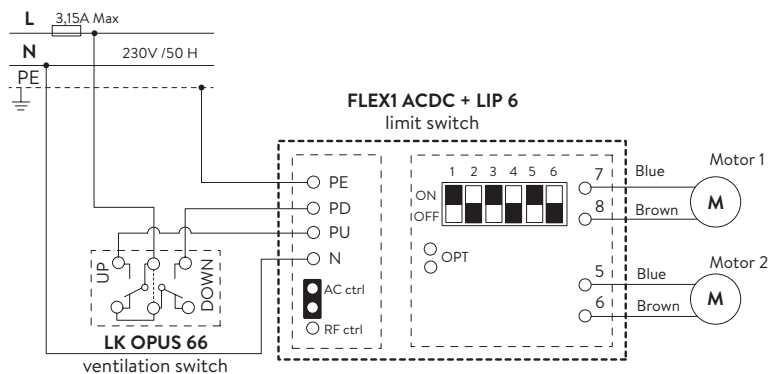


- (Wind and rain sensor) **(Art. 25774)**

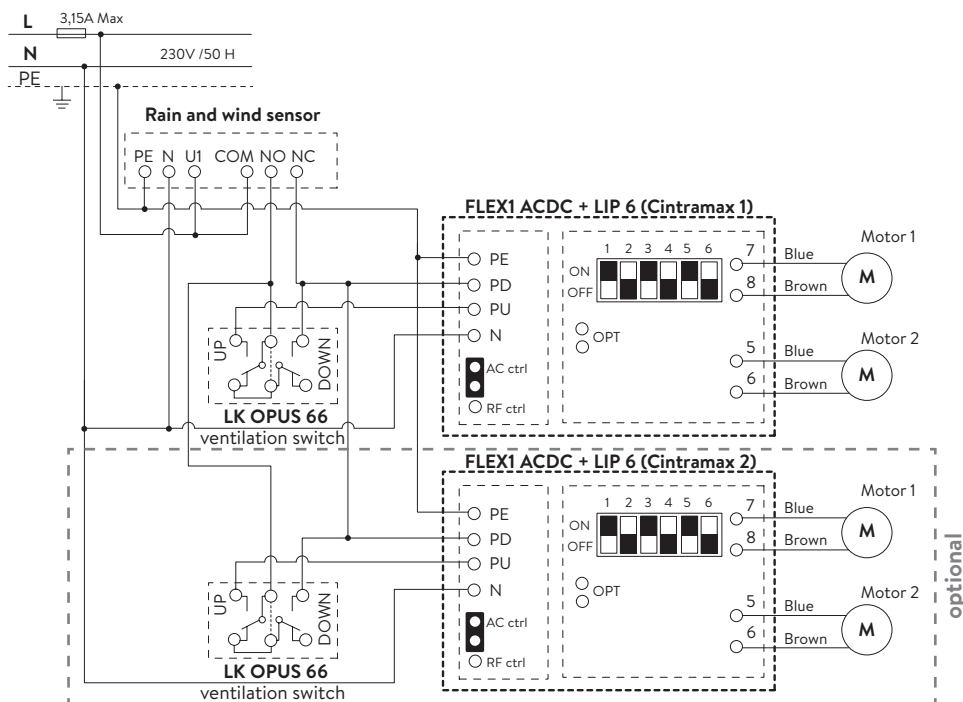


Art.N° 48493

Wiring diagram Cintramax ventilation



Wiring diagram Cintramax ventilation with rain and wind sensor



Maximum 2 Cintramax ventilations can be connected with 1 rain sensor.
 Maximum 16 Cintramax ventilations can be connected with 1 LK OPUS 66.
 An auxiliary relay must be used for additional connections.

Steps

1. **Connect** the parts in accordance with one of the above diagrams. Remove the test cable.
2. **Check** the settings (also refer to the diagram)
 - a. **DIP switches** 1-6; ON, OFF, ON, OFF, ON, OFF
 - b. **JUMPER** position AC ctrl
 - c. **OPT** = OFF, no jumper
3. **Ready** for use

Recommended settings rain and wind sensor art. 25774

The ventilation cannot be opened with the comfort switch when the rain and wind sensor is active.
 Weather sensor factory settings = test = Pos 0 = Delay 10s + highest sensitivity.
 Recommended weather sensor settings: Pos 4 = 4m/s (Delay = 10 min).
 For further details: see the instructions for the wind and rain sensor AWR-24/250.

SKYLUX® IS A REGISTERED BRAND OF SKYLUX
 SPINNERIJSTRAAT 100 - B-8530 STASEGEM
 T +32 (0)56 20 00 00 - F +32 (0)56 21 95 99
 INFO@SKYLUX.BE
 WWW.SKYLUX.BE

