

Wiring diagram

Monoflap ventilation (230 V)

Warning

- The electric installation must be carried out by experienced and qualified people, in accordance with all applicable regulations.
- Take the necessary measures to prevent accidents: provide the necessary protection so no one can fall through the roof opening or can get stuck between the moving parts.
- In certain cases, the ventilation hatches cannot be opened more than more than 30 cm because of fall-through safety.
- Do not allow children near the system.
- Always close the Monoflap in case of rain or strong wind (≥ 6 m/s).

Parts

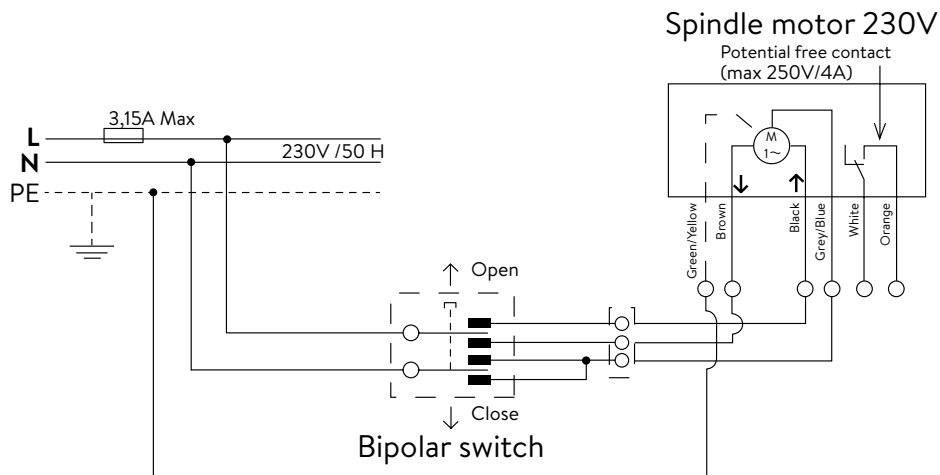
- Bipolar switch (**art. 26924**)



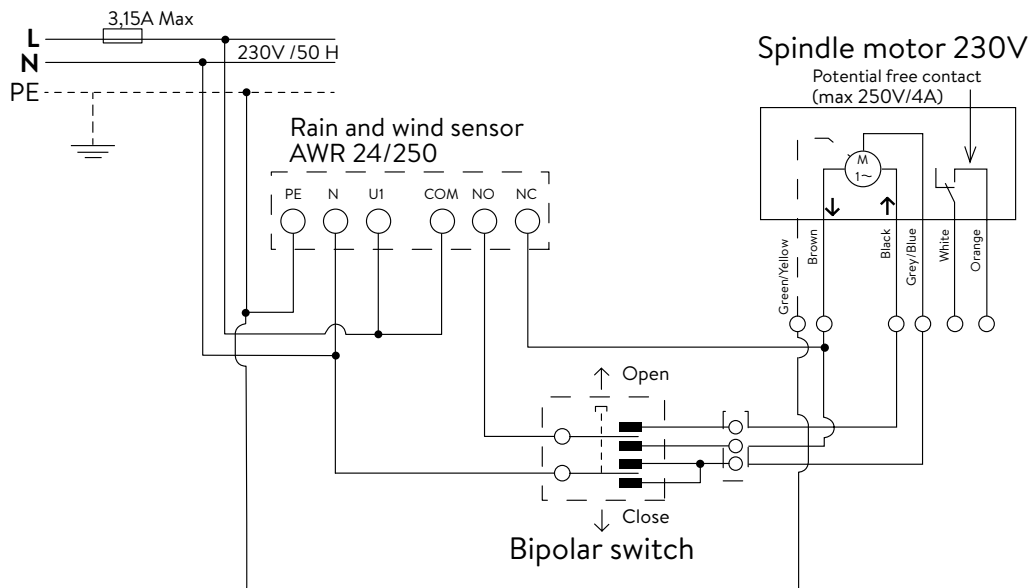
- (Wind and rain sensor) (**art. 25774**)



Wiring diagram Monoflap ventilation



Wiring diagram Monoflap ventilation with rain and wind sensor



Procedure

1. **Connect** the parts by following one of the above diagrams
2. **Ready** to use

Recommended settings for rain and wind sensor art. 25774

The ventilationsystem cannot be opened with the comfort switch when the rain and wind sensor are active.

Factory settings weather sensor = test = Pos 0 = Delay 10 s + highest sensitivity.

Recommended settings weather sensor: Pos 4 = 4 m/s (Delay = 10 min).

Further details: see manual of the wind and rain sensor AWR-24/250.

Max. 8 actuators (0,92 A) can be connected for each rain sensor (8 A).

Max. 10 actuators (0,92 A) can be connected for each switch (10 A).

Use auxiliary relays for more actuators.

SKYLUX® IS A REGISTERED BRAND OF SKYLUX
SPINNERIJSTRAAT 100 - B-8530 STASEGEM
T +32 (0)56 20 00 00 - F +32 (0)56 21 95 99
INFO@SKYLUX.BE
WWW.SKYLUX.BE


Hello daylight!