

Quick start

Wiring diagram wind- and rain detector for Skycom CE detection unit

General product description

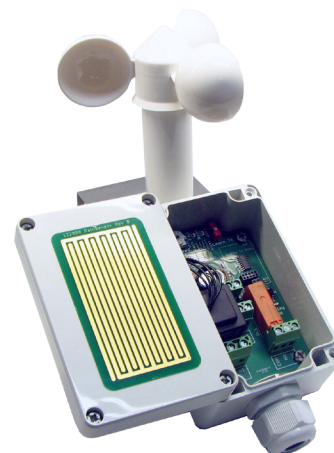
A weather sensor can be connected to the Skycom CE (Master or Skymax) control unit. The weather sensor must be connected according to the scheme.

The smoke hatches should be closed when the wind is above 6 m/s. LED LD3 on the main board indicates active weather sensor - lights as long as input is active. As long as the weather sensor is active, the smoke hatches cannot be opened with comfort switches.

The weather sensor closes on all controls which are connected through bus connection. On the input to weather station a weekly timer can be connected which makes sure that everything is closed, e.g. by end of a working day.

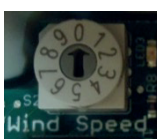
The 24V power supply (terminal 22 & 23) for the weather sensor is standard set this way (J11) that it does not function on batteries. If battery functioning is needed, then mount J11.

This is possible at PCB V5 and the following versions (as from March 2015). Be aware of the reduced standby time due to current consumptions.

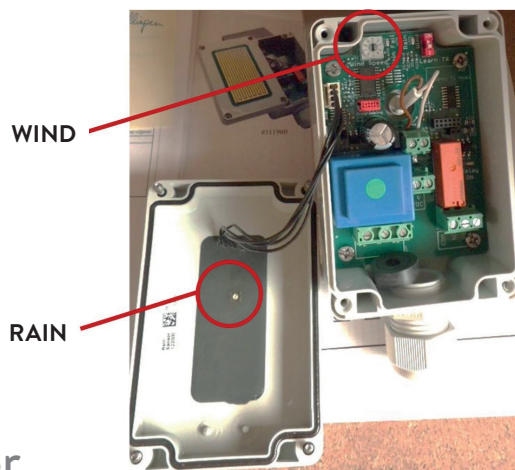


Factory setting weather sensor

- o Wind detection: 0 m/s (= test)



- o Rain detection:

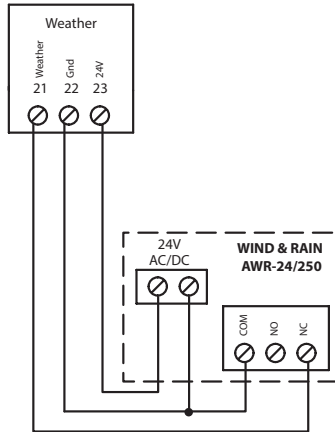


Recommended settings weather sensor

- o Wind intensity: sensibility 4m/s (= moderate breeze) by a potentiometer (adjustable on the print)
Consult overview for all possible wind intensities
- o Rain detection: sensibility adjustable by a potentiometer (adjustable on the inside of the rain sensor)



Electric scheme



For complete information regarding the installation and connection, we refer to the installation instructions of the wind- and rain detector and/or Skycom CE.

Overview wind intensity

Wind intensity	m/s	Delay on release	
Test = factory setting	0	10 Seconds	
Light air	1		
Light breeze	2		
Gentle breeze	3		
Moderate breeze	4		= recommended setting 10 min.
Fresh breeze	5		
Strong breeze	6		
Moderate gale	7		
Fresh gale	8		
Strong gale	9		

SKYLUX NV
 SPINNERIJSTRAAT 100 - B-8530 STASEGEM
 T +32 (0)56 20 00 00 - F +32 (0)56 21 95 99
 INFO@SKYLUX.BE
 WWW.SKYLUX.BE

