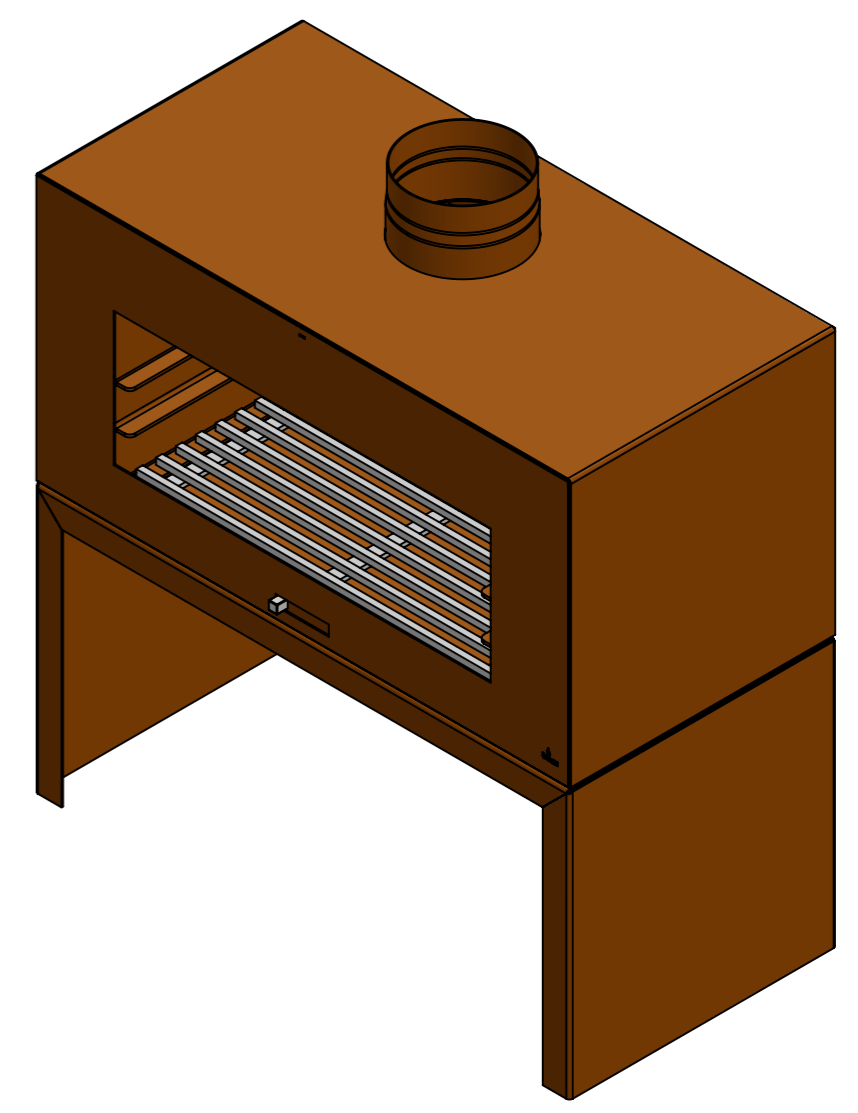
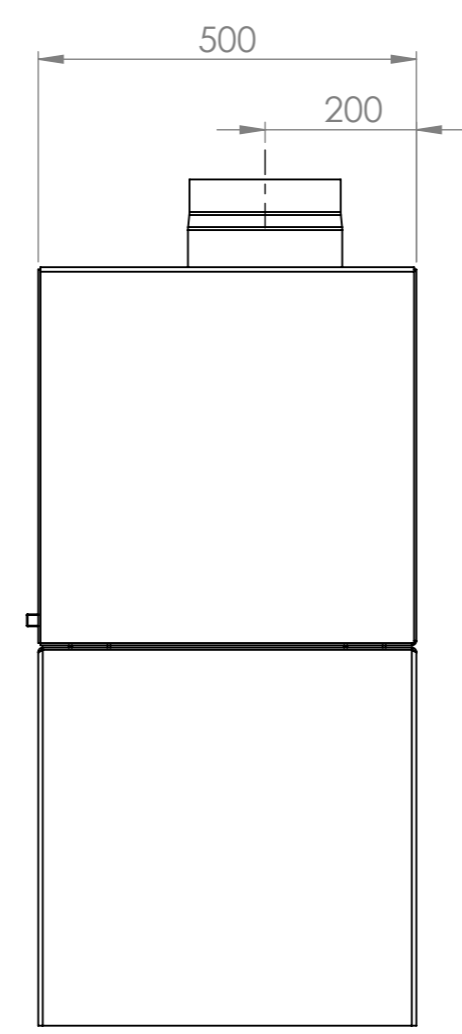
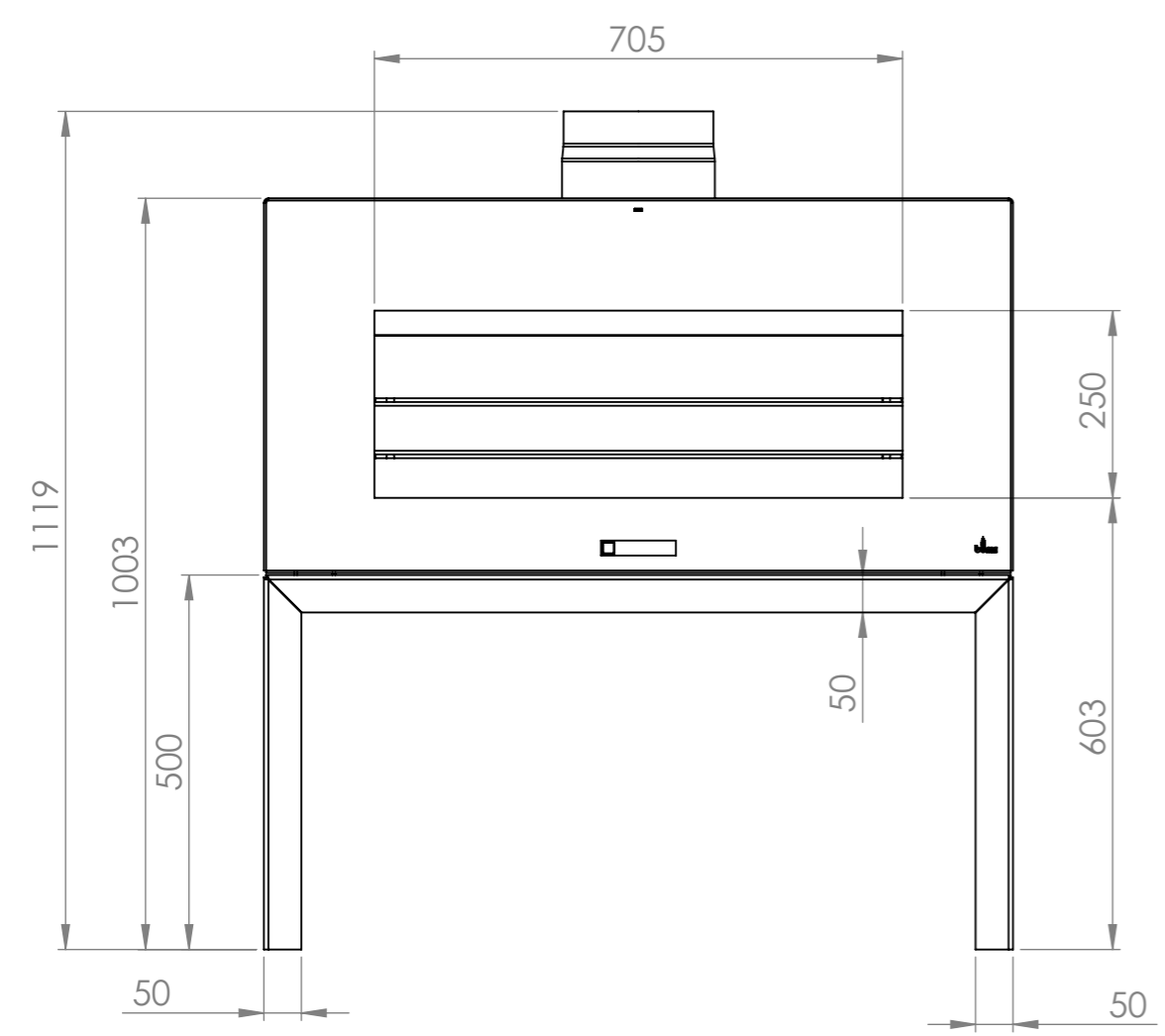
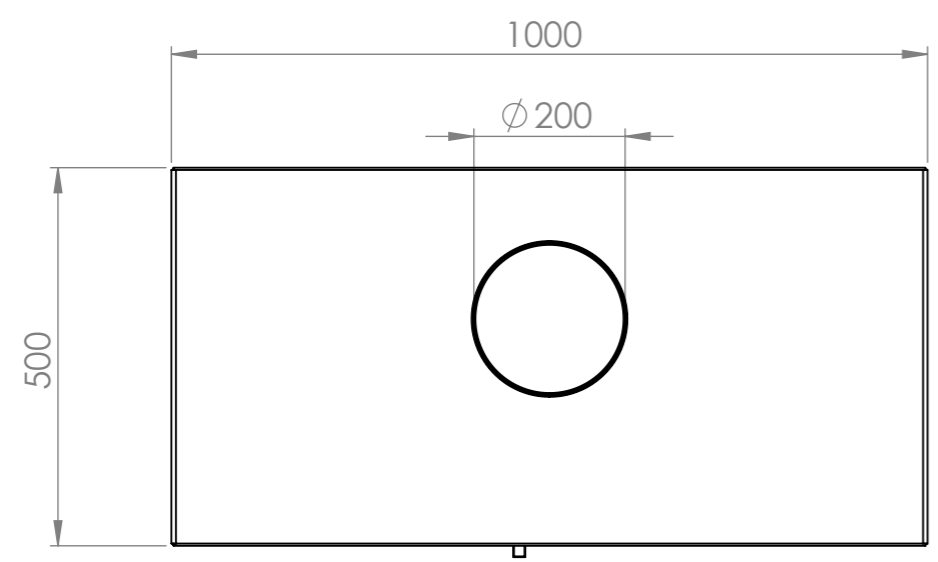


1 2 3 4 5 6 7 8

A
B
C
D
E
F



DRAWN	Luuk van den Heuvel	DATE	8-5-2018		TITLE:	3mm Corten	
REVISION					Drawing:	ENOK BK2SA	A3
		Liessentstraat 4, 5405 AG Uden (NL). t 0031 (0)413 - 27 41 68. e info@adezz.com, i www.adezz.com		Color:	Mass (kg):	133.52	SCALE:1:10
					SHEET 1 OF 2		

1 2 3 4