

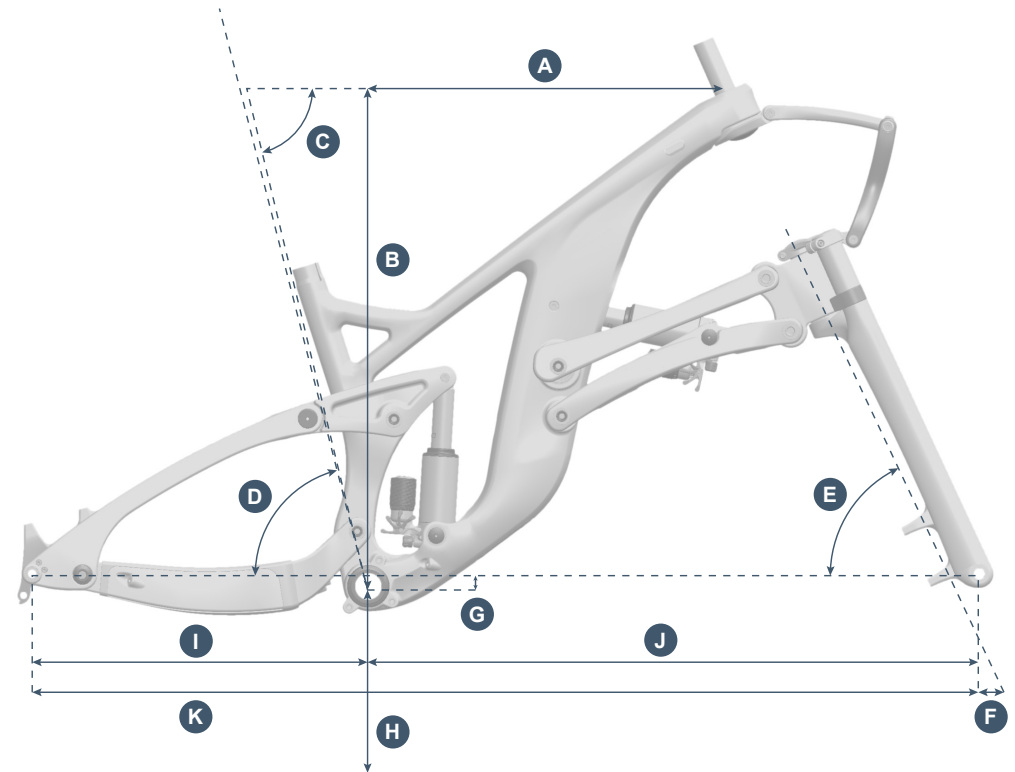
STRUCTURE

THE GEOMETRY

Sizing*

| | G1 | G2 | G3 |
|---|------|------|------|
| (A) Reach | 420 | 461 | 505 |
| (B) Stack | 634 | 640 | 649 |
| (C) Seat Tube Angle @ Head Tube Top | 77° | 77° | 77° |
| (D) Seat Tube Angle @ Full Pedaling Height | 76° | 76° | 76° |
| (E) Head Tube Angle | 66° | 66° | 66° |
| (F) Trail | 110 | 110 | 110 |
| (G) BB Drop | 16 | 16 | 16 |
| (H) BB Height | 341 | 341 | 341 |
| (I) Chainstay Length | 435 | 435 | 435 |
| (J) Front Centre | 741 | 790 | 833 |
| (K) Wheelbase | 1171 | 1224 | 1263 |

*in mm unless otherwise noted



Suggested Rider Height

| | G1 | G2 | G3 |
|---------------------|---------------------------|---------------------------|---------------------------|
| Playful Handling | 165cm-180cm 5'5"-5'11" | 175cm-190cm 5'9"-6'3" | 185cm-197cm 6'1"-6'5" |
| Purposeful Handling | 155cm-170cm 5'1"-5'7" | 165cm-180cm 5'5"-5'11" | 177cm-190cm 5'10"-6'3" |