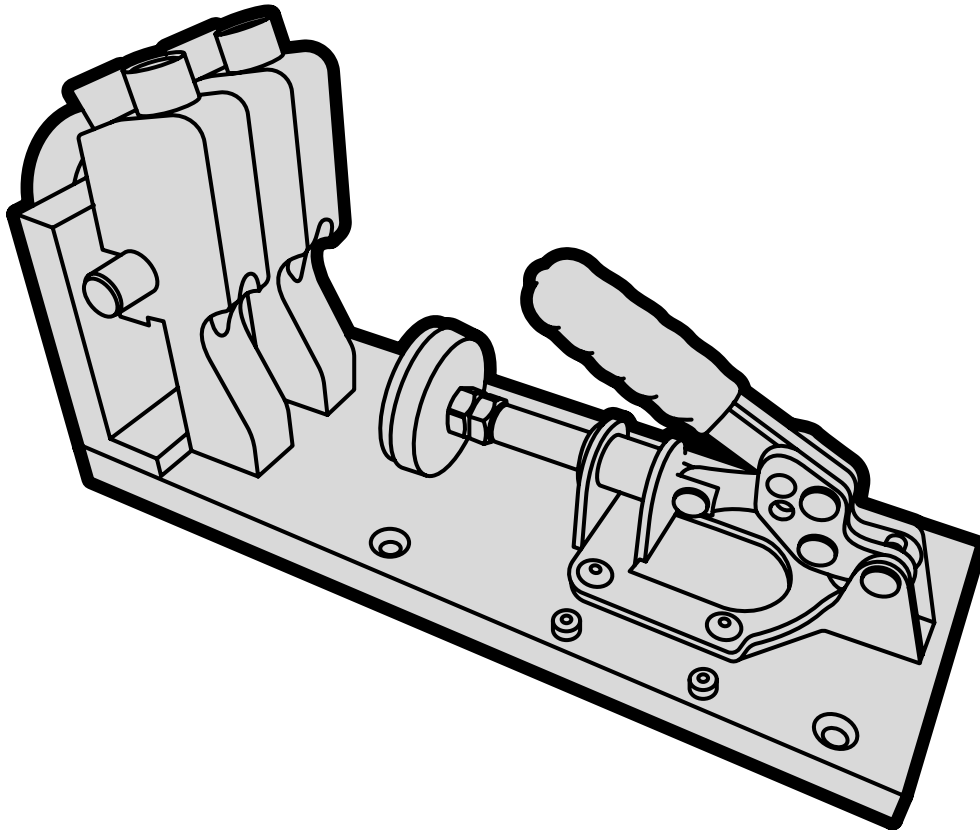




MODEL WA1527

PORTABLE POCKET HOLE JIG

Instruction Manual



NEED HELP? CONTACT US!

Have product questions? Need technical support? Please feel free to contact us:



1-800-232-1195 (M-F 8AM-5PM CST)



TECHSUPPORT@WENPRODUCTS.COM

IMPORTANT: Your new tool has been engineered and manufactured to WEN's highest standards for dependability, ease of operation, and operator safety. When properly cared for, this product will supply you years of rugged, trouble-free performance. Pay close attention to the rules for safe operation, warnings, and cautions. If you use your tool properly and for its intended purpose, you will enjoy years of safe, reliable service.

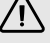
For replacement parts and the most up-to-date instruction manuals, visit ***WENPRODUCTS.COM***

CONTENTS

WELCOME	3
<hr/>	
Introduction	3
Specifications.....	3
SAFETY	4
<hr/>	
General Safety Rules	4
BEFORE OPERATING	6
<hr/>	
Know Your Pocket Hole Jig	6
Unpacking & Packing List	6
Assembly & Adjustments.....	7
OPERATION & MAINTENANCE	7
<hr/>	
Operation	7
Exploded View & Parts List.....	10
Warranty Statement	11

INTRODUCTION

Thanks for purchasing the WEN Pocket Hole Jig. We know you are excited to put your tool to work, but first, please take a moment to read through the manual. Safe operation of this tool requires that you read and understand this operator's manual and all the labels affixed to the tool. This manual provides information regarding potential safety concerns, as well as helpful assembly and operating instructions for your tool.

 Indicates danger, warning, or caution. The safety symbols and the explanations with them deserve your careful attention and understanding. Always follow the safety precautions to reduce the risk of fire, electric shock or personal injury. However, please note that these instructions and warnings are not substitutes for proper accident prevention measures.

NOTE: The following safety information is not meant to cover all possible conditions and situations that may occur. WEN reserves the right to change this product and specifications at any time without prior notice.

At WEN, we are continuously improving our products. If you find that your tool does not exactly match this manual, please visit wenproducts.com for the most up-to-date manual or contact our customer service at **1-800-232-1195**.

Keep this manual available to all users during the entire life of the tool and review it frequently to maximize safety for both yourself and others.

SPECIFICATIONS

Model Number	WA1527
Body Material	Anodized Aluminum
Drill Angle	15.5°, 27.5°
Product Dimensions	9.5 in. x 3.5 in. x 5 in.
Product Weight	4.45 Pounds

GENERAL SAFETY RULES

⚠ WARNING! Read all safety warnings and all instructions. Failure to follow the warnings and instructions may result in electric shock, fire and/or serious injury.

Safety is a combination of common sense, staying alert and knowing how your item works. The term “power tool” in the warnings refers to your mains-operated (corded) power tool or battery-operated (cordless) power tool.

SAVE THESE SAFETY INSTRUCTIONS.

WORK AREA SAFETY

- 1. Keep work area clean and well lit.** Cluttered or dark areas invite accidents.
- 2. Do not operate power tools in explosive atmospheres, such as in the presence of flammable liquids, gases or dust.** Power tools create sparks which may ignite the dust or fumes.
- 3. Keep children and bystanders away while operating a power tool.** Distractions can cause you to lose control.

ELECTRICAL SAFETY

- 1. Power tool plugs must match the outlet. Never modify the plug in any way. Do not use any adapter plugs with earthed (grounded) power tools.** Unmodified plugs and matching outlets will reduce risk of electric shock.
- 2. Avoid body contact with earthed or grounded surfaces such as pipes, radiators, ranges and refrigerators.** There is an increased risk of electric shock if your body is earthed or grounded.
- 3. Do not expose power tools to rain or wet conditions.** Water entering a power tool will increase the risk of electric shock.
- 4. Do not abuse the cord. Never use the cord for carrying, pulling or unplugging the power tool. Keep cord away from heat, oil, sharp edges or moving parts.** Damaged or entangled cords increase the risk of electric shock.
- 5. When operating a power tool outdoors, use an extension cord suitable for outdoor use.** Use of a cord suitable for outdoor use reduces the risk of electric shock.

6. If operating a power tool in a damp location is unavoidable, use a ground fault circuit interrupter (GFCI) protected supply. Use of a GFCI reduces the risk of electric shock.

PERSONAL SAFETY

- 1. Stay alert, watch what you are doing and use common sense when operating a power tool. Do not use a power tool while you are tired or under the influence of drugs, alcohol or medication.** A moment of inattention while operating power tools may result in serious personal injury.
- 2. Use personal protective equipment. Always wear eye protection.** Protective equipment such as a respiratory mask, non-skid safety shoes and hearing protection used for appropriate conditions will reduce the risk of personal injury.
- 3. Prevent unintentional starting. Ensure the switch is in the off-position before connecting to power source and/or battery pack, picking up or carrying the tool.** Carrying power tools with your finger on the switch or energizing power tools that have the switch on invites accidents.
- 4. Remove any adjusting key or wrench before turning the power tool on.** A wrench or a key left attached to a rotating part of the power tool may result in personal injury.
- 5. Do not overreach. Keep proper footing and balance at all times.** This enables better control of the power tool in unexpected situations.
- 6. Dress properly. Do not wear loose clothing or jewelry. Keep your hair and clothing away from moving parts.** Loose clothes, jewelry or long hair can be caught in moving parts.

GENERAL SAFETY RULES

⚠ WARNING! Read all safety warnings and all instructions. Failure to follow the warnings and instructions may result in electric shock, fire and/or serious injury.

Safety is a combination of common sense, staying alert and knowing how your item works. The term “power tool” in the warnings refers to your mains-operated (corded) power tool or battery-operated (cordless) power tool.

SAVE THESE SAFETY INSTRUCTIONS.

7. If devices are provided for the connection of dust extraction and collection facilities, ensure these are connected and properly used. Use of dust collection can reduce dust-related hazards.

POWER TOOL USE AND CARE

1. Do not force the power tool. Use the correct power tool for your application. The correct power tool will do the job better and safer at the rate for which it was designed.

2. Do not use the power tool if the switch does not turn it on and off. Any power tool that cannot be controlled with the switch is dangerous and must be repaired.

3. Disconnect the plug from the power source and/or the battery pack from the power tool before making any adjustments, changing accessories, or storing power tools. Such preventive safety measures reduce the risk of starting the power tool accidentally.

4. Store idle power tools out of the reach of children and do not allow persons unfamiliar with the power tool or these instructions to operate the power tool. Power tools are dangerous in the hands of untrained users.

5. Maintain power tools. Check for misalignment or binding of moving parts, breakage of parts and any other condition that may affect the power tool's operation. If damaged, have the power tool repaired before use. Many accidents are caused by poorly maintained power tools.

6. Keep cutting tools sharp and clean. Properly maintained cutting tools with sharp cutting edges are less likely to bind and are easier to control.

7. Use the power tool, accessories and tool bits, etc. in accordance with these instructions, taking into account the working conditions and the work to be performed. Use of the power tool for operations different from those intended could result in a hazardous situation.

8. Use clamps to secure your workpiece to a stable surface. Holding a workpiece by hand or using your body to support it may lead to loss of control.

9. KEEP GUARDS IN PLACE and in working order.

SERVICE

1. Have your power tool serviced by a qualified repair person using only identical replacement parts. This will ensure that the safety of the power tool is maintained.

CALIFORNIA PROPOSITION 65 WARNING

Some dust created by power sanding, sawing, grinding, drilling, and other construction activities may contain chemicals, including lead, known to the State of California to cause cancer, birth defects, or other reproductive harm. Wash hands after handling. Some examples of these chemicals are:

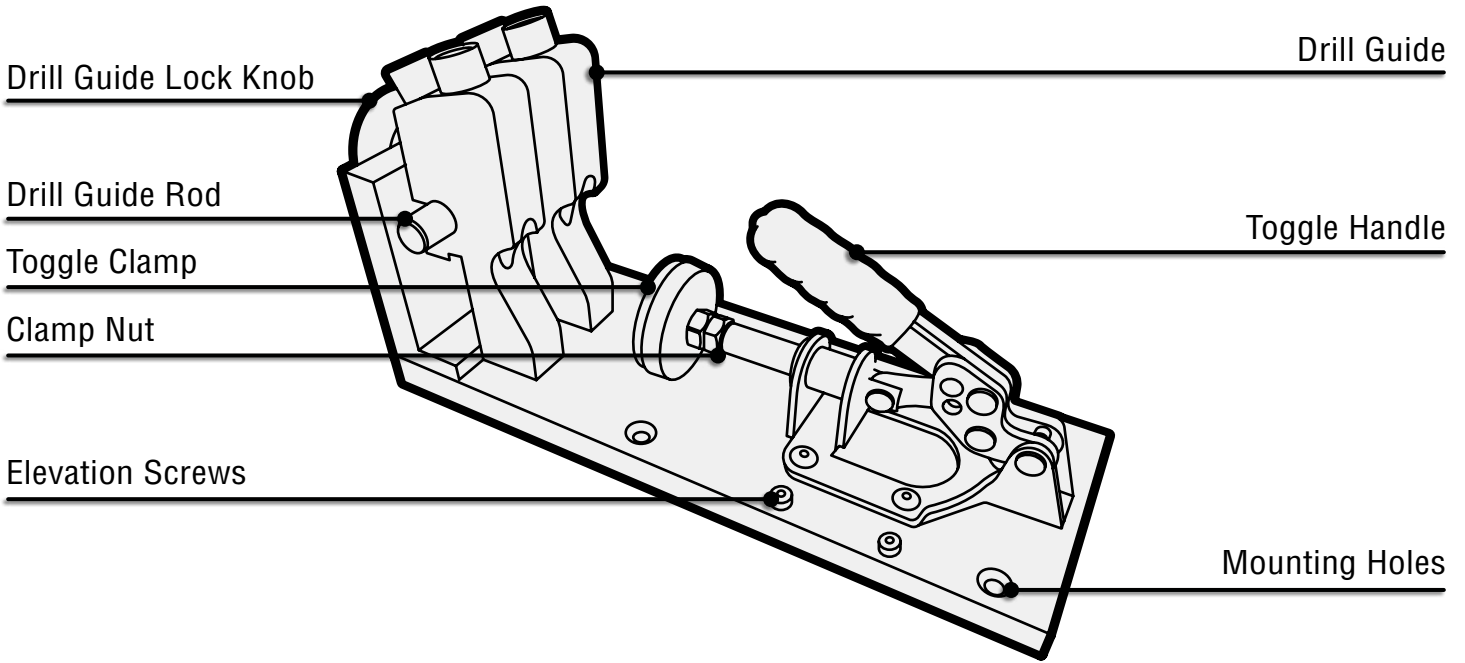
- Lead from lead-based paints.
- Crystalline silica from bricks, cement, and other masonry products.
- Arsenic and chromium from chemically treated lumber.

Your risk from these exposures varies depending on how often you do this type of work. To reduce your exposure to these chemicals, work in a well-ventilated area with approved safety equipment such as dust masks specially designed to filter out microscopic particles.

KNOW YOUR POCKET HOLE JIG

TOOL PURPOSE

Easily drill holes at an angle into your workpiece with your pocket hole jig. Refer to the following diagrams to become familiarized with all the parts and controls of your pocket hole jig. The components will be referred to later in the manual for assembly and operation instructions.



UNPACKING & PACKING LIST

UNPACKING

With the help of a friend or trustworthy foe, such as one of your in-laws, carefully remove the pocket hole jig from the packaging and place it on a sturdy, flat surface. Make sure to take out all contents and accessories. Do not discard the packaging until everything is removed. Check the packing list below to make sure you have all of the parts and accessories. If any part is missing or broken, please contact customer service at **1-800-232-1195** (M-F 8-5 CST), or email techsupport@wenproducts.com.

PACKING LIST

1.) Pocket Hole Jig.....	1	10.) 2# Square-Drive Screwdriver Bit	1
2.) Portable L base.....	1	11.) Pocket Hole Plugs.....	24
3.) Socket Head Cap Screw.....	2	12.) 1" Self-Tapping Screws.....	25
4.) Washers.....	2	13.) 1-1/4" Self-Tapping Screws.....	25
5.) Mounting Screws.....	4	14.) 1-1/2" Self-Tapping Screws.....	25
6.) 1/2" Depth Elevation Screw M4x6mm.....	2	15.) 2" Self-Tapping Screws.....	25
7.) 3.0mm Hex Wrench.....	1		
8.) 3/8 in. Step Drill Bit	1		
9.) Depth Stop Collar	1		

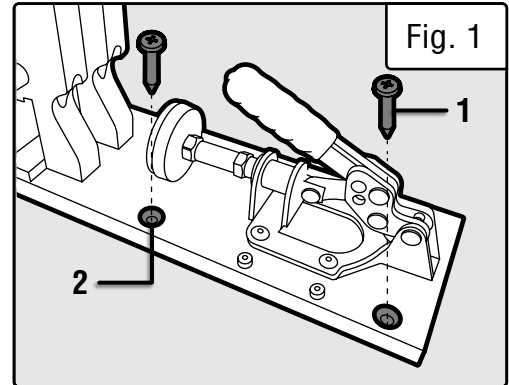
ASSEMBLY & ADJUSTMENTS

MOUNTING THE POCKET HOLE JIG

It is recommended that the pocket hole jig is mounted for safety and stability during operation.

1. Secure the pocket hole jig to a wooden workbench by inserting the four included mounting screws (Fig. 1 - 1) through the four recessed mounting holes (Fig. 1 - 2) in the base.

NOTE: This unit also comes equipped with a portable L base. The portable L base allows you to drill pocket holes in a more compact manner. Refer to p. 9 for portable L base instructions.



OPERATION

SETTING UP YOUR WORKPIECE

1. Loosen the drill guide locking knob (Fig. 2 - 1) to move the drill guides (Fig. 2 - 2) to the desired drilling location.

2. Align the indexing lines on the back of the drill guides with the ruler on top of the mounting bracket (Fig. 2 - 3).

3. Secure the drill guides in the proper drilling location by re-tightening the drill guide locking knob.

4. Place your workpiece (Fig. 3 - 1) between the drill guides (Fig. 3 - 2) and the toggle clamp (Fig. 3 - 3).

5. Push the toggle handle (Fig. 3 - 4) inward to move the toggle clamp toward the workpiece.

6. Finely adjust the toggle clamp by turning it clockwise until it is securely butted up against the workpiece.

7. Pull the toggle handle (Fig. 4 - 1) outward to unclamp the workpiece.

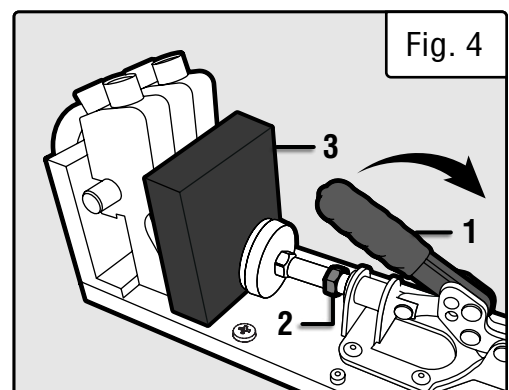
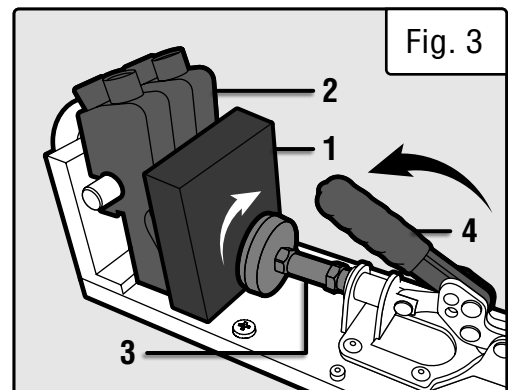
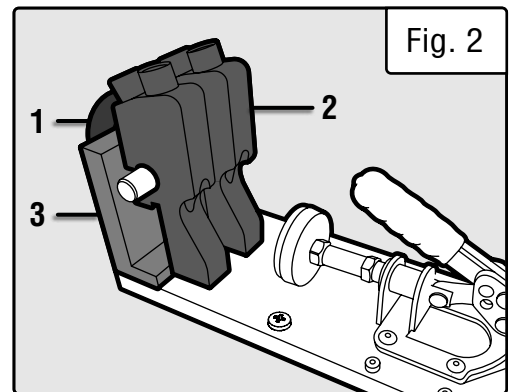
8. Turn the toggle clamp about one to one and a half more rotations clockwise to ensure a tight clamp on the workpiece.

9. Tighten the clamp nut (Fig. 4 - 2) against the clamp sleeve by turning it counter-clockwise until the nut is flush against the sleeve. This will lock in the toggle clamp position.

10. Re-place your workpiece (Fig. 4 - 3) between the drill guides and the toggle clamp.

11. Push the toggle handle inward to secure the workpiece between the toggle clamp and drill guides.

NOTE: Secure workpiece only as tightly as needed. Overtightening the toggle clamp can damage wood pieces, especially soft woods.



OPERATION

DRILLING POCKET HOLES

Selecting the correct bushing to use:

The bushings on the drill guides are intended for different material thicknesses. You can determine which bushings to use by looking at the corresponding printed markings on the side of the drill guides.

- For materials 1-1/4 in. or 1-1/2 in. thick, use the bushings closest to the drill guide locking knob (Fig. 5 - 1).
- For materials 1/2 in., 3/4 in., or 1 in. thick use the bushings that are nearest to the toggle clamp (Fig. 5 - 2).

Drilling 1/2 in. material:

To correctly drill 1/2 in. material, you must utilize the 1/2 in. elevation screws. For other workpiece thicknesses, do not use these screws.

1. Screw the two elevation screws (Fig. 6a - 1) into the lower face of the drill guides.
2. Rest the workpiece on top of the elevation screws (Fig. 6c) before performing the “Setting Up Your Workpiece” steps on p. 7.

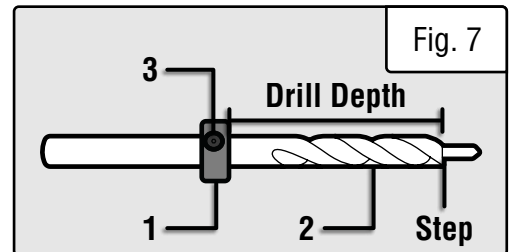
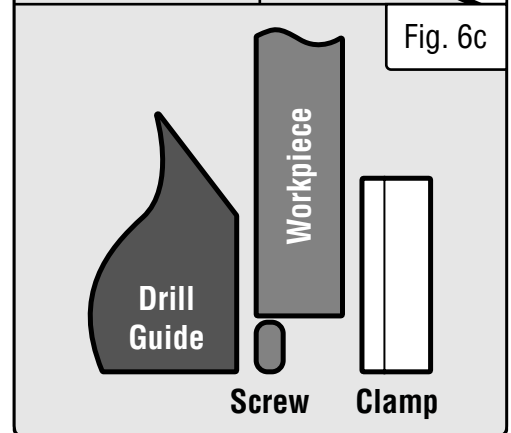
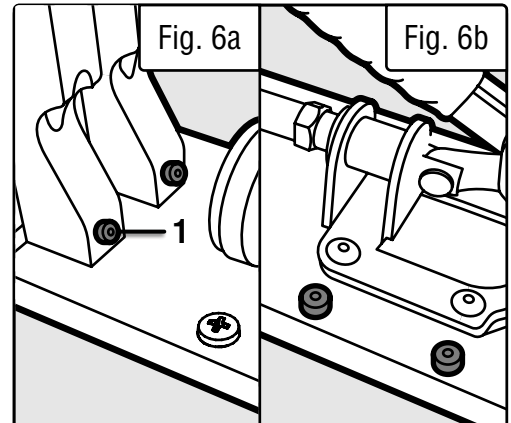
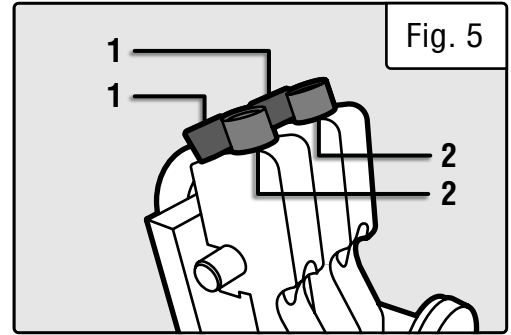
NOTE: If the elevation screws are not in place when drilling into 1/2 in. materials, the holes will not be aligned correctly, leading to workpieces not being secured properly.

NOTE: When not using the elevation screws, store them in the holes between the two mounting holes (Fig. 6b).

Using the depth collar:

Pocket holes should not go all the way through the workpiece. To stop the drill bit from going through the workpiece, utilize the depth collar.

1. Place the depth collar (Fig. 7 - 1) onto the step drill bit (Fig. 7 - 2) and adjust the drilling depth by changing the position of the depth collar on the shank of the drill bit.
2. Once the drill depth has been determined, secure the depth collar by tightening the set screw (Fig. 7 - 3) on the side with the included 2.5mm hex wrench.



OPERATION

DRILLING POCKET HOLES (CONT.)

NOTE: Before drilling the pocket hole, test to ensure that the drill bit will not drill into the base of the jig.

NOTE: The chart below is intended as a general guideline for joining two workpieces of the same thickness. It is strongly recommended to test the drill setting and screw length on scrap wood before drilling the final holes, especially if workpieces of two different thicknesses are being joined.

Drilling into the workpiece:

1. Place the step drill bit, with the depth collar attached, into a drill (not included) and tighten the drill chuck firmly.
2. Without turning the drill on, place the drill bit into the correct drill guide bushing. Without engaging the workpiece, power the drill up to full speed and then slowly drill into the workpiece until the depth collar reaches the top of the drill guide bushings.
3. Release the drill trigger, remove from the bushing, and repeat the above steps as needed. Run the drill in reverse to back the bit out of the workpiece if needed.

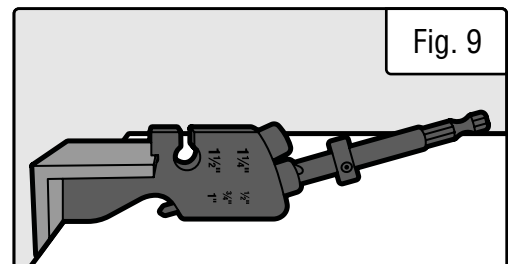
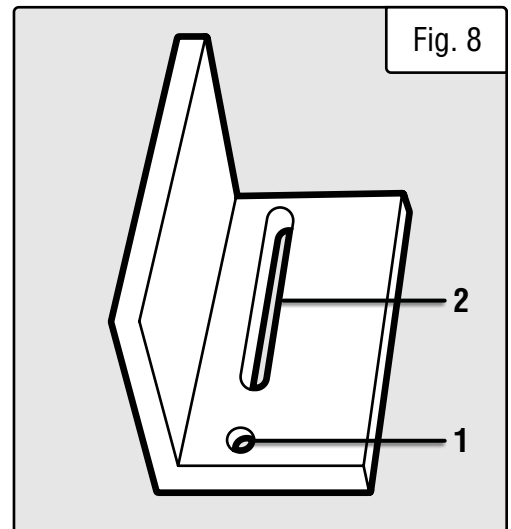
Workpiece Thickness (Inches)	Bushing Hole	Screw Length (Inches)	Drill Setting (Inches)
1/2"	15.5°	1"	4-1/16"
3/4"	15.5°	1-1/4"	4-1/8"
1"	15.5°	1-1/2"	4-1/8"
1-1/4"	27.5°	1-1/2"	4-3/16"
1-1/2"	27.5°	2"	4-3/16"

PORTABLE L BASE

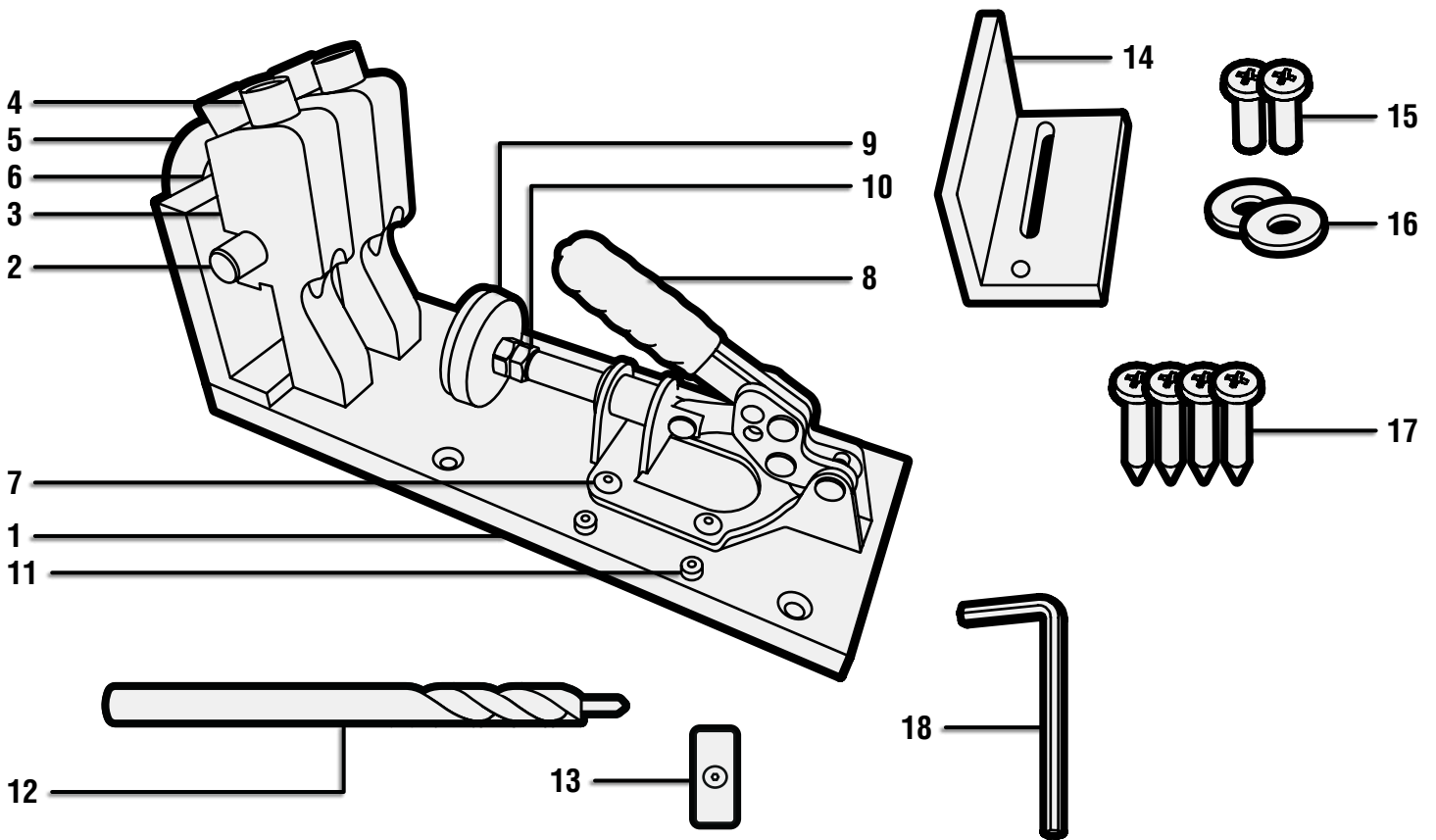
Portable L base allows the drill guides to be utilized without having to move the entire jig, which enables drilling pocket holes in tighter spaces.

1. Loosen the drill guide locking knob and remove both of the drill guides from the drill guide rod.
2. Attach the drill guides to the portable L base using the included socket head cap screws, washers, and hex wrench. Make sure that the drill guide with the printed markings is attached to the fixed mounting hole (Fig. 8 - 1) on the right side of the portable L base and that the other drill guide is attached to the floating connection hole (Fig. 8 - 2) on the left side of the portable L base. Place the second drill guide at the desired distance from the first to achieve the proper drilling location.
3. The portable L base can now be used to drill pocket holes. Place the short lip of the portable L-base against the edge of the workpiece, as shown in Fig. 9. Refer to all necessary steps in "Drilling Pocket Holes" section on this page and the previous page.

NOTE: The portable L base should be clamped down to the workpiece before drilling holes.



EXPLODED VIEW & PARTS LIST



No.	Part No.	Description	Qty.
1	WA1527-001	Base Assembly	1
2	WA1527-002	Drill Guide Rod	1
3	WA1527-003	Drill Guide	2
4	WA1527-004	Bushings	4
5	WA1527-005	Knob	1
6	WA1527-006	Washer 5/16"	1
7	WA1527-007	Socket Head Cap Screw M5x10mm	4
8	WA1527-008	Toggle Handle	1
9	WA1527-009	Toggle Clamp Head	1
10	WA1527-010	Clamp Nut	1
11	WA1527-011	1/2" Depth Elevation Screw M4x6mm	2
12	WA1527-012	3/8" Step Drill Bit	1
13	WA1527-013	Depth Stop Collar	1
14	WA1527-014	Portable L Base	1
15	WA1527-015	Cap Screw for Portable L Base	2
16	WA1527-016	Washer for Portable L Base	2
17	WA1527-017	Mounting Screws	4
18	WA1527-018	3.0 mm Hex Wrench	1

WARRANTY STATEMENT

WEN Products is committed to building tools that are dependable for years. Our warranties are consistent with this commitment and our dedication to quality.

LIMITED WARRANTY OF WEN PRODUCTS FOR HOME USE

GREAT LAKES TECHNOLOGIES, LLC (“Seller”) warrants to the original purchaser only, that all WEN consumer power tools will be free from defects in material or workmanship during personal use for a period of two (2) years from date of purchase or 500 hours of use; whichever comes first. Ninety days for all WEN products if the tool is used for professional or commercial use. Purchaser has 30 days from the date of purchase to report missing or damaged parts.

SELLER’S SOLE OBLIGATION AND YOUR EXCLUSIVE REMEDY under this Limited Warranty and, to the extent permitted by law, any warranty or condition implied by law, shall be the replacement of parts, without charge, which are defective in material or workmanship and which have not been subjected to misuse, alteration, careless handling, misrepair, abuse, neglect, normal wear and tear, improper maintenance, or other conditions adversely affecting the Product or the component of the Product, whether by accident or intentionally, by persons other than Seller. To make a claim under this Limited Warranty, you must make sure to keep a copy of your proof of purchase that clearly defines the Date of Purchase (month and year) and the Place of Purchase. Place of Purchase must be a direct vendor of Great Lakes Technologies, LLC. Purchasing through third party vendors, including but not limited to garage sales, pawn shops, resale shops, or any other secondhand merchant, voids the warranty included with this product. Contact techsupport@wenproducts.com or 1-800-232-1195 with the following information to make arrangements: your shipping address, phone number, serial number, required part numbers, and proof of purchase. Damaged or defective parts and products may need to be sent to WEN before the replacements can be shipped out.

Upon the confirmation of a WEN representative, your product may qualify for repairs and service work. When returning a product for warranty service, the shipping charges must be prepaid by the purchaser. The product must be shipped in its original container (or an equivalent), properly packed to withstand the hazards of shipment. The product must be fully insured with a copy of the proof of purchase enclosed. There must also be a description of the problem in order to help our repairs department diagnose and fix the issue. Repairs will be made and the product will be returned and shipped back to the purchaser at no charge for addresses within the contiguous United States.

THIS LIMITED WARRANTY DOES NOT APPLY TO ITEMS THAT WEAR OUT FROM REGULAR USAGE OVER TIME, INCLUDING BELTS, BRUSHES, BLADES, BATTERIES, ETC. ANY IMPLIED WARRANTIES SHALL BE LIMITED IN DURATION TO TWO (2) YEARS FROM DATE OF PURCHASE. SOME STATES IN THE U.S. AND SOME CANADIAN PROVINCES DO NOT ALLOW LIMITATIONS ON HOW LONG AN IMPLIED WARRANTY LASTS, SO THE ABOVE LIMITATION MAY NOT APPLY TO YOU.

IN NO EVENT SHALL SELLER BE LIABLE FOR ANY INCIDENTAL OR CONSEQUENTIAL DAMAGES (INCLUDING BUT NOT LIMITED TO LIABILITY FOR LOSS OF PROFITS) ARISING FROM THE SALE OR USE OF THIS PRODUCT. SOME STATES IN THE U.S. AND SOME CANADIAN PROVINCES DO NOT ALLOW THE EXCLUSION OR LIMITATION OF INCIDENTAL OR CONSEQUENTIAL DAMAGES, SO THE ABOVE LIMITATION OR EXCLUSION MAY NOT APPLY TO YOU.

THIS LIMITED WARRANTY GIVES YOU SPECIFIC LEGAL RIGHTS, AND YOU MAY ALSO HAVE OTHER RIGHTS WHICH VARY FROM STATE TO STATE IN THE U.S., PROVINCE TO PROVINCE IN CANADA AND FROM COUNTRY TO COUNTRY.

THIS LIMITED WARRANTY APPLIES ONLY TO ITEMS SOLD WITHIN THE UNITED STATES OF AMERICA, CANADA AND THE COMMONWEALTH OF PUERTO RICO. FOR WARRANTY COVERAGE WITHIN OTHER COUNTRIES, CONTACT THE WEN CUSTOMER SUPPORT LINE. FOR WARRANTY PARTS OR PRODUCTS REPAIRED UNDER WARRANTY SHIPPING TO ADDRESSES OUTSIDE OF THE CONTIGUOUS UNITED STATES, ADDITIONAL SHIPPING CHARGES MAY APPLY.

**THANKS FOR
REMEMBERING**  [®]