



**MODEL WA1300, WA1300-2**

# **1300-POUND CAPACITY STEEL SAWHORSE**

**Instruction Manual**



## ***NEED HELP? CONTACT US!***

Have product questions? Need technical support? Please feel free to contact us:



**1-800-232-1195 (M-F 8AM-5PM CST)**



**TECHSUPPORT@WENPRODUCTS.COM**

**IMPORTANT:** Your new tool has been engineered and manufactured to WEN's highest standards for dependability, ease of operation, and operator safety. When properly cared for, this product will supply you years of rugged, trouble-free performance. Pay close attention to the rules for safe operation, warnings, and cautions. If you use your tool properly and for its intended purpose, you will enjoy years of safe, reliable service.

For replacement parts and the most up-to-date instruction manuals, visit ***WENPRODUCTS.COM***

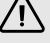
# **CONTENTS**

|                                    |          |
|------------------------------------|----------|
| <b>WELCOME</b>                     | <b>3</b> |
| Introduction .....                 | 3        |
| Specifications.....                | 3        |
| <br>                               |          |
| <b>SAFETY</b>                      | <b>4</b> |
| General Safety Rules.....          | 4        |
| <br>                               |          |
| <b>BEFORE OPERATING</b>            | <b>6</b> |
| Know Your Sawhorse.....            | 6        |
| Assembly & Adjustments.....        | 7        |
| <br>                               |          |
| <b>OPERATION &amp; MAINTENANCE</b> | <b>8</b> |
| Operation .....                    | 8        |
| Maintenance.....                   | 9        |
| Exploded View & Parts List.....    | 10       |
| Warranty Statement .....           | 12       |

To purchase replacement parts and accessories for your tool, visit ***WENPRODUCTS.COM***

## INTRODUCTION

Thanks for purchasing the WEN Sawhorse. We know you are excited to put your tool to work, but first, please take a moment to read through the manual. Safe operation of this tool requires that you read and understand this operator's manual and all the labels affixed to the tool. This manual provides information regarding potential safety concerns, as well as helpful assembly and operating instructions for your tool.

 Indicates danger, warning, or caution. The safety symbols and the explanations with them deserve your careful attention and understanding. Always follow the safety precautions to reduce the risk of fire, electric shock or personal injury. However, please note that these instructions and warnings are not substitutes for proper accident prevention measures.

**NOTE:** The following safety information is not meant to cover all possible conditions and situations that may occur. WEN reserves the right to change this product and specifications at any time without prior notice.

At WEN, we are continuously improving our products. If you find that your tool does not exactly match this manual, please visit [wenproducts.com](http://wenproducts.com) for the most up-to-date manual or contact our customer service at **1-800-232-1195**.

**Keep this manual available to all users during the entire life of the tool and review it frequently to maximize safety for both yourself and others.**

## SPECIFICATIONS

|                             |                                |
|-----------------------------|--------------------------------|
| Model Number                | WA1300, WA1300-2               |
| Standing Dimensions         | 42.9 in. x 27.1 in. x 32.2 in. |
| Folded Dimensions           | 3 in. x 5.75 in. x 42.9 in.    |
| Top Height Range            | 24.3 in. to 32.2 in.           |
| Height Adjustment Positions | 9 Positions                    |
| Maximum Load per Unit       | 1300 lbs                       |
| Net Product Weight          | 20.5 lbs                       |

# GENERAL SAFETY RULES

**⚠ WARNING!** Read all safety warnings and all instructions. Failure to follow the warnings and instructions may result in electric shock, fire and/or serious injury.

Safety is a combination of common sense, staying alert and knowing how your item works. The term “power tool” in the warnings refers to your mains-operated (corded) power tool or battery-operated (cordless) power tool.

## SAVE THESE SAFETY INSTRUCTIONS.

### WORK AREA SAFETY

- 1. Keep work area clean and well lit.** Cluttered or dark areas invite accidents.
- 2. Do not operate power tools in explosive atmospheres, such as in the presence of flammable liquids, gases or dust.** Power tools create sparks which may ignite the dust or fumes.
- 3. Keep children and bystanders away while operating a power tool.** Distractions can cause you to lose control.

### ELECTRICAL SAFETY

- 1. Power tool plugs must match the outlet. Never modify the plug in any way. Do not use any adapter plugs with earthed (grounded) power tools.** Unmodified plugs and matching outlets will reduce risk of electric shock.
- 2. Avoid body contact with earthed or grounded surfaces such as pipes, radiators, ranges and refrigerators.** There is an increased risk of electric shock if your body is earthed or grounded.
- 3. Do not expose power tools to rain or wet conditions.** Water entering a power tool will increase the risk of electric shock.
- 4. Do not abuse the cord. Never use the cord for carrying, pulling or unplugging the power tool. Keep cord away from heat, oil, sharp edges or moving parts.** Damaged or entangled cords increase the risk of electric shock.
- 5. When operating a power tool outdoors, use an extension cord suitable for outdoor use.** Use of a cord suitable for outdoor use reduces the risk of electric shock.

**6. If operating a power tool in a damp location is unavoidable, use a ground fault circuit interrupter (GFCI) protected supply.** Use of a GFCI reduces the risk of electric shock.

### PERSONAL SAFETY

- 1. Stay alert, watch what you are doing and use common sense when operating a power tool. Do not use a power tool while you are tired or under the influence of drugs, alcohol or medication.** A moment of inattention while operating power tools may result in serious personal injury.
- 2. Use personal protective equipment. Always wear eye protection.** Protective equipment such as a respiratory mask, non-skid safety shoes and hearing protection used for appropriate conditions will reduce the risk of personal injury.
- 3. Prevent unintentional starting. Ensure the switch is in the off-position before connecting to power source and/or battery pack, picking up or carrying the tool.** Carrying power tools with your finger on the switch or energizing power tools that have the switch on invites accidents.
- 4. Remove any adjusting key or wrench before turning the power tool on.** A wrench or a key left attached to a rotating part of the power tool may result in personal injury.
- 5. Do not overreach. Keep proper footing and balance at all times.** This enables better control of the power tool in unexpected situations.
- 6. Dress properly. Do not wear loose clothing or jewelry. Keep your hair and clothing away from moving parts.** Loose clothes, jewelry or long hair can be caught in moving parts.

# GENERAL SAFETY RULES

 **WARNING!** Read all safety warnings and all instructions. Failure to follow the warnings and instructions may result in electric shock, fire and/or serious injury.

Safety is a combination of common sense, staying alert and knowing how your item works. The term “power tool” in the warnings refers to your mains-operated (corded) power tool or battery-operated (cordless) power tool.

## SAVE THESE SAFETY INSTRUCTIONS.

**7. If devices are provided for the connection of dust extraction and collection facilities, ensure these are connected and properly used.** Use of dust collection can reduce dust-related hazards.

### POWER TOOL USE AND CARE

**1. Do not force the power tool. Use the correct power tool for your application.** The correct power tool will do the job better and safer at the rate for which it was designed.

**2. Do not use the power tool if the switch does not turn it on and off.** Any power tool that cannot be controlled with the switch is dangerous and must be repaired.

**3. Disconnect the plug from the power source and/or the battery pack from the power tool before making any adjustments, changing accessories, or storing power tools.** Such preventive safety measures reduce the risk of starting the power tool accidentally.

**4. Store idle power tools out of the reach of children and do not allow persons unfamiliar with the power tool or these instructions to operate the power tool.** Power tools are dangerous in the hands of untrained users.

**5. Maintain power tools. Check for misalignment or binding of moving parts, breakage of parts and any other condition that may affect the power tool's operation. If damaged, have the power tool repaired before use.** Many accidents are caused by poorly maintained power tools.

**6. Keep cutting tools sharp and clean.** Properly maintained cutting tools with sharp cutting edges are less likely to bind and are easier to control.

**7. Use the power tool, accessories and tool bits, etc. in accordance with these instructions, taking into account the working conditions and the work to be performed.** Use of the power tool for operations different from those intended could result in a hazardous situation.

**8. Use clamps to secure your workpiece to a stable surface.** Holding a workpiece by hand or using your body to support it may lead to loss of control.

**9. KEEP GUARDS IN PLACE** and in working order.

### SERVICE

**1. Have your power tool serviced by a qualified repair person using only identical replacement parts.** This will ensure that the safety of the power tool is maintained.

### CALIFORNIA PROPOSITION 65 WARNING

Some dust created by power sanding, sawing, grinding, drilling, and other construction activities may contain chemicals, including lead, known to the State of California to cause cancer, birth defects, or other reproductive harm. Wash hands after handling. Some examples of these chemicals are:

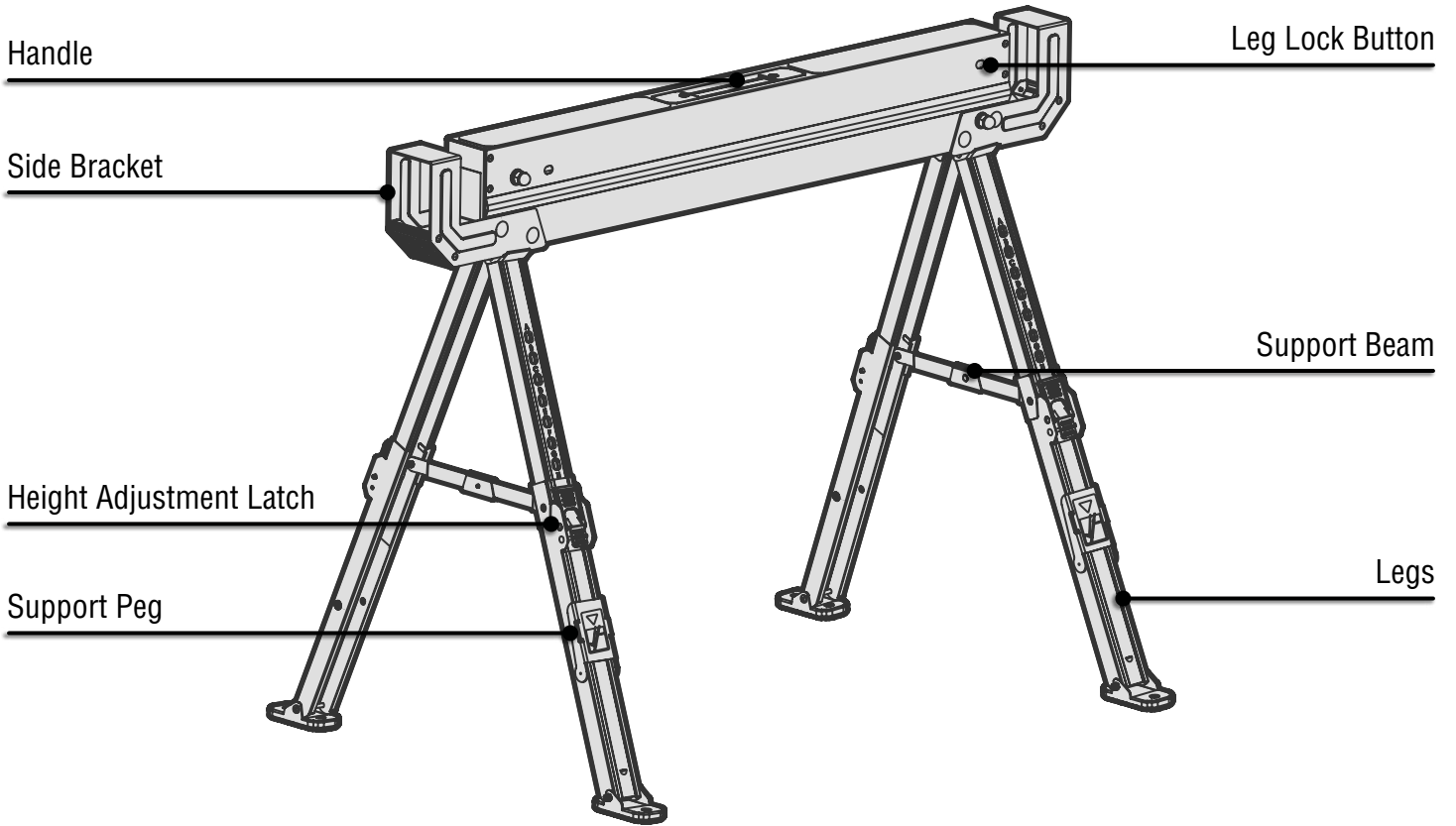
- Lead from lead-based paints.
- Crystalline silica from bricks, cement, and other masonry products.
- Arsenic and chromium from chemically treated lumber.

Your risk from these exposures varies depending on how often you do this type of work. To reduce your exposure to these chemicals, work in a well-ventilated area with approved safety equipment such as dust masks specially designed to filter out microscopic particles.

# KNOW YOUR SAWHORSE

## TOOL PURPOSE

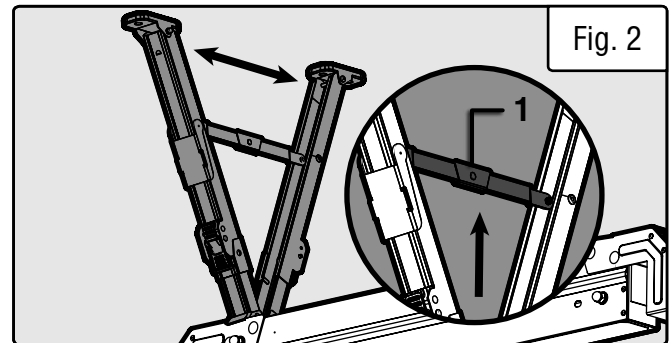
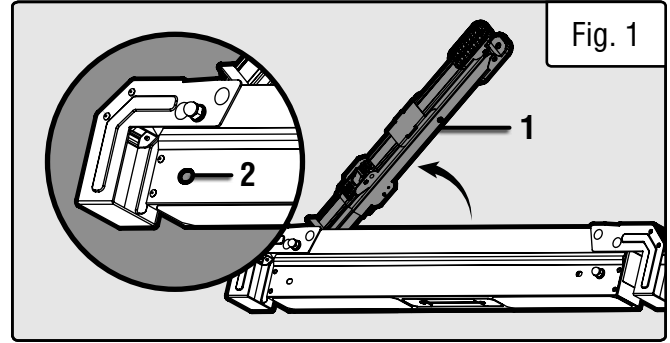
Support all types of projects and work pieces with your sawhorse. Refer to the following diagrams to become familiarized with all the parts of your sawhorse. The components will be referred to later in the manual for assembly and operation instructions.



# ASSEMBLY & ADJUSTMENTS

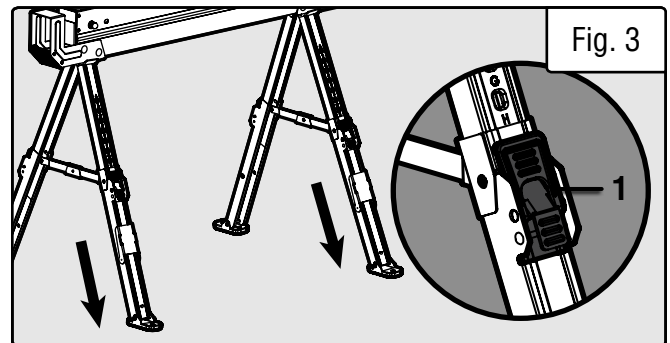
## UNFOLDING THE SAWHORSE

1. Turn the unit upside down.
2. Extend the first leg (Fig. 1 - 1) by pressing its respective lock button (Fig. 1 - 2) to release the leg.
3. Rotate the legs out from the worktop body. Pull the legs apart from each other so that they are stable and perpendicular to the worktop body (Fig. 2).
4. Push up on the support beam (Fig. 2 - 1) to lock and secure the legs.
5. Repeat steps 2 - 4 for the other leg, making sure it is stable and secure as well.
6. Flip unit right side up to use your sawhorse.



## FOLDING THE SAWHORSE

1. Turn the unit upside down.
2. Set the legs to the lowest height setting (see below).
3. Push down on the support beam and push the legs together, making sure that they fold into one another. Repeat for the other leg.
4. Rotate the first leg into the worktop body so that the positioning spring locks it in place. Repeat for the other leg.



**NOTE:** Fold in the leg with the acorn nut closer to the top of the worktop body first to properly fold the unit.

## HEIGHT ADJUSTMENT

Your sawhorse is equipped with 9 different height options to fit a wide range of work spaces and allow comfortable use for people of all heights. In order to adjust the height properly, follow the following steps:

1. Flip down the height adjustment latch (Fig. 3 - 1) and then push down on the height adjust latch to moving the leg to the desired position.
2. Make sure that the pin on the leg lock lever is securely locked in one of the upper leg holes and that all legs are locked at the same height.
3. Flip the height adjust latch back up to lock the leg height.

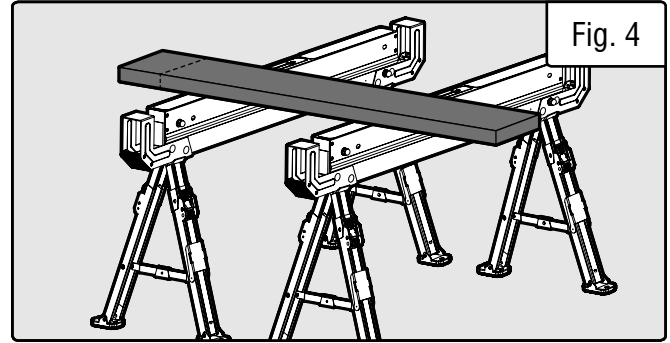
**NOTE:** The holes on the upper leg have letters associated with them. This can help ensure that the lower legs are all positioned at the same height.

## OPERATION

Your sawhorse is capable of helping around the jobsite in a variety of ways. From supporting material to creating a temporary table, there are many uses where your sawhorse can be a trusty companion. Below are only a few examples.

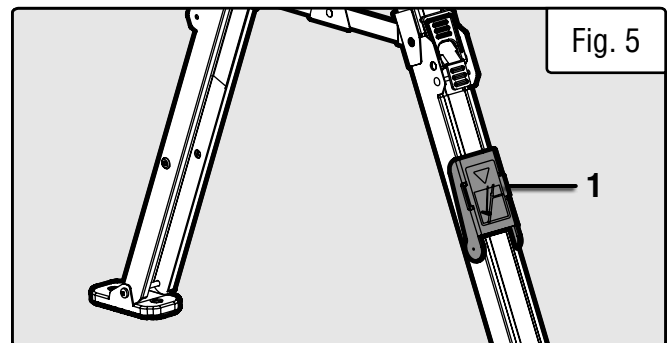
### MATERIAL SUPPORT ON WORKTOP

When needing to cut longer workpieces without a table present, a workpiece can be supported by two sawhorses. Make sure that the workpiece is properly supported and cut the piece outside of where it is supported by the sawhorse. Never cut the workpiece in between the sawhorses. This can lead to poor workpiece finish cuts and possible injury to the user (Fig. 4).



### MATERIAL SUPPORT ON SUPPORT PEGS

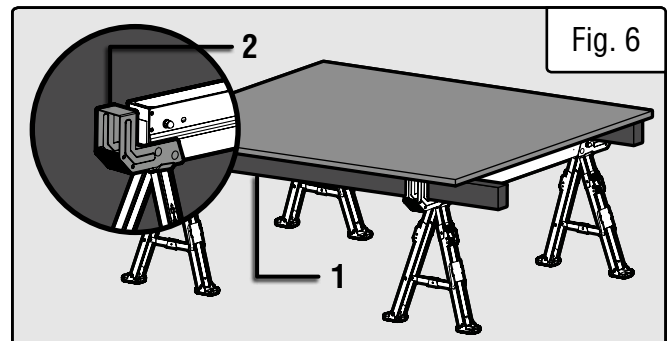
Your sawhorse is equipped with material support pegs (Fig. 5 - 1) that can fold out to support material for cutting or for storage. If using the support pegs to support material for a cut, be careful to avoid cutting into the sawhorse's side brackets.



### JOBSITE TABLE

A quick and sturdy worktable can be made by joining the power of two WA1300 sawhorses, a couple of 2x4s, and some plywood.

To create the table, insert two 2x4s of similar length (Fig. 6 - 1) into the sawhorses' side brackets (Fig. 6 - 2), spanning the two sawhorses. Place a sheet of plywood over the 2x4s and sawhorses, ensuring that the plywood is fully supported on all sides. Screw or nail the plywood into the 2x4s for an extra sturdy table.





# MAINTENANCE

## ROUTINE INSPECTION

Before each use, inspect the tool. If any of these following conditions exist, do not use until parts are replaced.

### Check for:

- Loose hardware or improper mounting
- Misalignment
- Cracked or broken parts
- Any other condition that may affect its safe operation

**⚠ CAUTION!** Most plastics are susceptible to damage from various types of commercial solvents. Do not use any cleaning products that could damage plastic parts. Some of these include but are not limited to: gasoline, carbon tetrachloride, chlorinated cleaning solvents, and household detergents that contain ammonia.

## CLEANING & STORAGE

1. After every operation, use a vacuum to remove sawdust or metal shavings from the tool surfaces, motor housing and work area.
2. Wipe the tool surfaces clean with a soft cloth or brush.
3. Store the tool in a clean and dry place away from the reach of children.

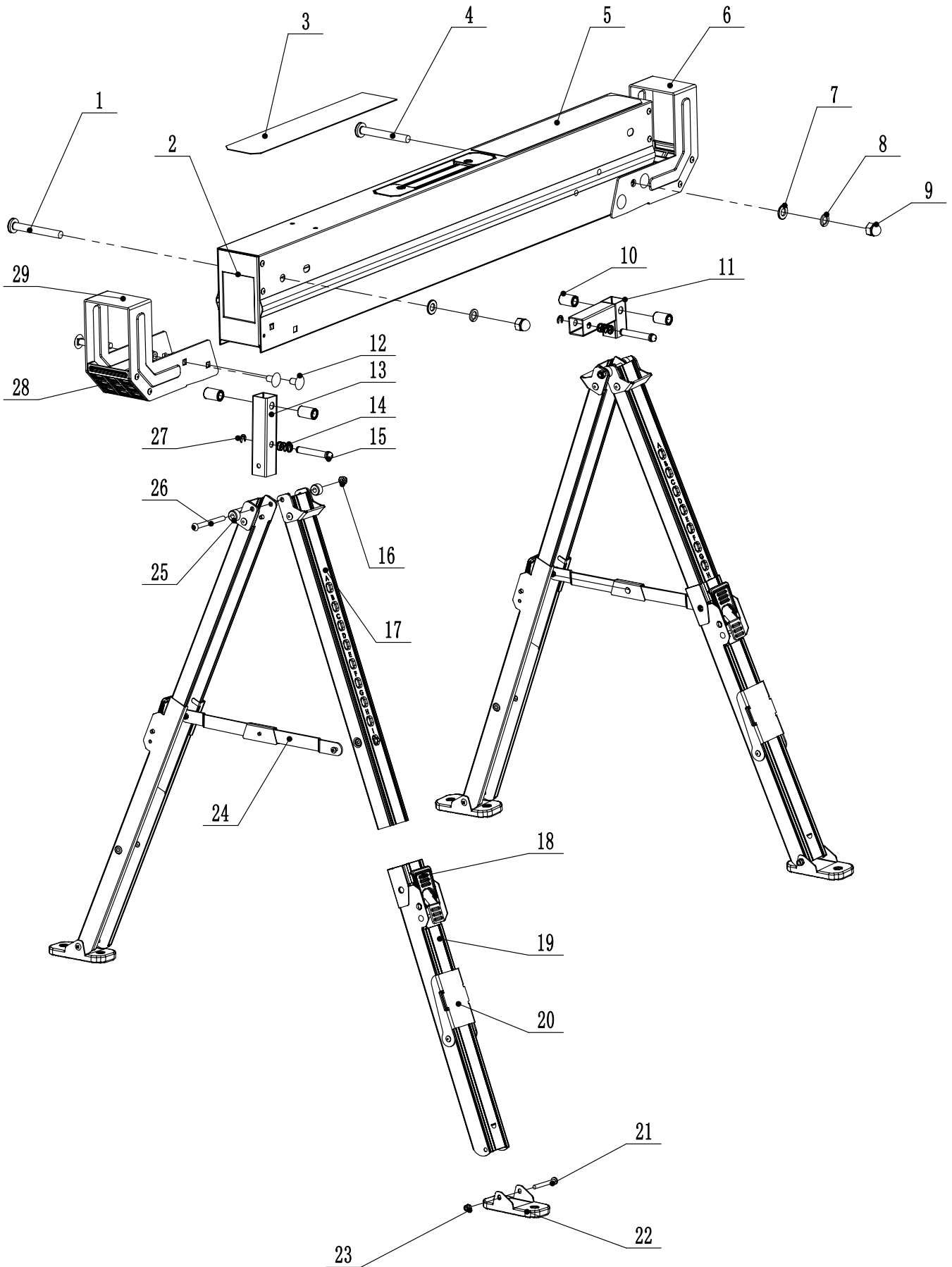
## PRODUCT DISPOSAL

Used power tools should not be disposed of together with household waste. If the product contains electronic components they should be recycled. Please take this product to your local recycling facility for responsible disposal and to minimize its environmental impact.



**Please recycle the packaging where facilities exist.**

# EXPLODED VIEW & PARTS LIST



## **EXPLODED VIEW & PARTS LIST**

| <b>NO.</b> | <b>PART NO.</b> | <b>DESCRIPTION</b>          | <b>QTY.</b> |
|------------|-----------------|-----------------------------|-------------|
| 1          | WA1300-001      | M10x88 Bolt                 | 1           |
| 2          | WA1300-002      | Side Panel                  | 2           |
| 3          | WA1300-003      | Grip Cover                  | 2           |
| 4          | WA1300-004      | M10x93 bolt                 | 1           |
| 5          | WA1300-005      | Worktop                     | 1           |
| 6          | WA1300-006      | Right Side Braket with Hole | 1           |
| 7          | WA1300-007      | Washer Ø10                  | 2           |
| 8          | WA1300-008      | Spring washer Ø10           | 2           |
| 9          | WA1300-009      | Acorn Nut M10               | 2           |
| 10         | WA1300-010      | Short Shaft Spacer          | 4           |
| 11         | WA1300-011      | Elbow Support               | 1           |
| 12         | WA1300-012      | M8x12 Carriage Bolt         | 8           |
| 13         | WA1300-013      | Straight Support            | 1           |
| 14         | WA1300-014      | Spring                      | 2           |
| 15         | WA1300-015      | Positioning Pin             | 2           |
| 16         | WA1300-016      | M6 Lock Nut                 | 2           |
| 17         | WA1300-017      | Upper Leg                   | 4           |
| 18         | WA1300-018      | Height Adjust Lever         | 4           |
| 19         | WA1300-019      | Lower Leg                   | 4           |
| 20         | WA1300-020      | Workpiece Support Block     | 2           |
| 21         | WA1300-021      | M6x65 Flathead Screw        | 4           |
| 22         | WA1300-022      | Foot                        | 4           |
| 23         | WA1300-023      | M5 Lock Nut                 | 4           |
| 24         | WA1300-024      | Support Beam                | 2           |
| 25         | WA1300-025      | Spacer Sleeve               | 4           |
| 26         | WA1300-026      | M6x65 Bolt                  | 2           |
| 27         | WA1300-027      | Circlip                     | 2           |
| 28         | WA1300-028      | Bracket Cap                 | 2           |
| 29         | WA1300-029      | Left Side Bracket           | 1           |

**NOTE:** Not all parts may be available for purchase.

# **WARRANTY STATEMENT**

WEN Products is committed to building tools that are dependable for years. Our warranties are consistent with this commitment and our dedication to quality.

## **LIMITED WARRANTY OF WEN PRODUCTS FOR HOME USE**

GREAT LAKES TECHNOLOGIES, LLC (“Seller”) warrants to the original purchaser only, that all WEN consumer power tools will be free from defects in material or workmanship during personal use for a period of two (2) years from date of purchase or 500 hours of use; whichever comes first. Ninety days for all WEN products if the tool is used for professional or commercial use. Purchaser has 30 days from the date of purchase to report missing or damaged parts.

SELLER’S SOLE OBLIGATION AND YOUR EXCLUSIVE REMEDY under this Limited Warranty and, to the extent permitted by law, any warranty or condition implied by law, shall be the replacement of parts, without charge, which are defective in material or workmanship and which have not been subjected to misuse, alteration, careless handling, misrepair, abuse, neglect, normal wear and tear, improper maintenance, or other conditions adversely affecting the Product or the component of the Product, whether by accident or intentionally, by persons other than Seller. To make a claim under this Limited Warranty, you must make sure to keep a copy of your proof of purchase that clearly defines the Date of Purchase (month and year) and the Place of Purchase. Place of Purchase must be a direct vendor of Great Lakes Technologies, LLC. Purchasing through third party vendors, including but not limited to garage sales, pawn shops, resale shops, or any other secondhand merchant, voids the warranty included with this product. Contact [techsupport@wenproducts.com](mailto:techsupport@wenproducts.com) or 1-800-232-1195 with the following information to make arrangements: your shipping address, phone number, serial number, required part numbers, and proof of purchase. Damaged or defective parts and products may need to be sent to WEN before the replacements can be shipped out.

Upon the confirmation of a WEN representative, your product may qualify for repairs and service work. When returning a product for warranty service, the shipping charges must be prepaid by the purchaser. The product must be shipped in its original container (or an equivalent), properly packed to withstand the hazards of shipment. The product must be fully insured with a copy of the proof of purchase enclosed. There must also be a description of the problem in order to help our repairs department diagnose and fix the issue. Repairs will be made and the product will be returned and shipped back to the purchaser at no charge for addresses within the contiguous United States.

THIS LIMITED WARRANTY DOES NOT APPLY TO ITEMS THAT WEAR OUT FROM REGULAR USAGE OVER TIME, INCLUDING BELTS, BRUSHES, BLADES, BATTERIES, ETC. ANY IMPLIED WARRANTIES SHALL BE LIMITED IN DURATION TO TWO (2) YEARS FROM DATE OF PURCHASE. SOME STATES IN THE U.S. AND SOME CANADIAN PROVINCES DO NOT ALLOW LIMITATIONS ON HOW LONG AN IMPLIED WARRANTY LASTS, SO THE ABOVE LIMITATION MAY NOT APPLY TO YOU.

IN NO EVENT SHALL SELLER BE LIABLE FOR ANY INCIDENTAL OR CONSEQUENTIAL DAMAGES (INCLUDING BUT NOT LIMITED TO LIABILITY FOR LOSS OF PROFITS) ARISING FROM THE SALE OR USE OF THIS PRODUCT. SOME STATES IN THE U.S. AND SOME CANADIAN PROVINCES DO NOT ALLOW THE EXCLUSION OR LIMITATION OF INCIDENTAL OR CONSEQUENTIAL DAMAGES, SO THE ABOVE LIMITATION OR EXCLUSION MAY NOT APPLY TO YOU.

THIS LIMITED WARRANTY GIVES YOU SPECIFIC LEGAL RIGHTS, AND YOU MAY ALSO HAVE OTHER RIGHTS WHICH VARY FROM STATE TO STATE IN THE U.S., PROVINCE TO PROVINCE IN CANADA AND FROM COUNTRY TO COUNTRY.

THIS LIMITED WARRANTY APPLIES ONLY TO ITEMS SOLD WITHIN THE UNITED STATES OF AMERICA, CANADA AND THE COMMONWEALTH OF PUERTO RICO. FOR WARRANTY COVERAGE WITHIN OTHER COUNTRIES, CONTACT THE WEN CUSTOMER SUPPORT LINE. FOR WARRANTY PARTS OR PRODUCTS REPAIRED UNDER WARRANTY SHIPPING TO ADDRESSES OUTSIDE OF THE CONTIGUOUS UNITED STATES, ADDITIONAL SHIPPING CHARGES MAY APPLY.