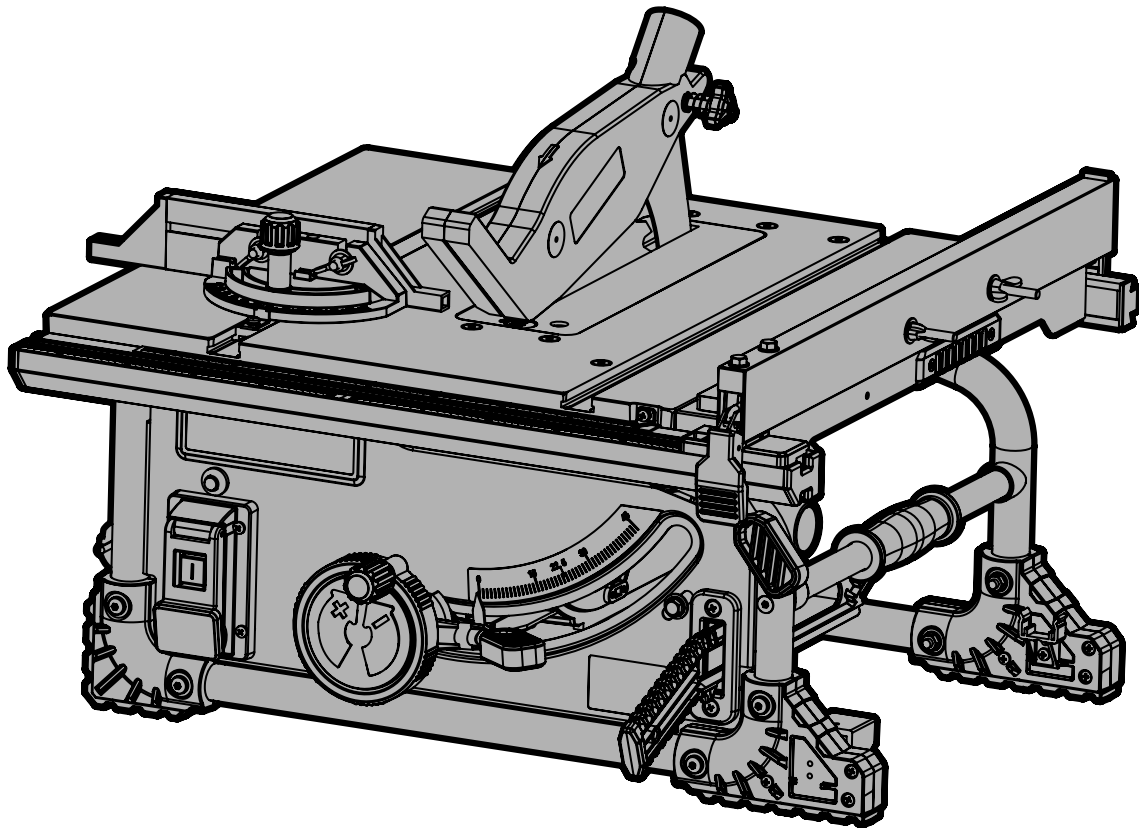




MODEL TT0811

8.25" BENCHTOP TABLE SAW

Instruction Manual



NEED HELP? CONTACT US!

Have product questions? Need technical support? Please feel free to contact us:

 **1-800-232-1195 (M-F 8AM-5PM CST)** |  **TECHSUPPORT@WENPRODUCTS.COM**

IMPORTANT: Your new tool has been engineered and manufactured to WEN's highest standards for dependability, ease of operation, and operator safety. When properly cared for, this product will supply you years of rugged, trouble-free performance. Pay close attention to the rules for safe operation, warnings, and cautions. If you use your tool properly and for its intended purpose, you will enjoy years of safe, reliable service.

For replacement parts and the most up-to-date instruction manuals, visit ***WENPRODUCTS.COM***


CONTENTS

WELCOME	3
Introduction	3
Specifications.....	3
SAFETY	4
General Safety Rules.....	4
Specific Rules for Your Table Saw.....	6
Electrical Information.....	8
BEFORE OPERATING	9
Unpacking & Packing List.....	9
Know Your Table Saw	10
Assembly & Adjustments.....	11
OPERATION & MAINTENANCE	14
Operation	14
Maintenance	17
Exploded View & Parts List.....	18
Warranty Statement	26

To purchase accessories for your tool, visit **WENPRODUCTS.COM**

INTRODUCTION

Thanks for purchasing the WEN Table Saw. We know you are excited to put your tool to work, but first, please take a moment to read through the manual. Safe operation of this tool requires that you read and understand this operator's manual and all the labels affixed to the tool. This manual provides information regarding potential safety concerns, as well as helpful assembly and operating instructions for your tool.

 **SAFETY ALERT SYMBOL:** Indicates danger, warning, or caution. The safety symbols and the explanations with them deserve your careful attention and understanding. Always follow the safety precautions to reduce the risk of fire, electric shock or personal injury. However, please note that these instructions and warnings are not substitutes for proper accident prevention measures.

NOTE: The following safety information is not meant to cover all possible conditions and situations that may occur. WEN reserves the right to change this product and specifications at any time without prior notice.


At WEN, we are continuously improving our products. If you find that your tool does not exactly match this manual, please visit wenproducts.com for the most up-to-date manual or contact our customer service at **1-800-232-1195**.

Keep this manual available to all users during the entire life of the tool and review it frequently to maximize safety for both yourself and others.

SPECIFICATIONS

Model Number	TT0811
Motor	120V, 60 Hz, 11A
No-Load Speed	4500 RPM
Blade Model Number	BL0824
Blade Size	8.25 Inches
Arbor Size	5/8 Inch
Kerf & Teeth	2.1mm, 24T
Table Size	18.4" x 18.9" x 1.6"
Cutting Range	0° to 45°
Cutting Capacity	90°: 2.75 Inches
	45°: 2 Inches
Dust Port Size	1.4 Inches (35mm)
Weight	28.9 Pounds
Product Dimensions	22 in. x 23 in. x 11-3/8 in.
	37.5" Wide Fully Extended

GENERAL SAFETY RULES

 **WARNING!** Read all safety warnings and all instructions. Failure to follow the warnings and instructions may result in electric shock, fire and/or serious injury.

Safety is a combination of common sense, staying alert and knowing how your item works. The term “power tool” in the warnings refers to your mains-operated (corded) power tool or battery-operated (cordless) power tool.

SAVE THESE SAFETY INSTRUCTIONS.

WORK AREA SAFETY

- 1. Keep work area clean and well lit.** Cluttered or dark areas invite accidents.
- 2. Do not operate power tools in explosive atmospheres, such as in the presence of flammable liquids, gases or dust.** Power tools create sparks which may ignite the dust or fumes.
- 3. Keep children and bystanders away while operating a power tool.** Distractions can cause you to lose control.

ELECTRICAL SAFETY


- 1. Power tool plugs must match the outlet. Never modify the plug in any way. Do not use any adapter plugs with earthed (grounded) power tools.** Unmodified plugs and matching outlets will reduce risk of electric shock.
- 2. Avoid body contact with earthed or grounded surfaces such as pipes, radiators, ranges and refrigerators.** There is an increased risk of electric shock if your body is earthed or grounded.
- 3. Do not expose power tools to rain or wet conditions.** Water entering a power tool will increase the risk of electric shock.
- 4. Do not abuse the cord. Never use the cord for carrying, pulling or unplugging the power tool. Keep cord away from heat, oil, sharp edges or moving parts.** Damaged or entangled cords increase the risk of electric shock.
- 5. When operating a power tool outdoors, use an extension cord suitable for outdoor use.** Use of a cord suitable for outdoor use reduces the risk of electric shock.

6. If operating a power tool in a damp location is unavoidable, use a ground fault circuit interrupter (GFCI) protected supply. Use of a GFCI reduces the risk of electric shock.

PERSONAL SAFETY

- 1. Stay alert, watch what you are doing and use common sense when operating a power tool. Do not use a power tool while you are tired or under the influence of drugs, alcohol or medication.** A moment of inattention while operating power tools may result in serious personal injury.
- 2. Use personal protective equipment. Always wear eye protection.** Protective equipment such as a respiratory mask, non-skid safety shoes and hearing protection used for appropriate conditions will reduce the risk of personal injury.
- 3. Prevent unintentional starting. Ensure the switch is in the off-position before connecting to power source and/or battery pack, picking up or carrying the tool.** Carrying power tools with your finger on the switch or energizing power tools that have the switch on invites accidents.
- 4. Remove any adjusting key or wrench before turning the power tool on.** A wrench or a key left attached to a rotating part of the power tool may result in personal injury.
- 5. Do not overreach. Keep proper footing and balance at all times.** This enables better control of the power tool in unexpected situations.
- 6. Dress properly. Do not wear loose clothing or jewelry. Keep your hair and clothing away from moving parts.** Loose clothes, jewelry or long hair can be caught in moving parts.

GENERAL SAFETY RULES

 **WARNING!** Read all safety warnings and all instructions. Failure to follow the warnings and instructions may result in electric shock, fire and/or serious injury.

Safety is a combination of common sense, staying alert and knowing how your item works. The term “power tool” in the warnings refers to your mains-operated (corded) power tool or battery-operated (cordless) power tool.

SAVE THESE SAFETY INSTRUCTIONS.

7. If devices are provided for the connection of dust extraction and collection facilities, ensure these are connected and properly used. Use of dust collection can reduce dust-related hazards.

POWER TOOL USE AND CARE

1. Do not force the power tool. Use the correct power tool for your application. The correct power tool will do the job better and safer at the rate for which it was designed.

2. Do not use the power tool if the switch does not turn it on and off. Any power tool that cannot be controlled with the switch is dangerous and must be repaired.

3. Disconnect the plug from the power source and/or the battery pack from the power tool before making any adjustments, changing accessories, or storing power tools. Such preventive safety measures reduce the risk of starting the power tool accidentally.

4. Store idle power tools out of the reach of children and do not allow persons unfamiliar with the power tool or these instructions to operate the power tool. Power tools are dangerous in the hands of untrained users.

5. Maintain power tools. Check for misalignment or binding of moving parts, breakage of parts and any other condition that may affect the power tool's operation. If damaged, have the power tool repaired before use. Many accidents are caused by poorly maintained power tools.

6. Keep cutting tools sharp and clean. Properly maintained cutting tools with sharp cutting edges are less likely to bind and are easier to control.

7. Use the power tool, accessories and tool bits, etc. in accordance with these instructions, taking into account the working conditions and the work to be performed. Use of the power tool for operations different from those intended could result in a hazardous situation.

8. Use clamps to secure your workpiece to a stable surface. Holding a workpiece by hand or using your body to support it may lead to loss of control.

9. KEEP GUARDS IN PLACE and in working order.

SERVICE

1. Have your power tool serviced by a qualified repair person using only identical replacement parts. This will ensure that the safety of the power tool is maintained.


CALIFORNIA PROPOSITION 65 WARNING

Some dust created by power sanding, sawing, grinding, drilling, and other construction activities may contain chemicals, including lead, known to the State of California to cause cancer, birth defects, or other reproductive harm. Wash hands after handling. Some examples of these chemicals are:

- Lead from lead-based paints.
- Crystalline silica from bricks, cement, and other masonry products.
- Arsenic and chromium from chemically treated lumber.

Your risk from these exposures varies depending on how often you do this type of work. To reduce your exposure to these chemicals, work in a well-ventilated area with approved safety equipment such as dust masks specially designed to filter out microscopic particles.

SPECIFIC RULES FOR YOUR TABLE SAW

 **WARNING!** Do not operate the power tool until you have read and understood the following instructions and the warning labels.

SAW BLADE SAFETY

1. Always wear protective gloves when handling saw blades.
2. Only use blades with correct size and type for both your table saw and your workpiece.
 - The rated diameter of the saw blade is 8.25 inches with a 5/8 inch arbor.
 - The no-load speed of the table saw is 4500 RPM. The maximum permissible speed of your saw blade should always be higher than the no-load rotational speed of the saw.
3. Never use damaged or deformed saw blades. Only use sharp blades.
4. Install the saw blade in the correct orientation indicated in the instructions.
5. Keep hands out of path of saw blade. Never use your hands to remove sawdust, chips or workpiece near the saw blade or the cutting path of the saw.
6. Never reach around saw blade or reach in back of the saw blade.
7. Do not use blades made from high-speed steel, abrasive blades, metal-cutting blades or masonry-cutting blades. The guards of this saw are not designed to protect against the failure of such blades.
8. The use of accessories or attachments not recommended by the manufacturer may result in a risk of personal injury.

PERSONAL SAFETY

1. Operate in a well ventilated area. Keep the floor area around the table saw level and free of slippery substances or other tripping hazards.
2. Wear ANSI-approved safety goggles to protect your eyes from sparks and sawdust. Use hearing protection to protect yourself from hearing loss.
3. People with pacemakers should consult their physician(s) before use. Electromagnetic fields in close proximity to pacemakers could cause pacemaker interference or pacemaker failure.
4. Wear work gloves when handling saw blades. DO NOT wear gloves while operating the saw.
5. Sawdust is harmful to your health. Use NIOSH-approved dust masks or other respiratory protection during operation and cleaning.
6. Always turn off and unplug the table saw before making any adjustments or repair tasks. Never adjust the table saw or the workpiece while the saw is running.
7. Never use damaged or incorrect blade flanges or bolt. The blade flanges and bolt were specially designed for your saw, for optimum performance and safety of operation.
8. Do not use to cut metal, logs, tree limbs, or uneven lumber. Inspect the workpiece and remove all nails and other embedded objects prior to starting work.
9. Wet lumber, green (unseasoned) lumber, and pressure treated lumber all have an increased potential for kickback and should only be cut with a blade specifically designed for that lumber type. Wear a NIOSH-approved respirator and have appropriate ventilation whenever cutting pressure treated lumber.

SPECIFIC RULES FOR YOUR TABLE SAW


 **WARNING!** Do not operate the power tool until you have read and understood the following instructions and the warning labels.

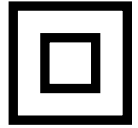
TABLE SAW SAFETY

1. Examine the table saw for any damaged or missing parts. Replace or repair damaged parts before operation. Periodically check that all nuts, bolts and other fasteners are properly tightened.
2. Never hand-hold a workpiece that is too small to be clamped, as it can be launched away and cause injury. Use proper support and guides to secure the small workpiece.
3. Always stand to one side when operating the saw. Never have any part of the body in line with the path of the saw. Never hold a workpiece in your hand or across your legs while cutting.
4. Ensure hands are away from the cutting area and blade. Keep one hand on the operating handle, and the other out away from the blade and its path.
5. Feed work into the blade against the direction of rotation of the blade only.
6. If you are interrupted when operating the saw, complete the process and switch the saw off before looking up.
7. Power tools must always be held by the insulated gripping surfaces when performing an operation, ensuring protection if the cutting tool makes contact with its own cord or hidden wiring. Contact with a 'live' wire will make exposed metal parts of the power tool 'live' and shock the operator if the insulated gripping surfaces are not used.
7. Do not use the table saw unless all guards are in place. Do not operate with any guard disabled, damaged, or removed. Moving guards must move freely and close instantly.
8. Turn on the table saw and let it reach full speed, then slowly slide the saw into the workpiece. This will help produce safer and cleaner cuts.
9. Never cut more than one piece at a time. Do not stack workpieces together. Do not attempt to cut material thicker than specified in this manual.

ELECTRICAL INFORMATION

DOUBLE-INSULATED TOOLS

The tool's electrical system is double-insulated where two systems of insulation are provided. This eliminates the need for the usual three-wire grounded power cord. Double-insulated tools do not need to be grounded, nor should a means for grounding be added to the product. All exposed metal parts are isolated from the internal metal motor components with protecting insulation.



IMPORTANT: Servicing a double-insulated product requires extreme care and knowledge of the system, and should be done only by qualified service personnel using identical replacement parts. Always use original factory replacement parts when servicing.

1. Polarized Plugs. To reduce the risk of electric shock, this equipment has a polarized plug (one blade is wider than the other). This plug will fit in a polarized outlet only one way. If the plug does not fit fully in the outlet, reverse the plug. If it still does not fit, contact a qualified electrician to install a proper outlet. Do not modify the machine plug or the extension cord in any way.

2. Ground fault circuit interrupter protection (GFCI) should be provided on the circuit or outlet used for this power tool to reduce the risk of electric shock.

3. Service and repair. To avoid danger, electrical appliances must only be repaired by a qualified service technician using original replacement parts.

GUIDELINES AND RECOMMENDATIONS FOR EXTENSION CORDS

When using an extension cord, be sure to use one heavy enough to carry the current your product will draw. An undersized cord will cause a drop in line voltage, resulting in loss of power and overheating. The table below shows the correct size to be used according to cord length and ampere rating. When in doubt, use a heavier cord. The smaller the gauge number, the heavier the cord.

AMPERAGE	REQUIRED GAUGE FOR EXTENSION CORDS			
	25 ft.	50 ft.	100 ft.	150 ft.
11A	16 gauge	16 gauge	14 gauge	12 gauge

1. Examine extension cord before use. Make sure your extension cord is properly wired and in good condition. Always replace a damaged extension cord or have it repaired by a qualified person before using it.

2. Do not abuse extension cord. Do not pull on cord to disconnect from receptacle; always disconnect by pulling on plug. Disconnect the extension cord from the receptacle before disconnecting the product from the extension cord. Protect your extension cords from sharp objects, excessive heat and damp/wet areas.

3. Use a separate electrical circuit for your tool. This circuit must not be less than a 12-gauge wire and should be protected with a 15A time-delayed fuse. Before connecting the motor to the power line, make sure the switch is in the OFF position and the electric current is rated the same as the current stamped on the motor nameplate. Running at a lower voltage will damage the motor.

UNPACKING & PACKING LIST

⚠ WARNING! Do not plug in or turn on the tool until it is fully assembled according to the instructions. Failure to follow the safety instructions may result in serious personal injury.

UNPACKING

With the help of a friend or trustworthy foe, carefully remove the table saw from the packaging. Make sure to take out all contents and accessories. Do not discard the packaging until everything is removed. Check the packing list below to make sure you have all of the parts and accessories. If any part is missing or broken, please contact our customer service at **1-800-232-1195** (M-F 8-5 CST), or email **techsupport@wenproducts.com**.

PACKING LIST

Components

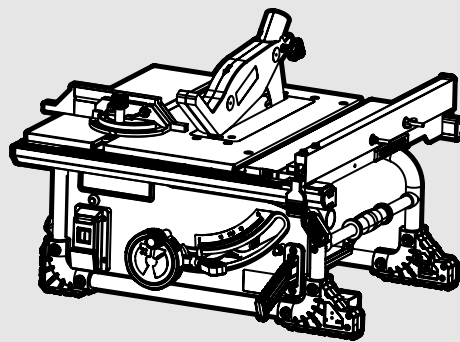
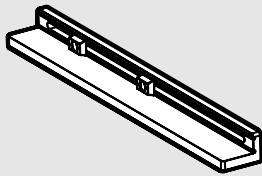


Table Saw (1)

Accessories & Tools



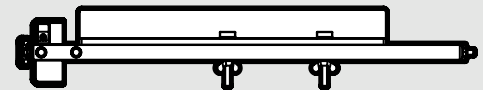
Auxiliary Fence (1)



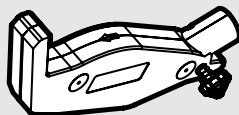
Riving Knife (1)



Dust Port Adaptor (1)



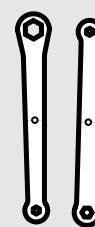
Rip Fence (1)



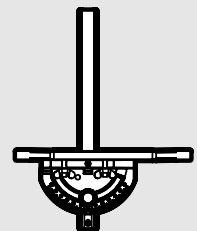
Blade Guard (1)



Push Stick (1)



Hex Wrenches (2)

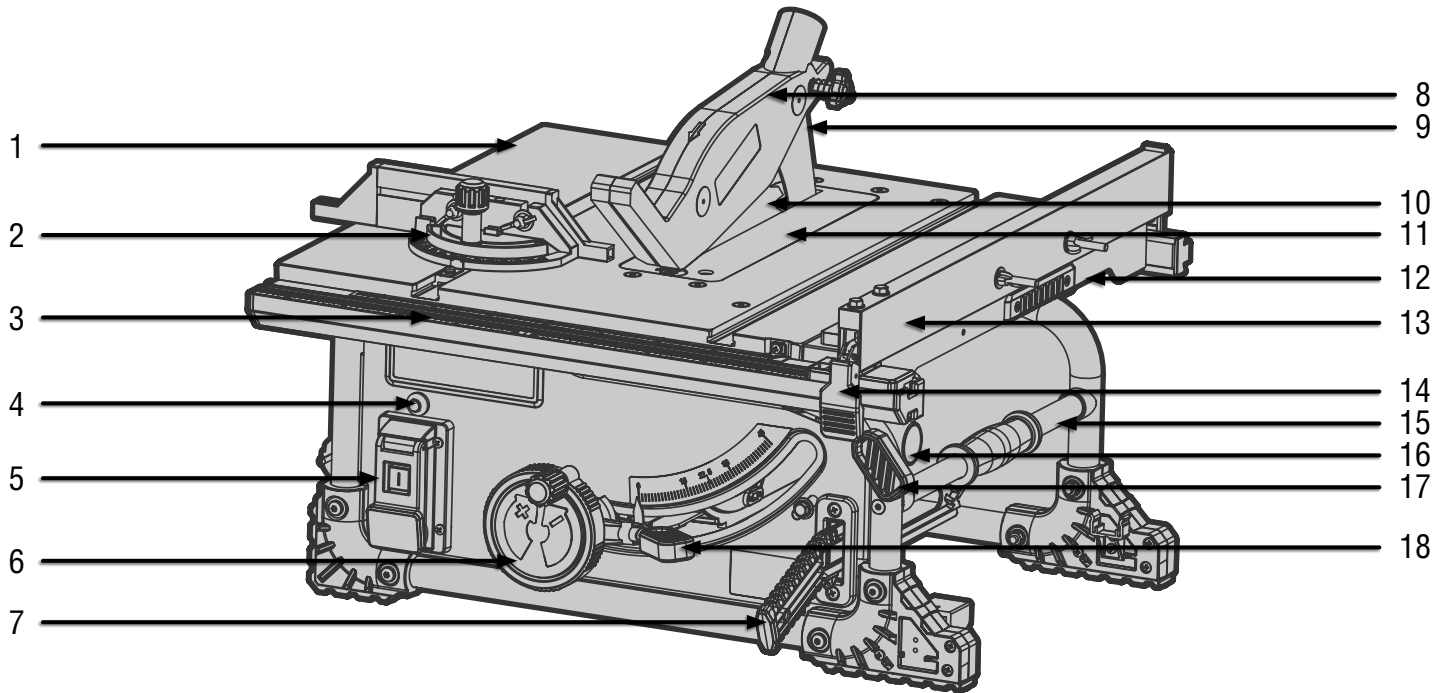


Miter Gauge (1)

KNOW YOUR TABLE SAW

TOOL PURPOSE

Make smooth, straight cuts easily with your WEN Table Saw. Refer to the following diagrams to become familiarized with all the parts and controls of your table saw. The components will be referred to later in the manual for assembly and operation instructions.



- | | | |
|----------------------------|---------------------|--------------------------------|
| 1. Worktable | 7. Push Stick | 13. Rip Fence |
| 2. Miter Guide | 8. Blade Guard | 14. Rip Fence Lock |
| 3. Level Scale | 9. Riving Knife | 15. Carrying Handle |
| 4. Reset | 10. Saw Blade | 16. Dust Port |
| 5. Power Switch | 11. Table Insert | 17. Extension Table Lock Lever |
| 6. Height Adjustment Wheel | 12. Extension Table | 18. Beveling Locking Lever |

ASSEMBLY & ADJUSTMENTS

⚠ WARNING! Do not plug in or turn on the tool until it is fully assembled according to the instructions. Read through and become familiarized with the following procedures of handling and adjusting your tool. Failure to follow the safety instructions may result in serious personal injury.

INSTALLING THE BLADE GUARD

1. Raise the saw blade by turning the height adjustment wheel (Fig. 1 - 1) clockwise.
2. Place the riving knife (Fig. 1 - 2) in the "UP" position.
3. Mount the blade guard (Fig. 1 - 3) by using the bolt (Fig. 1 - 4) on top of the riving knife. Make sure that the bolt is firmly fastened in the hole of the riving knife.

NOTE: Do not over tighten the screw. The blade guard should be able to move freely.

4. To remove the blade guard, perform the above steps in the reverse order.

CAUTION! The blade guard must be lowered onto the workpiece before starting a cut.

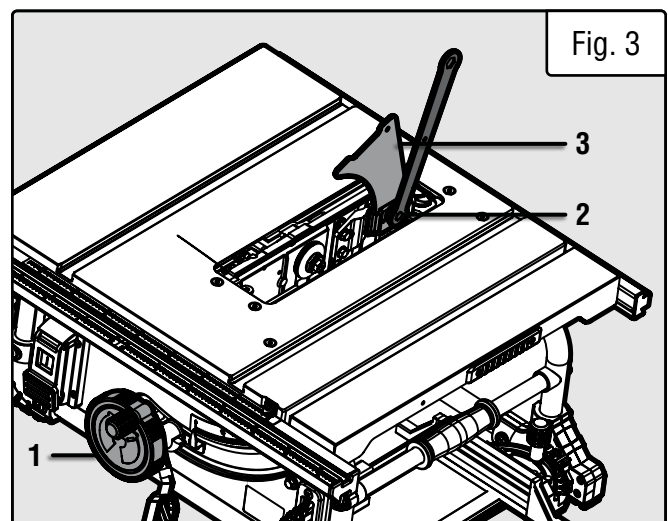
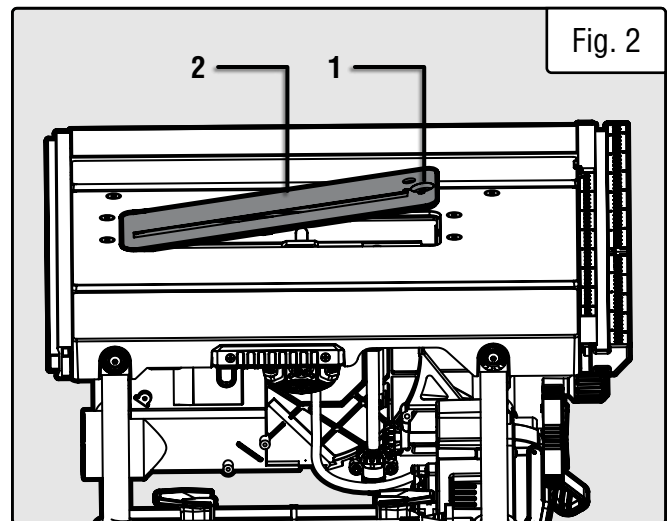
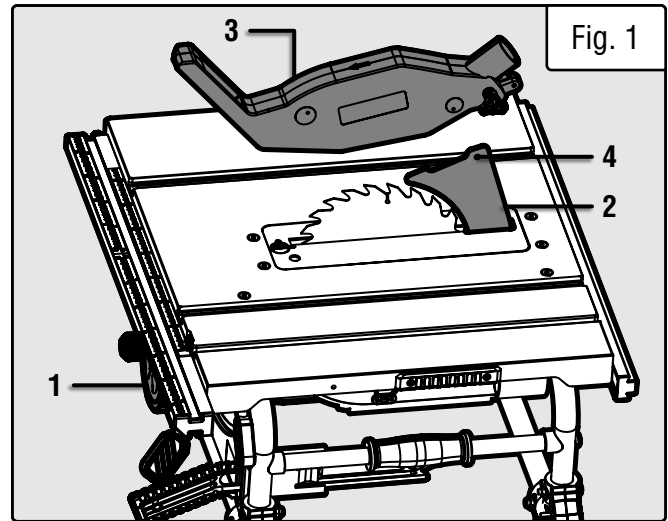
REMOVING & REPLACING THE TABLE INSERT

1. Remove the blade guard. See "INSTALLING THE BLADE GUARD" section above.
2. Lower the blade by turning the height adjustment wheel counterclockwise.
3. Turn the insert locking knob (Fig. 2 - 1) to the unlocked position and remove the worn table insert (Fig. 2 - 2).
4. Insert the replacement and turn the insert locking knob to the locked position. Raise the blade and reinstall the blade guard.

POSITIONING THE RIVING KNIFE

1. Set the blade to the maximum cutting depth, move to the 0° position, and lock in place using the blade height adjustment wheel (Fig. 3 - 1).
2. Remove the blade guard and take out the table insert. See directions above.
3. Loosen the screw (Fig. 3 - 2) and position the riving knife (Fig. 3 - 3). Make sure that riving knife does not come in contact with the saw blade. Tighten the screw once in position.

NOTE: The distance between the saw blade and the riving knife should be between 3mm and 5mm.



ASSEMBLY & ADJUSTMENTS

ADJUSTING THE EXTENSION TABLE

The extension table gives you the ability to increase the length of the table for greater ripping capacity.

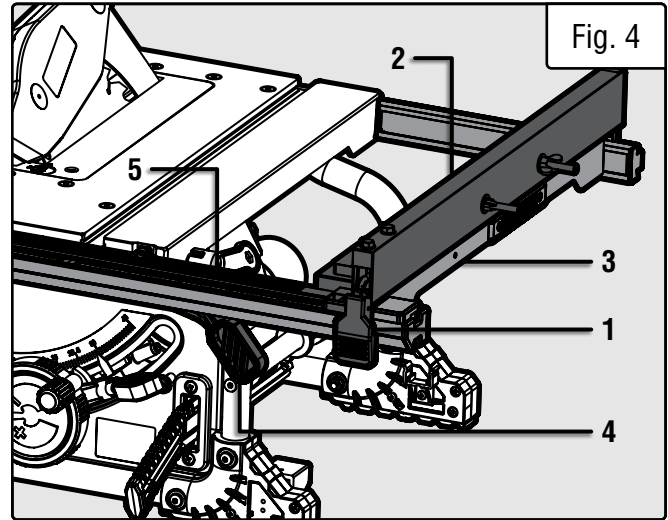
To use the extension table:

1. Flip the rip fence lock (Fig. 4 - 1) up to unlock the rip fence (Fig. 4 - 2) and remove it from the table.
2. Unlock the extension table (Fig. 4 - 3) by pushing back on the extension table lock lever (Fig. 4 - 4).

3. Slide the extension table to the desired width and push forward on the extension table lock lever to secure it in place.

NOTE: Use the level scale (Fig. 4 - 5) on the front rail when a specific width is desired.

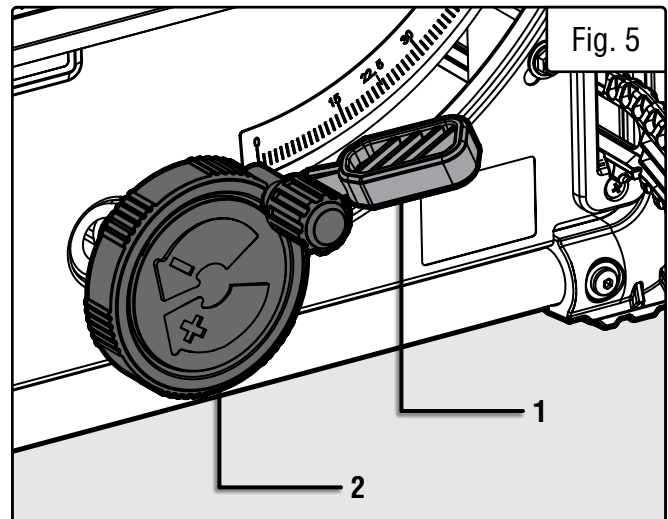
4. Reinstall the rip fence and lock in place using the rip fence lock.



CHANGING THE BLADE DEPTH

NOTE: The blade depth should be set so that the outer points of the blade are higher than the workpiece by approximately 1/8 to 1/4 inches. The lowest points (gullets) should be below the top surface.

1. Tighten the bevel locking lever (Fig. 5 - 1) by turning it clockwise.
2. Raise the blade by turning the height adjustment wheel (Fig. 5 - 2) clockwise or lower it by turning the wheel counterclockwise.



CHANGING THE BLADE ANGLE

NOTE: This table saw allows you to make angled cuts from 90° to 45°. A 90° cut has a 0° bevel and a 45° cut has a 45° bevel.

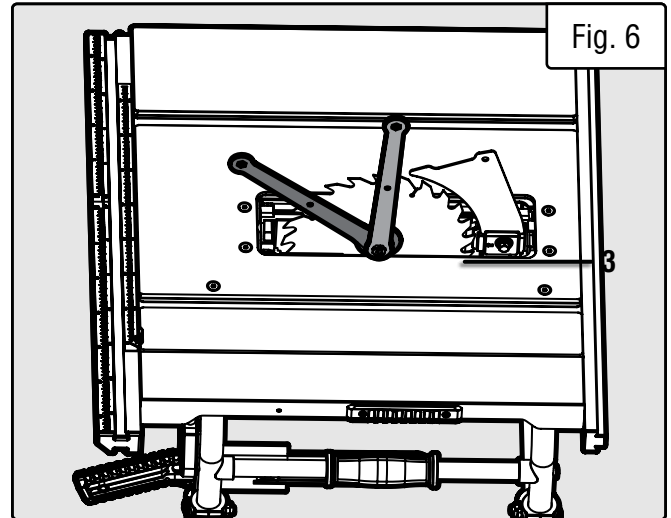
Adjusting the blade angle:

1. Loosen the bevel locking lever (Fig. 5 - 1) counterclockwise.
2. Move the height adjustment wheel (Fig. 5 - 2) to bevel 0-45° angles and tighten the bevel locking knob clockwise.

ASSEMBLY & ADJUSTMENTS

REPLACING THE BLADE

1. Remove the blade guard.
2. Lower the saw blade using the height adjustment wheel and remove the table insert. See "REMOVING & REPLACING THE TABLE INSERT" section on page 11.
3. Make sure the bevel locking lever is locked.
4. Raise the saw blade to full height using the height adjustment wheel.
5. Using one of the hex wrenches, clamp it over the blade washer. Using the other hex wrench, clamp it over the blade nut.
6. Firmly grip both of the hex wrenches and loosen the blade washer and nut by rotating the wrenches in opposite directions at the same time. The wrench on the washer should be rotated clockwise and the wrench on the nut should be rotated counterclockwise (Fig. 6).
7. Unlock the release locking lever and remove the blade.

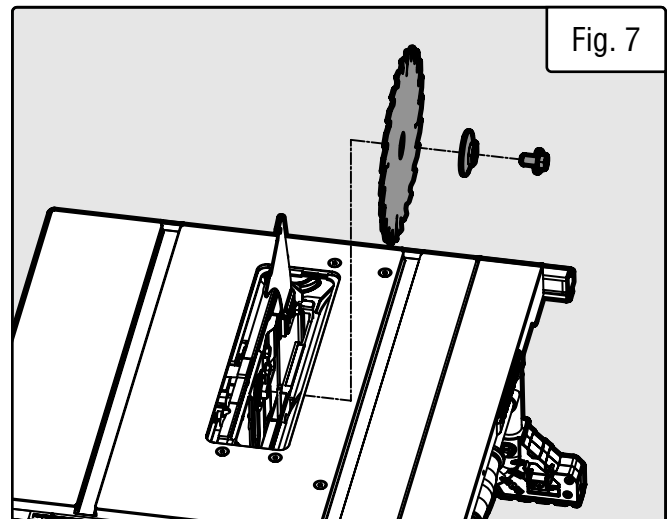


INSTALLING A STANDARD BLADE

1. Place the new blade on the arbor shaft.

IMPORTANT! The teeth must be pointing down towards the front of the saw to work properly.

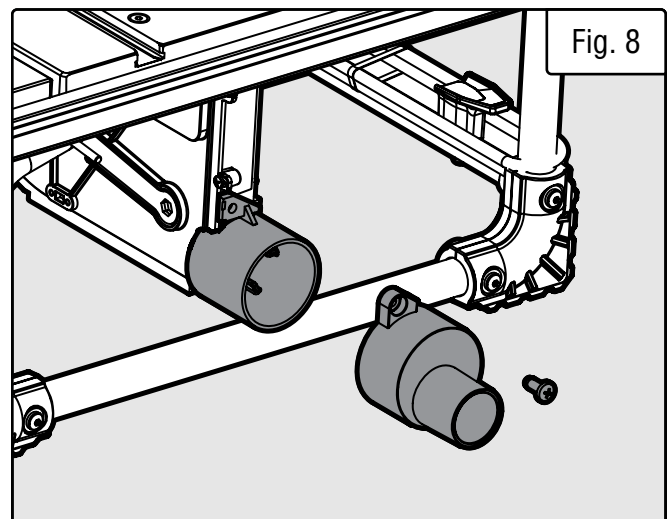
2. Place the blade washer and the blade nut over the arbor shaft (Fig. 7). Make sure that the dome side of the blade washer faces the blade and that everything is snug against the arbor housing. Make sure that the blade nut is securely tightened. Be sure not to over-tighten the blade nut.



3. Rotate the blade by hand to make sure it turns freely.
4. Lower the saw blade using the height adjustment wheel and reinstall the table insert. See "REMOVING & REPLACING THE TABLE INSERT" section on page 11.

INSTALLING THE DUST PORT ADAPTOR

1. Fit the dust port adaptor over the dust port on the back of the table saw.
2. Secure the dust port adapter in place by screwing it into the notch on the dust port (Fig. 8).



Once you have completed all of the assembly instructions, you are ready to operate your saw.

OPERATION

⚠ WARNING! Do not plug in or turn on the tool until it is fully assembled according to the instructions. Read through and become familiarized with the following procedures of handling and adjusting your tool. Failure to follow the safety instructions may result in serious personal injury.

⚠ WARNING! Before operating the table saw, make sure to equip yourself with a dust mask, ear protection, and safety glasses for protection from possible injuries. Tie back long hair and do not wear loose clothing or jewelry. Do not wear gloves while operating the saw.

ON / OFF SWITCH

1. To turn the saw on, press the green “I” button (Fig. 9 - 1). Wait for the blade to reach maximum speed before starting a cut.
2. To turn the machine off, press the bottom of the power switch (Fig. 9 - 2). The red “O” button will depress and the machine will stop running.

RESET BUTTON

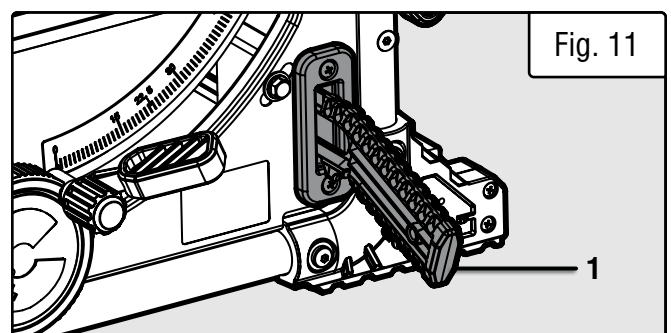
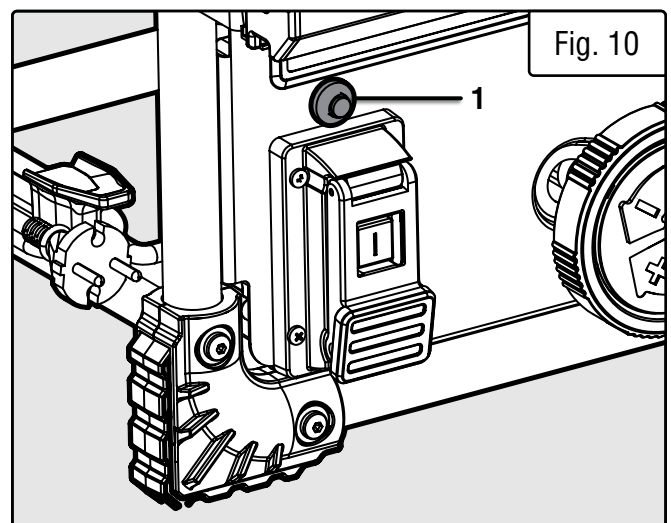
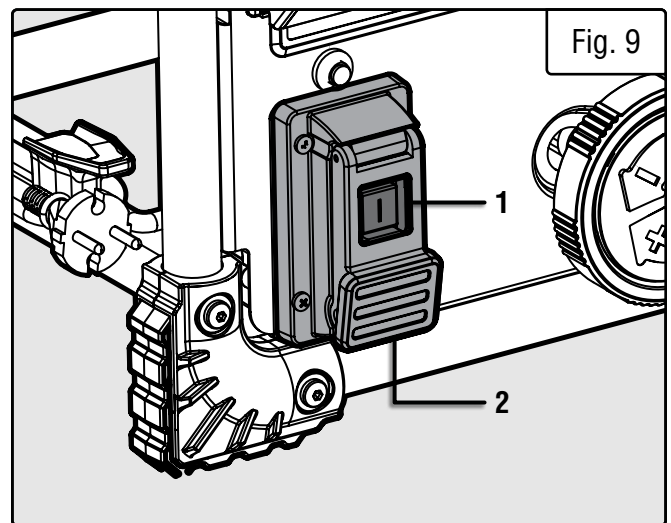
This saw comes with an overload reset button. If the motor overloads, a safety mechanism stops the motor automatically. To prevent motor over-load, reduce load on motor or check voltage.

1. Allow motor to cool down, then press the reset button (Fig. 10 - 1) and restart the saw. If the saw does not restart, wait an additional 5 minutes before restarting.

PUSH STICK

Push sticks are used to push a workpiece through the blade in any rip cut. When making non-through cuts or ripping narrow workpieces, always use a push stick, push block, and / or feather-board so your hands do not come within 3 inches of the saw blade.

The push stick is stored on the front of the table saw (Fig. 11).



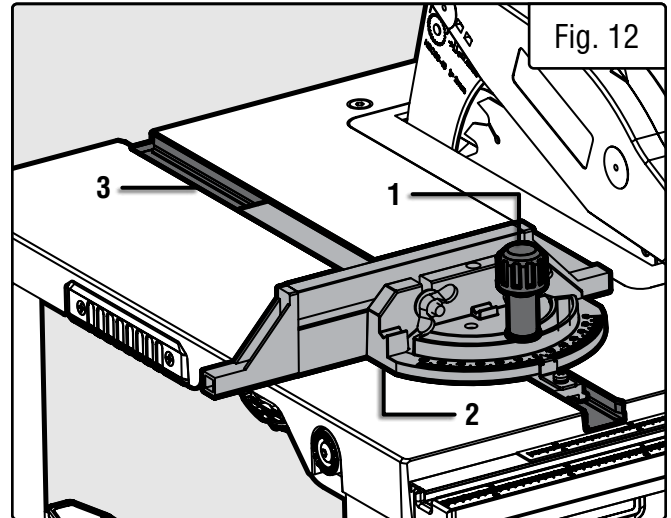
OPERATION

USING THE MITER GAUGE

The miter gauge provides greater accuracy in angled cuts. For very close tolerances, test cuts are recommended.

The miter gauge can be turned 60° to the right or left.

1. Loosen the lock knob (Fig. 12 - 1).
2. With the miter gauge (Fig. 12 - 2) in the miter gauge groove (Fig. 12 - 3), rotate the gauge until the desired angle is reached on the scale.
3. Re-tighten the lock knob.



MAKING A RIP CUT

1. Set the blade to the correct depth for the workpiece using the height adjustment wheel.
2. Position the rip fence at the desired distance from the blade for the cut and securely lock the handle. See "ADJUSTING THE EXTENSION TABLE" section on page 12.
3. Make sure the workpiece is clear of the blade before turning on the saw.
4. When ripping a long workpiece, place a support at the same height as the table surface behind the saw.
5. Turn the saw on.
6. Position the workpiece flat on the table with the edge flush against the rip fence. Let the blade build up to full speed before feeding the workpiece into the blade.
7. Once the blade has made contact with the workpiece, use the hand closest to the rip fence to guide it. Make sure the edge of the workpiece remains in solid contact with both the rip fence and the surface of the table.
8. If ripping a narrow piece, use the included push stick to move the piece through the cut and past the blade.
9. When the cut has been made, turn the saw off. Wait for the blade to come to a complete stop before removing the workpiece.

MAKING A MITER CUT

1. Remove the rip fence. See "ADJUSTING THE EXTENSION TABLE" section on page 12.
2. Set the blade to the correct depth for the workpiece using the height adjustment wheel.
3. Set the miter gauge to the desired angle and tighten the lock knob. See "USING THE MITER GAUGE" section above.
4. Make sure the workpiece is clear of the blade and turn the saw on.
5. Let the blade build up to full speed before moving the workpiece into the blade.
6. Hold the workpiece firmly with both hands on the miter gauge and feed the workpiece into the blade.

NOTE: The hand closest to the blade should be placed on the miter gauge lock knob and the hand farthest from the blade should be placed on the workpiece.

7. When the cut has been made, turn the saw off. Wait for the blade to come to a complete stop before removing the workpiece.

OPERATION

MAKING A BEVEL CROSS CUT

1. Remove the rip fence. See "ADJUSTING THE EXTENSION TABLE" section on page 12.
2. Unlock the bevel locking knob and adjust the bevel angle to the desired setting. Lock the bevel locking knob once the desired angle has been set. See "CHANGING THE BLADE ANGLE" on page 12.
3. Set the blade to the correct depth for the workpiece using the height adjustment wheel.
4. Set the miter gauge to 0° and tighten the lock knob. See "USING THE MITER GAUGE" section on page 15.
5. Make sure the workpiece is clear of the blade and turn the saw on.
6. Let the blade build up to full speed before moving the workpiece into the blade.
7. Hold the workpiece firmly with both hands on the miter gauge and feed the workpiece into the blade.

NOTE: The hand closest to the blade should be placed on the miter gauge lock knob and the hand farthest from the blade should be placed on the workpiece.

8. When the cut has been made, turn the saw off. Wait for the blade to come to a complete stop before removing the workpiece.

MAKING A COMPOUND (BEVEL & MITER) CUT


1. Remove the rip fence. See "ADJUSTING THE EXTENSION TABLE" section on page 12.
2. Unlock the bevel locking knob and adjust the bevel angle to the desired setting. Lock the bevel locking knob once the desired angle has been set. See "CHANGING THE BLADE ANGLE" on page 12.
3. Set the blade to the correct depth for the workpiece using the height adjustment wheel.
4. Set the miter gauge to the desired angle and tighten the lock knob. See "USING THE MITER GAUGE" section on page 15.
5. Make sure the workpiece is clear of the blade and turn the saw on.
6. Let the blade build up to full speed before moving the workpiece into the blade.
7. Hold the workpiece firmly with both hands on the miter gauge and feed the workpiece into the blade.

NOTE: The hand closest to the blade should be placed on the miter gauge lock knob and the hand farthest from the blade should be placed on the workpiece.

8. When the cut has been made, turn the saw off. Wait for the blade to come to a complete stop before removing the workpiece.

MAINTENANCE

 **WARNING!** To avoid accidents, turn OFF and unplug the tool from the electrical outlet before cleaning, adjusting, or performing any maintenance work.

 **WARNING!** Any attempt to repair or replace electrical parts on this tool may be hazardous. Servicing of the tool must be performed by a qualified technician. When servicing, use only identical WEN replacement parts. Use of other parts may be hazardous or induce product failure.

ROUTINE INSPECTION

Before each use, inspect the general condition of the tool. If any of these following conditions exist, do not use until parts are replaced or the sharpener is properly repaired.

Check for:

- Loose hardware,
- Misalignment or binding of moving parts,
- Damaged cord/electrical wiring,
- Cracked or broken parts, and
- Any other condition that may affect its safe operation

CLEANING & STORAGE

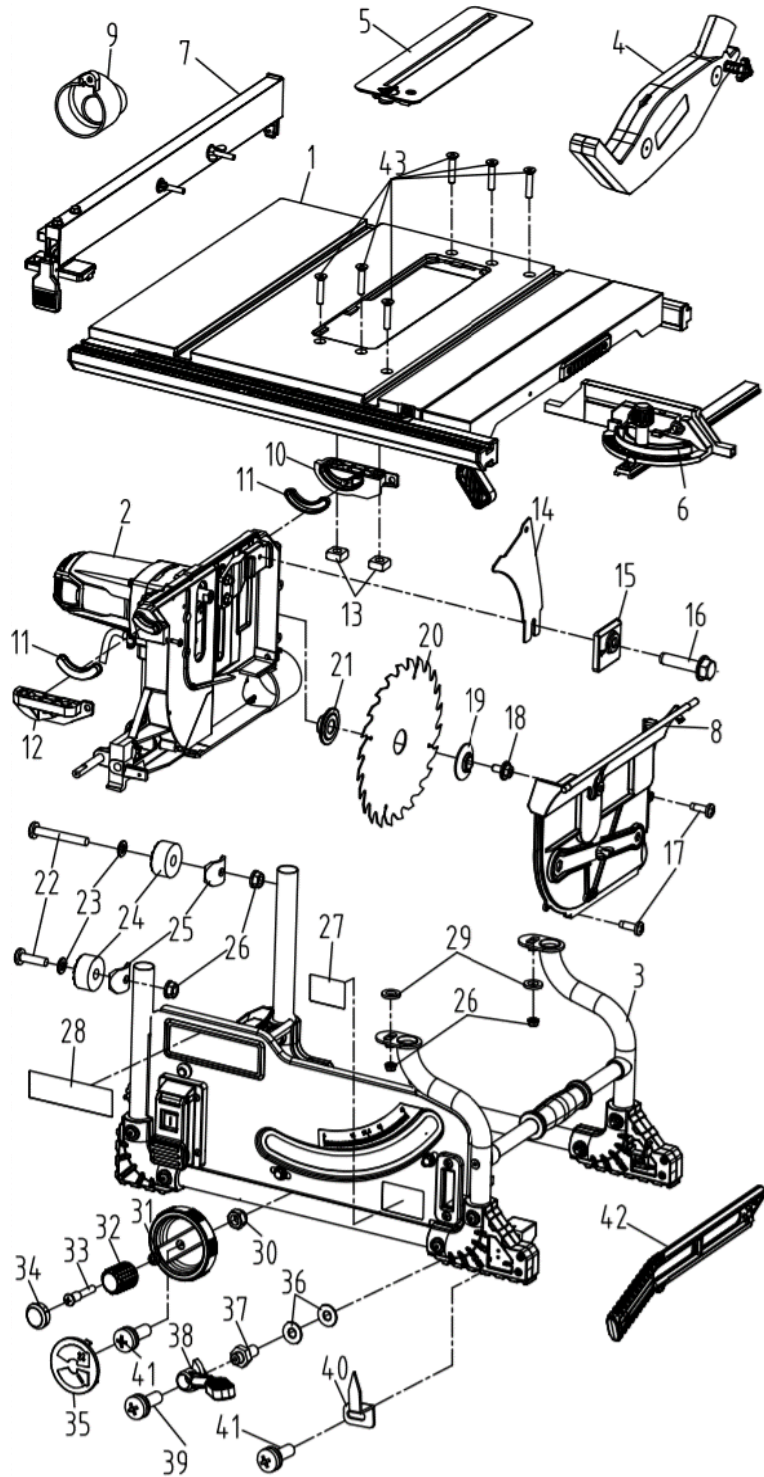
1. Keep the ventilation openings free from dust and debris to prevent the motor from overheating.
2. Wipe the tool surfaces clean with a clean cloth. Make sure water does not get into the tool.
3. Store the tool in a clean and dry place away from the reach of children. Store in temperatures between 41° to 86°F.
4. Cover the miter saw in order to protect it from dust and moisture. It is preferable to store it in its original packaging with the instruction manual.

CAUTION: Most plastics are susceptible to damage from various types of commercial solvents. Do not use any solvents or cleaning products that could damage the plastic parts. Some of these include but are not limited to: gasoline, carbon tetrachloride, chlorinated cleaning solvents, and household detergents that contain ammonia.

PRODUCT DISPOSAL

Used power tools should not be disposed of together with household waste. This product contains electronic components that should be recycled. Please take this product to your local recycling facility for responsible disposal and to minimize its environmental impact.

EXPLODED VIEW & PARTS LIST



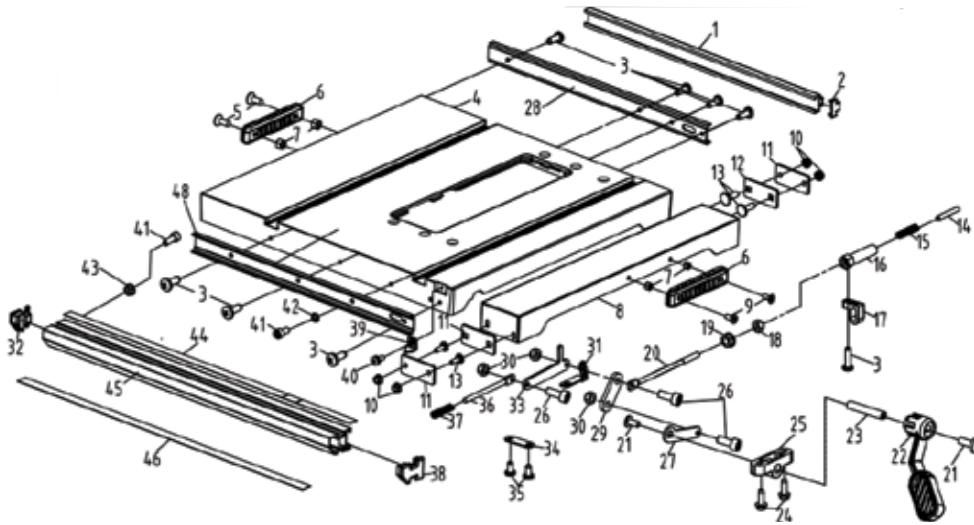
NOTE: Not all parts may be available for purchase. Parts and accessories that wear down over the course of normal use are not covered under the warranty.

EXPLODED VIEW & PARTS LIST

No.	Part No.	Description	Qty.	No.	Part No.	Description	Qty.
0-01	TT0811-001	Working table assembly	1	0-23	TT0811-023	Washer	2
0-02	TT0811-002	Motor assembly	1	0-24	TT0811-024	Anti-collision block	2
0-03	TT0811-003	Base assembly	1	0-25	TT0811-025	bending Washer	2
0-04	TT0811-004	Blade guard assembly	1	0-26	TT0811-026	Lock nut M6	4
0-05	TT0811-005	Table insert assembly	1	0-27	TT0811-027	Data label	1
0-06	TT0811-006	Miter gauge assembly	1	0-28	TT0811-028	Logo	1
0-07	TT0811-007	Rip fence assembly	1	0-29	TT0811-029	T-Washer	2
0-08	TT0811-008	Lower blade guard assembly	1	0-30	TT0811-030	Lock nut M6	1
0-09	TT0811-009	Dutst port	1	0-31	TT0811-031	Bevel crank wheel	1
0-10	TT0811-010	Rear mount block	1	0-32	TT0811-032	Knob	1
0-11	TT0811-011	bushing	2	0-33	TT0811-033	Screws M6	1
0-12	TT0811-012	Front mount block	1	0-34	TT0811-034	End cap	1
0-13	TT0811-013	Hex nut M6	2	0-35	TT0811-035	Bevel crank wheel end cap	1
0-14	TT0811-014	Riving knife	1	0-36	TT0811-036	Washer	2
0-15	TT0811-015	Clamping plate	1	0-37	TT0811-037	Screws M12	1
0-16	TT0811-016	Hex screw M6x18	1	0-38	TT0811-038	Bevel lock handle	1
0-17	TT0811-017	Screws M4x12	3	0-39	TT0811-039	Cross head screws M5x12	1
0-18	TT0811-018	Hex screw M8x16	1	0-40	TT0811-040	Bevel indicator	1
0-19	TT0811-019	Outter flange	1	0-41	TT0811-041	Cross head screws M4x12	2
0-20	TT0811-020	Saw blade	1	0-42	TT0811-042	Push stick	1
0-21	TT0811-021	Inner flange	1	0-43	TT0811-043	Screws M6x30	6
0-22	TT0811-022	Sockets M6x40	1				

NOTE: Not all parts may be available for purchase. Parts and accessories that wear down over the course of normal use are not covered under the warranty.

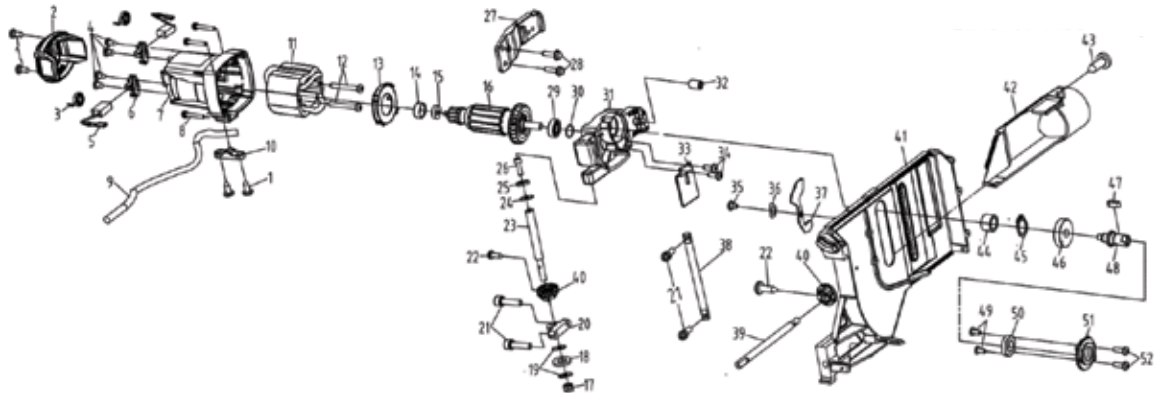
EXPLODED VIEW & PARTS LIST



WORK TABLE ASSEMBLY

No.	Part No.	Description	Qty.	No.	Part No.	Description	Qty.
1-01	TT0811-101	Rear rail	1	1-23	TT0811-123	Pin	1
1-02	TT0811-102	Rear rail end cap	1	1-24	TT0811-124	Hex screws M6x18	2
1-03	TT0811-103	Cross head screws M5x16	8	1-25	TT0811-125	Extension Table Locking Block	1
1-04	TT0811-104	Table	1	1-26	TT0811-126	Socket screws M5x14	3
1-05	TT0811-105	Cross head screws M4x12	2	1-27	TT0811-127	Small link	1
1-06	TT0811-106	Carry handle	2	1-28	TT0811-128	Slide rail	2
1-07	TT0811-107	Hex nut M4	4	1-29	TT0811-129	Connect block	1
1-08	TT0811-108	Extension table	1	1-30	TT0811-130	Lock nut M5	3
1-09	TT0811-109	Cross head screws M4x12	2	1-31	TT0811-131	Stop plate	1
1-10	TT0811-110	Hex nut M6	4	1-32	TT0811-132	Front rail end cap	1
1-11	TT0811-111	Lock palte A	2	1-33	TT0811-133	Small link	1
1-12	TT0811-112	Lock palte B	2	1-34	TT0811-134	Press plate	1
1-13	TT0811-113	Carriage bolt M6x16	4	1-35	TT0811-135	Screws M4x12	2
1-14	TT0811-114	Middle rod	1	1-36	TT0811-136	Front clamping rod	1
1-15	TT0811-115	Spring	2	1-37	TT0811-137	Spring	1
1-16	TT0811-116	Hex bolt	1	1-38	TT0811-138	End cap (right)	1
1-17	TT0811-117	Rod holder	1	1-39	TT0811-139	indicator	1
1-18	TT0811-118	Hex nut M6	1	1-40	TT0811-140	Cross head screws M4x12	1
1-19	TT0811-119	Hex nut M6	1	1-41	TT0811-141	Screws M5x12	2
1-20	TT0811-120	Rod-rear clamping	1	1-42	TT0811-142	Spring washer	1
1-21	TT0811-121	Cross head screws M5x10	4	1-43	TT0811-143	Hex nut M5	1
1-22	TT0811-122	Locking handle	1	1-44	TT0811-144	Scale	1
				1-45	TT0811-145	Front rail end cap	1
				1-46	TT0811-146	Scale	1

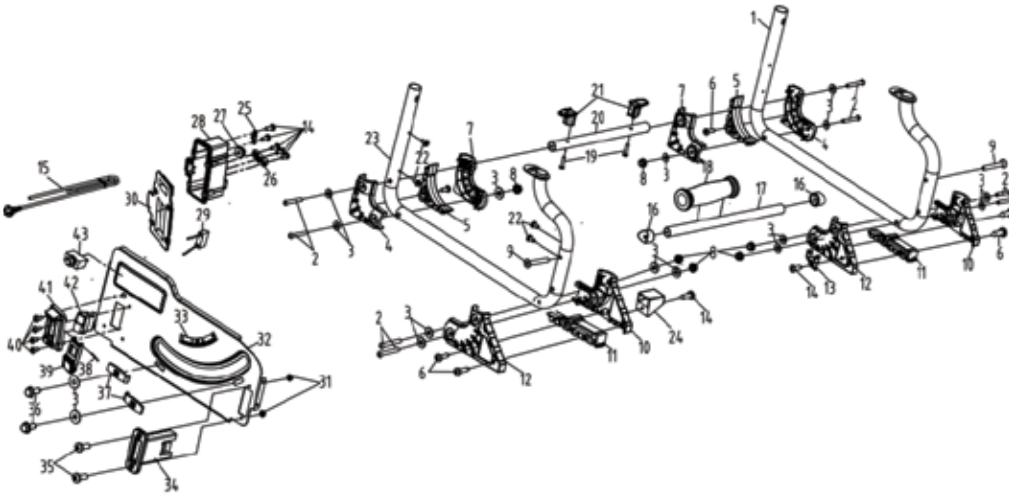
EXPLODED VIEW & PARTS LIST



MOTOR ASSEMBLY

No.	Part No.	Description	Qty.	No.	Part No.	Description	Qty.
2-01	TT0811-201	Self-tapping screws	3	2-29	TT0811-229	Bearing	1
2-02	TT0811-202	Motor end cap	1	2-30	TT0811-230	O-ring	1
2-03	TT0811-203	Spring	2	2-31	TT0811-231	Gear box	1
2-04	TT0811-204	Self-tapping screws	4	2-32	TT0811-232	Set screws M6x10	1
2-05	TT0811-205	Carbor brush	2	2-33	TT0811-233	Small blade guard	1
2-06	TT0811-206	Carbor brush holder	2	2-34	TT0811-234	Screws M4x12	2
2-07	TT0811-207	Motor house	1	2-35	TT0811-235	Shoulder screws M5x10	1
2-08	TT0811-208	Cross head screws M5x35	4	2-36	TT0811-236	Wave washer	1
2-09	TT0811-209	Motor connect wire	1	2-37	TT0811-237	Blade guard	1
2-10	TT0811-210	Cord clip	1	2-38	TT0811-238	Rod	1
2-11	TT0811-211	Stator	1	2-39	TT0811-239	Bracket - driving rod	1
2-12	TT0811-212	Self-tapping screws	1	2-40	TT0811-240	Gear	2
2-13	TT0811-213	Baffle	1	2-41	TT0811-241	Motor bracket	1
2-14	TT0811-214	Bearing sleeve	1	2-42	TT0811-242	Dust collecting tube	1
2-15	TT0811-215	Bearing	1	2-43	TT0811-243	Screws M6x16	1
2-16	TT0811-216	Armture	1	2-44	TT0811-244	Needle bearing	1
2-17	TT0811-217	Lock nut M8	1	2-45	TT0811-245	C-ring	1
2-18	TT0811-218	Washer (Rubber)	1	2-46	TT0811-246	Gear	1
2-19	TT0811-219	Washer	2	2-47	TT0811-247	Flat key	1
2-20	TT0811-220	Threaded rod holder	1	2-48	TT0811-248	Arbor	1
2-21	TT0811-221	Socket screws M5x20	4	2-49	TT0811-249	Cross head screws M5x10	2
2-22	TT0811-222	Self-tapping screws	2	2-50	TT0811-250	Bearing	1
2-23	TT0811-223	Threaded rod	1	2-51	TT0811-251	Gear box cover	1
2-24	TT0811-224	Washer	1	2-52	TT0811-252	Cross head screws M5x16	2
2-25	TT0811-225	Spring washer	1				
2-26	TT0811-226	Socket screws M5x14	1				
2-27	TT0811-227	Riving knife bracket	1				
2-28	TT0811-228	Hex screws M6x18	2				

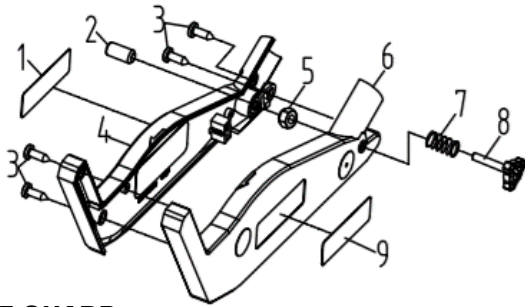
EXPLODED VIEW & PARTS LIST



BASE ASSEMBLY

No.	Part No.	Description	Qty.	No.	Part No.	Description	Qty.
3-01	TT0811-301	Rear base	1	3-22	TT0811-322	Cross head screws	4
3-02	TT0811-302	Sockets M6x45	8	3-23	TT0811-323	Front base	1
3-03	TT0811-303	Washer	16	3-24	TT0811-324	Miter gauge holder (Front)	1
3-04	TT0811-304	Left base foot Cover (Rear)	2	3-25	TT0811-325	Cord clip	1
3-05	TT0811-305	Left base foot	2	3-26	TT0811-326	Cord clip	1
3-06	TT0811-306	Self-tapping screws	6	3-27	TT0811-327	O-Ring	1
3-07	TT0811-307	Left base foot cover (Front)	2	3-28	TT0811-328	Switch box	1
3-08	TT0811-308	Hex nut M6	6	3-29	TT0811-329	Capacitor	1
3-09	TT0811-309	Screws	2	3-30	TT0811-330	Switch middle palte M5	1
3-10	TT0811-310	Right base foot cover (Front)	2	3-31	TT0811-331	Hex nut	2
3-11	TT0811-311	Right base foot	2	3-32	TT0811-332	Base	1
3-12	TT0811-312	Right base foot cover (Rear)	2	3-33	TT0811-333	Bevel sacle	1
3-13	TT0811-313	Miter gauge holder (Rear)	1	3-34	TT0811-334	Push stick holder M5x16	1
3-14	TT0811-314	Self-tapping screws	7	3-35	TT0811-335	Cross head screws M6x12	2
3-15	TT0811-315	Power cord	1	3-36	TT0811-336	Hex screws	2
3-16	TT0811-316	Connecting rod bush	2	3-37	TT0811-337	Angle adjust block	2
3-17	TT0811-317	Connecting rod (Right)	1	3-38	TT0811-338	Pin	1
3-18	TT0811-318	Carry handle	1	3-39	TT0811-339	Switch trigger	1
3-19	TT0811-319	Self-tapping screws	2	3-40	TT0811-340	Self-tapping screws	4
3-20	TT0811-320	Connecting Rod (Left)	1	3-41	TT0811-341	Fixed Switch	1
3-21	TT0811-321	Cord storage M4x10	2	3-42	TT0811-342	Switch	1
				3-43	TT0811-343	Over-load switch	1

EXPLODED VIEW & PARTS LIST



BLADE GUARD

No.	Part No.	Description	Qty.
4-01	TT0811-401	Label (left)	1
4-02	TT0811-402	Set screws M6x6	1
4-03	TT0811-403	Self-tapping screws	4
4-04	TT0811-404	Left blade guard	1
4-05	TT0811-405	Lock nut M6	1
4-06	TT0811-406	Right blade guard	1
4-07	TT0811-407	Spring	1
4-08	TT0811-408	Knob M6x25	1
4-09	TT0811-409	Label (right)	1

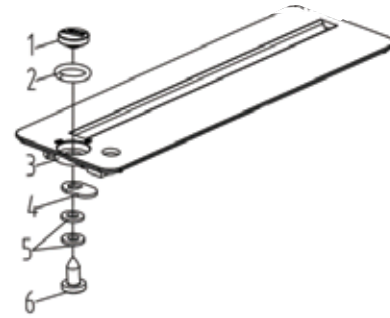
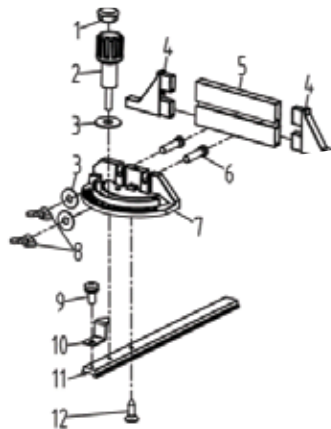


TABLE INSERT

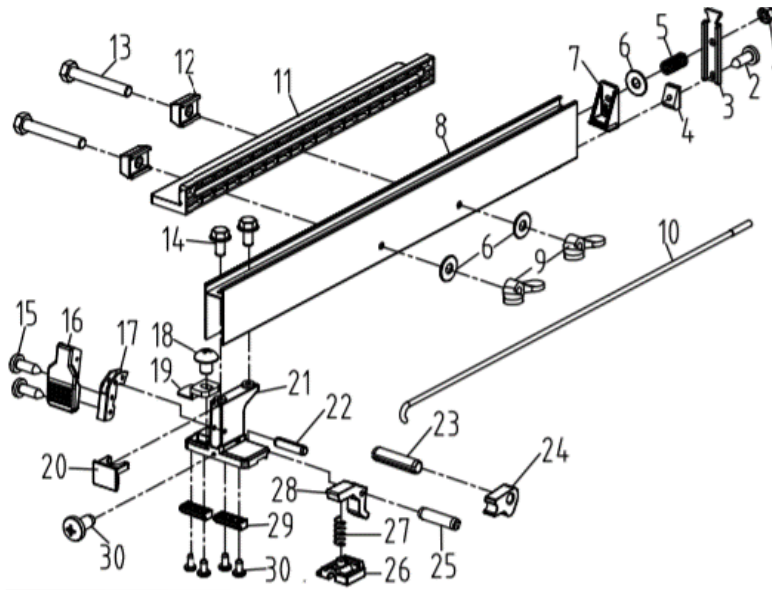
No.	Part No.	Description	Qty.
5-01	TT0811-501	Lock table insert	1
5-02	TT0811-502	O-ring	1
5-03	TT0811-503	Table insert	1
5-04	TT0811-504	Seam Plate Lock	1
5-05	TT0811-505	Washer	2
5-06	TT0811-506	Self-tapping screws	1



MITER GAUGE ASSEMBLY

No.	Part No.	Description	Qty.	No.	Part No.	Description	Qty.
6-01	TT0811-601	End cap	1	6-07	TT0811-607	Miter gauge	1
6-02	TT0811-602	Knob	1	6-08	TT0811-608	Wing nut M6	2
6-03	TT0811-603	Washer	3	6-09	TT0811-609	Cross head screws M4x10	1
6-04	TT0811-604	End cap	2	6-10	TT0811-610	Miter gauge indicator	1
6-05	TT0811-605	Cross stop fence	1	6-11	TT0811-611	Rod - miter gauge	1
6-06	TT0811-606	Carriage bolt M6x25	2	6-12	TT0811-612	Self-tapping screws	1

EXPLODED VIEW & PARTS LIST



RIP FENCE ASSEMBLY

No.	Part No.	Description	Qty.	No.	Part No.	Description	Qty.
7-01	TT0811-701	Lock nut	5	7-17	TT0811-717	Connect block	1
7-02	TT0811-702	Self-tapping screws	1	7-18	TT0811-718	Cross head screws M4x5	1
7-03	TT0811-703	Rear clamp plate	1	7-19	TT0811-719	Rip fence indicator	1
7-04	TT0811-704	Rear clamp	1	7-20	TT0811-720	End cap	1
7-05	TT0811-705	Spring	1	7-21	TT0811-721	Rip fence block	1
7-06	TT0811-706	Washer	3	7-22	TT0811-722	Pin	1
7-07	TT0811-707	Lock rod holder	1	7-23	TT0811-723	Spring pin	1
7-08	TT0811-708	Rip fence	1	7-24	TT0811-724	Baffle wear block	1
7-09	TT0811-709	Wing nut M6	2	7-25	TT0811-725	Pin	1
7-10	TT0811-710	Rod rip fence	1	7-26	TT0811-726	Spring holder	1
7-11	TT0811-711	Auxiliary fence	1	7-27	TT0811-727	Spring	1
7-12	TT0811-712	Nut	2	7-28	TT0811-728	Transmission Block	1
7-13	TT0811-713	Hex bolt M6x40	2	7-29	TT0811-729	Rip fence slider	2
7-14	TT0811-714	Hex screws M6x12	2	7-30	TT0811-730	Cross head screws M4x8	5
7-15	TT0811-715	Self-tapping screws	2				
7-16	TT0811-716	Lock handle	1				

EXPLODED VIEW & PARTS LIST



LOWER BLADE GUARD ASSEMBLY

No.	Part No.	Description	Qty.	No.	Part No.	Description	Qty.
8-01	TT0811-801	Carriage bolt M6x25	1	8-06	TT0811-806	Wing nut M6	1
8-02	TT0811-802	Saw blade cover	1	8-07	TT0811-807	Lower blade guard	1
8-03	TT0811-803	E ring	1	8-08	TT0811-808	Washer	2
8-04	TT0811-804	Wrench B	1	8-09	TT0811-809	Self-tapping screws	1
8-05	TT0811-805	Wrench A	1				

NOTE: Not all parts may be available for purchase. Parts and accessories that wear down over the course of normal use are not covered under the warranty.

F STATEMENT

WEN Products is committed to building tools that are dependable for years. Our warranties are consistent with this commitment and our dedication to quality.

LIMITED WARRANTY OF WEN PRODUCTS FOR HOME USE

GREAT LAKES TECHNOLOGIES, LLC (“Seller”) warrants to the original purchaser only, that all WEN consumer power tools will be free from defects in material or workmanship during personal use for a period of two (2) years from date of purchase or 500 hours of use; whichever comes first. Ninety days for all WEN products if the tool is used for professional or commercial use. Purchaser has 30 days from the date of purchase to report missing or damaged parts.

SELLER’S SOLE OBLIGATION AND YOUR EXCLUSIVE REMEDY under this Limited Warranty and, to the extent permitted by law, any warranty or condition implied by law, shall be the replacement of parts, without charge, which are defective in material or workmanship and which have not been subjected to misuse, alteration, careless handling, misrepair, abuse, neglect, normal wear and tear, improper maintenance, improper storage, incorrect lubricants/fuels, or other conditions adversely affecting the Product or the component of the Product, whether by accident or intentionally, by persons other than Seller. To make a claim under this Limited Warranty, you must make sure to keep a copy of your proof of purchase that clearly defines the Date of Purchase (month and year) and the Place of Purchase. Place of Purchase must be a direct vendor of Great Lakes Technologies, LLC. Purchasing through third party vendors, including but not limited to garage sales, pawn shops, resale shops, or any other secondhand merchant, voids the warranty included with this product. Contact techsupport@wenproducts.com or 1-800-232-1195 with the following information to make arrangements: your shipping address, phone number, serial number, required part numbers, and proof of purchase. Damaged or defective parts and products may need to be sent to WEN before the replacements can be shipped out.

Upon the confirmation of a WEN representative, your product may qualify for repairs and service work. When returning a product for warranty service, the shipping charges must be prepaid by the purchaser. The product must be shipped in its original container (or an equivalent), properly packed to withstand the hazards of shipment. The product must be fully insured with a copy of the proof of purchase enclosed. There must also be a description of the problem in order to help our repairs department diagnose and fix the issue. Repairs will be made and the product will be returned and shipped back to the purchaser at no charge for addresses within the contiguous United States.

THIS LIMITED WARRANTY DOES NOT APPLY TO ITEMS THAT WEAR OUT FROM REGULAR USAGE OVER TIME, INCLUDING FILTERS, SPARK PLUGS, VOLTAGE REGULATORS, BRUSHES, GASKETS, O-RINGS, WHEEL KITS, BATTERIES, RECOIL STARTERS, HIGH PRESSURE HOSES, SPRAY GUNS, ETC. ANY IMPLIED WARRANTIES SHALL BE LIMITED IN DURATION TO TWO (2) YEARS FROM DATE OF PURCHASE. SOME STATES IN THE U.S. AND SOME CANADIAN PROVINCES DO NOT ALLOW LIMITATIONS ON HOW LONG AN IMPLIED WARRANTY LASTS, SO THE ABOVE LIMITATION MAY NOT APPLY TO YOU.

IN NO EVENT SHALL SELLER BE LIABLE FOR ANY INCIDENTAL OR CONSEQUENTIAL DAMAGES (INCLUDING BUT NOT LIMITED TO LIABILITY FOR LOSS OF PROFITS) ARISING FROM THE SALE OR USE OF THIS PRODUCT. SOME STATES IN THE U.S. AND SOME CANADIAN PROVINCES DO NOT ALLOW THE EXCLUSION OR LIMITATION OF INCIDENTAL OR CONSEQUENTIAL DAMAGES, SO THE ABOVE LIMITATION OR EXCLUSION MAY NOT APPLY TO YOU.

THIS LIMITED WARRANTY GIVES YOU SPECIFIC LEGAL RIGHTS, AND YOU MAY ALSO HAVE OTHER RIGHTS WHICH VARY FROM STATE TO STATE IN THE U.S., PROVINCE TO PROVINCE IN CANADA AND FROM COUNTRY TO COUNTRY.

THIS LIMITED WARRANTY APPLIES ONLY TO ITEMS SOLD WITHIN THE UNITED STATES OF AMERICA, CANADA AND THE COMMONWEALTH OF PUERTO RICO. FOR WARRANTY COVERAGE WITHIN OTHER COUNTRIES, CONTACT THE WEN CUSTOMER SUPPORT LINE. FOR WARRANTY PARTS OR PRODUCTS REPAIRED UNDER WARRANTY SHIPPING TO ADDRESSES OUTSIDE OF THE CONTIGUOUS UNITED STATES, ADDITIONAL SHIPPING CHARGES MAY APPLY.

**THANKS FOR
REMEMBERING**

