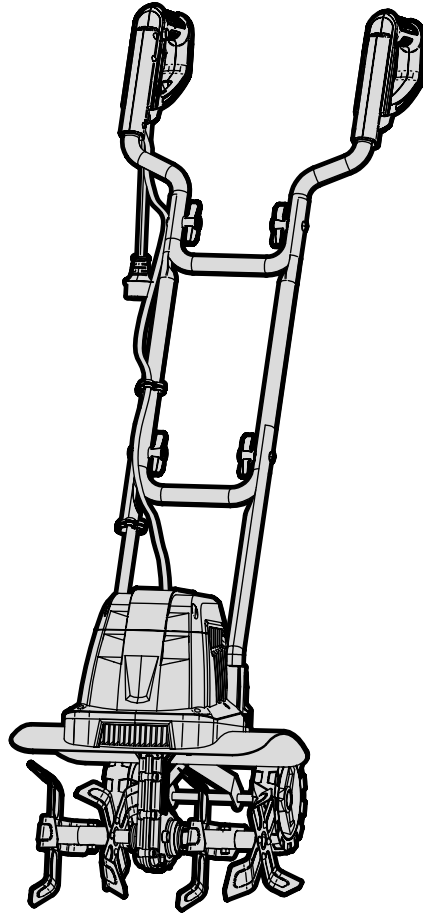




MODEL TC0714

14-INCH ELECTRIC TILLER

Instruction Manual



NEED HELP? CONTACT US!

Have product questions? Need technical support? Please feel free to contact us:



1-800-232-1195 (M-F 8AM-5PM CST)



TECHSUPPORT@WENPRODUCTS.COM

IMPORTANT: Your new tool has been engineered and manufactured to WEN's highest standards for dependability, ease of operation, and operator safety. When properly cared for, this product will supply you years of rugged, trouble-free performance. Pay close attention to the rules for safe operation, warnings, and cautions. If you use your tool properly and for its intended purpose, you will enjoy years of safe, reliable service.

For replacement parts and the most up-to-date instruction manuals, visit **WENPRODUCTS.COM**

CONTENTS

WELCOME	3
Introduction	3
Specifications.....	3
SAFETY	4
General Safety Rules.....	4
Electrical Information.....	6
Electric Tiller Safety Warnings	7
BEFORE OPERATING	9
Unpacking & Packing List.....	9
Know Your Electric Tiller	10
Assembly & Adjustment.....	11
OPERATION & MAINTENANCE	12
Operation	12
Maintenance.....	14
Troubleshooting Guide.....	16
Exploded View & Parts List.....	17
Warranty Statement	20

To purchase accessories for your tool, visit **WENPRODUCTS.COM**

50 ft. Extension Cord (Model PC5124)
100 ft. Extension Cord (Model PC1123)

Right Blade Replacement (Part TC0714-005)
Left Blade Replacement (Part TC0714-073)

INTRODUCTION

Thanks for purchasing the WEN Electric Tiller. We know you are excited to put your tool to work, but first, please take a moment to read through the manual. Safe operation of this tool requires that you read and understand this operator's manual and all the labels affixed to the tool. This manual provides information regarding potential safety concerns, as well as helpful assembly and operating instructions for your tool.

⚠ SAFETY ALERT SYMBOL: Indicates danger, warning, or caution. The safety symbols and the explanations with them deserve your careful attention and understanding. Always follow the safety precautions to reduce the risk of fire, electric shock or personal injury. However, please note that these instructions and warnings are not substitutes for proper accident prevention measures.

NOTE: The following safety information is not meant to cover all possible conditions and situations that may occur. WEN reserves the right to change this product and specifications at any time without prior notice.


At WEN, we are continuously improving our products. If you find that your tool does not exactly match this manual, please visit wenproducts.com for the most up-to-date manual or contact our customer service at **1-800-232-1195**.

Keep this manual available to all users during the entire life of the tool and review it frequently to maximize safety for both yourself and others.

SPECIFICATIONS

Model Number	TC0714
Motor	120V, 60Hz, 7A
Blade Speed	380 RPM
Working Width	14.2 Inches
Blade Diameter	8.1 Inches
Working Depth	8.7 Inches

GENERAL SAFETY RULES

 **WARNING!** Read all safety warnings and all instructions. Failure to follow the warnings and instructions may result in electric shock, fire and/or serious injury.

Safety is a combination of common sense, staying alert and knowing how your item works. The term “power tool” in the warnings refers to your mains-operated (corded) power tool or battery-operated (cordless) power tool.

SAVE THESE SAFETY INSTRUCTIONS.

WORK AREA SAFETY

1. **Keep work area clean and well lit.** Cluttered or dark areas invite accidents.
2. **Do not operate power tools in explosive atmospheres, such as in the presence of flammable liquids, gases or dust.** Power tools create sparks which may ignite the dust or fumes.
3. **Keep children and bystanders away while operating a power tool.** Distractions can cause you to lose control.

ELECTRICAL SAFETY


1. **Power tool plugs must match the outlet. Never modify the plug in any way. Do not use any adapter plugs with earthed (grounded) power tools.** Unmodified plugs and matching outlets will reduce risk of electric shock.
2. **Avoid body contact with earthed or grounded surfaces such as pipes, radiators, ranges and refrigerators.** There is an increased risk of electric shock if your body is earthed or grounded.
3. **Do not expose power tools to rain or wet conditions.** Water entering a power tool will increase the risk of electric shock.
4. **Do not abuse the cord. Never use the cord for carrying, pulling or unplugging the power tool. Keep cord away from heat, oil, sharp edges or moving parts.** Damaged or entangled cords increase the risk of electric shock.
5. **When operating a power tool outdoors, use an extension cord suitable for outdoor use.** Use of a cord suitable for outdoor use reduces the risk of electric shock.

6. **If operating a power tool in a damp location is unavoidable, use a ground fault circuit interrupter (GFCI) protected supply.** Use of a GFCI reduces the risk of electric shock.

PERSONAL SAFETY

1. **Stay alert, watch what you are doing and use common sense when operating a power tool. Do not use a power tool while you are tired or under the influence of drugs, alcohol or medication.** A moment of inattention while operating power tools may result in serious personal injury.
2. **Use personal protective equipment. Always wear eye protection.** Protective equipment such as a respiratory mask, non-skid safety shoes and hearing protection used for appropriate conditions will reduce the risk of personal injury.
3. **Prevent unintentional starting. Ensure the switch is in the off-position before connecting to power source and/or battery pack, picking up or carrying the tool.** Carrying power tools with your finger on the switch or energizing power tools that have the switch on invites accidents.
4. **Remove any adjusting key or wrench before turning the power tool on.** A wrench or a key left attached to a rotating part of the power tool may result in personal injury.
5. **Do not overreach. Keep proper footing and balance at all times.** This enables better control of the power tool in unexpected situations.
6. **Dress properly. Do not wear loose clothing or jewelry. Keep your hair and clothing away from moving parts.** Loose clothes, jewelry or long hair can be caught in moving parts.

GENERAL SAFETY RULES

 **WARNING!** Read all safety warnings and all instructions. Failure to follow the warnings and instructions may result in electric shock, fire and/or serious injury.

Safety is a combination of common sense, staying alert and knowing how your item works. The term “power tool” in the warnings refers to your mains-operated (corded) power tool or battery-operated (cordless) power tool.

SAVE THESE SAFETY INSTRUCTIONS.

7. If devices are provided for the connection of dust extraction and collection facilities, ensure these are connected and properly used. Use of dust collection can reduce dust-related hazards.

POWER TOOL USE AND CARE

1. **Do not force the power tool. Use the correct power tool for your application.** The correct power tool will do the job better and safer at the rate for which it was designed.

2. **Do not use the power tool if the switch does not turn it on and off.** Any power tool that cannot be controlled with the switch is dangerous and must be repaired.

3. **Disconnect the plug from the power source and/or the battery pack from the power tool before making any adjustments, changing accessories, or storing power tools.** Such preventive safety measures reduce the risk of starting the power tool accidentally.

4. **Store idle power tools out of the reach of children and do not allow persons unfamiliar with the power tool or these instructions to operate the power tool.** Power tools are dangerous in the hands of untrained users.

5. **Maintain power tools. Check for misalignment or binding of moving parts, breakage of parts and any other condition that may affect the power tool's operation. If damaged, have the power tool repaired before use.** Many accidents are caused by poorly maintained power tools.

6. **Keep cutting tools sharp and clean.** Properly maintained cutting tools with sharp cutting edges are less likely to bind and are easier to control.

7. **Use the power tool, accessories and tool bits, etc. in accordance with these instructions, taking into account the working conditions and the work to be performed.** Use of the power tool for operations different from those intended could result in a hazardous situation.

8. **Use clamps to secure your workpiece to a stable surface.** Holding a workpiece by hand or using your body to support it may lead to loss of control.

9. **KEEP GUARDS IN PLACE** and in working order.

SERVICE

1. **Have your power tool serviced by a qualified repair person using only identical replacement parts.** This will ensure that the safety of the power tool is maintained.

CALIFORNIA PROPOSITION 65 WARNING

Some dust created by power sanding, sawing, grinding, drilling, and other construction activities may contain chemicals, including lead, known to the State of California to cause cancer, birth defects, or other reproductive harm. Wash hands after handling. Some examples of these chemicals are:

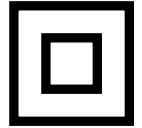
- Lead from lead-based paints.
- Crystalline silica from bricks, cement, and other masonry products.
- Arsenic and chromium from chemically treated lumber.

Your risk from these exposures varies depending on how often you do this type of work. To reduce your exposure to these chemicals, work in a well-ventilated area with approved safety equipment such as dust masks specially designed to filter out microscopic particles.

ELECTRICAL INFORMATION

DOUBLE-INSULATED TOOLS

The tool's electrical system is double-insulated where two systems of insulation are provided. This eliminates the need for the usual three-wire grounded power cord. Double-insulated tools do not need to be grounded, nor should a means for grounding be added to the product. All exposed metal parts are isolated from the internal metal motor components with protecting insulation.



IMPORTANT: Servicing a double-insulated product requires extreme care and knowledge of the system, and should be done only by qualified service personnel using identical replacement parts. Always use original factory replacement parts when servicing.

1. **Polarized Plugs.** To reduce the risk of electric shock, this equipment has a polarized plug (one blade is wider than the other). This plug will fit in a polarized outlet only one way. If the plug does not fit fully in the outlet, reverse the plug. If it still does not fit, contact a qualified electrician to install a proper outlet. Do not modify the machine plug or the extension cord in any way.

2. **Ground fault circuit interrupter protection (GFCI)** should be provided on the circuit or outlet used for this power tool to reduce the risk of electric shock.

3. **Service and repair.** To avoid danger, electrical appliances must only be repaired by a qualified service technician using original replacement parts.

GUIDELINES AND RECOMMENDATIONS FOR EXTENSION CORDS

When using an extension cord, be sure to use one heavy enough to carry the current your product will draw. An undersized cord will cause a drop in line voltage, resulting in loss of power and overheating. The table below shows the correct size to be used according to cord length and ampere rating. When in doubt, use a heavier cord. The smaller the gauge number, the heavier the cord.


AMPERAGE	REQUIRED GAUGE FOR EXTENSION CORDS			
	25 ft.	50 ft.	100 ft.	150 ft.
7A	14 gauge	14 gauge	12 gauge	Not Recommended by UL

1. **Examine extension cord before use.** Make sure your extension cord is properly wired and in good condition. Always replace a damaged extension cord or have it repaired by a qualified person before using it.

2. **Do not abuse extension cord.** Do not pull on cord to disconnect from receptacle; always disconnect by pulling on plug. Disconnect the extension cord from the receptacle before disconnecting the product from the extension cord. Protect your extension cords from sharp objects, excessive heat and damp/wet areas.

3. **Use a separate electrical circuit for your tool.** This circuit must not be less than a 12-gauge wire and should be protected with a 15A time-delayed fuse. Before connecting the motor to the power line, make sure the switch is in the OFF position and the electric current is rated the same as the current stamped on the motor nameplate. Running at a lower voltage will damage the motor.

ELECTRIC TILLER SAFETY WARNINGS

 **WARNING!** Do not operate the power tool until you have read and understood the following instructions and the warning labels.

ELECTRIC TILLER SAFETY

1. GROUND FAULT CIRCUIT INTERRUPTER (GFCI) protection should be provided on the circuit or outlet to be used for the tiller/cultivator. Receptacles are available having built-in GFCI protection and may be used.

2. DISCONNECT UNIT from the power supply when not in use or when servicing or cleaning. Do not leave unattended.

3. DON'T ABUSE CORD - Never carry this product by the cord or yank the cord to disconnect from the receptacle. Keep cord away from heat, oil, and sharp edges.

4. USE RIGHT APPLIANCE - Do not use this product for any job except that for which it is intended.

5. DON'T OVERREACH - Guide the tiller/cultivator at a walking pace only. Keep proper footing and balance at all times.

6. LIGHTING - Only operate your tiller/cultivator in daylight or good artificial light.

7. STORE IDLE UNIT INDOORS - When not in use, the tiller/cultivator should be stored indoors in a dry area out of children's reach.

8. MAINTAIN UNIT WITH CARE - Keep clean for best performance and to reduce the risk of injury. Inspect extension cord periodically and replace if damaged. Keep handles dry, clean and free from oil.

9. POLARIZED PLUGS - To reduce the risk of electric shock, this product has a polarized plug. Polarized connections will fit together only one way. Make sure that the receptacle end of the extension cord has large and small blade slot widths. If the plug does not fit fully into extension cord, reverse the plug. If it still does not fit, obtain a suitable extension cord. If the extension cord does not fit fully into the outlet, contact a qualified electrician to install the proper outlet. Do not change the plug on the tool or the extension cord in any way.


10. Do not operate the tiller on a slope that is too steep for safe operation. When on slopes, slow down and make sure you have stable footing.


11. Before starting the tiller make sure the tines are not touching any object and are free to move.

12. Grip the guide bar firmly with both hands. Never operate the tiller/cultivator with one hand.

13. STAY ALERT - Watch what you are doing. Use common sense. Do not operate the tiller/cultivator when you are tired or under the influence of drugs, alcohol, or medication


14. If the tiller strikes a foreign body, turn it off immediately, wait for the tines to stop and check for damage. If necessary, repair before restarting.

 **CAUTION!** The electric tiller may bounce upward or jump forward if the tines strike extremely hard packed soil, frozen ground, or buried obstacles such as large stones, roots or stumps.


 **WARNING!** Do not operate the tiller near underground electrical cables, telephone lines, pipes or hoses.

15. If the tiller starts to vibrate abnormally, turn it off immediately and check for the cause. Excessive vibration is generally a sign of a malfunction or damaged part.

16. Before carrying out any maintenance or repairs, always turn off the tiller/cultivator, disconnect from the power supply and wait until the tines come to a complete stop before carrying out any maintenance or repairs.


 **DANGER! RISK OF CUT** - Wear gloves and use caution when cleaning or performing maintenance on the tiller/cultivator.


ELECTRIC TILLER SAFETY WARNINGS


 **WARNING!** Do not operate the power tool until you have read and understood the following instructions and the warning labels.


17. WATCH FOR CORD - Be aware of the extension cord while using the tiller. Make sure not to trip over the cord and keep it out of the path of the tiller. Always guide the cord away from the tool during operation.

18. KEEP AWAY FROM WATER - Do not expose the tiller to wet or rainy conditions. Never operate the tiller with wet hands. Either of these can increase the risk of shock, personal injury, or tool damage.

 **CAUTION!** Tines do not stop immediately after the ID tiller/cultivator is turned off.

 **CAUTION!** The electrical cords on this product may contain chemicals known to the State of California to cause cancer and birth defects or other reproductive harm. Wash hands after handling.

 **CAUTION!** Risk of injury. Do not put hands, feet or any body part or clothing near the rotating tines.

 **WARNING!** Some dust and debris created by the use of this tool could contain chemicals known to the State of California to cause cancer and birth defects or other reproductive harm. Some examples of these chemicals are:

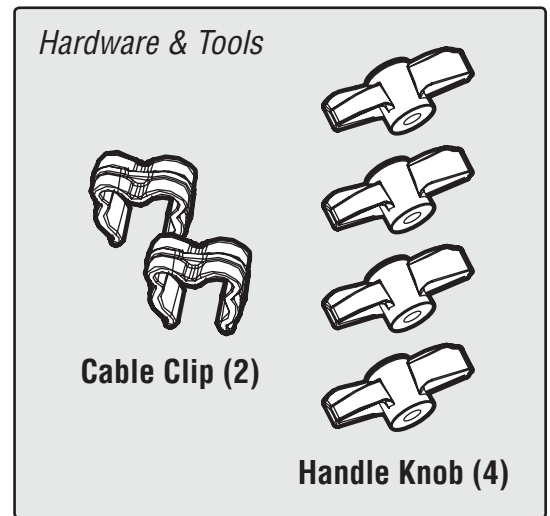
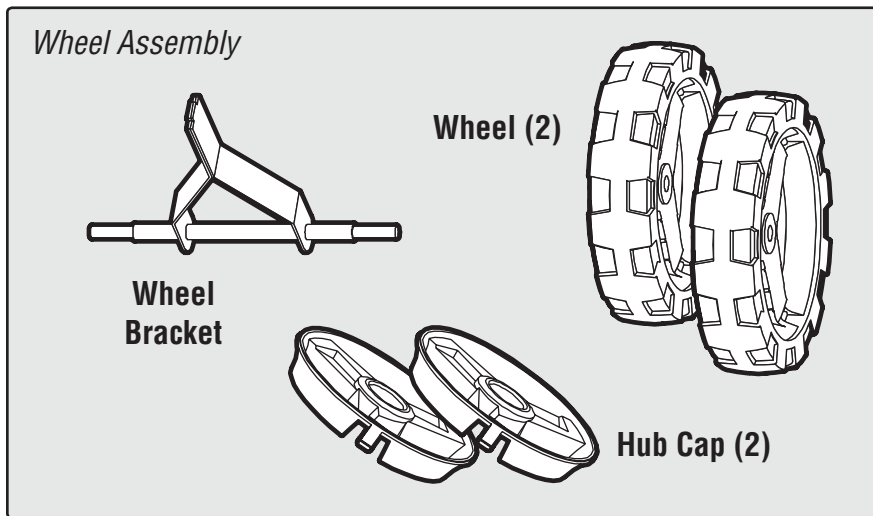
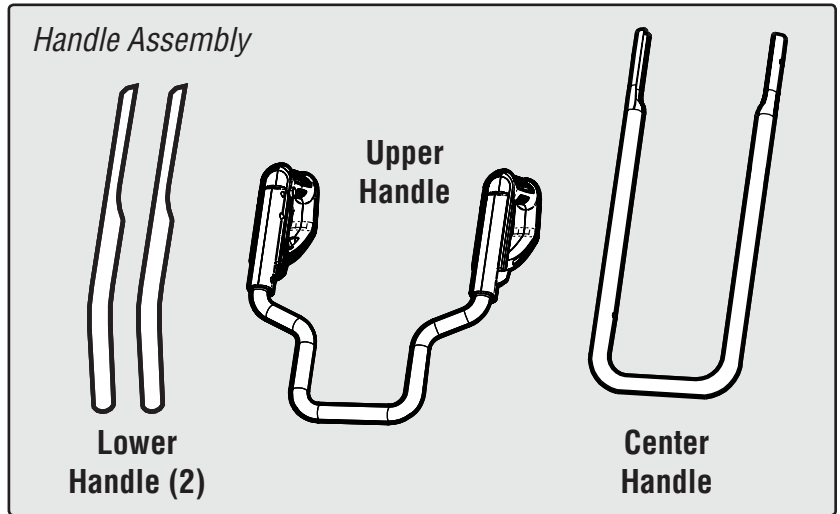
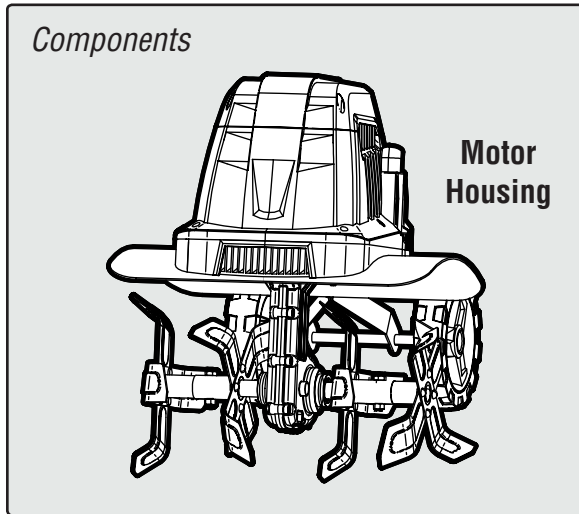
- Chemicals in fertilizers.
- Compounds in insecticides and pesticides.
- Arsenic & chromium from treated lumber

Your risk from exposure to these chemicals varies, depending on how often you do this type of work. To reduce your exposure, work in a well-ventilated area and with approved safety equipment such as dust masks that are specially designed to filter out microscopic particles.

UNPACKING & PACKING LIST

UNPACKING

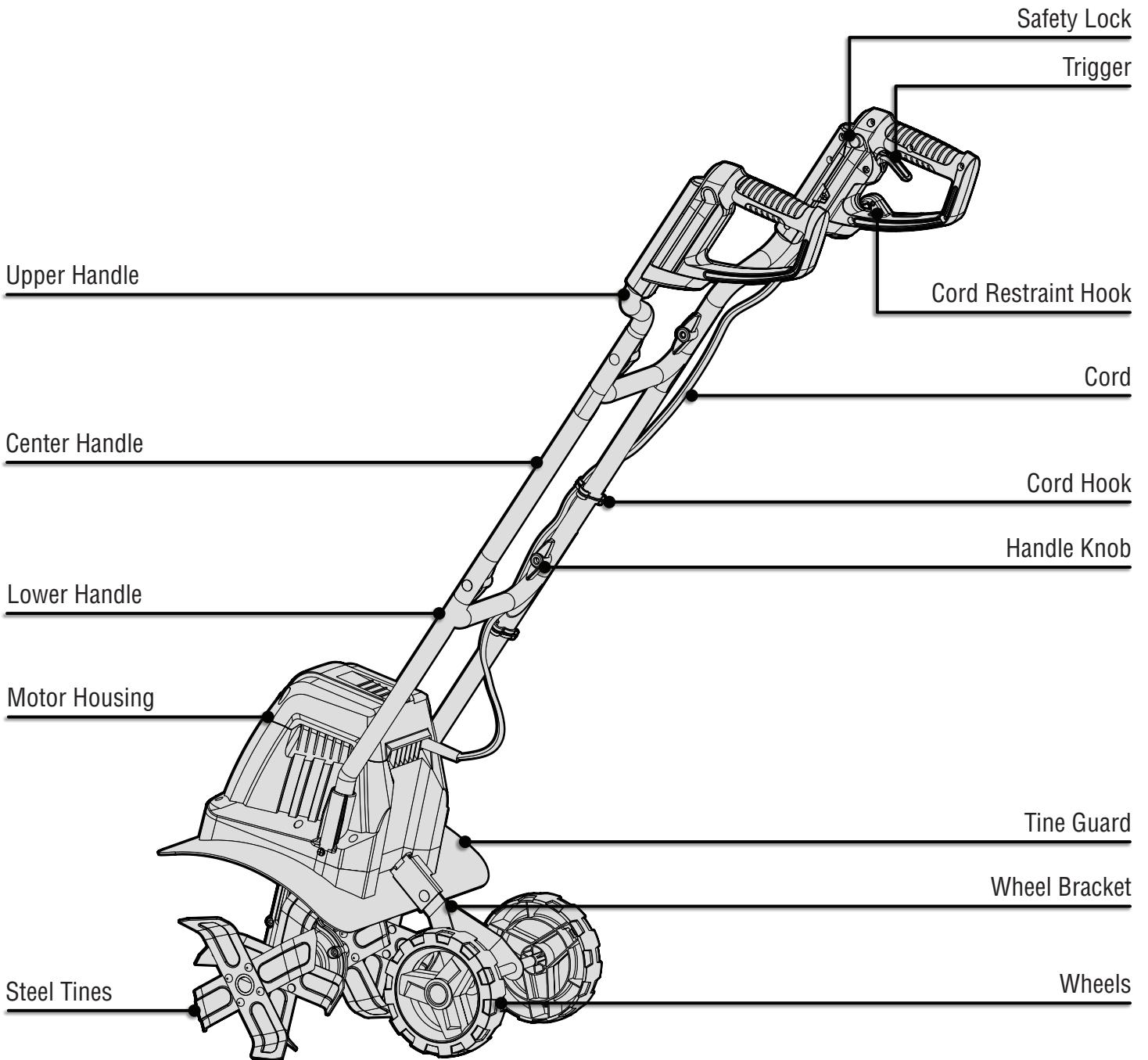
With the help of a friend or trustworthy foe, such as one of your in-laws, carefully remove the electric tiller from the packaging and place it on a sturdy, flat surface. Make sure to take out all contents and accessories. Do not discard the packaging until everything is removed. Check the packing list below to make sure you have all of the parts and accessories. If any part is missing or broken, please contact customer service at **1-800-232-1195** (M-F 8-5 CST), or email techsupport@wenproducts.com.



KNOW YOUR ELECTRIC TILLER

TOOL PURPOSE

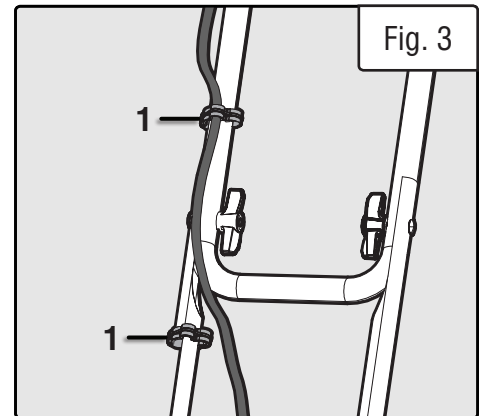
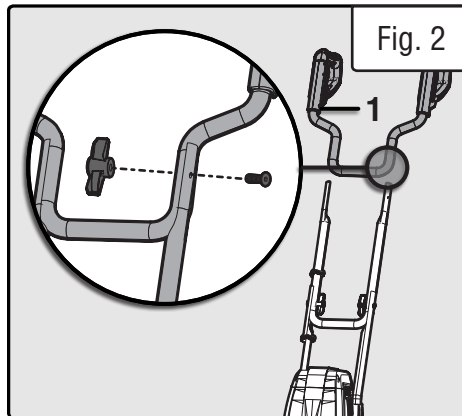
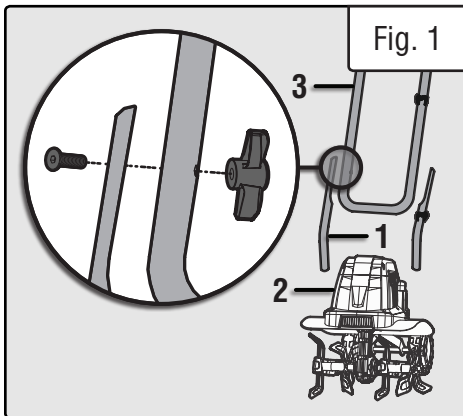
Tackle the toughest of yards and gardens with your WEN Electric Tiller. Refer to the following diagrams to become familiarized with all the parts and controls of your Electric Tiller. The components will be referred to later in the manual for assembly and operation instructions.



ASSEMBLY & ADJUSTMENTS

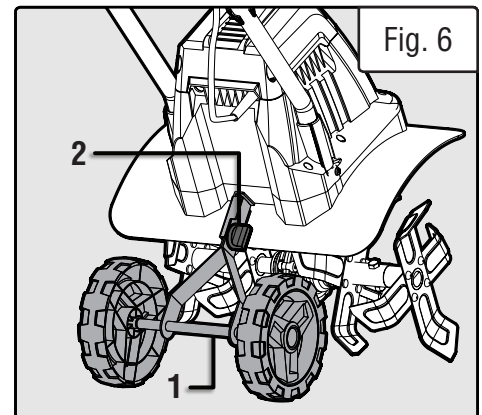
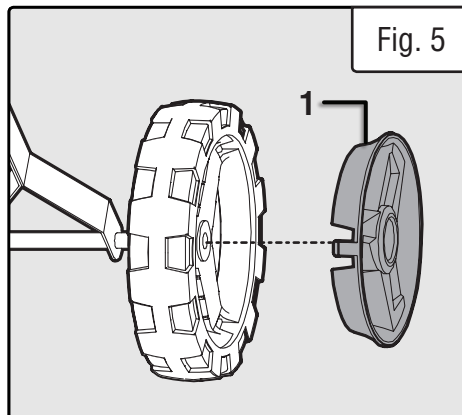
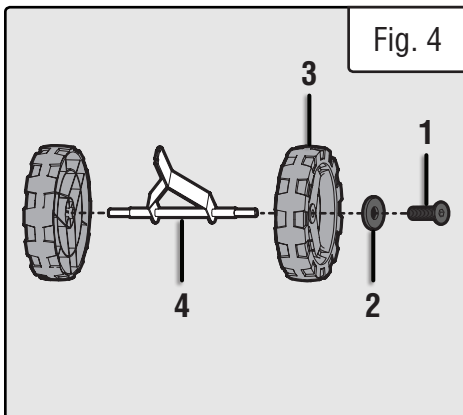
ASSEMBLING THE HANDLE

1. Insert lower handle section (Fig. 1 - 1) into motor housing (Fig. 1 - 2) and fasten using two M4x16 screws.
2. Attach center handle section (Fig. 1-3) to lower handle sections (Fig. 1-1) with two M6x45 bolts and handle knobs.
3. Fasten upper handle section (Fig. 2 - 1) to center handle section using two M6x45 bolts and handle knobs.
4. Secure the cable along the handle tubes with the two supplied cable clips (Fig. 3 - 1).



ASSEMBLING THE WHEELS

1. Remove M5x12 screws (Fig. 4 - 1) and washers (Fig. 4 - 2) from each side of wheel frame. Insert wheels (Fig. 4 - 3) onto axle (Fig. 4 - 4) of wheel frame. Fasten wheels on wheel frame with M5x12 screws and washers.
2. Press the two hub caps (Fig. 5 - 1) into each of the two wheels.
3. Attach the wheel frame (Fig. 6 - 1) to the motor guard using the M5x16 screw, washer, and lock knob (Fig. 6 - 2).



BEFORE EACH USE:

1. Check the product, its power cord and plug, and any other accessories for damage. Do not use the product if it is damaged or shows wear.
2. Double check that the accessories and attachments are properly fitted.
3. Ensure that the handles are dry to ensure a secure grip. Always hold the product by its handles.
4. Ensure that the air vents are always unobstructed and clear. Blocked air vents may lead to overheating and damage the product.

OPERATION

CONNECTING TO POWER SUPPLY

NOTE: For safety reasons, this product is equipped with a short power cord. Do not connect the electric tiller directly to a power supply using this power cord. A proper extension cord is required for operation. Observe the technical requirements for this product when purchasing an extension cord.

⚠ WARNING! For your safety, it is required that the extension cord be rated for outdoor use, with all sockets protected against water splash. Always use a residual-current device (RCD) or residual-current circuit breaker (RCCB) protected power supply.

⚠ WARNING! Check the voltage to ensure it complies with the information on the rating label.

CONNECTING THE EXTENSION CORD

1. Make sure that the power is OFF.
2. Select the correct extension cord using the chart on p. 6.
3. Make a knot with the power and extension cords (Fig. 7). Secure the connection.

POWERING ON & OFF

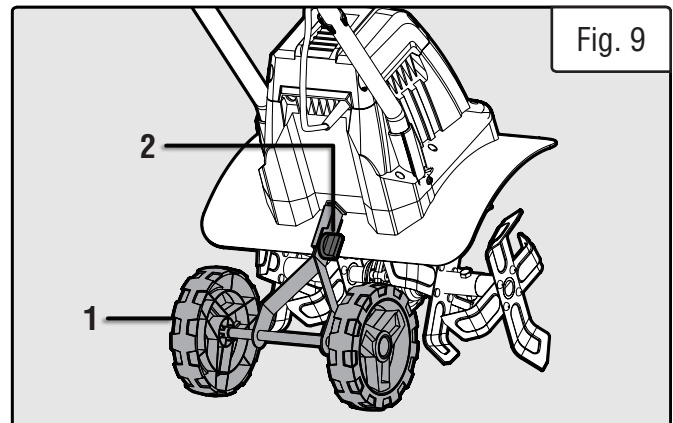
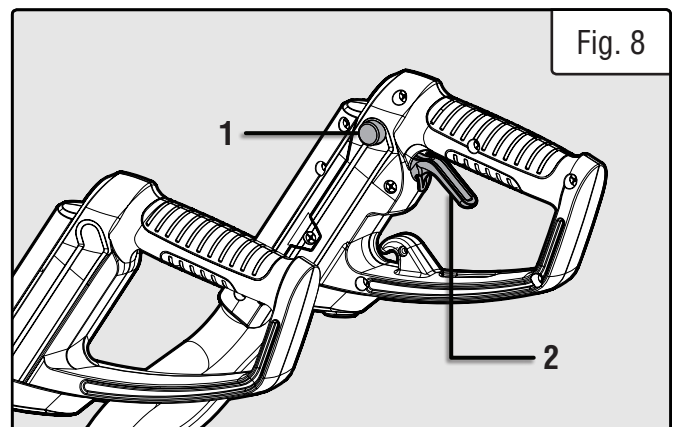
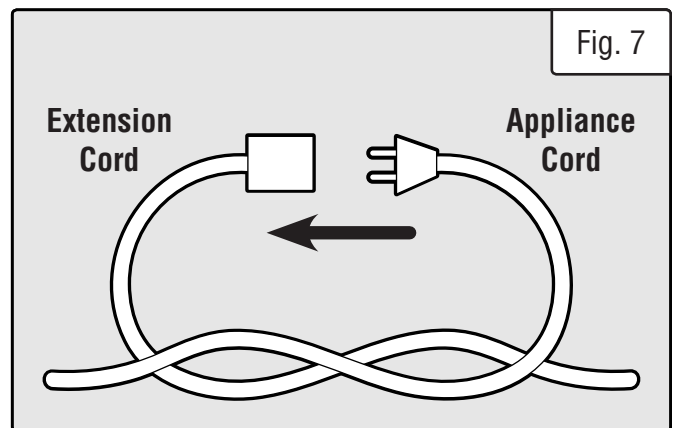
⚠ WARNING! Rotating tines may cause serious injury. The tines will continue to turn for a few seconds after the tool has been switched OFF. Do not touch the rotating tines. Contact with hot components (i.e. motor housing, gear box, etc.) on the machine may cause burns. Allow the machine to cool before handling.

1. Connect the tiller to a working 120V outlet using a heavy-duty, outdoor rated extension cord.
2. To turn the tool ON, push and hold the safety lock button (Fig. 8 - 1) with your thumb and then squeeze the trigger switch (Fig. 8 - 2) with your fingers. Once the tool is running, release the safety lock button.
3. To switch OFF, release the trigger switch (Fig. 8 - 2).

TILLING

1. Move tiller to desired work area prior to starting motor.
2. Remove wheels and wheel bracket (Fig. 9 - 1) by unscrewing lock knob (Fig. 9 - 2) and removing M5x16 bolt. Store wheel support bar assembly to reassemble after use.

Tilling instructions continue on the next page.



OPERATION

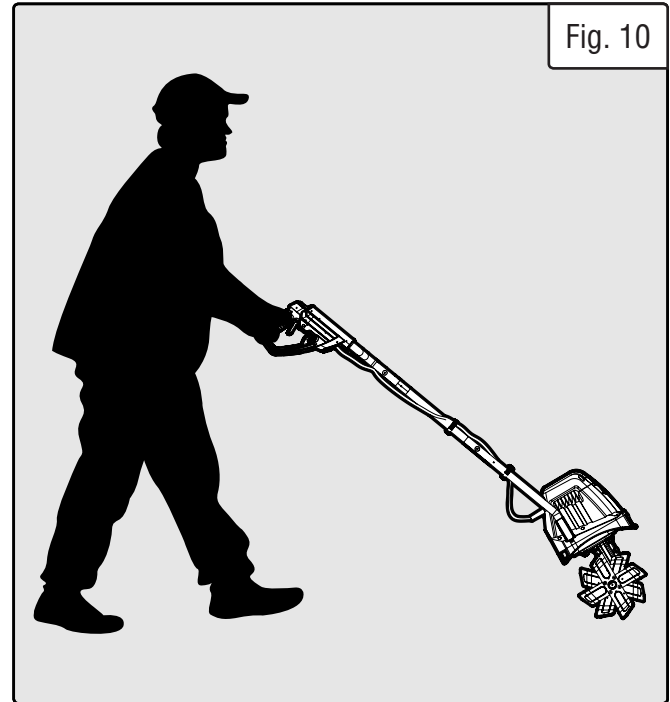
TILLING (CONT.)

3. Connect to the power supply and hold the tiller firmly when starting. The tines will pull the tiller forward during operation (Fig. 10).

4. To start the tiller, press the safety lock button (Fig. 8 - 1) and then pull the trigger lever (Fig. 8 - 2) up and against the handle bar. The motor will start and the tines will begin to rotate.

5. When finished with the tilling session, replace the wheel support assembly for ease of mobility and storage. Fasten the wheel support bar to the tine guard using the M5x16 bolt, washer, and lock knob.

NOTE: For breaking sod or deep tilling, allow the tines to pull the tiller forward to the end of your arm's reach, then firmly pull it back towards yourself. Best results will be achieved by repeatedly allowing the tiller to move forward and pulling it back.



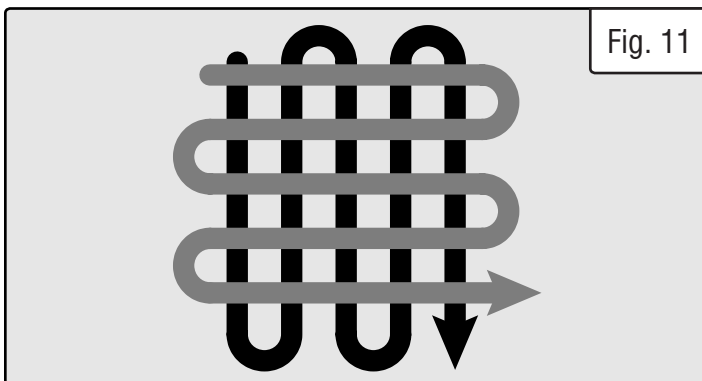
NOTE: If tiller digs deep enough that it gets stuck, gently rock from side to side until it starts to move forward again.

⚠ CAUTION! Take extra precautions when moving backwards and when pulling the tiller back towards yourself to avoid tripping.

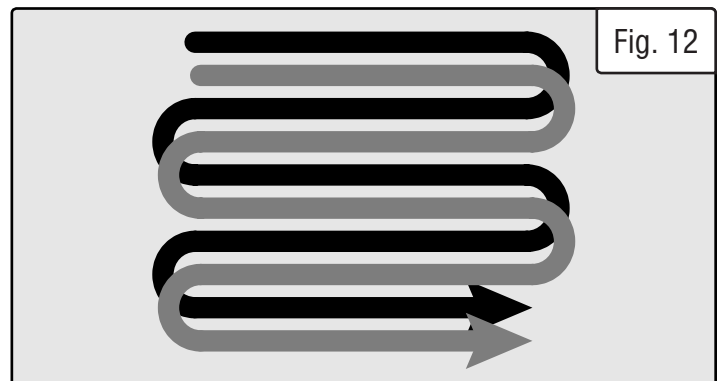
⚠ WARNING! Never pass the tiller over the extension cord. Make sure the cord is always in a safe position away from the tines.

⚠ CAUTION! When working on inclines, always stand diagonally to the incline to retain a firm, safe footing. Do not work on extremely steep slopes.

For preparing seed beds, we recommend using one of the following tilling patterns:



Tilling Pattern A: Make two passes over the area to be tilled, the second perpendicular to the first (Fig. 11).



Tilling Pattern B: Make two passes over the area to be tilled, the second overlapping the first (Fig. 12).

OPERATION

⚠ CAUTION! Before moving the tiller from one area to another, switch off the motor and wait for the tines to come to a complete stop. Be careful not to let the tines touch the ground while moving the tiller. The tines, as well as the unit itself, may be damaged even if the motor is switched off.

CLEARING FOREIGN OBJECTS

During operation, a stone or root could become lodged in the tines, or tall plants may become wrapped around the tine shaft.

To clear the tines or tine shaft, release the trigger lever, wait for the tines to come to a complete stop and unplug the tiller. Carefully dislodge or remove the foreign matter from the tines or tine shaft. To simplify removal of tall grass or weeds from the tine shaft, remove one or more of the tines.

NOTE: Always wear gloves when clearing the tines or tine shaft.

MAINTENANCE

ROUTINE INSPECTION

Before each use, inspect the tool. If any of these following conditions exist, do not use until parts are replaced.

Check for:

- Loose hardware or improper mounting
- Misalignment
- Cracked or broken parts
- Any other condition that may affect its safe operation

Once per season, lubricate the tines and shaft. At the end of the season, check the tiller for damage prior to storing. Repair or replace damaged or broken parts.

CLEANING

⚠ CAUTION! Always clean the tiller after each use. Failure to carry out proper cleaning can result in damage to the tiller or result in poor performance.

⚠ CAUTION! Never use a water hose to clean the tiller.

Clean the underside of the tine guard and motor housing around the tines using a scrubbing brush and a soft cloth dampened with a mild soap and water mixture.

To remove soil and debris from the transmission and tines, use a stiff brush or a dampened cloth.

Clean the vents on the motor housing and remove any remaining grass or dirt.

Once cleaned, wipe the tines and shaft dry and apply a light coat of oil to prevent rust.

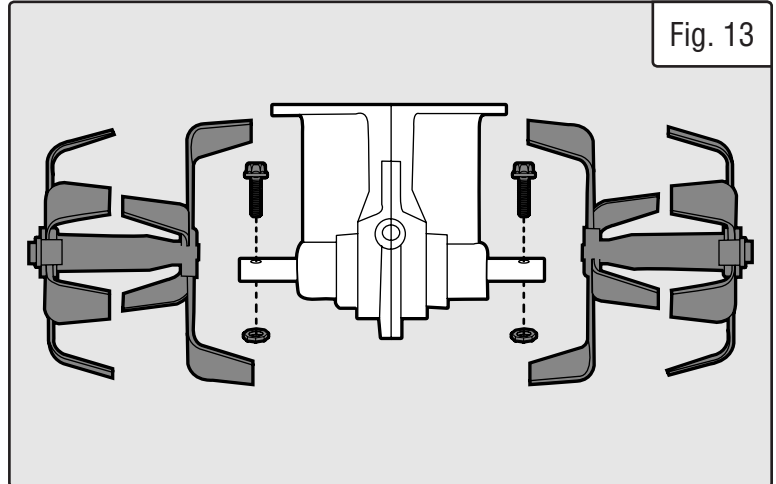
MAINTENANCE

TINES REMOVAL AND INSTALLATION

Worn tines result in poor performance and can overload the motor.

⚠ WARNING! Injury can occur while working on the tines. Always wear protective gloves.

Check tines before each use. Sharpen or replace the tine assemblies with new ones when necessary. To remove complete tine assembly from the shaft, remove the M8x40 hex head screw from the shaft. Pull off the tine assembly from the shaft. Follow the above steps in reverse to install tines. (Fig. 13)



STORAGE

Store this tool carefully in a secure, dry place, out of reach of children.

During extended periods of storage, ensure that the tool is protected against corrosion and frost.

At the end of the season, or if the tool is not being used for longer than a month, wipe over metal surfaces with an oil covered cloth or spray a fine coat of oil to protect the tiller from corrosion.

Fold the handle bar down and store the tool in a suitable place.

PRODUCT DISPOSAL

Used power tools should not be disposed of together with household waste. If the product contains electrical components they should be recycled. Please take this product to your local recycling facility for responsible disposal and to minimize its environmental impact.



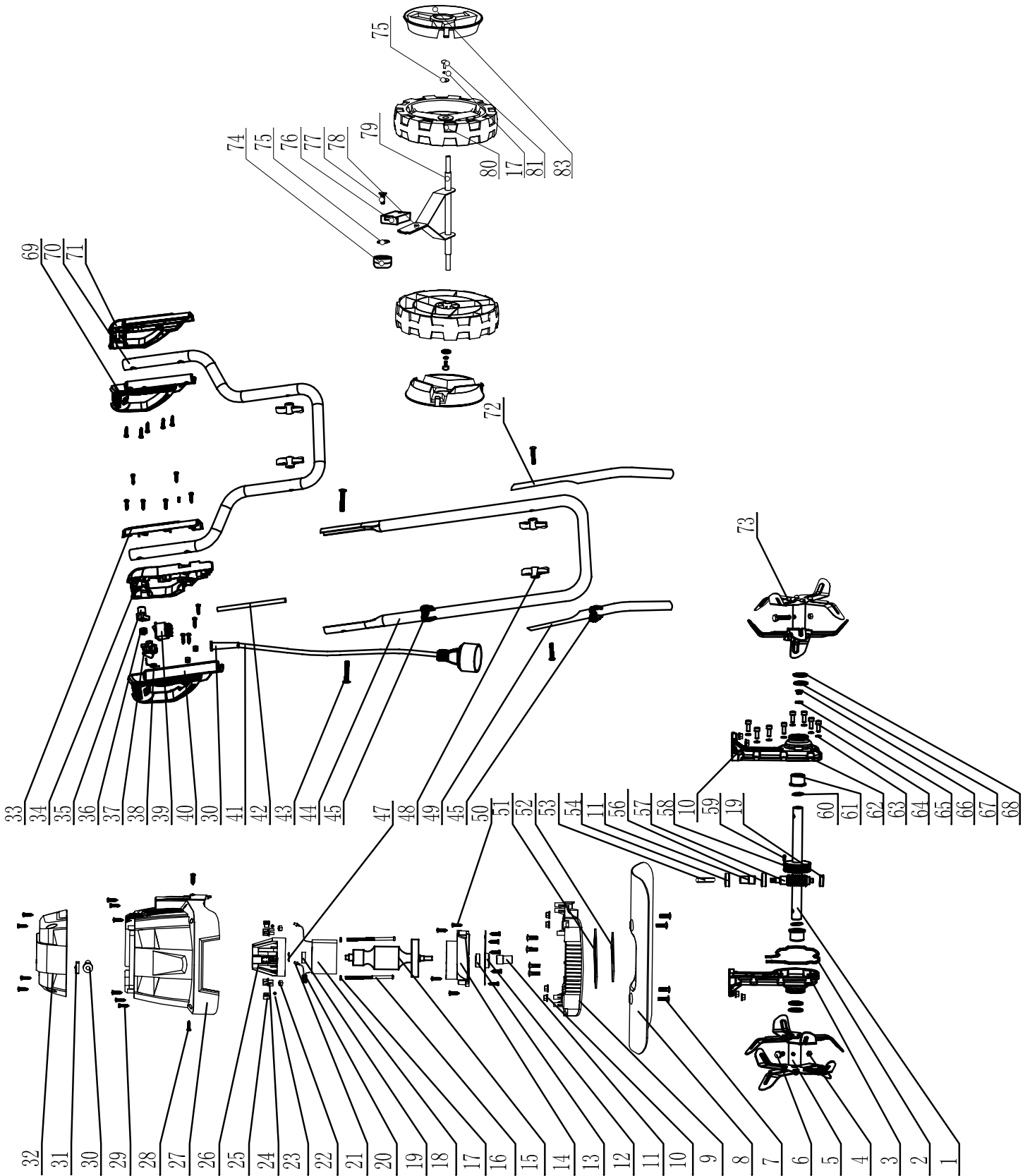
Please recycle the packaging and electronic components where facilities exist. Please contact your local auto garage or recycling facility to properly dispose of oil/fuel.

TROUBLESHOOTING GUIDE

⚠ WARNING! Stop using the generator immediately if any of the following problems occur or risk serious personal injury. If you have any questions, please contact customer service at **1-800-232-1195** (M-F 8-5 CST), or email techsupport@wenproducts.com.

Problem	Possible Cause	Solution
Motor Does Not Start	The outlet that the tiller is connected to is faulty or has tripped.	Ensure that the unit is plugged into a working outlet and the tool is switched on.
	The power cord or extension cord is damaged or not properly plugged in.	Check the power cord, extension cord, power plug and the power outlet. Do not use if any cord is damaged.
	Motor is overloaded and circuit breaker trips.	Wait 15 minutes and try to use the tiller again. Avoid using the tiller in soil with lots of hard objects or when the soil is wet or frozen.
	Carbon brushes worn down.	Contact customer service at 1-800-232-1195
Abnormal Noise	Tines are worn or damaged.	Replace the tines.
	Working depth is too shallow.	Work slower and deeper with the tiller.
Excessive Vibrations	Loose components.	Tighten all bolts. If noises continue contact customer service at 1-800-232-1195
Unsatisfactory Performance	Tines are worn or damaged.	Replace the tines.
	Working depth is too shallow.	Work slower and deeper with the tiller.
Tool Overheating	Motor is overloaded and circuit breaker trips.	Reduce load on motor - work slower and shallower. Avoid using the tiller in soil with lots of hard objects or when the soil is wet or frozen.
	Extension cord too long with an insufficient gauge.	Utilize an extension cord of appropriate gauge and length.

EXPLODED VIEW & PARTS LIST



EXPLODED VIEW & PARTS LIST

NO.	PART NO.	DESCRIPTION	QTY.	NO.	PART NO.	DESCRIPTION	QTY.
1	TC0714-001	Blade Shaft	1	36	TC0714-036	Safety Button Spring	1
2	TC0714-002	Gasket, Gearbox	1	37	TC0714-037	Switch Trigger	1
3	TC0714-003	Gearbox Cover, Right	1	38	TC0714-038	Switch Trigger Spring	1
4	TC0714-004	Lock Nut, M8	2	39	TC0714-039	Power Switch	1
5	TC0714-005	Blade Subassembly, Right	1	40	TC0714-040	Right Handle, Outer	1
6	TC0714-006	Hex Screw, M8	2	41	TC0714-041	Power Cord	1
7	TC0714-007	Carriage Bolt, M6x20	8	42	TC0714-042	Wire	1
8	TC0714-008	Blade Guard	1	43	TC0714-043	Screw, M6x45	4
9	TC0714-009	Lower Housing Base	1	44	TC0714-044	Handle Frame, Middle	1
10	TC0714-010	Lock Nut, M6	8	45	TC0714-045	Wire Clip	2
11	TC0714-011	Splined Connector Sleeve	2	47	TC0714-047	Wavy Washer	1
12	TC0714-012	Rotor Positioning Plate	1	48	TC0714-048	Frame Knob	4
13	TC0714-013	Ball Bearing, 6000	1	49	TC0714-049	Handle Frame, Lower Right	1
14	TC0714-014	Lower Motor Cover	1	50	TC0714-050	Self-tapping Screw, ST4x20	10
15	TC0714-015	Rotor	1	51	TC0714-051	Outer Damper Pad	1
16	TC0714-016	Screw, M5x80	2	52	TC0714-052	Inner Damper Pad	1
17	TC0714-017	Spring Washer, 5mm	4	53	TC0714-053	Splined Connector Shaft	1
18	TC0714-018	Stator	1	54	TC0714-054	Shaft Sealing Ring	1
19	TC0714-019	Ball Bearing, 608	2	56	TC0714-056	Ball Bearing, 6001	1
20	TC0714-020	Thermal Breaker	1	57	TC0714-057	Worm Gear	1
21	TC0714-021	Wire Terminal	2	58	TC0714-058	Shaft Gear	1
22	TC0714-022	Nut, M5	2	59	TC0714-059	Key, 4x4x16mm	1
23	TC0714-023	Self-tapping Screw, ST3x12	3	60	TC0714-060	Washer, 19mm	2
24	TC0714-024	Carbon Brush Holder	2	61	TC0714-061	Oil Bearing Block	2
25	TC0714-025	Carbon Brush	2	62	TC0714-062	Gearbox Cover, Left	1
26	TC0714-026	Upper Motor Cover	1	63	TC0714-063	Spring Washer, 6mm	8
27	TC0714-027	Upper Housing	1	64	TC0714-064	Socket Head Cap Screw, M6x18	8
28	TC0714-028	Self-tapping Screw, ST4x16	2	65	TC0714-065	O-ring	1
29	TC0714-029	Self-tapping Screw, Phillips, ST4x16	39	66	TC0714-066	Socket Head Cap Screw, M10x10	1
30	TC0714-030	Power Cord Strain Relief	2	67	TC0714-067	Gearbox Seal	2
31	TC0714-031	Power Cord Clamping Plate	3	68	TC0714-068	Gearbox Seal Cover	2
32	TC0714-032	Upper Housing Cover	1	69	TC0714-069	Left Handle, Inner	1
33	TC0714-033	Handle Base Plate	1	70	TC0714-070	Handle Frame, Upper	1
34	TC0714-034	Right Handle, Inner	1	71	TC0714-071	Left Handle, Outer	1
35	TC0714-035	Safety Button	1	72	TC0714-072	Handle Frame, Lower Left	1

EXPLODED VIEW & PARTS LIST

NO.	PART NO.	DESCRIPTION	QTY.
73	TC0714-073	Blade Subassembly, Left	1
74	TC0714-074	Wheel Frame Knob	1
75	TC0714-075	Washer, 5mm	3
76	TC0714-076	Wheel Frame Connecting Plate	1
77	TC0714-077	Screw, M5x16	1

NO.	PART NO.	DESCRIPTION	QTY.
78	TC0714-078	Wheel Frame	1
79	TC0714-079	Wheel Frame Shaft	1
80	TC0714-080	Wheel	2
81	TC0714-081	Screw, M5x12	2
83	TC0714-083	Wheel Cover	2

WARRANTY STATEMENT

WEN Products is committed to building tools that are dependable for years. Our warranties are consistent with this commitment and our dedication to quality.

LIMITED WARRANTY OF WEN PRODUCTS FOR HOME USE

GREAT LAKES TECHNOLOGIES, LLC (“Seller”) warrants to the original purchaser only, that all WEN consumer power tools will be free from defects in material or workmanship during personal use for a period of two (2) years from date of purchase or 500 hours of use; whichever comes first. Ninety days for all WEN products if the tool is used for professional or commercial use. Purchaser has 30 days from the date of purchase to report missing or damaged parts.

SELLER’S SOLE OBLIGATION AND YOUR EXCLUSIVE REMEDY under this Limited Warranty and, to the extent permitted by law, any warranty or condition implied by law, shall be the replacement of parts, without charge, which are defective in material or workmanship and which have not been subjected to misuse, alteration, careless handling, misrepair, abuse, neglect, normal wear and tear, improper maintenance, or other conditions adversely affecting the Product or the component of the Product, whether by accident or intentionally, by persons other than Seller. To make a claim under this Limited Warranty, you must make sure to keep a copy of your proof of purchase that clearly defines the Date of Purchase (month and year) and the Place of Purchase. Place of Purchase must be a direct vendor of Great Lakes Technologies, LLC. Purchasing through third party vendors, including but not limited to garage sales, pawn shops, resale shops, or any other secondhand merchant, voids the warranty included with this product. Contact techsupport@wenproducts.com or 1-800-232-1195 with the following information to make arrangements: your shipping address, phone number, serial number, required part numbers, and proof of purchase. Damaged or defective parts and products may need to be sent to WEN before the replacements can be shipped out.

Upon the confirmation of a WEN representative, your product may qualify for repairs and service work. When returning a product for warranty service, the shipping charges must be prepaid by the purchaser. The product must be shipped in its original container (or an equivalent), properly packed to withstand the hazards of shipment. The product must be fully insured with a copy of the proof of purchase enclosed. There must also be a description of the problem in order to help our repairs department diagnose and fix the issue. Repairs will be made and the product will be returned and shipped back to the purchaser at no charge for addresses within the contiguous United States.

THIS LIMITED WARRANTY DOES NOT APPLY TO ITEMS THAT WEAR OUT FROM REGULAR USAGE OVER TIME, INCLUDING BELTS, BRUSHES, BLADES, BATTERIES, ETC. ANY IMPLIED WARRANTIES SHALL BE LIMITED IN DURATION TO TWO (2) YEARS FROM DATE OF PURCHASE. SOME STATES IN THE U.S. AND SOME CANADIAN PROVINCES DO NOT ALLOW LIMITATIONS ON HOW LONG AN IMPLIED WARRANTY LASTS, SO THE ABOVE LIMITATION MAY NOT APPLY TO YOU.

IN NO EVENT SHALL SELLER BE LIABLE FOR ANY INCIDENTAL OR CONSEQUENTIAL DAMAGES (INCLUDING BUT NOT LIMITED TO LIABILITY FOR LOSS OF PROFITS) ARISING FROM THE SALE OR USE OF THIS PRODUCT. SOME STATES IN THE U.S. AND SOME CANADIAN PROVINCES DO NOT ALLOW THE EXCLUSION OR LIMITATION OF INCIDENTAL OR CONSEQUENTIAL DAMAGES, SO THE ABOVE LIMITATION OR EXCLUSION MAY NOT APPLY TO YOU.

THIS LIMITED WARRANTY GIVES YOU SPECIFIC LEGAL RIGHTS, AND YOU MAY ALSO HAVE OTHER RIGHTS WHICH VARY FROM STATE TO STATE IN THE U.S., PROVINCE TO PROVINCE IN CANADA AND FROM COUNTRY TO COUNTRY.

THIS LIMITED WARRANTY APPLIES ONLY TO ITEMS SOLD WITHIN THE UNITED STATES OF AMERICA, CANADA AND THE COMMONWEALTH OF PUERTO RICO. FOR WARRANTY COVERAGE WITHIN OTHER COUNTRIES, CONTACT THE WEN CUSTOMER SUPPORT LINE. FOR WARRANTY PARTS OR PRODUCTS REPAIRED UNDER WARRANTY SHIPPING TO ADDRESSES OUTSIDE OF THE CONTIGUOUS UNITED STATES, ADDITIONAL SHIPPING CHARGES MAY APPLY.