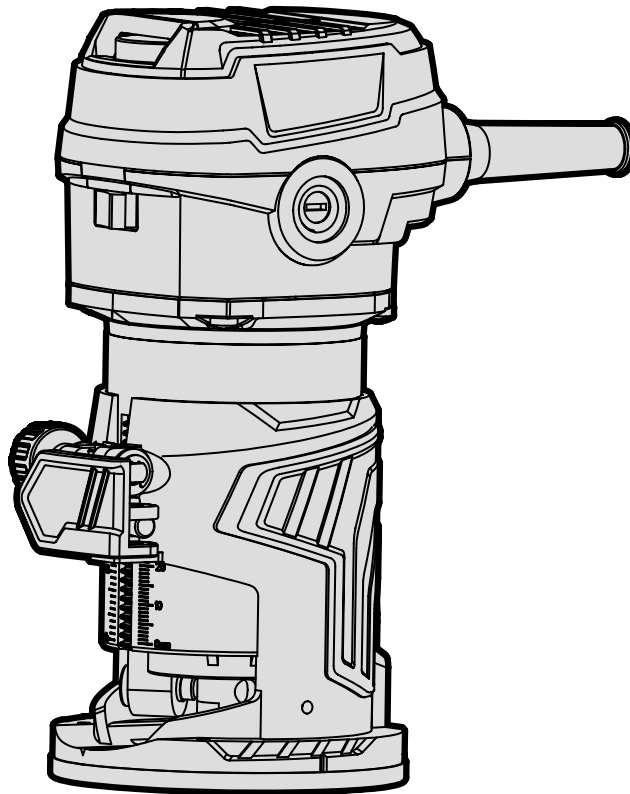




MODEL RT1460

VARIABLE SPEED TRIM ROUTER

Instruction Manual



NEED HELP? CONTACT US!

Have product questions? Need technical support? Please feel free to contact us:



1-847-429-9263 (M-F 8AM-5PM CST)



TECHSUPPORT@WENPRODUCTS.COM

IMPORTANT: Your new tool has been engineered and manufactured to WEN's highest standards for dependability, ease of operation, and operator safety. When properly cared for, this product will supply you years of rugged, trouble-free performance. Pay close attention to the rules for safe operation, warnings, and cautions. If you use your tool properly and for its intended purpose, you will enjoy years of safe, reliable service.

For replacement parts and the most up-to-date instruction manuals, visit ***WENPRODUCTS.COM***

CONTENTS


WELCOME	3
Introduction	3
Specifications.....	3
SAFETY	4
General Safety Rules	4
Electrical Information	6
Electric Router Safety Warnings.....	7
BEFORE OPERATING	8
Know Your Electric Router	8
Assembly & Adjustment.....	10
OPERATION & MAINTENANCE	14
Operation	14
Maintenance.....	17
Troubleshooting Guide	18
Exploded View & Parts List.....	19
Warranty Statement	21
Router Bits.....	22

To purchase replacement parts or accessories for your tool, visit ***WENPRODUCTS.COM***

WEN offers a full lineup of router bits for all your routing needs. See p. 17 for more information.

INTRODUCTION

Thanks for purchasing the WEN Trim Router. We know you are excited to put your tool to work, but first, please take a moment to read through the manual. Safe operation of this tool requires that you read and understand this operator's manual and all the labels affixed to the tool. This manual provides information regarding potential safety concerns, as well as helpful assembly and operating instructions for your tool.

 Indicates danger, warning, or caution. The safety symbols and the explanations with them deserve your careful attention and understanding. Always follow the safety precautions to reduce the risk of fire, electric shock or personal injury. However, please note that these instructions and warnings are not substitutes for proper accident prevention measures.

NOTE: The following safety information is not meant to cover all possible conditions and situations that may occur. WEN reserves the right to change this product and specifications at any time without prior notice.

At WEN, we are continuously improving our products. If you find that your tool does not exactly match this manual, please visit wenproducts.com for the most up-to-date manual or contact our customer service at **1-847-429-9263**.

Keep this manual available to all users during the entire life of the tool and review it frequently to maximize safety for both yourself and others.

SPECIFICATIONS

Model Number	RT1460
Motor	120V, 60 Hz, 6A
Variable Speed	12000 - 30000 RPM
Collet Size	1/4 Inch
Product Weight	3.75 Pounds
Product Dimensions	4.5 in. x 3 in. x 7-5/8 in.

INCLUDED ACCESSORIES

No.	Description	Qty.
1	Trim Router	1
2	Straight Base	1
3	Trimmer Guide	1
4	Straight Guide	1
5	Wrenches	2

GENERAL SAFETY RULES

 **WARNING!** Read all safety warnings and all instructions. Failure to follow the warnings and instructions may result in electric shock, fire and/or serious injury.

Safety is a combination of common sense, staying alert and knowing how your item works. The term “power tool” in the warnings refers to your mains-operated (corded) power tool or battery-operated (cordless) power tool.

SAVE THESE SAFETY INSTRUCTIONS.

WORK AREA SAFETY

- 1. Keep work area clean and well lit.** Cluttered or dark areas invite accidents.
- 2. Do not operate power tools in explosive atmospheres, such as in the presence of flammable liquids, gases or dust.** Power tools create sparks which may ignite the dust or fumes.
- 3. Keep children and bystanders away while operating a power tool.** Distractions can cause you to lose control.

ELECTRICAL SAFETY

- 1. Power tool plugs must match the outlet. Never modify the plug in any way. Do not use any adapter plugs with earthed (grounded) power tools.** Unmodified plugs and matching outlets will reduce risk of electric shock.
- 2. Avoid body contact with earthed or grounded surfaces such as pipes, radiators, ranges and refrigerators.** There is an increased risk of electric shock if your body is earthed or grounded.
- 3. Do not expose power tools to rain or wet conditions.** Water entering a power tool will increase the risk of electric shock.
- 4. Do not abuse the cord. Never use the cord for carrying, pulling or unplugging the power tool. Keep cord away from heat, oil, sharp edges or moving parts.** Damaged or entangled cords increase the risk of electric shock.
- 5. When operating a power tool outdoors, use an extension cord suitable for outdoor use.** Use of a cord suitable for outdoor use reduces the risk of electric shock.

6. If operating a power tool in a damp location is unavoidable, use a ground fault circuit interrupter (GFCI) protected supply. Use of a GFCI reduces the risk of electric shock.

PERSONAL SAFETY

- 1. Stay alert, watch what you are doing and use common sense when operating a power tool. Do not use a power tool while you are tired or under the influence of drugs, alcohol or medication.** A moment of inattention while operating power tools may result in serious personal injury.
- 2. Use personal protective equipment. Always wear eye protection.** Protective equipment such as a respiratory mask, non-skid safety shoes and hearing protection used for appropriate conditions will reduce the risk of personal injury.
- 3. Prevent unintentional starting. Ensure the switch is in the off-position before connecting to power source and/or battery pack, picking up or carrying the tool.** Carrying power tools with your finger on the switch or energizing power tools that have the switch on invites accidents.
- 4. Remove any adjusting key or wrench before turning the power tool on.** A wrench or a key left attached to a rotating part of the power tool may result in personal injury.
- 5. Do not overreach. Keep proper footing and balance at all times.** This enables better control of the power tool in unexpected situations.
- 6. Dress properly. Do not wear loose clothing or jewelry. Keep your hair and clothing away from moving parts.** Loose clothes, jewelry or long hair can be caught in moving parts.

GENERAL SAFETY RULES

 **WARNING!** Read all safety warnings and all instructions. Failure to follow the warnings and instructions may result in electric shock, fire and/or serious injury.

Safety is a combination of common sense, staying alert and knowing how your item works. The term “power tool” in the warnings refers to your mains-operated (corded) power tool or battery-operated (cordless) power tool.

SAVE THESE SAFETY INSTRUCTIONS.

7. If devices are provided for the connection of dust extraction and collection facilities, ensure these are connected and properly used. Use of dust collection can reduce dust-related hazards.

POWER TOOL USE AND CARE

1. Do not force the power tool. Use the correct power tool for your application. The correct power tool will do the job better and safer at the rate for which it was designed.

2. Do not use the power tool if the switch does not turn it on and off. Any power tool that cannot be controlled with the switch is dangerous and must be repaired.

3. Disconnect the plug from the power source and/or the battery pack from the power tool before making any adjustments, changing accessories, or storing power tools. Such preventive safety measures reduce the risk of starting the power tool accidentally.

4. Store idle power tools out of the reach of children and do not allow persons unfamiliar with the power tool or these instructions to operate the power tool. Power tools are dangerous in the hands of untrained users.

5. Maintain power tools. Check for misalignment or binding of moving parts, breakage of parts and any other condition that may affect the power tool's operation. If damaged, have the power tool repaired before use. Many accidents are caused by poorly maintained power tools.

6. Keep cutting tools sharp and clean. Properly maintained cutting tools with sharp cutting edges are less likely to bind and are easier to control.

7. Use the power tool, accessories and tool bits, etc. in accordance with these instructions, taking into account the working conditions and the work to be performed. Use of the power tool for operations different from those intended could result in a hazardous situation.

8. Use clamps to secure your workpiece to a stable surface. Holding a workpiece by hand or using your body to support it may lead to loss of control.

9. KEEP GUARDS IN PLACE and in working order.

SERVICE

1. Have your power tool serviced by a qualified repair person using only identical replacement parts. This will ensure that the safety of the power tool is maintained.

CALIFORNIA PROPOSITION 65 WARNING

Some dust created by power sanding, sawing, grinding, drilling, and other construction activities may contain chemicals, including lead, known to the State of California to cause cancer, birth defects, or other reproductive harm. Wash hands after handling. Some examples of these chemicals are:

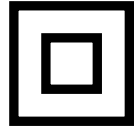
- Lead from lead-based paints.
- Crystalline silica from bricks, cement, and other masonry products.
- Arsenic and chromium from chemically treated lumber.

Your risk from these exposures varies depending on how often you do this type of work. To reduce your exposure to these chemicals, work in a well-ventilated area with approved safety equipment such as dust masks specially designed to filter out microscopic particles.

ELECTRICAL INFORMATION

DOUBLE-INSULATED TOOLS

The tool's electrical system is double-insulated where two systems of insulation are provided. This eliminates the need for the usual three-wire grounded power cord. Double-insulated tools do not need to be grounded, nor should a means for grounding be added to the product. All exposed metal parts are isolated from the internal metal motor components with protecting insulation.



IMPORTANT: Servicing a double-insulated product requires extreme care and knowledge of the system, and should be done only by qualified service personnel using identical replacement parts. Always use original factory replacement parts when servicing.

1. Polarized Plugs. To reduce the risk of electric shock, this equipment has a polarized plug (one blade is wider than the other). This plug will fit in a polarized outlet only one way. If the plug does not fit fully in the outlet, reverse the plug. If it still does not fit, contact a qualified electrician to install a proper outlet. Do not modify the machine plug or the extension cord in any way.

2. Ground fault circuit interrupter protection (GFCI) should be provided on the circuit or outlet used for this power tool to reduce the risk of electric shock.

3. Service and repair. To avoid danger, electrical appliances must only be repaired by a qualified service technician using original replacement parts.

GUIDELINES AND RECOMMENDATIONS FOR EXTENSION CORDS

When using an extension cord, be sure to use one heavy enough to carry the current your product will draw. An undersized cord will cause a drop in line voltage, resulting in loss of power and overheating. The table below shows the correct size to be used according to cord length and ampere rating. When in doubt, use a heavier cord. The smaller the gauge number, the heavier the cord.


AMPERAGE	REQUIRED GAUGE FOR EXTENSION CORDS			
	25 ft.	50 ft.	100 ft.	150 ft.
6A	18 gauge	16 gauge	14 gauge	12 gauge

1. Examine extension cord before use. Make sure your extension cord is properly wired and in good condition. Always replace a damaged extension cord or have it repaired by a qualified person before using it.

2. Do not abuse extension cord. Do not pull on cord to disconnect from receptacle; always disconnect by pulling on plug. Disconnect the extension cord from the receptacle before disconnecting the product from the extension cord. Protect your extension cords from sharp objects, excessive heat and damp/wet areas.

3. Use a separate electrical circuit for your tool. This circuit must not be less than a 12-gauge wire and should be protected with a 15A time-delayed fuse. Before connecting the motor to the power line, make sure the switch is in the OFF position and the electric current is rated the same as the current stamped on the motor nameplate. Running at a lower voltage will damage the motor.

TRIM ROUTER SAFETY WARNINGS

 **WARNING!** Do not operate the power tool until you have read and understood the following instructions and the warning labels.

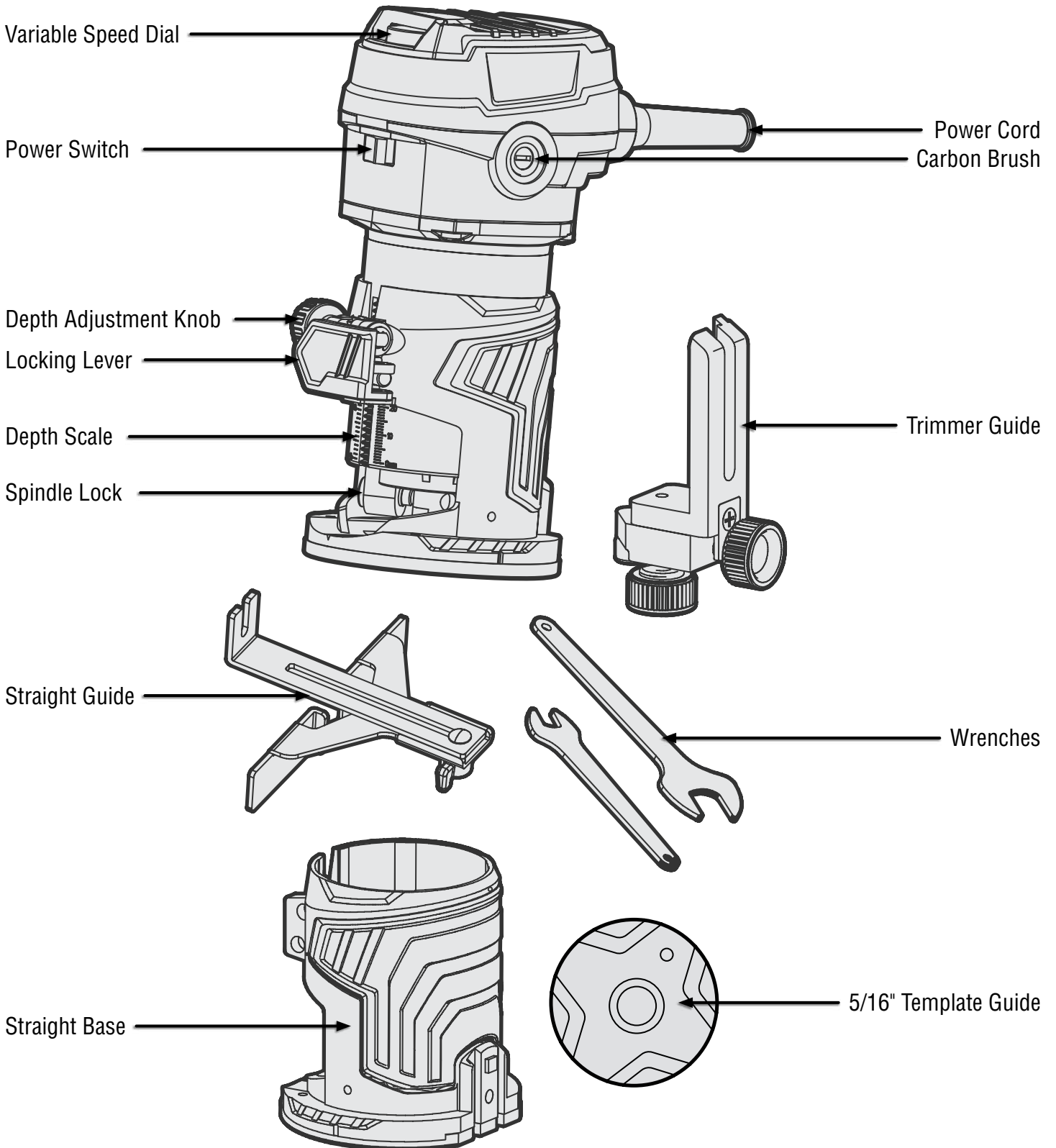
ELECTRIC ROUTER SAFETY

1. The speed range of the router is 12,000 - 30,000 RPM. Make sure that the router bit you wish to use is suitable for your router. Check the router bit's maximum speed rating specified by the manufacturer. It must be capable of operating at the maximum rotation speed of 30,000 RPM.
2. Never use dull or damaged router bits. Damaged bits may break during use, and dull bits require additional force to operate, which may cause you to lose control. Any cracked or broken bit must be replaced before operation.
3. Before installing a router bit, make sure the power cord plug is removed from the electrical outlet and the router is switched to off.
4. The router bit shank must fit the size of the collet. If the router bit cannot be firmly gripped by the collet, it will become loose during operation, resulting in serious personal injury.
5. Never start the tool when the router bit is touching the workpiece.
6. Make sure the collet nut and all adjustment knobs are securely tightened before operating the router. Loose adjustment knobs and collet nuts can cause unexpected shifts in momentum, increasing the chances of personal injury.
7. Always wear ANSI-approved safety goggles and hearing protection when operating the router.
8. Before operating the router, be sure to run the machine without load for some time to check for runnout due to improper installation of the router bit.
9. Avoid cutting nails and staples with the router. Before operation, inspect the workpiece to make sure the work surface is free from nails and other foreign objects. Cutting into foreign objects can cause unexpected injury.
10. Always properly attach the workpiece to a stable platform using clamps or other securing devices. Never hold the workpiece in your hands or across your leg during operation.
11. Hold the trim router straight base firmly with one hand and the head of the router body with the other.
12. Keep in mind the rotational direction of the router bit before attempting to operate. Always cut with the correct direction of the feed in mind (see page 13, "Direction of Feed").
13. Do not set the router down until the motor has come to a complete stop. The exposed spinning bit can cause serious injury or cause the router to move unexpectedly.
14. Before removing the router bit from the workpiece, make sure that the power switch is turned off and the router bit has come to a complete stop.
15. To reduce the risk of getting burned, do not touch the router bit immediately after use as it may get hot during operation.
16. Always unplug the tool before changing bits or making adjustments. Failure to do so can result in the tool starting unexpectedly.

KNOW YOUR TRIM ROUTER

TOOL PURPOSE

Make intricate patterns in both the exterior and interior of your workpieces using your WEN Trim Router. Refer to the following diagrams to become familiarized with all the parts and controls of your tool. The components will be referred to later in the manual for assembly and operation instructions.



KNOW YOUR TRIM ROUTER

⚠ WARNING! Do not attempt to plug in or operate your router until the entire operator's manual has been read and understood. Failure to do so could result in personal injury and damage to the tool.

1. VARIABLE SPEED DIAL

The variable speed dial (Fig. 1 - 1) is located on the head of the trim router and is used to adjust the speed from 12,000 to 30,000 RPM. The appropriate speed will depend on the material being worked on, the bit size, and other conditions. Refer to page 11 'Setting the Router Speed' and Fig. 4 to set the appropriate speed for your project.

2. POWER SWITCH

The power switch (Fig. 1 - 2) is located on the front of the router head. Press the switch to "ON" to power on the tool. Always ensure you are holding the router safely and securely before starting the tool. This router is equipped with a soft start function for safety operation.

When the router is switched on, the motor will slowly speed up until it reaches the set speed. This gives you time to adjust your grasp on the router base and router head to gain control of the router.

3. DEPTH ADJUSTMENT KNOB

Turn the depth adjustment knob (Fig. 1 - 3) to adjust the height of the straight guide base with the rack-and-pinion gear system. When adjusting the height of the straight base, make sure the locking lever is in the unlocked position.

4. STRAIGHT GUIDE BASE LOCKING LEVER

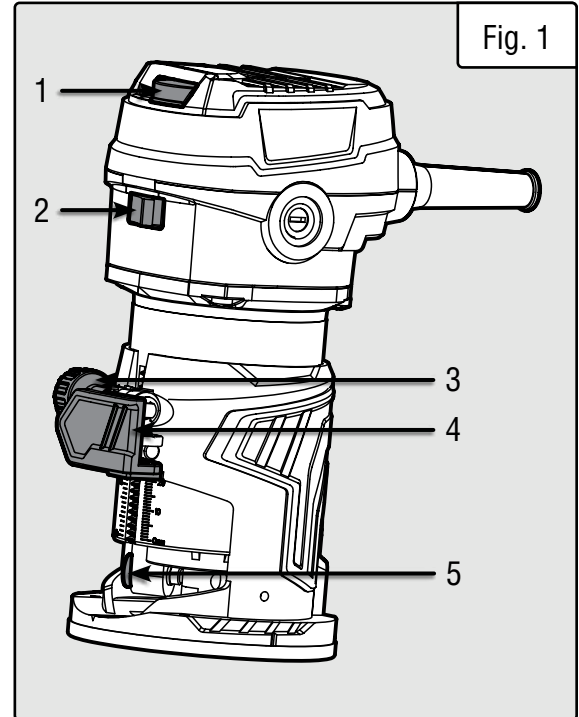
The plunge lock lever (Fig. 1 - 4) is located opposite the depth adjustment knob. Push the locking lever closed to lock the height of the straight guide base in place.

5. SPINDLE LOCK

Press down the spindle lock button (Fig. 1 - 5) to lock the spindle when tightening the collet nut. Make sure to release the spindle lock button before operation.

6. 1/4" COLLET & NUT ASSEMBLY

The 1/4" collet & nut assembly allows you to easily install router bits with a 1/4 inch shank. Insert the bit into the collet and tighten the nut with the included wrench. Fully tighten the nut and check that the router bit is secure before turning on the router. Loosen the collet nut to uninstall the bit.



TIP: WEN offers a full lineup of premium-quality router bits for all your needs. See page 17 for router bit options.

ASSEMBLY & ADJUSTMENTS

INSTALLING & REMOVING ROUTER BITS

⚠ WARNING! Router bits are extremely sharp. Take care when handling bits as they can cause serious injury.

Make sure that the router bit you wish to use is suitable for your router. The bit must be capable of operating at the router's maximum rotational speed of 30,000 RPM. Before use, check the bit carefully for any cracks or chips. Do not use a bit that shows signs of damage. Carefully read and follow all instructions.

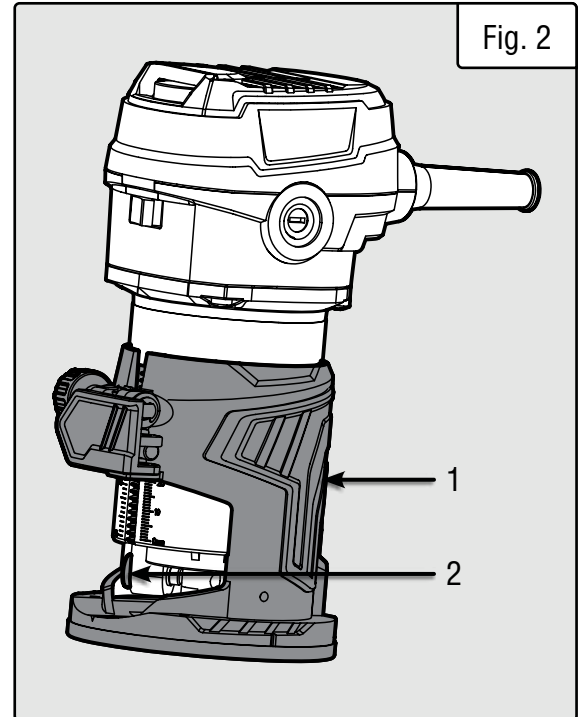
1. Switch off the router and unplug the cord.
2. Remove the straight guide base (Fig. 2 - 1) from the trim router body. Place the trim router on its head on a flat surface.
3. To insert a 1/4" shank bit:
Loosen the collet nut while holding the spindle lock and insert the router bit / shank adapter assembly into the 1/4" collet as far as it will go and retract the bit by 1/16" to 1/8". Finger tighten the collet nut until the bit is held in place.
4. Press in the spindle lock button and fully tighten the collet nut with the included wrench. Remember to remove the wrench from the collet nut. Check that the bit is securely installed.

⚠ CAUTION! The router bit shank must fit the size of the collet. If the router bit cannot be firmly gripped by the collet, it will become loose during operation and may result in serious personal injury.

5. Re-install the straight guide base (Fig. 2 - 1) on the router. Adjust the height of the straight guide base so that the router bit does not protrude from the bottom of the base. (Some bits may be too long to be fully-enclosed in the straight guide base, which is okay).
6. Plug in and turn on the router to check for any abnormal vibration or wobbling. This may indicate that the bit is damaged or improperly installed.
7. To remove the router bit, make sure the router is switched off and the cord is unplugged. Press down the spindle lock and loosen the collet nut with the wrench. Remove the bit from the collet.

WHAT YOU'LL NEED:

- Wrench
- Router Bit (Not Included)
- 1/4" Collet



ASSEMBLY & ADJUSTMENTS

SETTING THE CUTTING DEPTH

The cutting depth is indicated by markings etched into shaft of the router body (Fig. 3 - 1).

1. Install the desired router bit as described in section “Installing & Removing Router Bits” on page 10.
2. Insert the router into the straight base (Fig. 3 - 2) by aligning the rack of the router shaft with the pinion gear of the straight base. Make sure the locking lever (Fig. 3 - 3) of the straight base is in the open position.
3. Lay the trim router and base on a flat surface. Use the adjustment knob (Fig. 3 - 4) to raise or lower the router shaft and bit to the desired height.
4. When setting the cutting depth, start by aligning the tip of the router blade with the bottom of the straight base so that the bit is not protruding past the base. Note the indicated depth on the depth scale, and increase that depth by your desired cutting height.
5. Once the desired cutting depth is set, close the locking lever (Fig. 3 - 3) to lock the straight base in place.

DEPTH OF CUT

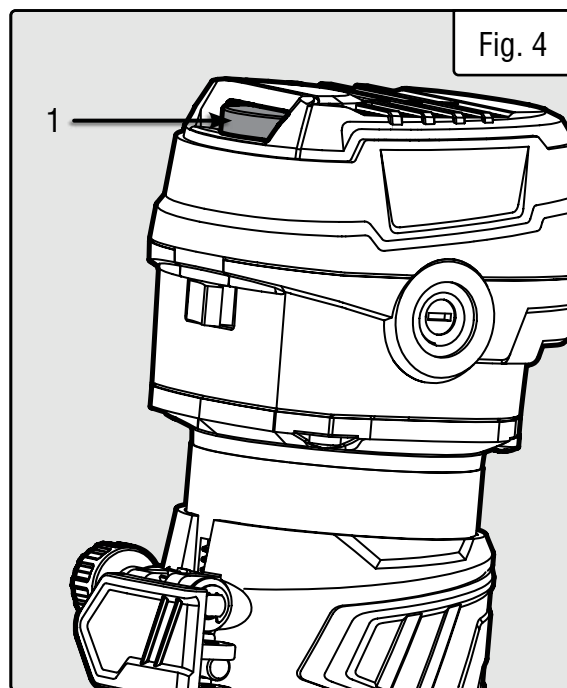
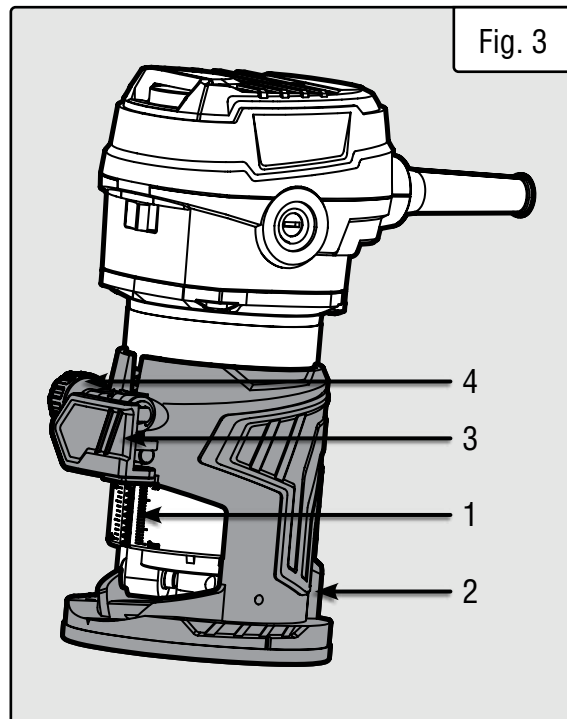
The depth of cut that the router is able to make with each pass depends on the size of the bit and the material being worked on. Making a deep cut in a single pass could overload the motor and reduce the quality of the cut. Always test your cuts on a scrap piece of material similar to your workpiece to confirm the cutting depth.

When making a deep cut, progress to the desired depth by making several consecutively deeper cuts. This will help achieve clean cuts and reduce damage to the router bit and workpiece. Adjust the depth of the straight base by 1/8th inch increments until the desired cutting depth is reached.

SETTING THE ROUTER SPEED

The router is equipped with a variable speed dial (Fig. 4 - 1) that can control the bit rotation speed from 12,000 and 30,000 RPM. If the router speed is too high, friction will generate excessive heat and burn the workpiece. If the router speed is too low, the bit will tear the material and result in rough or uneven cuts. The optimal rotation speed of a particular router bit varies, depending on the bit's diameter, the material being cut, the cutting depth, and the cut's style.

In general, the larger the bit's diameter, the slower you should set the router speed. This is because larger bits have a greater tendency to generate vibration at high speeds. Refer to the instructions and maximum speed specified by the manufacturer of your router bit. You can also use the chart below (Fig. 5 - Router Speed and Feed Rate Settings Chart) as a rough reference for setting the router speed. To best determine the router speed, test the speed on a scrap piece of the same material. This will allow you to see the cut result and make adjustments before working on the actual workpiece.



ASSEMBLY & ADJUSTMENTS

SETTING THE ROUTER SPEED (CONT.)

Please refer to the chart below for speed dial settings. **NOTE:** These are general guidelines and not hard-and-fast numbers.

Dial Setting	Speed (RPM)
Speed 1	12,000
Speed 2	16,000
Speed 3	21,500
Speed 4	25,000
Speed 5	28,500
Speed 6	30,000

CAUTION! The fan does not cool the motor effectively at lower speeds and may cause the motor to overheat. Do not run the tool at low speeds for extended periods. Occasionally run the router at high speed with no load to allow the motor to cool down.

FEED RATE

The rate at which the router is moved through the material also has a significant effect on the quality of the cut and the lifetime of your router and bits. Moving the router through the cut too fast or overloading the tool will cause the bit to take larger pieces of material with each rotation, resulting in a rough, uneven cut. Moving the router through the workpiece too slowly tends to burn the workpiece and possibly overheat the bit.

The proper feed rate to use depends on the bit size, the material being cut, the depth of cut and the speed selected. Use the chart below (Fig. 5 - Router Speed and Feed Rate Settings Chart) as a reference for how fast your router should be moved along the workpiece. The best way to ensure that you get a quality cut is to practice on a scrap piece of the same material to get a feel for what feed rate to use. This will also show you exactly how the cut will look and allow you to check your cutting depth.

Material	Bit Diameter (inches)					Feed Rate
	≤1/2	3/4	1	1-1/4	≥1-1/2	
	Router Speed Setting					
Pine	5-max	5-6	4-6	3-5	3-5	Fast
Oak	5-max	4-6	4-5	3-5	2-4	Moderate
Cherry	3-5	3-5	3-4	2-4	2-3	Moderate
Maple	3-5	3-5	3-4	2-4	2-3	Slow
Particleboard and MDF	5-max	5-max	4-max	3-5	3-5	Fast
Soft Plastics	3-5	3-5	3-4	2-4	1-3	Slow
Hard Plastics	2-4	1-4	1-3	1-2	1-2	Slow
Aluminum	3-4	3-4	2-3	2-3	1-3	Slow

Fig. 5 - Router Speed and Feed Rate Settings Chart

ASSEMBLY & ADJUSTMENTS

DIRECTION OF FEED

If you are looking down from the top of the router, the bit will revolve in a clockwise direction. This gives the router a tendency to twist counterclockwise in your hands, particularly when starting the tool.

For maximum safety and control, feed the router in a counterclockwise direction when routing the exterior edges of your workpiece. Feed the router in a clockwise direction when routing the interior of your workpiece (Fig. 6). The edge of the workpiece should always be on the lefthand side of your router. If the router is operated in the reverse direction from what is shown in Fig. 6, the router bit will propel the router along the workpiece at a high speed rate that could cause loss of control and personal injury.

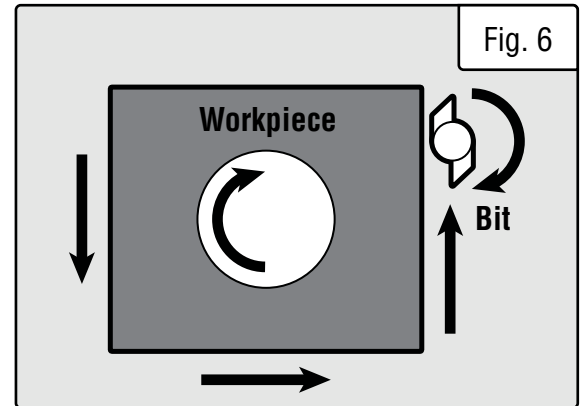


Fig. 6

OPERATION

⚠ WARNING! Make sure all the assembly and adjustment instructions have been read and understood before plugging in your router.

⚠ WARNING! Wear safety glasses to protect your eyes from flying wood chips and dust. Wear hearing protection as the router can be very loud and damage your ears.

ROUTING

1. Clamp down and firmly secure the workpiece.
2. Check that the router is set to a suitable speed and cutting depth.
3. Hold the router firmly with both hands, one hand on the grip surface of the straight base and one hand on the grip surface of the router head.
4. Slowly feed the router bit into the workpiece and progress smoothly through the cut until the cut is complete.
5. Turn the router off and let the bit come to a complete stop before removing the router from the workpiece.

TRIMMING

Trimming is creating a cut by moving the router bit alongside the edge of a workpiece. For trimming, you must select a router bit with a bearing attached to properly guide the bit along the workpiece. Follow the instructions for routing.

NOTE: If the edge where the bearing is running along is laminated or veneered, run some masking tape along it to protect the surface.

When making deep cuts, multiple passes may be needed to create the desired cut. See page 11 “Depth of Cut” on using the depth stop turret to adjust the cutting depth and making consecutive passes.

ASSEMBLY & ADJUSTMENTS

CUTTING ALONG A STRAIGHT EDGE

What you'll need:

- Straight Fence Guide
- Workpiece with a Straight Edge

The straight guide fence is used to create straight cuts along a workpiece with a straight edge that can be followed. To attach the straight cut fence:

1. Attach the straight fence guide (Fig. 7 - 1) to the straight base by loosening the guide knob on the straight base (Fig. 7 - 2). Align the straight fence guide with the straight base and tighten the guide knob.
2. Adjust the offset distance of the straight fence by loosening the straight fence knob (Fig. 7 - 3) and adjusting the position of the fence. Tighten the straight fence knob at the desired position. Make sure all adjustment knobs are securely tightened before operating the trim router.
3. Slide the fence along the straight reference edge of your workpiece, moving the router along the edge in a straight line.

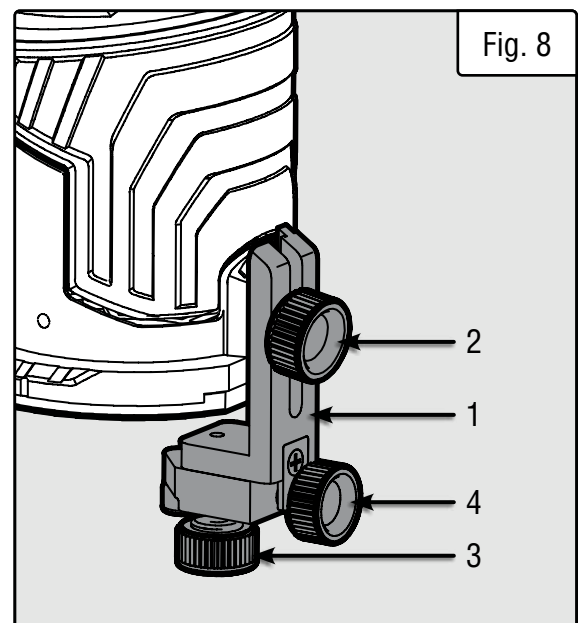
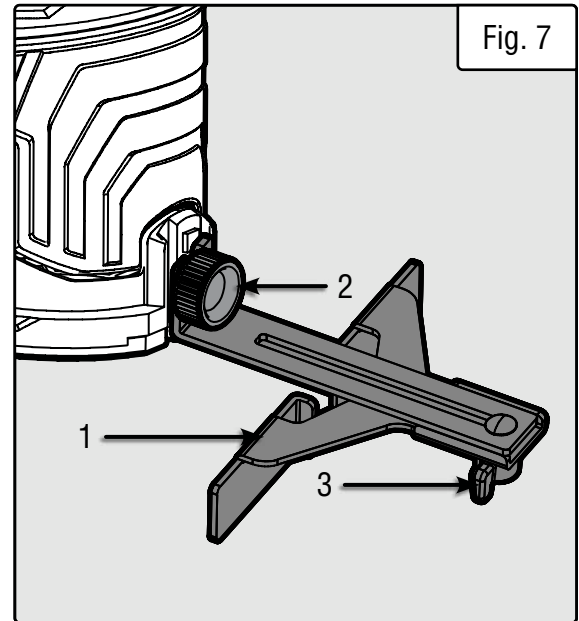
CUTTING ALONG A PROFILE

What you'll need:

- Trim Guide

The trim guide helps maintain an equal cutting distance along the edge of an irregularly shaped workpiece.

1. Mount the trim guide (Fig. 8 - 1) to the straight base by loosening the guide knob (Fig. 8 - 2) on the base and sliding the trim guide into the alignment slots at the rear of the straight base. Tighten the guide knob to secure the trim guide.
2. The trim guide can be adjusted to different vertical depths depending on router bit length and workpiece thickness. Loosen the guide knob (Fig. 8 - 2) on the base and slide the trim guide to the desired height. Make sure to securely tighten the guide knob before using the trim router.
3. The trim guide bearing can be adjusted to different lateral depths depending on the diameter of the router bit and the desired lateral depth of cut. To adjust the lateral depth of the trim guide, first loosen the locking knob (Fig. 8 - 3) on the bottom of the trim guide. To set the lateral depth, rotate the lateral adjustment knob (Fig. 8 - 4) to the desired position. Turn the knob clockwise to increase the lateral cutting depth and counterclockwise decrease the cutting depth.
4. Make sure that all adjustment knobs are securely tightened before operating the trim router.



ASSEMBLY & ADJUSTMENTS

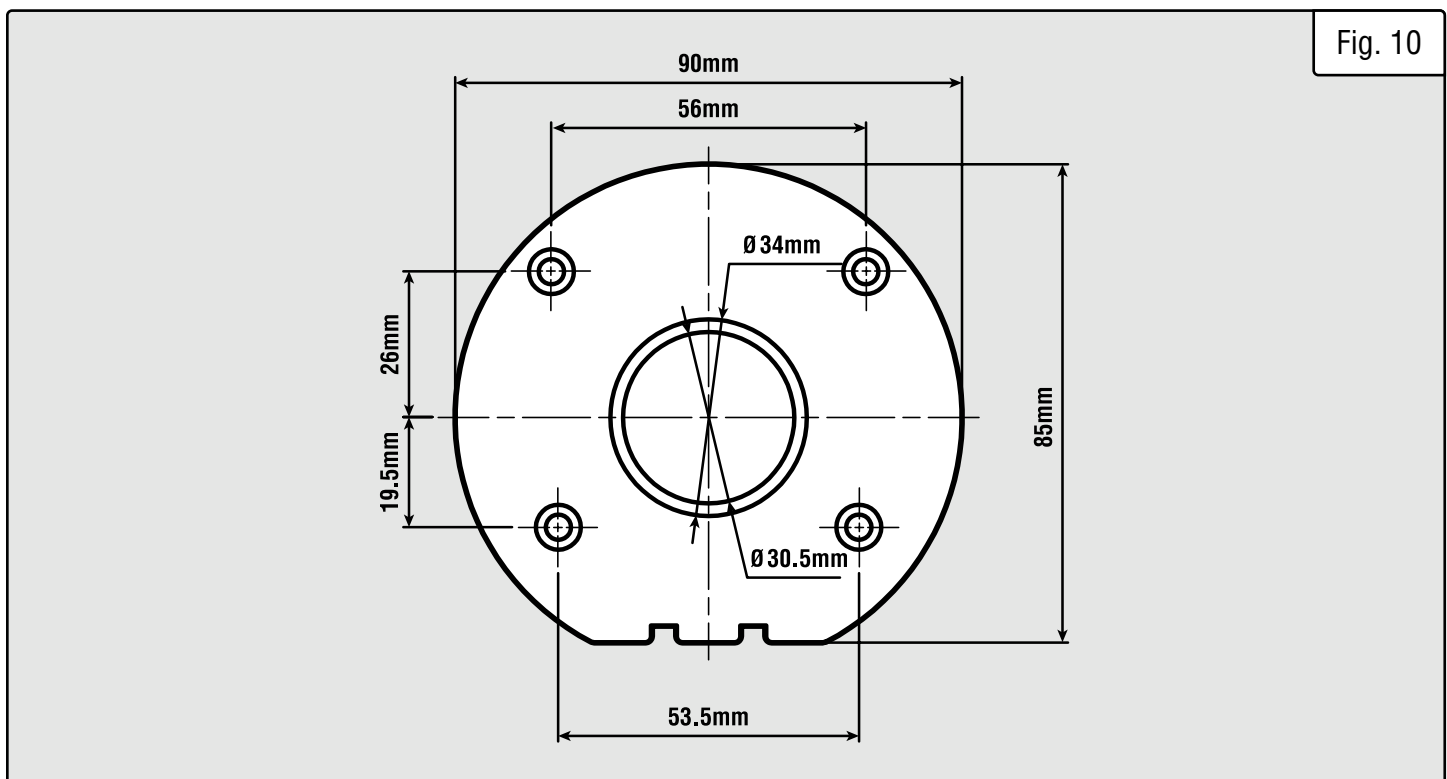
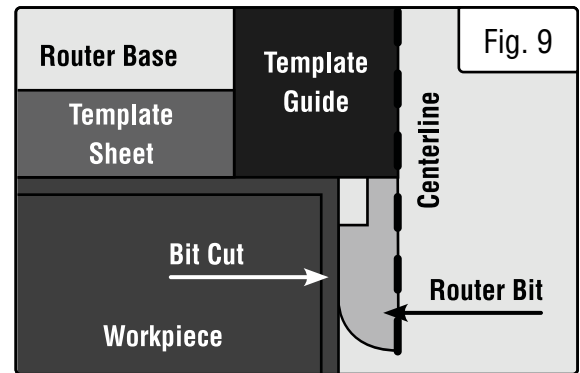
CUTTING WITH A TEMPLATE

The plastic base cover of the straight base is designed to fit standard 1-3/16" template guides. Template guides can be used to accurately duplicate curves and other shapes.

1. Remove the straight base from the trim router.
2. Select a template guide bushing with your desired diameter for your workpiece. Make sure that the inner diameter of your template guide bushing is larger than the router bit.
3. Insert the threaded end of a template guide bushing into the bottom of the straight base. Place a template guide nut inside the straight base and tighten the template nut onto the protruding threads of the guide bushing.
4. Re-install the straight base onto the router.

CUTTING ALONG A STRAIGHT EDGE WITH A TEMPLATE

A template can be created with a jigsaw (or any wood saw capable of cutting a detailed outline) to guide the trim router using a template guide bushing. When creating a template, account for the cutting distance between the cutting edge of the bit and the outer edge of the template bushing.



NOTE: Your WEN Trim Router is compatible with most router tables on the market. Check the router table dimensions against the base diagram in Figure 10 above to confirm compatibility.

MAINTENANCE

⚠ WARNING! To avoid accidents, always disconnect the tool from the power supply before cleaning or performing any maintenance.

CLEANING

1. Regularly clean the router with a soft cloth or compressed air. Remember to wear safety goggles when cleaning tools with compressed air.
2. Regularly clean the router bits and collet carefully to remove dust and chips that have accumulated.

⚠ WARNING! Do not at any time let brake fluids, gasoline, petroleum based products, penetrating oils, etc., come in contact with plastic parts. Chemicals can damage, weaken or destroy plastic which may result in serious personal injury.

CARBON BRUSHES INSPECTION AND REPLACEMENT

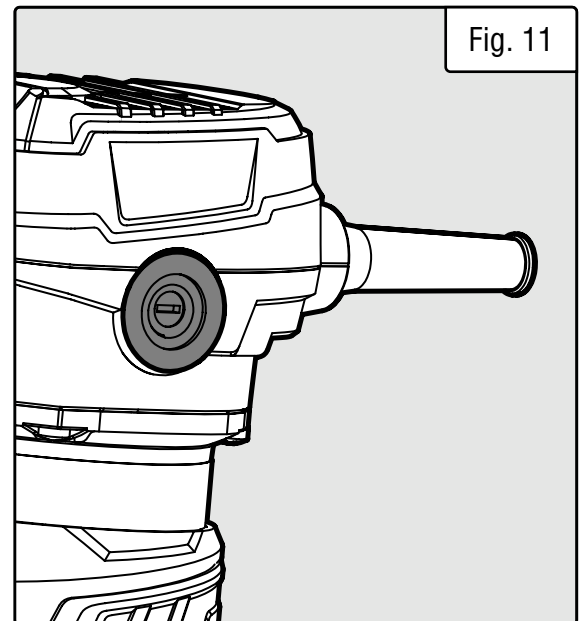
1. Wear on the carbon brushes depends on how frequently and how heavily the router is used. For general use, it is recommended to check the brushes every 6 months.
2. The carbon brush caps are located on both sides of the trim router head (Fig. 11). To access the brushes, unscrew and remove the two brush caps with a flat-head screwdriver.
3. Take out and inspect the carbon brushes. If the brushes are worn to under 1/4" in length, replace them with new carbon brushes and then reinstall the brush caps.

NOTE: Always keep carbon brushes clean and ensure that they slide freely in the brush holders. Double carbon brushes should be replaced at the same time.

NOTE: Replacement carbon brushes can be purchased at wenproducts.com by searching the part number **RT1460-010**.


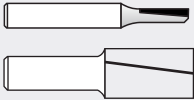

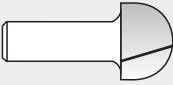



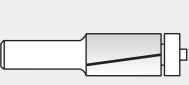




PRODUCT DISPOSAL

When product reaches the end of its lifetime, do not dispose of it with household waste. Electrical and electronic products are hazardous to the environment and human health due to the presence of hazardous substances. Please take product to your local recycling facility for it to be responsibly recycled to minimize impacts on the environment.



ROUTER BITS

WEN offers a line of high quality router bits available for purchase directly from our website. Simply go to wenproducts.com and search the model number for the router bit that matches your needs.

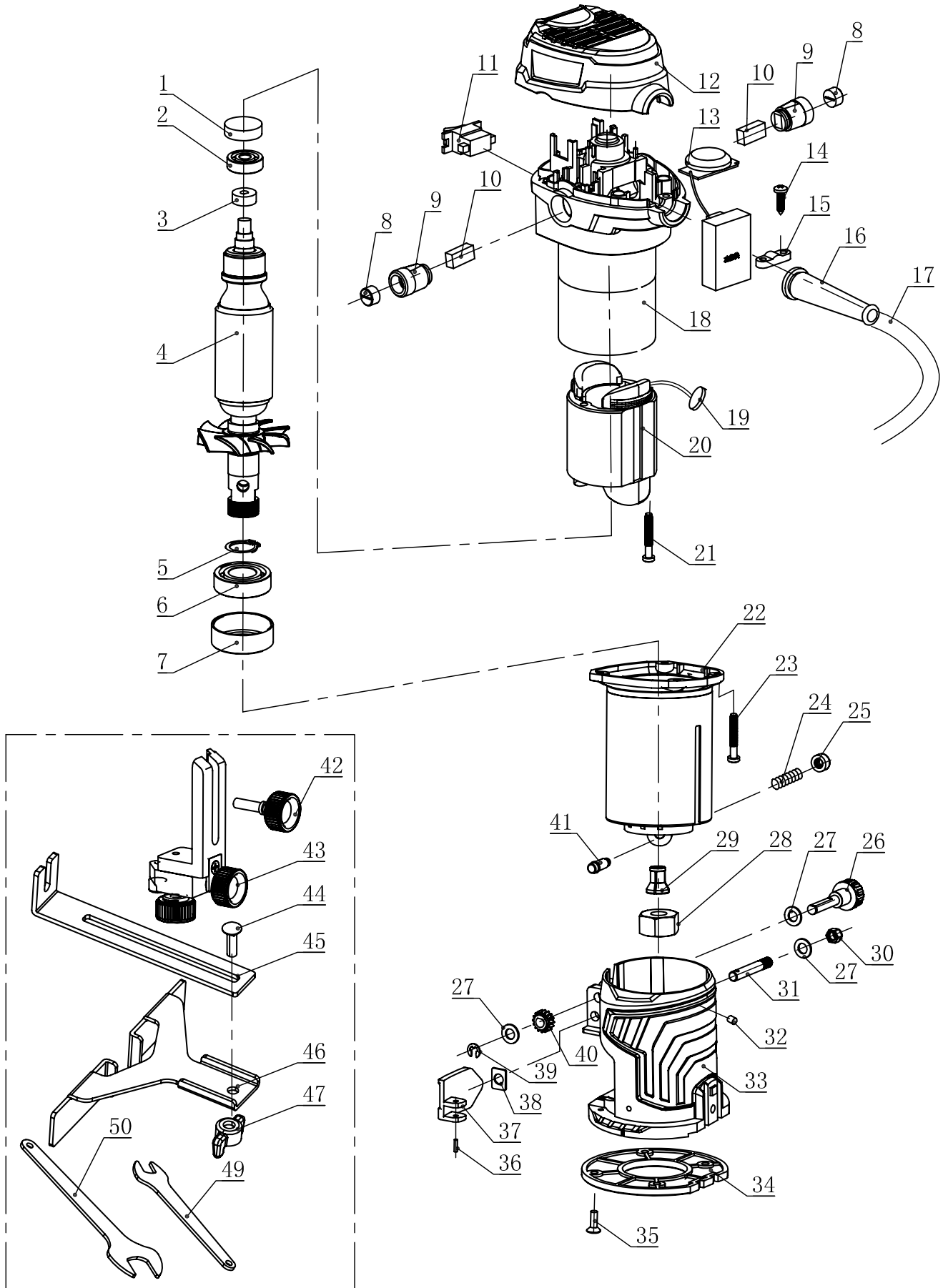
Type	Description	Diameter	Cutting Length	Overall Length	Shank Size	Model No.
  A	Straight Bit - 1 Flute	1/8"	1/2"	2"	1/4"	RB001SF
	Straight Bit - 1 Flute	3/16"	1/2"	1-7/8"	1/4"	RB002SF
	Straight Bit - 1 Flute	1/4"	3/4"	2"	1/4"	RB003SF
	Straight Bit - 2 Flute	1/4"	3/4"	2"	1/4"	RB101FF
	Straight Bit - 2 Flute	1/4"	1"	2-1/4"	1/4"	RB102FF
	Straight Bit - 2 Flute	5/16"	3/4"	2"	1/4"	RB103FF
	Straight Bit - 2 Flute	5/16"	1"	2-1/4"	1/4"	RB104FF
	Straight Bit - 2 Flute	3/8"	3/4"	2"	1/4"	RB105FF
	Straight Bit - 2 Flute	3/8"	1"	2-1/4"	1/4"	RB106FF
	Straight Bit - 2 Flute	1/2"	3/4"	2"	1/4"	RB107FF
	Straight Bit - 2 Flute	1/2"	1-1/4"	2-17/32"	1/4"	RB108FF
	Straight Bit - 2 Flute	1/2"	1-1/4"	2-7/8"	1/2"	RB109FF
	Straight Bit - 2 Flute	5/8"	1-1/4"	2-7/8"	1/2"	RB110FF
	Straight Bit - 2 Flute	3/4"	3/4"	2"	1/4"	RB111FF
Straight Bit - 2 Flute	3/4"	1-1/4"	2-7/8"	1/2"	RB112FF	
Type	Description	Diameter	Cutting Length	Overall Length	Shank Size	Model No.
  B	1/8" Radius Core Box Bit	1/4"	1/4"	1-1/2"	1/4"	RB201CB
	1/8" Radius Core Box Bit	1/2"	3/8"	1-5/8"	1/4"	RB202CB
  C	V-Groove Bit	1/2"	1/2"	1-3/4"	1/4"	RB301VG
	V-Groove Bit	1/2"	5/8"	1-7/8"	1/4"	RB302VG
	V-Groove Bit	5/8"	1/2"	1-3/4"	1/4"	RB303VG
	V-Groove Bit	3/4"	5/8"	1-7/8"	1/4"	RB304VG
  D	Flush Trim & Bearing	1/4"	1/2"	2-1/8"	1/4"	RB401FT
	Flush Trim & Bearing	3/8"	1"	2-5/8"	1/4"	RB402FT
	Flush Trim & Bearing	1/2"	1/2"	2-3/16"	1/4"	RB403FT
	Flush Trim & Bearing	1/2"	1"	2-11/16"	1/4"	RB404FT
	Flush Trim 3 Wing	1/2"	1"	2-11/16"	1/4"	RB501FW
	Flush Trim 3 Wing	1/2"	1-1/2"	3-19/32"	1/2"	RB502FW
  E	1/8" Radius Roundover Bit & Bearing	3/4"	3/8"	2-1/8"	1/4"	RB601RD
	5/16" Radius Roundover Bit & Bearing	1-1/8"	9/16"	2-1/4"	1/4"	RB602RD
  F	Rabbeting Bit	1-1/4"	1/2"	2-1/8"	1/4"	RB701RA

TROUBLESHOOTING GUIDE

⚠ WARNING! Stop using the router immediately if any of the following problems occur or risk serious personal injury. If you have any questions, please contact customer service at **1-847-429-9263** (M-F 8-5 CST), or email techsupport@wenproducts.com.

Problem	Possible Cause	Solution
Motor does not start	1. The power cord is damaged or not properly plugged in.	1. Check the power cord, power plug and the power outlet. Do not use the machine if the power cord is damaged.
	2. The motor carbon brushes are worn.	2. Inspect the carbon brushes and replace as needed (see page 16, “Carbon Brush Inspection and Replacement”).
Carbon brush cap (RT1460-008B) falls out	Temperature and vibration from operation affected the thread tolerance.	Contact customer service at 1-847-429-9263 , M-F 8-5 CST for a replacement carbon brush cap (part no. RT1460-008B) that will resolve this issue.
Router bit slips in the collet.	1. The collet and mating arbor taper are pitted from acids and oil in the wood and needs cleaning.	1. Remove the collet from the router. Using a plastic scrubbing pad, clean the outer taper of the collet and the interior taper of the arbor. Make sure there is no plastic or metal debris left over from the cleaning and reinsert collet.
	2. The router bit is damaged.	2. Stop using the damaged router bit and replace with a new one.
Routed profile burns	1. The router bit is dull.	1. Replace the router bit.
	2. The router speed is too fast.	2. Reduce the router speed.
	3. The feed speed is too slow.	3. Increase the feed speed.
	4. The material is prone to burning.	4. Take a shallow clean-up pass with a higher feed rate.
	5. If the burn is below the profile, then the router bit guide bearing (if present) is worn.	5. Remove the bit from the router and spin the bearing with your finger. If the bearing spins roughly, it needs to be replaced.
Router vibrates excessively	1. The router bit is not tightened.	1. Fully tighten the collet nut with wrench.
	2. The router bit diameter is too large and goes out of balance.	2. Reduce the router speed. If vibration is severe, do not use the router bit.
	3. The router bit shaft may be bent.	3. Discard the router bit if the shaft is bent.
	4. The router bit bearings may be worn	4. Discard router bit if the bearings are worn.

EXPLODED VIEW & PARTS LIST



EXPLODED VIEW & PARTS LIST

No.	Part No.	Description	Qty.
1	RT1460-001	BEARING SLEEVE	1
2	RT1460-002	BALL BEARING 627	1
3	RT1460-003	MAGNET SLEEVE	1
4	RT1460-004	ARMATURE	1
5	RT1460-005	RETAINING RING 17	1
6	RT1460-006	BALL BEARING 6003	1
7	RT1460-007	BEARING SLEEVE	1
8	RT1460-008B	BRUSH HOLDER CAP	2
9	RT1460-009B	BRUSH HOLDER	2
10	RT1460-010B	CARBON BRUSH	2
11	RT1460-011	SWITCH	1
12	RT1460-012	TOP COVER	1
13	RT1460-013	PCB CONTROLLER	1
14	RT1460-014	TAPPING SCREW ST4x14	2
15	RT1460-015	STRAIN RELIEF	1
16	RT1460-016	CORD GUARD	1
17	RT1460-017	CORD	1
18	RT1460-018B	BRACKET COMPLETE	1
19	RT1460-019	ROUND SPRING	2
20	RT1460-020	STATOR	1
21	RT1460-021	SCREW ST4x65	2
22	RT1460-022	HOUSING	1
23	RT1460-023	TAPPING SCREW ST4x55	4
24	RT1460-024	SPRING 6.5x0.8x16	1
25	RT1460-025	PUSH BUTTON	1

No.	Part No.	Description	Qty.
26	RT1460-026	THUMB SCREW	1
27	RT1460-027	FLAT WASHER 6	3
28	RT1460-028	COLLET NUT	1
29	RT1460-029	COLLET CONE 6mm	1
30	RT1460-030	LOCK NUT M6	1
31	RT1460-031	LOCK SCREW	1
32	RT1460-032	PIN 4x4	1
33	RT1460-033	TRIMMER BASE COMPLETE	1
34	RT1460-034	BASE PROTECTOR	1
35	RT1460-035	BOLT M4x12	4
36	RT1460-036	SPRING PIN 3x14	1
37	RT1460-037	LOCK LEVEL	1
38	RT1460-038	SQUAREWASHER 10x13x1	1
39	RT1460-039	WASHER 4	1
40	RT1460-040	SPUR GEAR	1
41	RT1460-041	PIN	1
42	RT1460-042	LOCK SCREW	1
43	RT1460-043	TRIMMER GUIDE	1
44	RT1460-044	BOLT M6x18	1
45	RT1460-045	STRAIGHT GUIDE	1
46	RT1460-046	STRAIGHT GUIDER HOLDER	1
47	RT1460-047	BUTTERFLY NUT M6	1
49	RT1460-049	WRENCH, 13MM	1
50	RT1460-050	WRENCH, 22MM	1

WARRANTY STATEMENT

WEN Products is committed to building tools that are dependable for years. Our warranties are consistent with this commitment and our dedication to quality.

LIMITED WARRANTY OF WEN PRODUCTS FOR HOME USE

GREAT LAKES TECHNOLOGIES, LLC (“Seller”) warrants to the original purchaser only, that all WEN consumer power tools will be free from defects in material or workmanship during personal use for a period of two (2) years from date of purchase or 500 hours of use; whichever comes first. Ninety days for all WEN products if the tool is used for professional or commercial use. Purchaser has 30 days from the date of purchase to report missing or damaged parts.

SELLER’S SOLE OBLIGATION AND YOUR EXCLUSIVE REMEDY under this Limited Warranty and, to the extent permitted by law, any warranty or condition implied by law, shall be the replacement of parts, without charge, which are defective in material or workmanship and which have not been subjected to misuse, alteration, careless handling, misrepair, abuse, neglect, normal wear and tear, improper maintenance, or other conditions adversely affecting the Product or the component of the Product, whether by accident or intentionally, by persons other than Seller. To make a claim under this Limited Warranty, you must make sure to keep a copy of your proof of purchase that clearly defines the Date of Purchase (month and year) and the Place of Purchase. Place of Purchase must be a direct vendor of Great Lakes Technologies, LLC. Purchasing through third party vendors, including but not limited to garage sales, pawn shops, resale shops, or any other secondhand merchant, voids the warranty included with this product. Contact techsupport@wenproducts.com or 1-847-429-9263 with the following information to make arrangements: your shipping address, phone number, serial number, required part numbers, and proof of purchase. Damaged or defective parts and products may need to be sent to WEN before the replacements can be shipped out.

Upon the confirmation of a WEN representative, your product may qualify for repairs and service work. When returning a product for warranty service, the shipping charges must be prepaid by the purchaser. The product must be shipped in its original container (or an equivalent), properly packed to withstand the hazards of shipment. The product must be fully insured with a copy of the proof of purchase enclosed. There must also be a description of the problem in order to help our repairs department diagnose and fix the issue. Repairs will be made and the product will be returned and shipped back to the purchaser at no charge for addresses within the contiguous United States.

THIS LIMITED WARRANTY DOES NOT APPLY TO ITEMS THAT WEAR OUT FROM REGULAR USAGE OVER TIME, INCLUDING BELTS, BRUSHES, BLADES, BATTERIES, ETC. ANY IMPLIED WARRANTIES SHALL BE LIMITED IN DURATION TO TWO (2) YEARS FROM DATE OF PURCHASE. SOME STATES IN THE U.S. AND SOME CANADIAN PROVINCES DO NOT ALLOW LIMITATIONS ON HOW LONG AN IMPLIED WARRANTY LASTS, SO THE ABOVE LIMITATION MAY NOT APPLY TO YOU.

IN NO EVENT SHALL SELLER BE LIABLE FOR ANY INCIDENTAL OR CONSEQUENTIAL DAMAGES (INCLUDING BUT NOT LIMITED TO LIABILITY FOR LOSS OF PROFITS) ARISING FROM THE SALE OR USE OF THIS PRODUCT. SOME STATES IN THE U.S. AND SOME CANADIAN PROVINCES DO NOT ALLOW THE EXCLUSION OR LIMITATION OF INCIDENTAL OR CONSEQUENTIAL DAMAGES, SO THE ABOVE LIMITATION OR EXCLUSION MAY NOT APPLY TO YOU.

THIS LIMITED WARRANTY GIVES YOU SPECIFIC LEGAL RIGHTS, AND YOU MAY ALSO HAVE OTHER RIGHTS WHICH VARY FROM STATE TO STATE IN THE U.S., PROVINCE TO PROVINCE IN CANADA AND FROM COUNTRY TO COUNTRY.

THIS LIMITED WARRANTY APPLIES ONLY TO ITEMS SOLD WITHIN THE UNITED STATES OF AMERICA, CANADA AND THE COMMONWEALTH OF PUERTO RICO. FOR WARRANTY COVERAGE WITHIN OTHER COUNTRIES, CONTACT THE WEN CUSTOMER SUPPORT LINE. FOR WARRANTY PARTS OR PRODUCTS REPAIRED UNDER WARRANTY SHIPPING TO ADDRESSES OUTSIDE OF THE CONTIGUOUS UNITED STATES, ADDITIONAL SHIPPING CHARGES MAY APPLY.

**THANKS FOR
REMEMBERING**  [®]