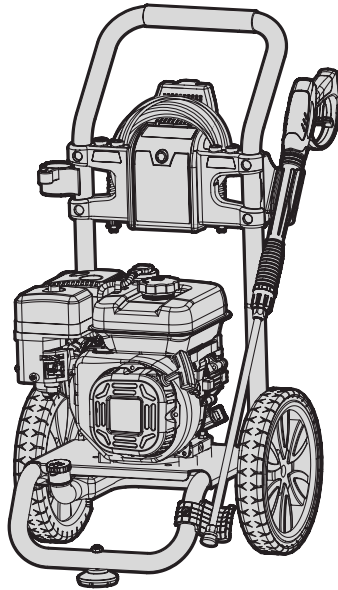




MODEL PW3100

3100-PSI CARB COMPLIANT PRESSURE WASHER



For replacement parts visit
WENPRODUCTS.COM

IMPORTANT:

Your new tool has been engineered and manufactured to WEN's highest standards for dependability, ease of operation, and operator safety. When properly cared for, this product will supply you years of rugged, trouble-free performance. Pay close attention to the rules for safe operation, warnings, and cautions. If you use your tool properly and for its intended purpose, you will enjoy years of safe, reliable service.



NEED HELP? CONTACT US!

Have product questions? Need technical support?
Please feel free to contact us at:



800-232-1195 (M-F 8am-5pm CST)



techsupport@wenproducts.com



WENPRODUCTS.COM

NOTICE: Please refer to wenproducts.com for the most up-to-date instruction manual.

TABLE OF CONTENTS


Specifications.....	2
Introduction	3
Identification & Service Record	4
General Safety Rules	5
Safety Rules for Pressure Washers	7
Know Your Pressure Washer	9
Preparation.....	11
Operation	14
Maintenance.....	17
Storage & Transport.....	21
Troubleshooting Guide	23
Warranty Statement.....	24

SPECIFICATIONS

Model Number	PW3100
Max. Pressure	3100 PSI
Max. Flow	2.5 GPM - 3100 PSI
Nozzles	0°, 15°, 25°, 40°, Soap Nozzle
Gun to Lance Connection	M22 Thread, 14mm Connector
Gun to Hose Connection	M22 Thread, 14mm Connector
Lance	20" Stainless Steel
Lance to Nozzle Connection	Quick Change
Pump	Axial Cam
Detergent Tank Capacity	0.25 Gallon
Hose Inner Diameter	5/16"
Hose Length	30'
Wheel	12"
Weight	67 lbs
ENGINE	
Engine type	4 stroke, OHV, single cylinder with forced air cooling system
Spark plug gap	0.7 - 0.8 mm (0.028 - 0.031 in)
Spark plug torque	1/2 - 3/4 turn after gasket contacts base or 15 ft.lb
Displacement	208 cc
Fuel tank capacity	0.9 gallon 87 octane minimum
Oil capacity	20.3 fl. oz (600 ml)
Lubrication system	Splash lubrication
Noise rating	63 dB at 22 feet
Spark plug	NGK BP7ES

INTRODUCTION

Thanks for purchasing the WEN Pressure Washer. We know you are excited to put your tool to work, but first, please take a moment to read through the manual. Safe operation of this tool requires that you read and understand this operator's manual and all the labels affixed to the tool. This manual provides information regarding potential safety concerns, as well as helpful assembly and operating instructions for your tool.

 **WARNING:** Indicates danger, warning, or caution. The safety symbols and the explanations with them deserve your careful attention and understanding. Always follow the safety precautions to reduce the risk of fire, electric shock and personal injury. However, please note that these instructions and warnings are not substitutes for proper accident prevention measures.

NOTE: The following safety information is not meant to cover all possible conditions and situations that may occur. WEN reserves the right to change this product and specifications at any time without prior notice.

Keep this manual available to all users during the entire life of the tool and review it frequently to maximize safety for both yourself and others.

IDENTIFICATION

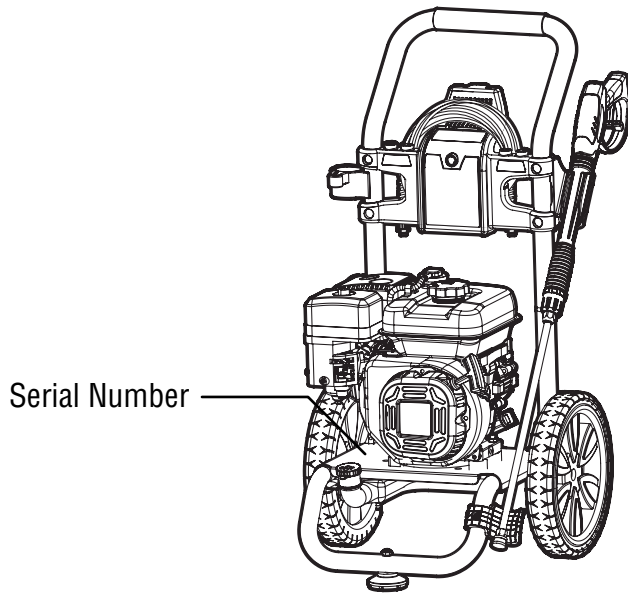
If assistance for information or service is required, please contact the Customer Service Help Line by calling 800-232-1195; customer will be asked to provide pressure washer information when calling.

Refer to the illustration below for the location of the serial number. Record pressure washer information in the spaces provided below.

DATE OF PURCHASE: _____

PURCHASED FROM: _____

PRESSURE WASHER SERIAL NUMBER: _____



SERVICE RECORD

	DATE	DATE	DATE	DATE	DATE	DATE
Change Oil						
Change Spark Plug						
Clean Fuel Tank						
Clean Air Cleaner						
Clean Spark Arrestor						

GENERAL SAFETY RULES

Safety is a combination of common sense, staying alert, and knowing how your item works. SAVE THESE SAFETY INSTRUCTIONS.

⚠ WARNING: Read and understand all warnings, cautions and operating instructions before using this tool. Failure to follow all instructions listed below may result in personal injury and tool damage.

WORK AREA SAFETY

1. Keep work area clean and well lit. Cluttered or dark areas invite accidents.
2. Do not operate power tools in explosive atmospheres, such as in the presence of flammable liquids, gases or dust. Power tools create sparks which may ignite the dust or fumes.
3. Do not expose power tools to rain or wet conditions.
4. Keep children and bystanders away while operating a power tool. Distractions can cause you to lose control.

PERSONAL SAFETY

1. Stay alert, watch what you are doing and use common sense when operating a power tool. Do not use a power tool while you are tired or under the influence of drugs, alcohol or medication. A moment of inattention while operating power tools may result in serious personal injury.
2. Use personal protective equipment. Always wear eye protection. Protective equipment such as a dust mask, non-skid safety shoes and hearing protection used for appropriate conditions will reduce the risk of personal injury.
3. Dress properly. Do not wear loose clothing or jewelry. Keep your hair and clothing away from moving parts. Loose clothes, jewelry or long hair can be caught in moving parts.
4. Prevent unintentional starting. Ensure the switch is in the off-position before connecting to power source and/or battery pack, picking up or carrying the tool. Carrying power tools with your finger on the switch or energizing power tools that have the switch on invites accidents.
5. Remove any adjusting key or wrench before turning the power tool on. A wrench or a key left attached to a rotating part of the power tool may result in personal injury.
6. Do not overreach. Keep proper footing and balance at all times. This enables better control of the power tool in unexpected situations.
7. If devices are provided for the connection of dust extraction and collection facilities, ensure these are connected and properly used. Use of dust collection can reduce dust-related hazards.

GENERAL SAFETY RULES

POWER TOOL USE AND CARE

1. Do not force the power tool. Use the correct power tool for your application. The correct power tool will do the job better and safer at the rate for which it was designed.
2. Do not use the power tool if the switch does not turn it on and off. Any power tool that cannot be controlled with the switch is dangerous and must be repaired.
3. Disconnect the plug from the power source and/or the battery pack from the power tool before making any adjustments, changing accessories, or storing power tools. Such preventive safety measures reduce the risk of starting the power tool accidentally.
4. Store idle power tools out of the reach of children and do not allow persons unfamiliar with the power tool or these instructions to operate the power tool. Power tools are dangerous in the hands of untrained users.
5. Maintain power tools. Check for misalignment or binding of moving parts, breakage of parts and any other condition that may affect the power tool's operation. If damaged, have the power tool repaired before use. Many accidents are caused by poorly maintained power tools.
6. Use the power tool, accessories and tool bits etc. in accordance with these instructions, taking into account the working conditions and the work to be performed. Use of the power tool for operations different from those intended could result in a hazardous situation.

SERVICE

Have your power tool serviced by a qualified repair person using only identical replacement parts. This will ensure that the safety of the power tool is maintained.

SAFETY RULES FOR PRESSURE WASHERS


DANGER: CARBON MONOXIDE


Using a pressure washer indoors **CAN KILL YOU IN MINUTES**. Pressure washer exhaust contains carbon monoxide (CO). This is a poison gas you cannot see or smell. If you can smell the pressure washer exhaust, you are breathing CO. But even if you cannot smell the exhaust, you could be breathing CO.

NEVER use a pressure washer inside homes, garages, crawlspaces, or other partly enclosed areas.

Deadly levels of carbon monoxide can build up in these areas. Using a fan or opening windows and doors does **NOT** supply enough fresh air. **ONLY** use a pressure washer outside and far away from windows, doors, and vents. These openings can pull in pressure washer exhaust.

Even if you use a pressure washer correctly, CO may leak into the home. **ALWAYS** use a battery-powered or battery-backup CO alarm in the home. If you start to feel sick, dizzy, or weak after the pressure washer has been running, move to fresh air **RIGHT AWAY**. See a doctor. You may have carbon monoxide poisoning.

 **WARNING:** The exhaust from this product contains chemicals known to the State of California to cause cancer, birth defects, or other reproductive harm.

 **WARNING:** This pressure washer may emit highly flammable and explosive gasoline vapors, which can cause severe burns or even death if ignited. A nearby open flame can lead to explosion even if it isn't directly in contact with gasoline.

- Do not operate near open flame.
- Do not smoke near pressure washer.
- Always operate on a firm, level surface.
- Always turn pressure washer off before refueling. Allow pressure washer to cool for at least 2 minutes before removing fuel cap. Loosen cap slowly to relieve pressure in tank.
- Do not overfill fuel tank. Gasoline may expand during operation. Do not fill to the top of the tank. Allow for expansion.
- Always check for spilled fuel before operating.
- Empty fuel tank before storing or transporting the pressure washer.
- Do not allow children or non-qualified persons to operate.

SAFETY RULES FOR PRESSURE WASHERS

⚠ WARNING: This pressure washer produces heat when running. Temperatures near exhaust can exceed 1500 F (650 C).

DO NOT TOUCH HOT SURFACES. Pay attention to warning labels on the pressure washer identifying hot parts of the machine.

Allow pressure washer to cool down after use before touching the engine or areas of the pressure washer that become hot during operation.

CAUTION: Misuse of this pressure washer can damage it and shorten its life. Only use the pressure washer for its intended purposes.

Turn the engine switch to “OFF” position when the engine is not running.

The high pressure stream of water can cut through skin and cause serious injury. Do not aim the stream of water at yourself or at any one else, including animals.

Hoses and tubes can become damaged from coming in contact with a hot engine or muffler. Always double check the hose for perforations before starting up the machine and keep it clear of the engine and the muffler.

Kickback from operation can cause the user to fall down. Always operate the pressure washer on a level and non-elevated surface to prevent the risk of falling.

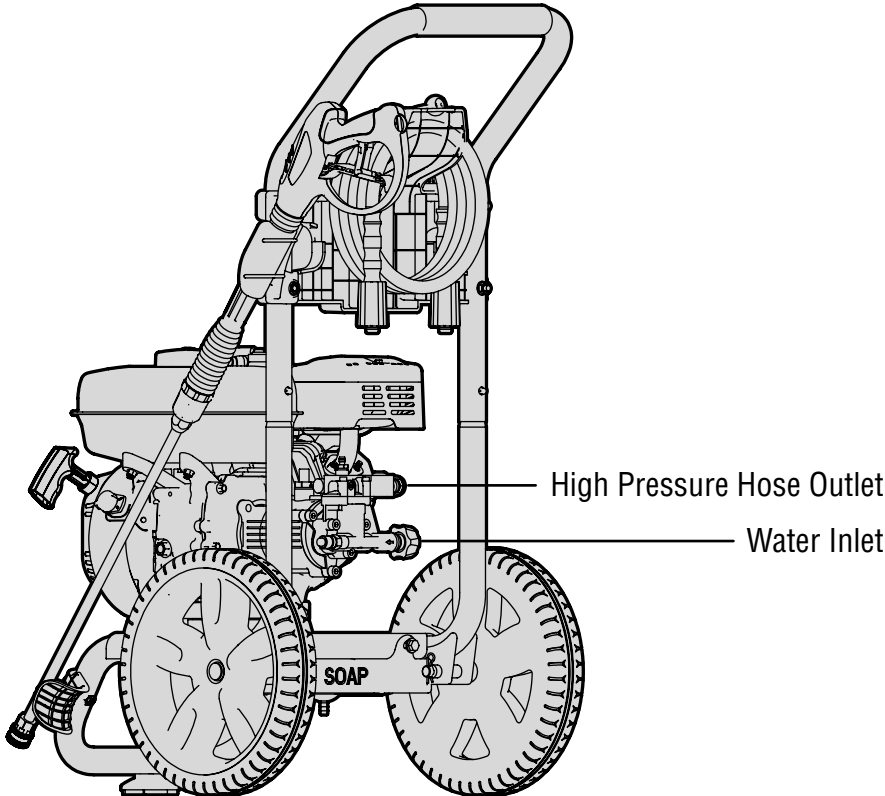
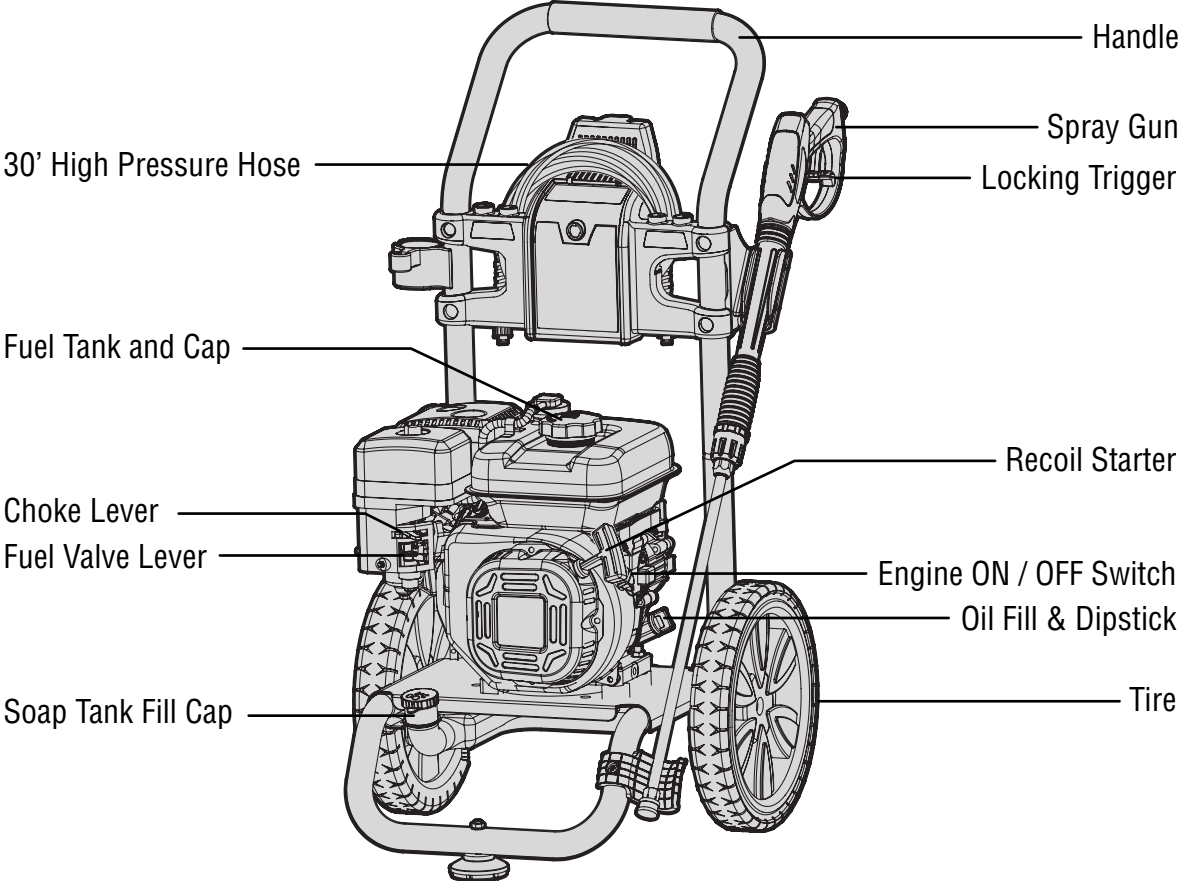
Always wear safety goggles to protect from possible mishaps with the stream or detergents. Always be aware of the dangers associated with the detergents and chemicals that you are working with. Attach all hoses before starting the engine.

SAVE THESE INSTRUCTIONS – This manual contains important instructions for the WEN® Pressure Washer that should be followed during installation and maintenance of the pressure washer.

Pressure washers vibrate in normal use. During and after the use of the pressure washer, inspect both the pressure washer as well as extension and power supply cords for damage resulting from vibration. Have damaged items repaired or replaced as necessary. Do not use plugs or cords that show signs of damage such as broken or cracked insulation or damaged blades.

KNOW YOUR PRESSURE WASHER

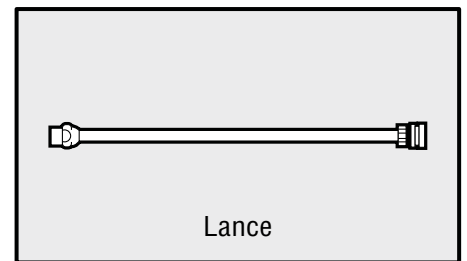
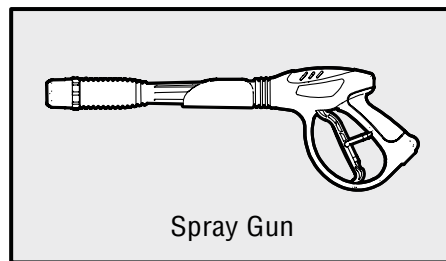
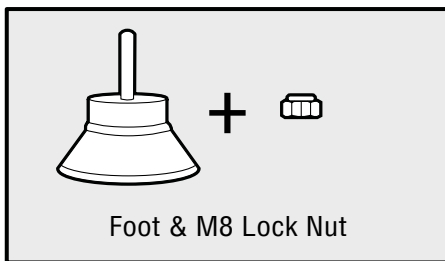
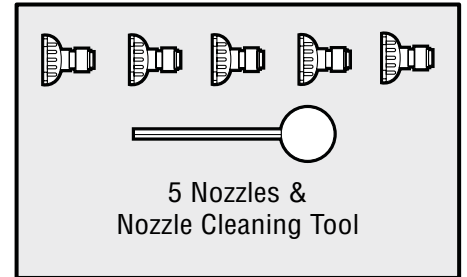
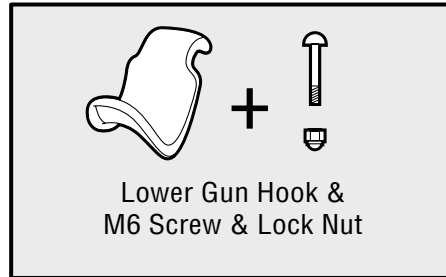
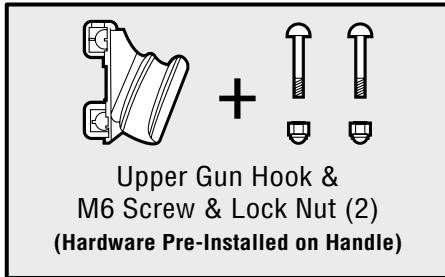
Use the illustrations below to become familiar with the locations and functions of the various components and controls of this pressure washer.



KNOW YOUR PRESSURE WASHER

PACKING LIST

Check your packing list against the diagram below. If any part is damaged or missing, please contact our customer service at (800) 232-1195, M-F 8-5 CST or email us at techsupport@wenproducts.com.



- Pressure washer
- Quick start guide
- Spray gun
- Extension lance with quick-connect fitting
- High pressure hose
- Spray nozzles (5) - 0°, 15°, 25°, 40° and soap nozzle
- Spray gun hook (upper)
- Spray gun hook (lower)
- Foot & M8 Lock Nut
- Nozzle cleaner

⚠ WARNING: Do not attempt to assemble or operate this pressure washer until you have read and understood this entire manual. If you have any problems assembling or operating this unit, please call (800) 232-1195 M-F 8-5 CST for customer service.

⚠ WARNING: Do not operate this pressure washer if any of the parts are damaged or missing until the part is replaced. Using this product with damaged or missing parts can cause damage to the machine or result in serious injury or death.

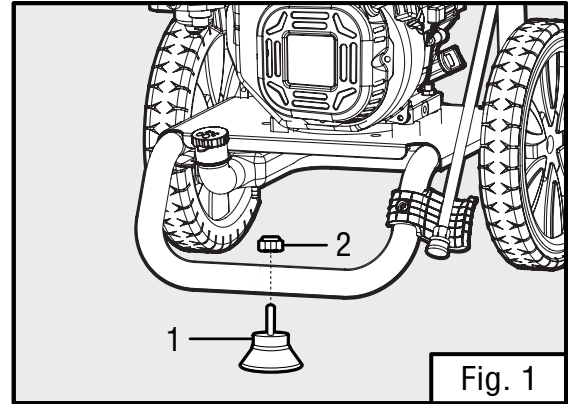
UNPACKING

1. Remove the high pressure hose from box.
2. After the high pressure hose has been removed, carefully open product by cutting down the sides of the box.
3. Remove the product, parts, and all accessories. Make sure all items listed on the packing list are included and not damaged.

PREPARATION

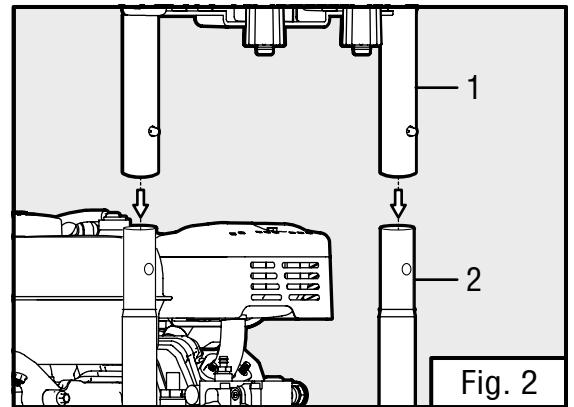
ATTACHING FOOT ASSEMBLY (FIG. 1)

1. Raise or tilt pressure washer so you can line up foot with the hole located at the center of the frame.
2. Align the rubber foot (Fig. 1 - 1) with the hole in the frame. Attach foot by inserting the bolt from the bottom up, then attach the locking nut (Fig. 1 - 2). Tighten the nut with a wrench until there is a slight crush on the frame tube. (Do not over tighten)



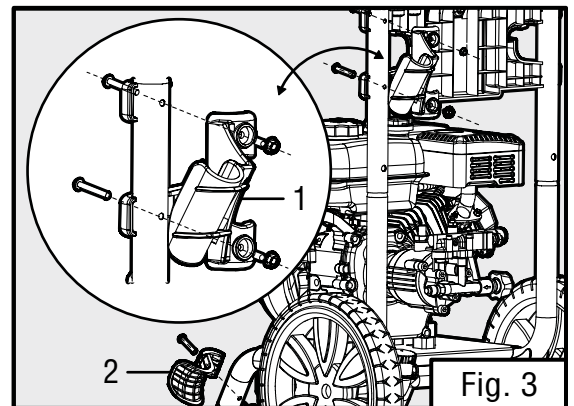
INSTALL HANDLE (FIG. 2)

- Install upper frame (Fig. 2 - 1) onto the lower frame (Fig. 2 - 2) by sliding the handle over the two upright tubes on the lower frame and pressing down firmly until the handle is seated and the two detent pins snap in place.



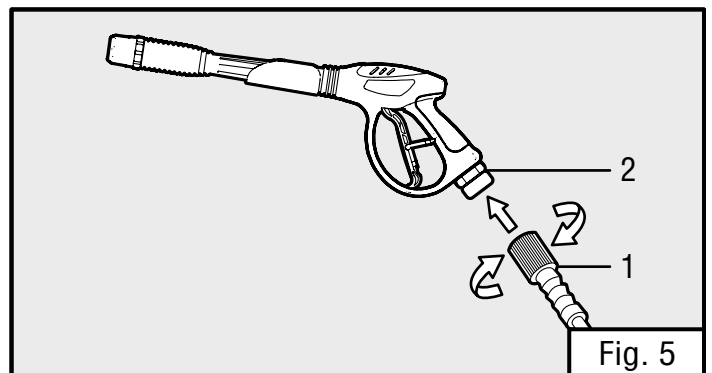
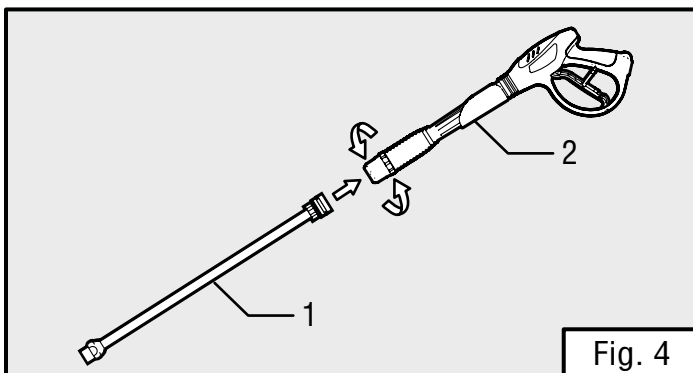
ATTACHING UPPER AND LOWER GUN HOOKS (FIG. 3)

1. Attach the upper gun hook (Fig. 3 - 1). Align the upper gun hook with the holes. Attach using the included nuts and bolts.
2. Attach the lower gun hook (Fig. 3 - 2). Make sure that the gun hook is straight and correctly aligned before tightening. Wrench tighten until the nut is snug. Do not over tighten.



ATTACHING THE SPRAY GUN (FIG. 4 & 5)

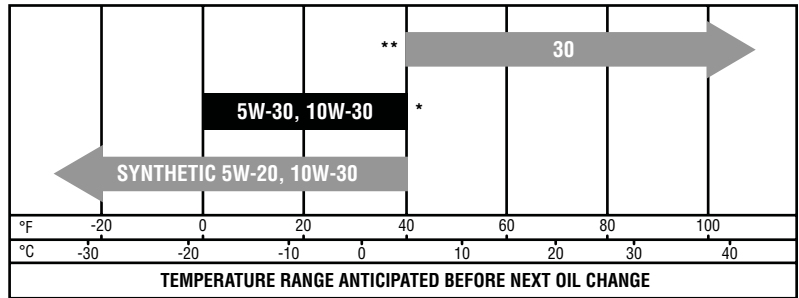
1. Screw the spray wand (Fig. 4 - 1) and the trigger handle (Fig. 4 - 2) together until they are secure.
2. Insert the inlet coupler of the spray hose (Fig. 5 - 1) into the threaded fitting on the high pressure spray gun (Fig. 5 - 2) and thread the black nut on by turning clockwise until it is hand tight.



PREPARATION

ADD ENGINE OIL

The pressure washer is shipped without oil. User must add the proper amount of oil before operating the pressure washer for the first time. The oil capacity of the engine crankcase is 20.3 fl. oz. (600 mL). For general use (above 40° F), we recommend 30W, 4-stroke engine oil.

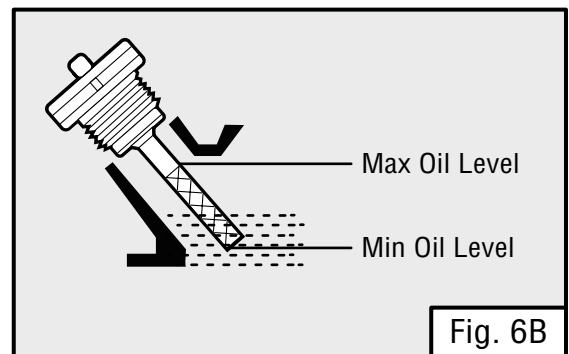
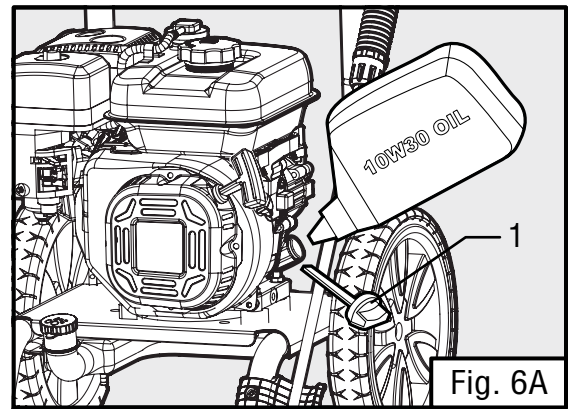


ENGINE OIL RECOMMENDATIONS

Select good quality detergent oil bearing the American Petroleum Institute (API) service classifications SJ, SL, or SM. (Synthetic oils may be used.) Use the SAE viscosity grade of oil from the above chart that matches the starting temperature anticipated before the next oil change.

TO ADD OIL, FOLLOW THESE STEPS: (FIG. 6A & 6B)

1. Make sure the pressure washer is on a level surface. Tilting the pressure washer to assist in filling will cause oil to flow into the wrong areas of the engine and will cause damage. Keep pressure washer level!
2. Remove the dipstick (Fig. 6A - 1) from the engine.
3. Add oil slowly to bring level to full. Make sure oil comes approximately halfway up the crankcase threads to ensure enough oil has been added.
4. To check the oil level: wipe the dipstick with a clean rag. Insert the dipstick into the oil fill opening without screwing it in. Remove the dipstick to check the oil mark. (Fig. 6B)
5. Slowly add more oil and repeat step 4 until the oil mark reaches to the top of the dipstick. Do not over fill the crankcase.
6. Check for oil leaks. Tighten dipstick firmly.



PREPARATION

ADDING GASOLINE

⚠ WARNING: This pressure washer may emit highly flammable and explosive gasoline vapors, which can cause severe burns or even death if ignited. A nearby open flame can lead to explosion even if not directly in contact with gasoline.

Use fresh (within 30 days from purchase), lead-free gasoline with a minimum of 87 octane rating. Do not mix oil with gasoline.

TO ADD GASOLINE, FOLLOW THESE STEPS: (FIG. 7)

1. Make sure the pressure washer is on a level surface.
2. Unscrew fuel cap (Fig. 7 - 1) and set aside.

NOTE: The fuel cap may be tight and hard to unscrew.

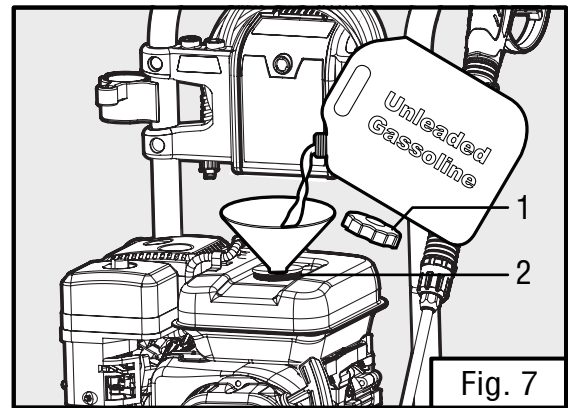
3. Slowly add unleaded gasoline to the fuel tank (Fig. 7 - 2). Be careful not to overfill. The capacity of the fuel tank is 0.9 gallons.

NOTE: Do not fill the fuel tank to the very top. Gasoline will expand and spill over during use even with the fuel cap in place.

4. Reinstall fuel cap and wipe clean any spilled gasoline with a dry cloth.

IMPORTANT:

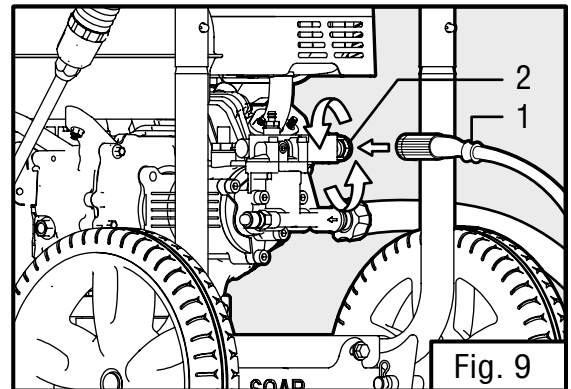
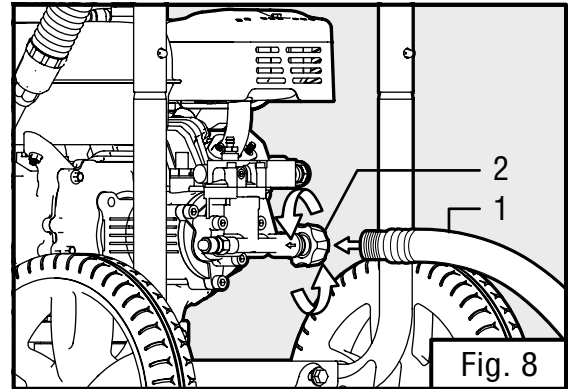
- Never use an oil/gasoline mixture.
- Only use unleaded gasoline.
- Never use old gasoline.
- Avoid getting dirt or water into the fuel tank.
- Gasoline can age in the tank and make starting difficult. Never store pressure washer for extended periods of time with fuel in the tank.



PREPARATION

CONNECTING GARDEN HOSE TO PRESSURE WASHER (FIG. 8)

1. Run water through the hose for a few seconds to flush any debris from the hose.
2. Inspect water inlet screen (Fig. 8 - 2) and remove any debris.
3. Connect hose (Fig. 8 - 1) to water inlet (Fig. 8 - 2) and tighten by hand. There must be a minimum of 10 feet of unrestricted hose between pressure washer and faucet or shut off valve.
4. Turn on water.
5. Purge the system's pump of air by releasing the safety and squeezing the trigger of the spray gun.



CONNECT HIGH PRESSURE HOSE TO PUMP (FIG. 9)

1. Attach the end of high pressure hose (Fig. 9 - 1) to the high pressure outlet (Fig. 9 - 2) on pump.
2. Follow the same procedure with opposite end to attach high pressure hose to spray wand.

⚠ WARNING: The intake water temperature must not exceed 104°F (40°C). The water supply must not exceed 101 PSI (700 kPa).

OPERATION

⚠ DANGER: CARBON MONOXIDE. Using a pressure washer indoors CAN KILL YOU IN MINUTES.

Pressure washer exhaust contains carbon monoxide (CO). This is a poison gas you cannot see or smell. If you can smell the pressure washer exhaust, you are breathing CO. Even if you cannot smell the exhaust, you may be breathing CO.

NEVER use a pressure washer inside homes, garages, crawlspaces, or other partly enclosed areas. Deadly levels of carbon monoxide can build up in these areas. Using a fan or opening windows and doors does NOT supply enough fresh air.

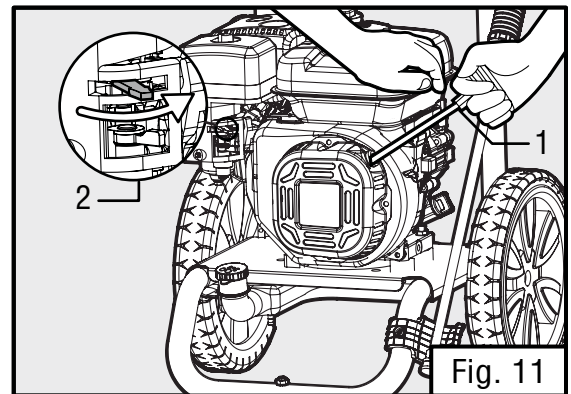
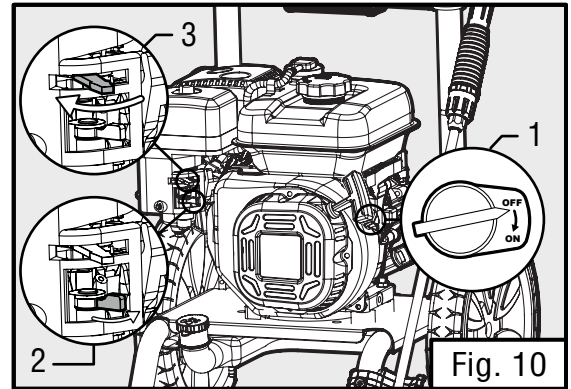
ONLY use a pressure washer outside and far away from windows, doors, and vents. These openings can pull in pressure washer exhaust. Even if you use a pressure washer correctly, CO may leak into the home. ALWAYS use a battery-powered or battery-backup CO alarm in the home.

If you start to feel sick, dizzy, or weak after the pressure washer has been running, move to fresh air RIGHT AWAY. See a doctor. You may have carbon monoxide poisoning.

OPERATION

STARTING PRESSURE WASHER (FIG. 10 & 11)

1. Place pressure washer on a level surface. Turn on water.
2. Purge the system's pump of air by releasing the safety and squeezing the trigger of the spray gun. Attach lance to spray gun.
3. Turn fuel valve (Fig. 10 - 2) to the ON position.
4. Slide the choke lever (Fig. 10 - 3) to the "Choke" position.
5. Turn the engine ON/OFF switch (Fig. 10 - 1) to the "ON" position.
6. Holding the machine with your hand, pull the recoil handle (Fig. 11 - 1) slowly until resistance is felt, then pull rapidly. Squeeze the gun trigger and release the pressure after every failed attempt to start the pressure washer in order to reduce back pressure.
7. Let the engine run for several seconds. Then gradually slide the choke lever (Fig. 11 - 2) to the RUN position as the engine warms up until the choke is fully slid to the RUN position.



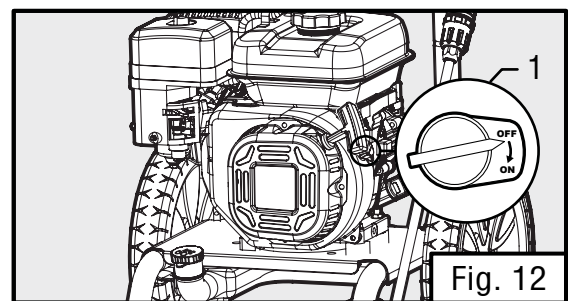
⚠ WARNING: Pulling the pull cord of the recoil starter rapidly can pull your arm towards the engine faster than you can let go, which could result in injury.

Always relieve pressure from spray gun before pulling starter cord, including every failed attempt to start engine.

To avoid recoil, pull starter cord slowly until resistance is felt, then pull rapidly.

STOPPING PRESSURE WASHER (FIG. 12)

1. Turn the ON/OFF switch (Fig. 12 - 1) to the OFF position.
2. Turn the fuel valve to the OFF position.
3. Turn off water and squeeze the trigger handle to release all water pressure.



PRESSURE WASHER RELEASE VALVE

If pressure or temperature within the pump exceeds preset values, excess water will begin to spray out of the pressure release valve located next to the water inlet. This is perfectly normal and acts as a corrective measure to ensure that the right amount of pressure is being used.

However, if water seems to always be leaking, its time for your pressure release valve to be replaced. Please call our customer service phone line to order parts and learn about the replacement process.

OPERATION

USING THE SPRAY GUN (FIG. 13)

Flip the lock tab (Fig. 13 - 1) behind the trigger up or down until it clicks to apply or remove the safety. Pull back on the trigger (Fig. 13 - 2) to begin operating pressure washer. To stop water flow, release trigger.

USING THE SPRAY NOZZLE (FIG. 14)

1. To connect or disconnect spray tip (Fig. 14 - 1), pull back on the quick-connect collar (Fig. 14 - 2). Insert or remove spray tip then release the collar.

2. When spray tip is connected, pull on the spray tip to make sure it is secured.

3. For general cleaning use the 40° spray tip. This option is for cement walkways.

4. For stripping, spot cleaning, blasting, and hard to reach areas use the 15° spray tip. This option is for removing paint, rust, mildew, marine growth on boats, or grease stains. This option can be used for reaching second story surfaces, or for the removal of paint, rust, oil stains, tar, gum, and other stubborn substances. Use extreme caution when using this nozzle.

5. For applying pressure washer detergent, use the black soap nozzle.

APPLYING DETERGENT

1. Only use the black soap nozzle for detergent.

2. Rinse surfaces with cool water before applying cleaner.

3. Prepare detergent as required. For best results follow detergent directions as supplied by detergent manufacturer. Remove cap from the detergent container and fill.

4. Spray detergent on surface. For best results use long, even, and overlapping strokes. Allow detergent to set for about 3 minutes before rinsing, but do not allow the detergent to dry on the surface or it may cause streaking or damage. Use good judgment.

5. To clean equipment after use, flush water through the spray nozzle for 1-2 minutes then shut off engine. Soak nozzle in a bucket of clean water to remove detergent. To empty out the soap from the pressure washer, disconnect the hose found underneath the pressure washer and let the remaining soap drain out.

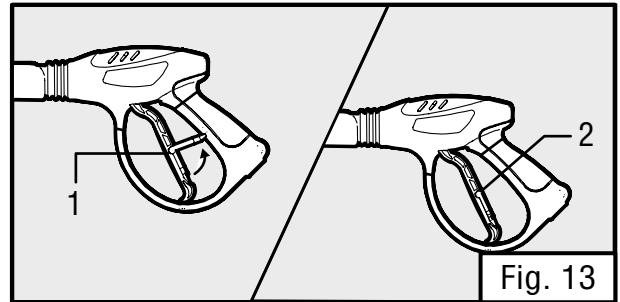


Fig. 13

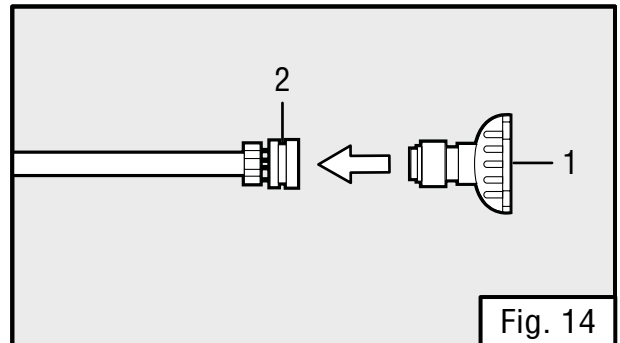


Fig. 14

⚠ WARNING: Only use detergents or soaps that are specifically designed to be used with pressure washers. Chemicals which are caustic, such as acids or bleach, can result in serious injury, property damage, or death. NEVER aim the flow of water at a person or an animal, especially when using detergent or cleaner.

MAINTENANCE

Proper routine maintenance of the pressure washer will help prolong the life of the machine. Please perform maintenance checks and operations according to the schedule in the chart below.

If there are any questions about the maintenance procedures listed in this manual, please call: (800)-232-1195 M-F 8-5 CST.

CAUTION: Never perform maintenance operations while the pressure washer is running.

Recommended Maintenance Schedule		Each 8 hours or daily	First 8 hours	Every 25 hours	Every 3 months or 50 hours	Every 6 months or 100 hours	Every year	As necessary
Engine oil	Check level	x						
	Replace		x	x*	x*			x
Air cleaner cartridge	Check			x		x		
	Clean					x		
Spark plug	Check/clean					x		
	Change						x	x
Fuel tank	Check level	x						
	Clean						x	
Spark Arrestor	Clean				x			

* Clean/change more often under dusty conditions or when operating under heavy load.

PRE-OPERATION STEPS

Before starting the engine, perform the following pre-operation steps:

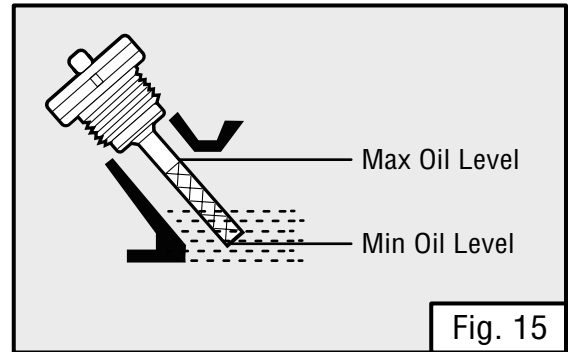
1. Check the level of the engine oil and the fuel tank.
2. Make sure the air filter is clean.
3. Remove any debris that has collected on the pressure washer.
4. Check high pressure hose for damage.
5. Briefly run garden hose to flush out any debris or insects.
6. Inspect the work area for hazards.
7. Clean any debris that has collected around or behind the muffler, air cleaner and controls.
8. Use a damp cloth to wipe exterior surfaces. If dirt is caked on, use a soft bristle brush.

MAINTENANCE

AFTER EACH USE

Follow these procedures after each use:

1. Shut off engine and turn off water supply. Release water pressure by pointing spray gun in a safe direction and squeezing the trigger.
2. Disconnect high pressure hose, spray gun, and nozzle. Drain water from items and use a rag to wipe down the outside of the hose and spray gun.
3. Empty the water from the pump by pulling the recoil starter 6 times.
4. Store unit in a clean and dry area after it has had a chance to cool down.
5. Use of a pressure washer pump conditioner is recommended, particularly for winter storage. Follow the instructions provided by the manufacturer of the pump conditioner. See also p. 22.



CHECKING THE OIL

Check the oil level of the pressure washer according to the Recommended Maintenance Schedule on page 17. The pressure washer should be checked before each use for proper oil level. This is a critical step for proper engine starting. To check the oil level:

1. Make sure the pressure washer is on a level surface.
2. Clean around oil fill. Remove dipstick and wipe the dipstick with a clean rag. Insert the dipstick into the oil fill opening without screwing in. Remove the dipstick to check the oil mark. Add oil if the oil mark covers less than one half of the dipstick. (Fig. 15)
3. Slowly add more oil and repeat step 2 until the oil mark reaches to the top of dipstick. Do not over fill the crankcase.
4. Reinstall oil dipstick.

CLEANING THE SPARK ARRESTOR

Clean the spark arrestor with a wire brush every 50 hours or 3 months of use. The spark arrestor is the small screen located on the muffler exhaust.

CAUTION: The muffler is very hot after use. Allow the muffler to cool down completely before cleaning the spark arrestor.

DRAINING THE CARBURETOR

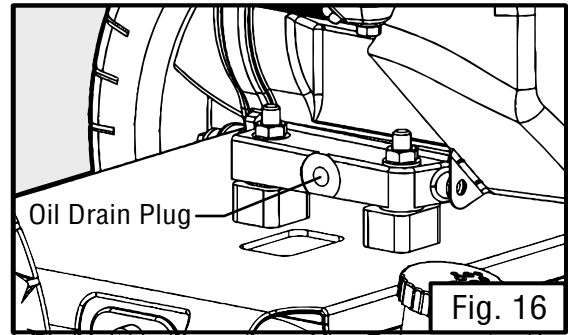
Drain the carburetor after each use to fight fuel deterioration. If you do not drain the carburetor, gasoline will degrade inside the carburetor and clog it, which will make it difficult or impossible to start next time you use it.

1. Prepare an approved gasoline-storage container. Position it underneath the carburetor drain screw.
2. Use a screwdriver to loosen and remove the carburetor drain screw. Allow fuel to flow into the container.
3. Once the carburetor has drained, replace the screw.

MAINTENANCE

CHANGING/ADDING OIL (FIG. 16)

Change the oil according to the Recommended Maintenance Schedule on page 17. Change the oil when the engine is warm to allow for complete drainage. Change oil more often if operating under heavy load or high ambient temperatures. It is also necessary to drain the oil from the crankcase if it has become contaminated with water or dirt. The oil capacity of the pressure washer engine is 20.3 fl oz (600mL). Add oil when the oil level is low. For proper type of oil refer to the “add oil” portion of the “Preparation” section.



TO CHANGE OIL, FOLLOW STEPS BELOW:

1. Shut off engine. Clean the area around the oil fill cap/dipstick to keep out debris then remove oil dipstick.
2. Place an oil pan on the ground to catch oil. Remove oil plug then tilt pressure washer back and to the side to empty out the oil from the crankcase.
3. Once oil is completely drained, return the pressure washer to a level position and install the oil drain plug. Refill the engine with new oil as instructed earlier in this manual under Adding/Checking Oil.

AIR CLEANER MAINTENANCE

Routine maintenance of the air cleaner helps maintain proper airflow to the carburetor. Occasionally check that the air cleaner is free of excessive dirt. Refer to Recommended Maintenance Schedule on page 17.

1. Unscrew the cover bolt, then remove the air cleaner cover.
2. Remove the air cleaner element from the casing.
3. Check and clean the air cleaner element. Replace with a new one if the element is damaged. A good element can be washed in soapy water and dried. Saturate the element with clean engine oil and squeeze off excess oil.
4. Re-install the element. Wipe off excess oil from the air cleaner housing. A small amount of oil in the element is normal and necessary for the engine to work properly.
5. Reinstall the air cleaner element and cover.

CAUTION: running the engine with a dirty, damaged or missing air cleaner element will cause the engine to wear out prematurely.

MAINTENANCE

DRAINING THE FUEL TANK

Clean fuel tank each year or before storing the pressure washer for extended periods of time. To drain the fuel tank and carburetor:

1. Prepare an approved gasoline-storage container. Turn the fuel valve to the “OFF” position. Position the container so it will catch fuel draining from the carburetor drain screw.
2. Loosen the drain screw until fuel begins to flow out of the carburetor, then turn the fuel valve to the “ON” position. The gas tank will drain through the carburetor.

CAUTION: Store the emptied gasoline in a safe place. Do not store fuel for more than 3 months.

DRAINING THE SOAP (FIG. 17)

To drain the soap, unplug the hose highlighted in Figure 17 (Fig. 17 - 1). Use a container to hold the draining soap. Once the soap is done draining, reconnect the hose.

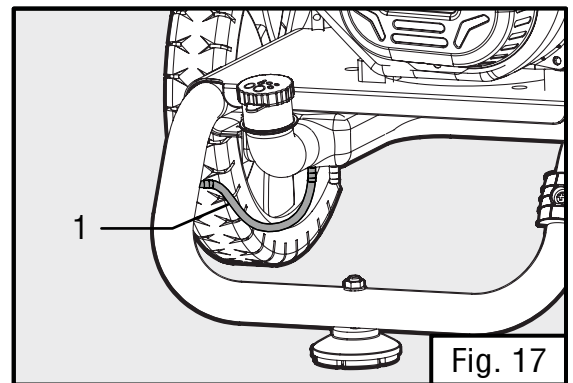


Fig. 17

SPARK PLUG MAINTENANCE

The spark plug is important for proper engine operation. A good spark plug should be intact, free of deposits, and properly gapped. Refer to Recommended Maintenance Schedule on page 17.

TO INSPECT THE SPARK PLUG (FIG. 18 & 19):

1. Remove spark plug boot (Fig. 18 - 1). Be careful not to tear insulation or wiring.
2. Unscrew the spark plug from the engine using a spark plug wrench. There is limited space for the wrench to turn. Use both rows of holes in the spark plug wrench to gain leverage to loosen the plug.
3. Visually inspect the spark plug for cracks or excessive electrode wear. Replace as necessary.
4. Measure the plug gap with a wire gauge. The gap should be 0.7-0.8 mm (0.028-0.031 in). (Fig. 19)
5. If re-using the spark plug, use a wire brush to clean any dirt from around the spark plug base then re-gap the spark plug.
6. Screw the spark plug back into the spark plug hole using the spark plug wrench. Do not over-tighten spark plug. Recommended tightening of spark plug is $\frac{1}{2}$ to $\frac{3}{4}$ of a turn after the spark plug gasket contacts the spark plug hole, or 15 ft-lb. Reinstall the spark plug boot.

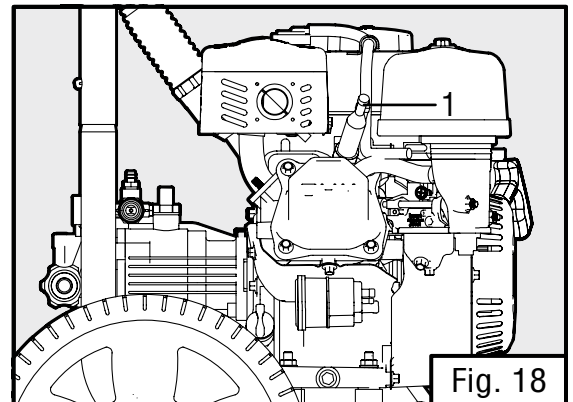


Fig. 18

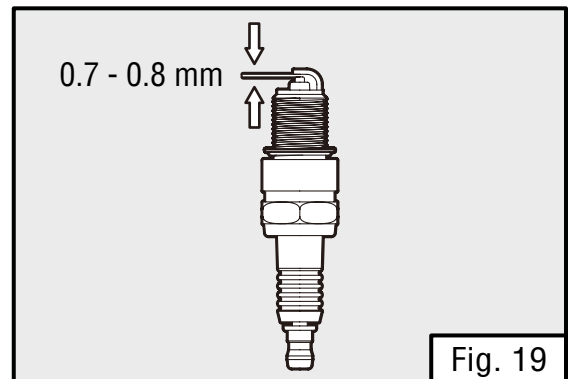
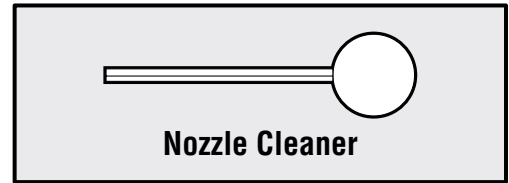


Fig. 19

MAINTENANCE

CHECKING DETERGENT SIPHONING TUBE

1. Check the detergent siphoning tube for clogs, leaks, or tears.
2. Make sure the tube fits tightly on the pump fitting.
3. Replace siphoning tube if damaged.



HIGH PRESSURE HOSE

1. Inspect hose for cuts, bulges, or leaks which can develop from kinking or wear. If damage is found, immediately replace hose.
2. Inspect couplings for damage. Immediately replace hose if damage is found.

WARNING: Never repair a high pressure hose or use unit if the hose is damaged. If the hose is damaged, replace it. Contact WEN customer service for assistance.

SPRAY GUN

1. Make sure the spray gun is connected securely.
2. Inspect the spray gun safety and make sure the spray gun trigger springs back upon release.

SPRAY NOZZLE

If a pulsing sensation is felt while squeezing the trigger, the spray nozzle may be dirty or clogged, and should be cleaned immediately. To clean the nozzle:

1. Shut off the engine and turn off the water.
2. Remove the nozzle from the spray wand, making sure that the nozzle is pointing away from you and in a safe direction.
3. Use the nozzle cleaner or a small paper clip to dislodge any foreign materials which are clogging or restricting the spray tip. Flush debris out of the nozzle by back flushing with a garden hose for 30-60 seconds.
4. Reconnect the nozzle to the spray wand.
5. Turn the water supply back on and start engine.

STORAGE & TRANSPORT

CAUTION: Never place any type of storage cover on the pressure washer while it is still hot.

If the pressure washer is being stored for short periods of time (30 to 60 days), add stabilized fuel to the fuel tank until full.

NOTE: Filling the tank reduces the amount of air in the tank and helps reduce deterioration of fuel. Run the engine for 2 – 3 minutes allowing stabilized fuel mixture to circulate through the carburetor.

STORAGE & TRANSPORT

STORING THE PRESSURE WASHER FOR EXTENDED PERIODS:

1. Drain the fuel tank (see “Draining the Fuel Tank” in the “Maintenance” section).
2. Change oil.
3. Do not obstruct any ventilation openings.
4. Keep the pressure washer in a cool dry area.

WINTER STORAGE (BELOW 40°F)

1. Follow instructions to store washer for extended periods.
2. Drain all water from hose, gun, etc.
3. We recommend using a pump conditioner for winter storage. Follow the instructions provided by the conditioner manufacturer.

TRANSPORTING THE PRESSURE WASHER:

1. Tighten fuel cap. Drain the fuel tank if possible.
2. Always keep the pressure washer upright. Do not lay it down sideways.

TROUBLESHOOTING

⚠ WARNING: Stop using the tool immediately if any of the following problems occur. Repairs and replacements should only be performed by an authorized technician. For any questions, please contact our customer service at (800) 232-1195, M-F 8-5 CST or email us at techsupport@wenproducts.com.

PROBLEM	CAUSE	SOLUTION
Engine will not start	Engine switch is set to "OFF"	Set engine switch to "ON"
	Fuel valve is turned to "OFF:	Turn fuel valve to "ON" position
	Choke is open	Close the choke
	Engine is out of fuel	Add gasoline
	Engine is filled with contaminated or old gasoline	Change the gasoline in the gas tank
	Spark plug is dirty	Clean spark plug
	Spark plug is broken	Replace spark plug
	Generator is not on level surface	Move generator to a level surface to prevent low oil shutdown from triggering
	Oil is low	Add or replace oil
Water pressure is weak	Water supply is restricted	Inspect garden hose for leaks. Make sure you are using a large enough hose (min. 3/4" diameter)
	Water is not turned on to full power	Open water source all the way
	Not using high pressure nozzle	Change nozzle
Detergent and spray do not mix	Detergent hose is not submerged or has disconnected	Make sure hose is connected and submerged in the detergent
	Black soap nozzle needed	Use soap nozzle
Pump fails to produce pressure or pressure is inconsistent	Water supply is restricted	Inspect garden hose for leaks. Make sure you are using a large enough hose (min. 3/4" diameter)
	Water not turned on full power	Open water source all the way
	Nozzle is clogged	Clean nozzle
	Spray gun leaks	Check spray gun connection or replace spray gun
	Air in line	Squeeze trigger handle to remove air
	Inlet hose screen is clogged	Clean inlet
	Water supply is over 100° F	Use cool water supply
	Pump is faulty	Contact customer service at 1-800-232-1195 for assistance.

WARRANTY STATEMENT

WEN Products is committed to building tools that are dependable for years. Our warranties are consistent with this commitment and our dedication to quality.

LIMITED WARRANTY OF WEN PRODUCTS FOR HOME USE

GREAT LAKES TECHNOLOGIES, LLC (“Seller”) warrants to the original purchaser only, that all WEN consumer power tools will be free from defects in material or workmanship during personal use for a period of two (2) years from date of purchase or 500 hours of use; whichever comes first. Ninety days for all WEN products if the tool is used for professional or commercial use. Purchaser has 30 days from the date of purchase to report missing or damaged parts.

SELLER’S SOLE OBLIGATION AND YOUR EXCLUSIVE REMEDY under this Limited Warranty and, to the extent permitted by law, any warranty or condition implied by law, shall be the replacement of parts, without charge, which are defective in material or workmanship and which have not been subjected to misuse, alteration, careless handling, misrepair, abuse, neglect, normal wear and tear, improper maintenance, improper storage, incorrect lubricants/fuels, or other conditions adversely affecting the Product or the component of the Product, whether by accident or intentionally, by persons other than Seller. To make a claim under this Limited Warranty, you must make sure to keep a copy of your proof of purchase that clearly defines the Date of Purchase (month and year) and the Place of Purchase. Place of Purchase must be a direct vendor of Great Lakes Technologies, LLC. Purchasing through third party vendors, including but not limited to garage sales, pawn shops, resale shops, or any other secondhand merchant, voids the warranty included with this product. Contact techsupport@wenproducts.com or 1-800-232-1195 with the following information to make arrangements: your shipping address, phone number, serial number, required part numbers, and proof of purchase. Damaged or defective parts and products may need to be sent to WEN before the replacements can be shipped out.

Upon the confirmation of a WEN representative, your product may qualify for repairs and service work. When returning a product for warranty service, the shipping charges must be prepaid by the purchaser. The product must be shipped in its original container (or an equivalent), properly packed to withstand the hazards of shipment. The product must be fully insured with a copy of the proof of purchase enclosed. There must also be a description of the problem in order to help our repairs department diagnose and fix the issue. Repairs will be made and the product will be returned and shipped back to the purchaser at no charge for addresses within the contiguous United States.

THIS LIMITED WARRANTY DOES NOT APPLY TO ITEMS THAT WEAR OUT FROM REGULAR USAGE OVER TIME, INCLUDING FILTERS, SPARK PLUGS, VOLTAGE REGULATORS, BRUSHES, GASKETS, O-RINGS, WHEEL KITS, BATTERIES, RECOIL STARTERS, HIGH PRESSURE HOSES, SPRAY GUNS, ETC. ANY IMPLIED WARRANTIES SHALL BE LIMITED IN DURATION TO TWO (2) YEARS FROM DATE OF PURCHASE. SOME STATES IN THE U.S. AND SOME CANADIAN PROVINCES DO NOT ALLOW LIMITATIONS ON HOW LONG AN IMPLIED WARRANTY LASTS, SO THE ABOVE LIMITATION MAY NOT APPLY TO YOU.

IN NO EVENT SHALL SELLER BE LIABLE FOR ANY INCIDENTAL OR CONSEQUENTIAL DAMAGES (INCLUDING BUT NOT LIMITED TO LIABILITY FOR LOSS OF PROFITS) ARISING FROM THE SALE OR USE OF THIS PRODUCT. SOME STATES IN THE U.S. AND SOME CANADIAN PROVINCES DO NOT ALLOW THE EXCLUSION OR LIMITATION OF INCIDENTAL OR CONSEQUENTIAL DAMAGES, SO THE ABOVE LIMITATION OR EXCLUSION MAY NOT APPLY TO YOU.

THIS LIMITED WARRANTY GIVES YOU SPECIFIC LEGAL RIGHTS, AND YOU MAY ALSO HAVE OTHER RIGHTS WHICH VARY FROM STATE TO STATE IN THE U.S., PROVINCE TO PROVINCE IN CANADA AND FROM COUNTRY TO COUNTRY.

THIS LIMITED WARRANTY APPLIES ONLY TO ITEMS SOLD WITHIN THE UNITED STATES OF AMERICA, CANADA AND THE COMMONWEALTH OF PUERTO RICO. FOR WARRANTY COVERAGE WITHIN OTHER COUNTRIES, CONTACT THE WEN CUSTOMER SUPPORT LINE. FOR WARRANTY PARTS OR PRODUCTS REPAIRED UNDER WARRANTY SHIPPING TO ADDRESSES OUTSIDE OF THE CONTIGUOUS UNITED STATES, ADDITIONAL SHIPPING CHARGES MAY APPLY.