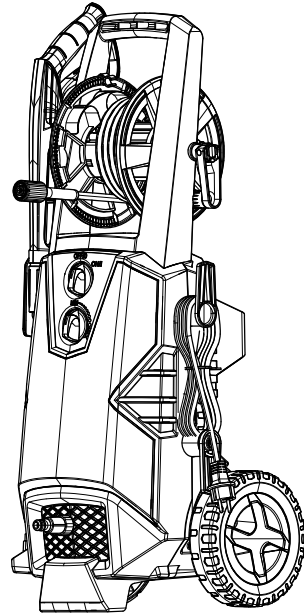




2030 PSI ELECTRIC PRESSURE WASHER



SP[®]
C US
234350

For replacement parts visit
WENPRODUCTS.COM

Model # PW21
bit.ly/WENvideo


IMPORTANT:

Your new tool has been engineered and manufactured to WEN's highest standards for dependability, ease of operation, and operator safety. When properly cared for, this product will supply you years of rugged, trouble-free performance. Pay close attention to the rules for safe operation, warnings, and cautions. If you use your tool properly and for intended purpose, you will enjoy years of safe, reliable service.



NEED HELP? CONTACT US!

Have product questions? Need technical support?
Please feel free to contact us at:

 **800-232-1195** (M-F 8AM-5PM CST)

 techsupport@wenproducts.com

 **WENPRODUCTS.COM**

TABLE OF CONTENTS

Technical Data	2
Important Safety Instructions	3
Specific Rules for Pressure Washers	4
Electrical Information	5
Get to Know Your Pressure Washer	6
Assembly	7
Operation	8
Maintenance & Storage	10
Troubleshooting	11
Exploded View and Parts List	12
Warranty Statement	14

TECHNICAL DATA

Model Number:	PW21
Motor:	120V, 60Hz, 14.5A
Rated Pressure:	1450 PSI
Max Pressure:	2030 PSI
Max Flow Rate:	1.76 GPM
Rated Water Temperature:	32° to 104° F
Max Inlet Pressure:	101 PSI
Hose Length:	20 ft
Power Cord Length:	36 ft
Soap Tank Capacity:	40.6 fl. oz. (0.32 gal)
Assembled Product Dimensions:	15.4 x 13.9 x 35.5 in
Weight:	28 lbs

IMPORTANT SAFETY INSTRUCTIONS

Safety is a combination of common sense, staying alert and knowing how your tool works.

SAVE THESE SAFETY INSTRUCTIONS.



WARNING: To avoid mistakes and serious injury, do not plug in your tool until the following steps have been read and understood.

1. **READ** and become familiar with this entire instruction manual. **LEARN** the tool's applications, limitations, and possible hazards.
2. **STAY ALERT.** Watch what you are doing and use common sense when operating your tool.
3. **DO NOT USE** the tool while you are tired or under the influence of drugs, alcohol, or medication. A moment of inattention during operation may result in serious bodily injury.
4. **NEVER LEAVE YOUR UNIT RUNNING WHILE UNATTENDED.** Unplug the unit before leaving for extended periods of time.
5. **DO NOT OVERREACH.** Keep proper footing and balance at all times. This enables better control of the unit in unexpected situations and will also prevent you from falling down and embarrassing yourself in front of your cool neighbor Greg. Hold the handles firmly to avoid injury. When stepping backwards, be cautious about any obstacles beneath your feet or behind you in order to avoid falling.
6. **LEARN YOUR TOOL'S APPLICATIONS AND LIMITATIONS** as well as the specific potential hazards related to this machine. Do not use this machine for any purpose other than the one for which it was designed. Otherwise, you may cause mechanical defaults, serious damage or personal injury.
7. **PRELIMINARY UNIT INSPECTION:** thoroughly inspect the unit before operation. Make sure all the parts are secured and installed correctly. If you notice any abnormalities, do not use the machine until it has been properly repaired. Always perform a test run the first time you use the tool or after replacing parts to ensure that the unit is functioning properly.
8. **MALFUNCTIONING SWITCH:** do not use the tool if the switch does not turn it on and off. Any electrical appliance that cannot be controlled by the switch is not safe to use and must be repaired.
9. **BEFORE SERVICING,** cleaning or removing of any part, shut off power and relieve pressure.

SPECIFIC RULES FOR PRESSURE WASHERS



WARNING: Risk of injection or injury to persons - do not direct discharge stream at persons or animals.

CAUTION: Misuse of this pressure washer can damage it and shorten its life. Only use the pressure washer for its intended purposes.

1. **INJECTION HAZARD:** The high pressure stream of water can cut through skin and cause serious injury. Do not point the gun at yourself or at any one else, including animals. In case of skin penetration, seek medical aid immediately.
2. Hoses and tubes can become damaged from coming in contact with hot surfaces. Always double check the hose for perforations or other defects before starting up the machine.
3. This system is capable of producing pressure up to 2030 PSI/14,000 kPa. To avoid rupture and injury, do not operate this pump with components rated less than 2030 PSI/14,000 kPa working pressure (including but not limited to spray guns, hoses and hose connections).
4. Kickback from operation can cause the user to fall down. Always operate the pressure washer on a level and non-elevated surface to prevent the risk of falling.
5. Don't pressure wash the pressure washer. Do not spray the power source or the outlet. Wear rubber-soled shoes during operation.
6. Always wear safety goggles to protect from possible mishaps with the stream or detergents. Always be aware of the dangers associated with the detergents and chemicals that you are working with.
7. Attach all hoses before starting the unit. Have damaged items repaired or replaced as necessary. Do not use plugs or cords that show signs of damage such as broken or cracked insulation.
8. To reduce the risk of injury, close supervision is necessary when the pressure washer is used near children.
9. Know how to stop the water pressure quickly. Be thoroughly familiar with the controls.
10. Keep operating area clear of all persons and animals.
11. Do not overreach or stand on unstable support. Keep good footing and balance at all times.
12. Before servicing, cleaning, or removal of any part, shut off power and relieve pressure in the washer by squeezing the trigger to empty the washer of any residual water.
13. This product is provided with a ground fault circuit interrupter built into the power cord plug. If replacement of the plug or cord is needed, use only identical replacement parts.
14. **WARNING:** Do not connect to potable water system.
15. **WARNING:** If connection is made to a potable water system, the system **MUST** be protected against backflow.

Safety is a combination of common sense, staying alert and knowing how your tool works.

SAVE THESE SAFETY INSTRUCTIONS.

ELECTRICAL INFORMATION



WARNING: DO NOT MODIFY THE PLUG PROVIDED. If it will not fit the outlet, have the proper outlet installed by a licensed electrician.

EXTENSION CORDS



WARNING: Do not immerse the pressure washer in water. Do not expose power plug or outlet to rain or water. Only use with an extension cord suitable for outdoors.

NOTE: Because the electric pressure washer already includes a 36 foot power cord, we do not recommend using any additional extension cord longer than 25 feet.

1. When using an extension cord, be sure to use one heavy enough to carry the current your product will draw. An undersized cord will cause a drop in line voltage resulting in loss of power and overheating. The table to the right shows the correct size to be used according to cord length and nameplate ampere rating. When in doubt, use a heavier cord. The smaller the gauge number, the heavier the cord.

Extension Cord Recommendations	
Cord Length	25 ft.
Wire Gauge	14 gauge

2. Make sure your extension cord is properly wired and in good condition. Always replace a damaged extension cord or have it repaired by a qualified person before using it. Protect your extension cords from sharp objects, excessive heat and damp/wet areas.

3. Use a separate electrical circuit for your tools. This circuit must not be less than a #12 wire and should be protected with a 15 A time-delayed fuse. Before connecting the motor to the power line, make sure the switch is in the OFF position and the electric current is properly rated for this item. Running at a lower voltage will damage the motor.

4. Do not abuse extension cord and do not yank on any cord to disconnect. Always disconnect the extension cord from the receptacle before disconnecting the product from the extension cord.

GROUND FAULT CIRCUIT INTERRUPTER PROTECTION (GFCI)

This pressure washer is provided with a ground-fault circuit-interrupter (GFCI) built into the plug of the power-supply cord. This device provides additional protection from the risk of electric shock. Should replacement of the plug or cord become necessary, use only identical replacement parts that include GFCI protection.

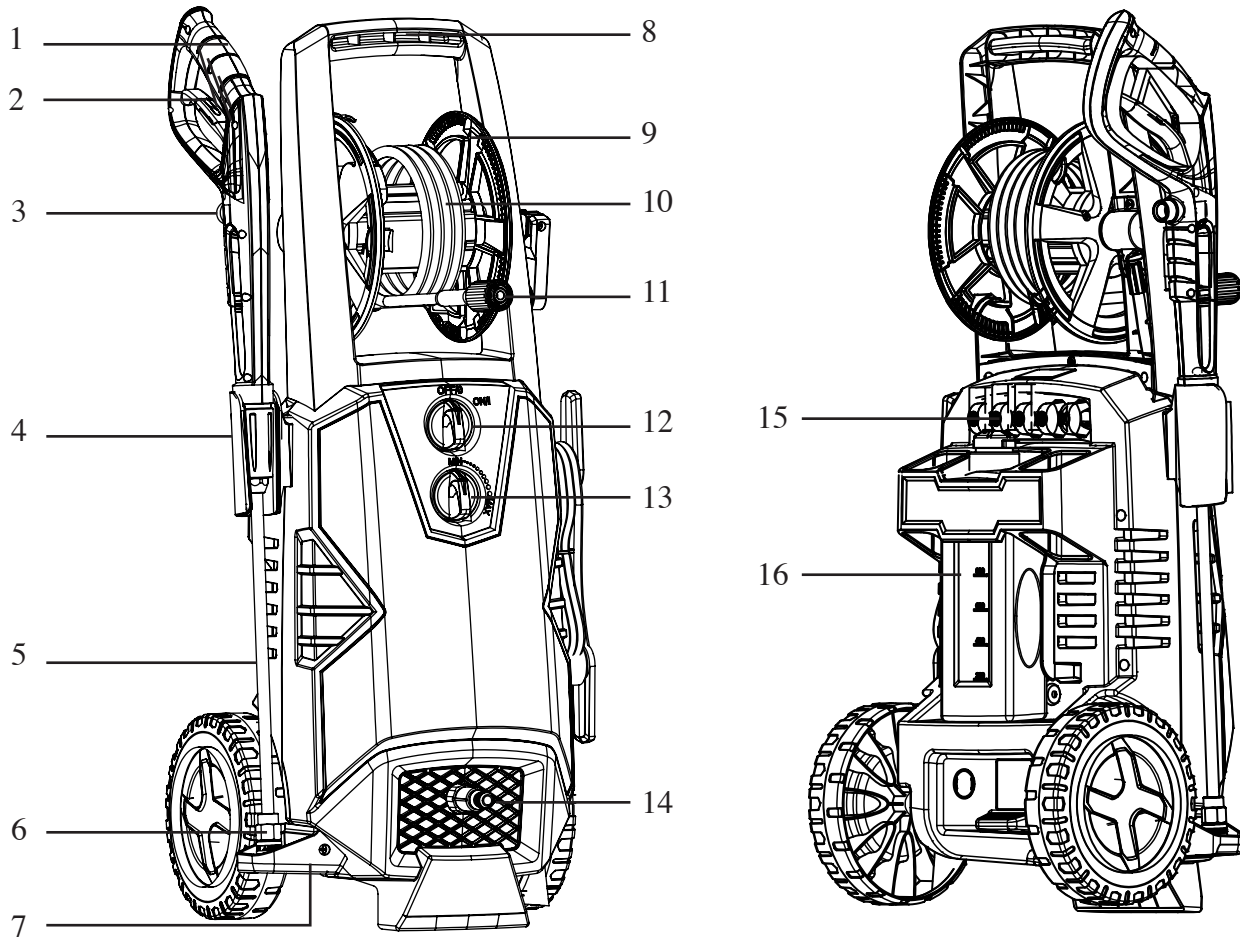
SERVICING OF A DOUBLE-INSULATED APPLIANCE



In a double-insulated product, two systems of insulation are provided instead of grounding. No grounding means is provided on a double-insulated product, nor should a means for grounding be added to the product. Servicing a double-insulated product requires extreme care and knowledge of the system, and should be done only by qualified service personnel. Replacement parts for a double-insulated product must be identical to the parts they replace. A double-insulated product is marked with the words “DOUBLE INSULATION” or “DOUBLE INSULATED.” The symbol (right) may also be marked on the product.

GET TO KNOW YOUR PRESSURE WASHER

Use the illustrations below to become familiar with the locations and functions of the various components and controls of this electric pressure washer.



- 1. Trigger Gun
- 2. Trigger with Safety Lock
- 3. High Pressure Hose Connector
- 4. Gun Holder
- 5. Spray Lance
- 6. Quick-Connect Collar
- 7. Gun Stock
- 8. Handle

- 9. Hose Reel
- 10. High Pressure Hose
- 11. High Pressure Hose Coupler
- 12. ON/OFF Switch
- 13. Detergent Adjustment Switch
- 14. Water Inlet Adapter
- 15. Nozzles (0°, 15°, 25°, 40°, Soap Nozzle)
- 16. Onboard Detergent Tank

ASSEMBLY

WARNING: Do not attempt to assemble or operate this pressure washer until you have read and understood this entire manual. If you have any problems assembling or operating this unit, please call (800) 232-1195 M-F 8-5 CST for customer service or email us at techsupport@wenproducts.com.

PACKING LIST

- Pressure Washer Body
- Trigger Gun
- Spray Lance
- Gun Holder
- Gun Stock
- Screw 4.8 mm x 12 mm
- Water Inlet Connector
- Nozzles (0°, 15°, 25°, 40° and soap nozzle)
- Nozzle Cleaner
- Operator's Manual

ASSEMBLING THE PRESSURE WASHER

1. Slide the gun holder into position and snap it in place (Fig. 1).
2. Slide the gun stock in place and tighten it with the 4.8 mm x 12 mm screw using a Phillips screwdriver (Fig. 2).
3. Install the water inlet adapter to the water inlet by rotating the silver inner collar clockwise until it is securely tightened (Fig. 3).
4. Fit the spray lance into the trigger gun and rotate it until the two parts are securely connected (Fig. 4).
5. Attach the high pressure hose coupler to the hose connector on the trigger gun by pressing the coupling together and rotating the sleeve until the two are securely mated (Fig. 5).

CONNECTING WATER SUPPLY HOSE TO THE PRESSURE WASHER

1. Inspect the inlet screen on the water inlet adapter and remove any debris.
2. Turn on the water, allowing it to run through the hose for a few seconds to flush out any debris.



WARNING: The intake water temperature must not exceed 104°F (40°C). The water supply must not exceed 101 PSI (700 kPa).

CAUTION: Only use clean water for the pressure washer. Use of unfiltered water containing corrosive chemicals will damage the unit.

3. Turn off the water. Connect the water supply hose to the orange part of the water inlet adapter and tighten by hand.

NOTE: There must be a minimum of 10 feet of unrestricted hose between pressure washer and the water faucet or shut off valve.

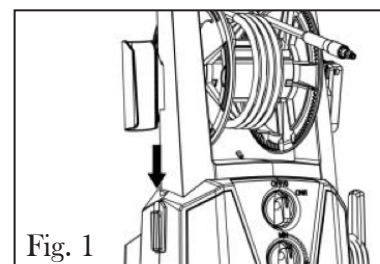


Fig. 1

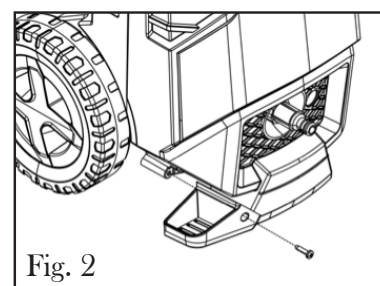


Fig. 2

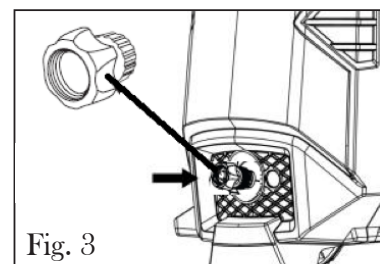


Fig. 3

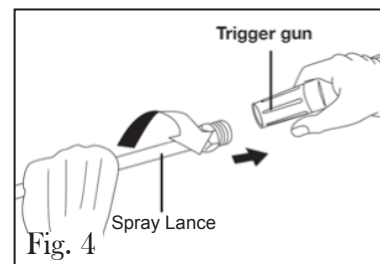


Fig. 4

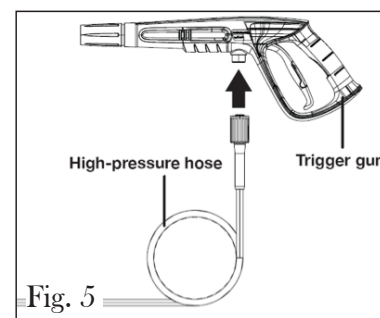
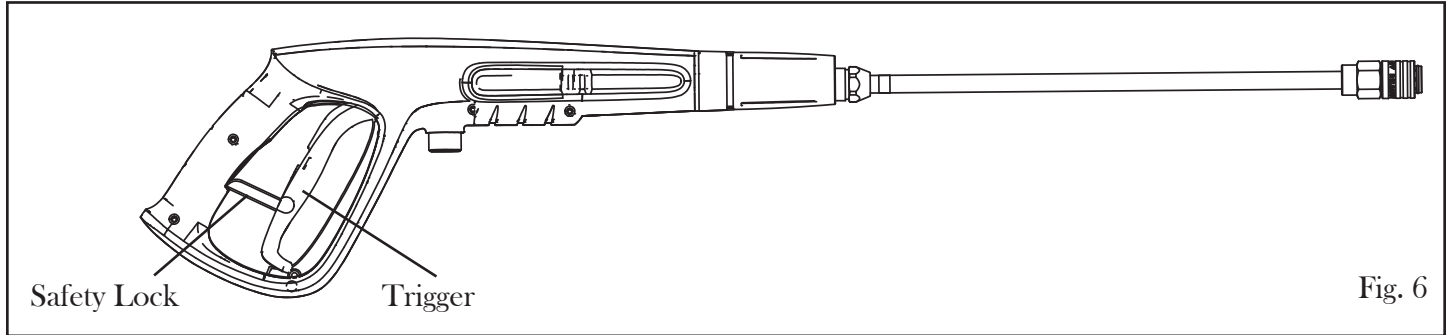


Fig. 5

OPERATION

USING THE SPRAY GUN

1. To apply safety, flip open the safety lock behind the trigger until it clicks into the slot (Fig. 6). To release safety, return the safety lock until it snaps onto the trigger.
2. Pull back the trigger to begin operating the pressure washer. Release trigger to stop the water flow.



INSTALLING THE SPRAY NOZZLE

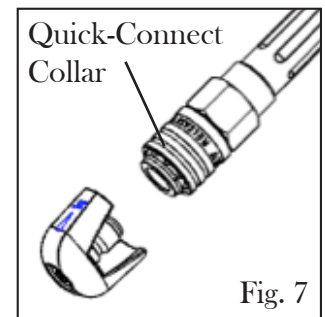


WARNING: Always turn off the pressure washer and engage the safety lock on the trigger gun before connecting and disconnecting spray nozzles to avoid injuries from accidental startups.

This electric pressure washer is equipped with five quick-connect nozzles. Determine the spray nozzle that best suits your cleaning task. Test a small area first to avoid surface damage.

- 40° nozzle (gray) - for gentle cleaning on cars, trucks, boats, patio furniture, or lawn equipment.
- 25° nozzle (green) - for general cleaning on home siding, brick patios, wood decks, driveways, or sidewalks.
- 15° nozzle (yellow) - for tough jobs like stripping paint, removing oil stains, grease or rust.
- 0° nozzle (red) - for powerful spot cleaning or hard-to-reach areas. Use extreme caution when using this nozzle!
- Soap nozzle (black) - for detergent application.

1. Make sure the pressure washer is turned off and the water supply is shut off.
2. Pull the trigger to release any pre-existing water pressure in the machine.
3. Engage the gun safety lock by flipping it open until it clicks into the slot (Fig. 6).
4. To connect the nozzle, snap the desired nozzle onto the quick-connect collar until it clicks into place (Fig. 7).



5. To disconnect the nozzle, place one hand over the nozzle and use the other hand to pull back on the quick-connect collar. **CAUTION:** the nozzle may spring out when the collar is pulled back.



WARNING: Never make changes to the nozzle while the trigger is engaged. Doing so could result in serious injury or damage to the pressure washer.



WARNING: Use extreme caution when pressure washing. Do not pressure wash when people or animals are around. Do not point the spray gun at others, as serious injury or even death could occur.

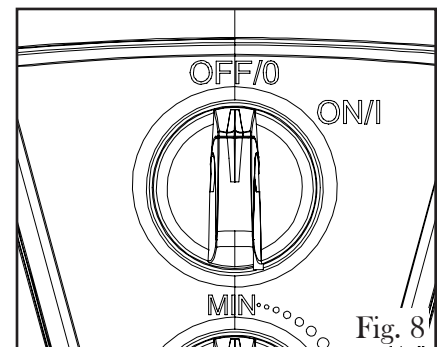
OPERATION

PREPARING AND RUNNING THE PRESSURE WASHER

1. Make sure that the washer is standing on a secure, stable surface to prevent it from tipping during operation.
2. Check that all connections are secure:
 - The water supply hose is properly fastened to the pressure washer's water inlet adapter.
 - The high pressure hose is properly fastened to the hose connector on the trigger gun.
 - The spray lance is properly attached to the trigger gun.
3. Turn on the water to its maximum flow.
4. Release the trigger safety lock and pull the trigger for a few seconds until water flow is steady. This will allow air to escape and discharge any pre-existing pressure from the gun and the hose. Then turn off the water.
5. Attach the desired nozzle onto the spray lance (see "Using Spray Nozzle").
6. Point the gun at a safe direction, aimed away from any bystanders or animals. Turn the power switch to ON and pull the trigger to begin pressure washing (Fig. 8).

IMPORTANT:

The pressure washer is equipped with a Total Stop System (TSS) that senses water flow in the pump. When the trigger is released and no water is flowing through the pump, the motor will automatically shut off to protect the pump from overheating, thus saving energy and prolonging pump life. When the power switch is in the ON position, engage the trigger to start the pump.



WARNING: Beware of kickback when pressing the trigger!

THERMAL SENSOR

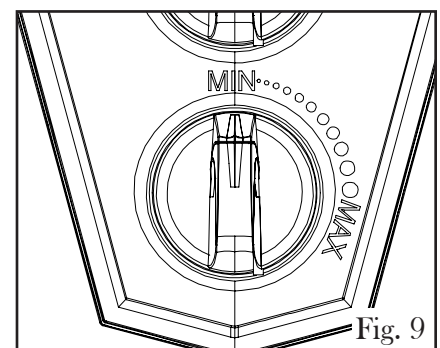
The pressure washer is equipped with a thermal sensor that protects the motor from overloading. When overloaded, the machine will shut down and restart after a few minutes once the motor has cooled down.

USING PRESSURE WASHER DETERGENT

1. The onboard detergent tank is located on the back of the pressure washer. Open the rubber cap and fill the reservoir with your preferred pressure washer detergent. The soap tank capacity is 40.6 fl. oz. (0.32 gallons).

CAUTION: Use only detergents designed for pressure washers. Use of other detergents or solvents could damage the pressure washer. Follow the instructions included with your detergent about how it should be prepared and used.

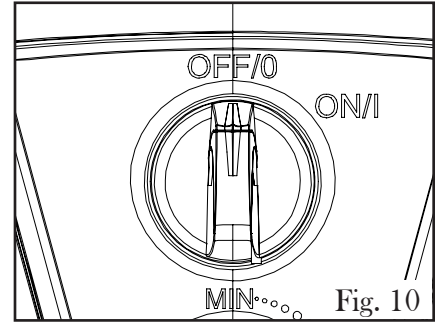
2. Only use the black soap nozzle when applying detergent.
3. Control the amount of soap dispensed by turning the detergent adjustment switch (Fig. 9).
4. To drain detergent from the unit, take out the detergent tank and dump the contents out. Afterwards, spray the gun to flush out all of the soap remaining in the unit.



OPERATION

SHUTTING DOWN THE UNIT

1. Turn the power switch to the OFF position (Fig 10).
2. Unplug the power plug from the outlet.
3. Turn off the water source.
4. Pull the trigger to relieve all the built-up pressure in the pressure washer.
5. Disconnect the water hose. **WARNING:** Only disconnect the high-pressure hose from the trigger gun or the pressure washer when there is no pressure in the system.
6. Engage the gun safety lock before storing the pressure washer.



MAINTENANCE & STORAGE



WARNING: Risk of electric shock. Always switch off the pressure washer, disconnect the power plug and turn off the water before performing any maintenance.

NOTE: Replacement parts for your pressure washer can be ordered at WENproducts.com. Use only identical replacement parts.

HIGH PRESSURE HOSE

The high pressure hose can be easily damaged and should be stored carefully. Do not kink the hose. Do not drive vehicles over the hose. Do not expose the hose to sharp objects. Inspect hose for cuts, bulges, or leaks which can develop from kinking or wear. If damage is found, replace the hose immediately.



WARNING: If the hose is damaged, do not use the unit or try to repair the hose. Always replace with an identical part before operation.

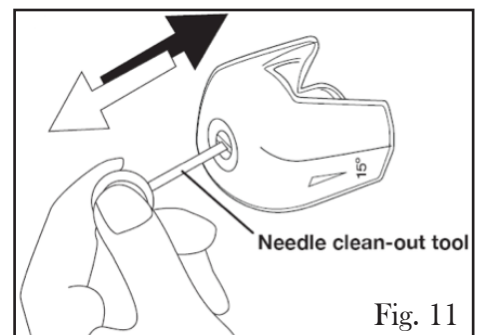
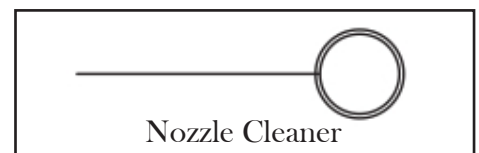
WATER INLET ADAPTER

Routinely check and clean the water inlet adapter. Remove the water inlet adapter and rinse with warm water to

SPRAY NOZZLES

Regularly clean the nozzles, preferably after every use, to prevent nozzles from clogging and ensure good performance of the machine.

1. Release the trigger, shut off the unit, unplug the power plug and turn off the water.
2. Remove the nozzle from the spray lance. **CAUTION:** the nozzle may spring out when released from the lance.
3. Use the nozzle cleaner or a small paper clip to dislodge any foreign materials that are clogging or restricting the spray tip (Fig. 11). Flush water through the back end of the nozzle and spray wand with your garden hose for 30-60 seconds to remove any debris.



MAINTENANCE & STORAGE

STORING THE PRESSURE WASHER FOR EXTENDED PERIODS:

1. Clean the spray nozzle and water inlet adapter before preparing for storage.
2. Only store your pressure washer indoors where the temperature will stay above freezing (32°F/0°C).
3. Always keep the pressure washer upright on a level surface. Cover the machine to protect it from dust.
4. It is recommended to run the unit with a pump protector or a pump conditioner before storing the unit for long periods of time. Follow the directions on your preferred pump protector or conditioner for proper use.

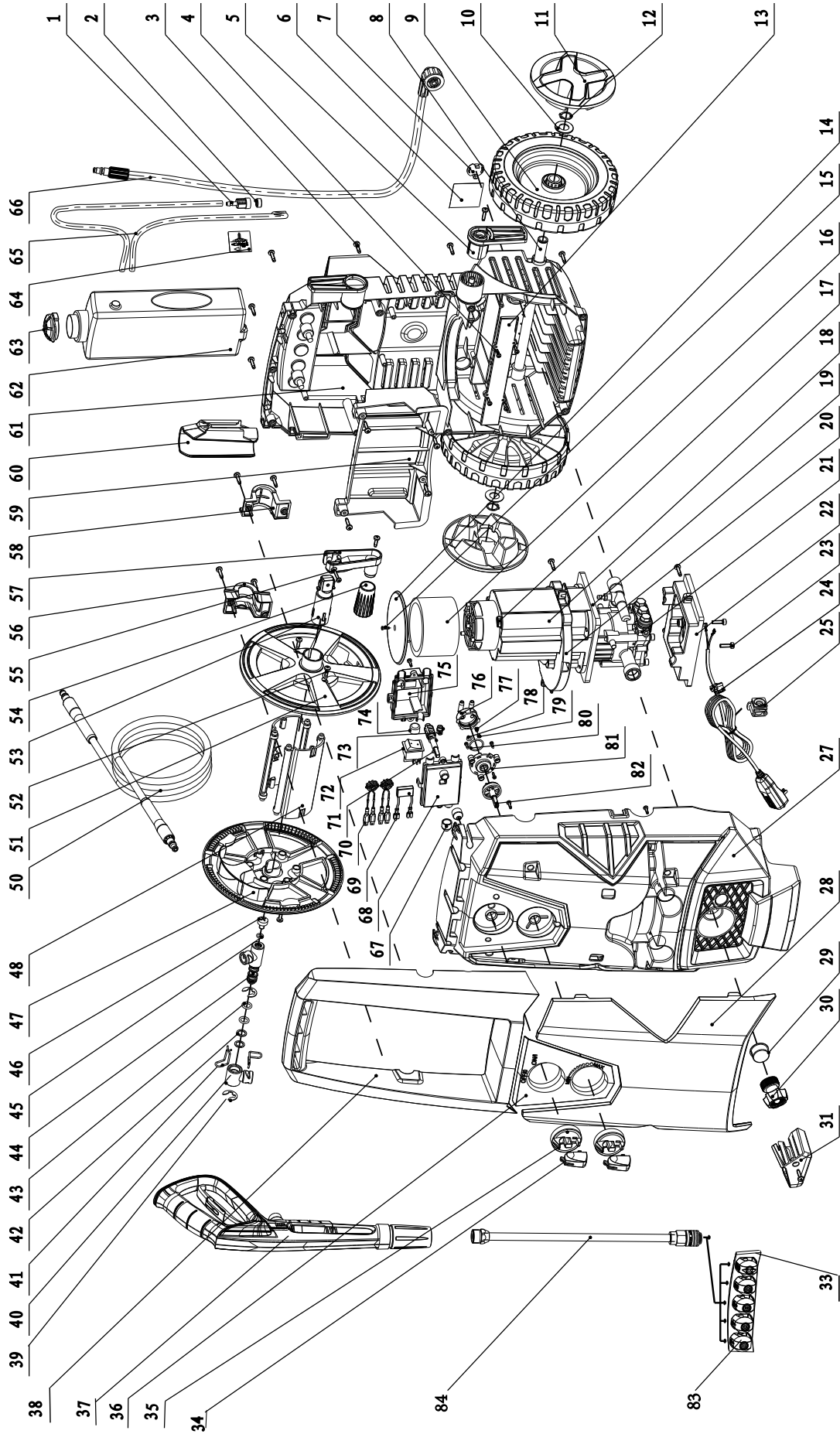
TROUBLESHOOTING



WARNING: Turn off the pressure washer and remove the power plug prior to performing any inspection or maintenance work. If trouble persists with your pressure washer, please call our customer help line at (800) 232-1195 M-F 8-5 Central Time.

PROBLEM	CAUSE	SOLUTION
Machine stops during operation.	<ol style="list-style-type: none"> 1. You blew a circuit fuse. 2. Nozzle partially blocked. 	<ol style="list-style-type: none"> 1. Replace the fuse. Turn off other products sharing the circuit before doing so. 2. Clean the nozzle.
Machine pulsating	<ol style="list-style-type: none"> 1. Air has collected in the inlet hose. 2. Insufficient water supply 3. Blocked nozzle. 4. Blocked water filter. 5. Kinked hose. 	<ol style="list-style-type: none"> 1. Allow the machine to run while holding the trigger until adequate pressure returns. 2. Make sure the water tap is open as far as possible. 3. Clean the nozzle. 4. Clean the water inlet adapter filter. 5. Unkink the hose.
Machine doesn't turn on.	<ol style="list-style-type: none"> 1. Machine not plugged in. 2. Defective socket. 3. Fuse has blown. 4. Defective extension cord. 5. Bad switch or loose wiring. 	<ol style="list-style-type: none"> 1. Plug the pressure washer into a working outlet. 2. Try a different outlet. 3. Replace the fuse. 4. Try it without an extension cord. 5. Open up the back of the unit to check the switch wiring and replace if necessary.
Fluctuating Pressure	<ol style="list-style-type: none"> 1. Pump bringing in air. 2. Dirty or broken valves. 3. Pump seals are worn out. 	<ol style="list-style-type: none"> 1. Tighten the hose connections and make sure they are air tight. 2. Clean/replace the valves. 3. Order replacement seals (call 1-800-232-1195).
Machine starts and stops by itself.	<ol style="list-style-type: none"> 1. Leaking pump/spray gun. 2. Broken trigger on spray gun. 3. Thermal sensor activated 4. Ghost in machine. 	<ol style="list-style-type: none"> 1 & 2. Call 1-800-232-1195 for assistance. 3. Leave the washer for 5 minutes to cool down. 4. Persuade the ghost to leave.
Machine starts without any water	<ol style="list-style-type: none"> 1. No water supply. 2. Frozen pump/hose. 3. Blocked water filter. 4. Blocked nozzle. 	<ol style="list-style-type: none"> 1. Connect the water supply. 2. Thaw out your frozen stuff. 3. Clean out the water inlet adapter filter. 4. Unblock and clean the nozzle.

EXPLODED VIEW AND PARTS LIST



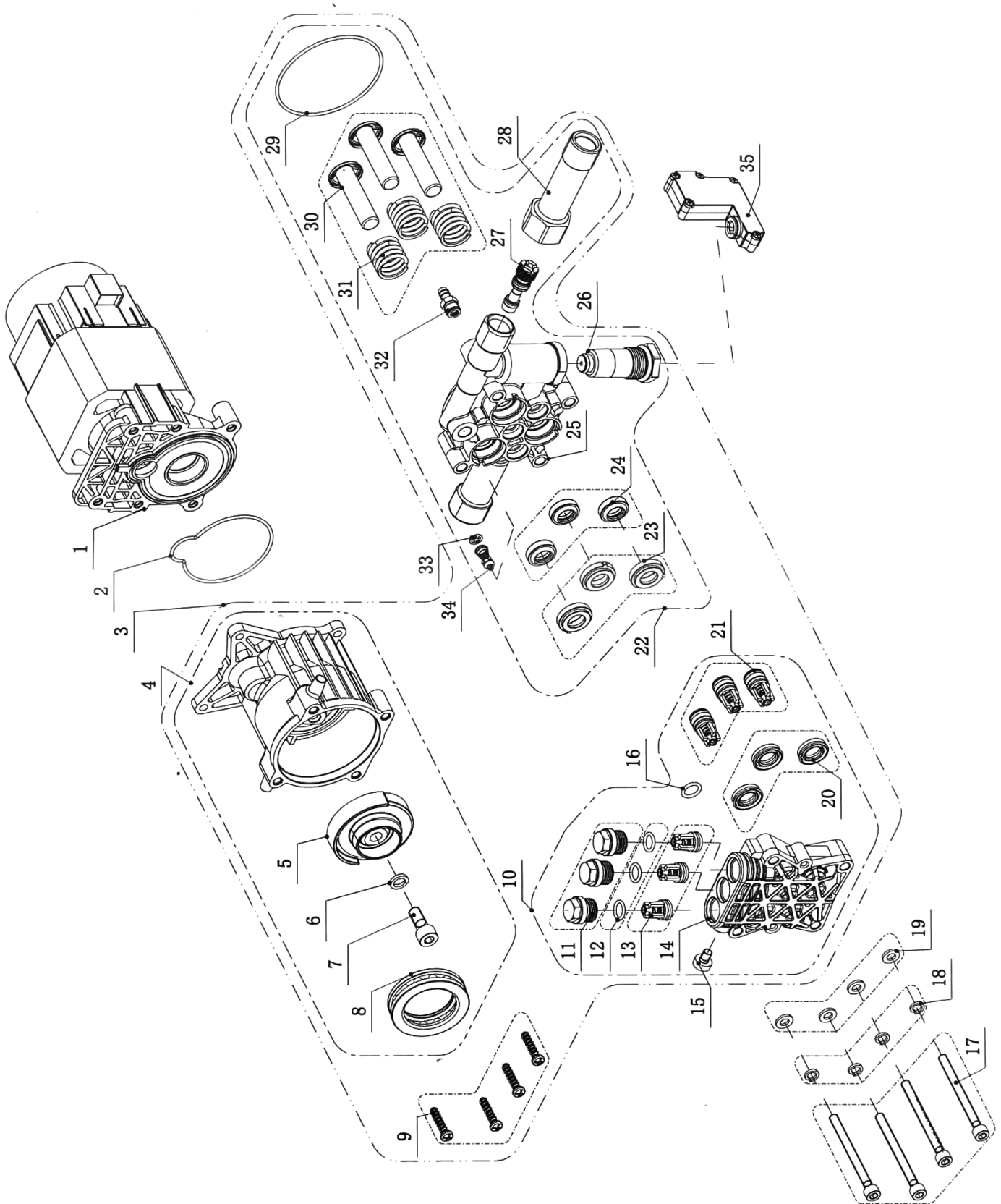
EXPLODED VIEW AND PARTS LIST

No.	Part No.	Description	Qty
1	PW20-021	Spray Spigot	1
2	PW21-002	Spray Plug	1
3	PW21-003	Screw ST4.8*20	23
4	PW20-008	Screw ST3.5*13F	13
5	PW21-005	Rotary Handle	1
6	PW21-006	Rating Label	1
7	PW21-007	Water Outlet Cover	1
8	PW21-008	Axle	1
9	PW21-009	Wheel	2
10	PW21-010	Flat Washer	2
11	PW21-011	Wheel Cover	2
12	PW21-012	External Circlip	2
13	PW21-013	Waterproof Board	1
14	PW21-014	Fan Cover Cap	1
15	PW20-018	Screw ST3X12	5
16	PW21-016	Fan Cover Rear Filter Screen	1
17	PW21-017	Water Proof Sheath	2
18	PW21-018	C Type Fan Cover	1
19	PW21-019	Fan Cover Front Filter Screen	1
20	PW21-020	Motor Holder	1
21	PW21-021	Motor+Pump 9650+P08	1
22	PW21-022	Pump Base	1
23	PW21-023	Screw M5X18	2
24	PW21-024	Cable	1
25	PW20-020	Cable Sheath	1
27	PW21-027	Front Housing	1
28	PW21-028	Front Housing Decorative Sheet	1
29	PW20-027	Water Inlet Tube Sheath	1
30	PW20-026	Inlet Water Nut Assembly	1
31	PW21-031	Gunstock	1
33	PW21-033	Nozzle Holder	1
34	PW21-034	Switch Cover	1
35	PW21-035	On/Off Switch	2
36	PW21-036	Switch Deck	1
37	PW21-037	Spray Gun Ylg06	1
38	PW21-038	Handle	1
39	PW21-039	Split Washer	2
40	PW21-040	Three Way Valve Sheath	1
41	PW21-041	U Pin	2
42	PW21-042	Rubber Mat	1
43	PW21-043	O-Ring1.2X2.65/80Hs/Rohs	2

No.	Part No.	Description	Qty
44	PW21-044	Three Way Valve	1
45	PW21-045	O-Ring7.5X2/80Hs/Rohs	1
46	PW21-046	Screw M8*10	1
47	PW21-047	Left Flange	1
48	PW21-048	Hose Reel Hub	2
50	PW21-050	8M Steel Wired Rubber Hose	1
51	PW21-051	Right Flange	1
52	PW21-052	Screw ST4.8X16	5
53	PW21-053	Wheel Rocker	1
54	PW21-054	Crank Sheath	1
55	PW21-055	Screw ST4.2X25	1
56	PW21-056	Left Binder Plate	1
57	PW21-057	Rocking Handle	1
58	PW21-058	Right Binder Plate	1
59	PW21-059	Baffle	1
60	PW21-060	Gun Holder	1
61	PW21-061	Rear Housing	1
62	PW21-062	Detergent Tank	1
63	PW20-013	Tank Cover	1
64	PW21-064	Warnng Label	1
65	PW21-065	Soft Tube	1
66	PW21-066	Inner Pressure Hose	1
67	PW21-067	Waterproof Cap	4
68	PW21-068	Switch Cover	1
69	PW21-069	Button Pole	1
70	PW20-035	Switch	1
71	PW21-071	Waterproof Plug	1
72	PW21-072	Waterproof Box	1
73	PW21-073	Switch Box	1
74	PW21-074	Detergent Valve Sleeve	1
75	PW21-075	Spring	1
76	PW21-076	O-Ring 5X2/70Hs/Rohs	1
77	PW21-077	Pin	1
78	PW21-078	O-Ring 20X2/70Hs/Rohs	1
79	PW21-079	Detergent Valve Plate	1
80	PW21-080	Detergent Valve Plug	1
81	PW21-081-1	Detergent Nozzle	1
	PW21-081-2	40° Nozzle	1
	PW21-081-3	0° Nozzle	1
	PW21-081-4	15° Nozzle	1
	PW21-081-5	25° Nozzle	1
82	PW21-082	Quick Lance	1

EXPLODED VIEW AND PARTS LIST

PUMP:



EXPLODED VIEW AND PARTS LIST

No.	Part No.	Description	Qty.
1	PW21-101	Induction Motor	1
2	PW21-102	Peach Shape Ring	1
3	PW21-103	Pump Assembly	1
4	PW21-104	Gear Box Assembly	1
5	PW21-105	Wobble Plate	1
6	PW21-106	Washer	1
7	PW21-107	Inner Hexagon Screw	1
8	PW21-108	Bearing	1
9	PW21-109	ST Screw	4
10	PW21-110	Pump Head Assembly	1
11	PW21-111	Check Valve Nut	3
12	PW21-112	O-Ring	3
13	PW21-113	Outlet Valve Kit	3
14	PW21-114	Cylinder Head	1
15	PW21-115	Screw	1
16	PW21-116	O-Ring	1
17	PW21-117	Inner Hexagon Screw	4
18	PW21-118	Elastic Washer	4
19	PW21-119	Washer	4
20	PW21-120	Y-Ring	3
21	PW21-121	Inlet Valve Kit	3
22	PW21-122	Piston Body Assembly	1
23	PW21-123	Pump Head	3
24	PW21-124	Water Seal	3
25	PW21-125	Outlet Valve Kit	1
26	PW21-126	Bypassing Valve Kit	1
27	PW21-127	Venturi Tube Assyembly	1
28	PW21-128	Outlet-85-Assembly	1
29	PW21-129	O-Ring	1
30	PW21-130	Piston Assembly	3
31	PW21-131	Piston Spring	1
32	PW21-132	Suction Nipple Assembly	1
33	PW21-133	Cone Spring Base	1
34	PW21-134	Total Vave Kit	1
35	PW21-135	Micro Switch Assembly	1

LIMITED TWO YEAR WARRANTY

WEN Products is committed to building tools that are dependable for years. Our warranties are consistent with this commitment and our dedication to quality.

LIMITED WARRANTY OF WEN CONSUMER POWER TOOLS PRODUCTS FOR HOME USE

GREAT LAKES TECHNOLOGIES, LLC (“Seller”) warrants to the original purchaser only, that all WEN consumer power tools will be free from defects in material or workmanship for a period of two (2) years from date of purchase. Ninety days for all WEN products, if the tool is used for professional use.

SELLER’S SOLE OBLIGATION AND YOUR EXCLUSIVE REMEDY under this Limited Warranty and, to the extent permitted by law, any warranty or condition implied by law, shall be the repair or replacement of parts, without charge, which are defective in material or workmanship and which have not been misused, carelessly handled, or misrepaired by persons other than Seller or Authorized Service Center. To make a claim under this Limited Warranty, you must make sure to keep a copy of your proof of purchase that clearly defines the Date of Purchase (month and year) and the Place of Purchase. Place of purchase must be a direct vendor of Great Lakes Technologies, LLC. Third party vendors such as garage sales, pawn shops, resale shops, or any other secondhand merchant void the warranty included with this product. Contact techsupport@wenproducts.com or 1-800-232-1195 to make arrangements for repairs and transportation.

When returning a product for warranty service, the shipping charges must be prepaid by the purchaser. The product must be shipped in its original container (or an equivalent), properly packed to withstand the hazards of shipment. The product must be fully insured with a copy of the warranty card and/or the proof of purchase enclosed. There must also be a description of the problem in order to help our repairs department diagnose and fix the issue. Repairs will be made and the product will be returned and shipped back to the purchaser at no charge.

THIS LIMITED WARRANTY DOES NOT APPLY TO ACCESSORY ITEMS THAT WEAR OUT FROM REGULAR USAGE OVER TIME INCLUDING BELTS, BRUSHES, BLADES, ETC. ANY IMPLIED WARRANTIES SHALL BE LIMITED IN DURATION TO TWO (2) YEARS FROM DATE OF PURCHASE. SOME STATES IN THE U.S., SOME CANADIAN PROVINCES DO NOT ALLOW LIMITATIONS ON HOW LONG AN IMPLIED WARRANTY LASTS, SO THE ABOVE LIMITATION MAY NOT APPLY TO YOU.

IN NO EVENT SHALL SELLER BE LIABLE FOR ANY INCIDENTAL OR CONSEQUENTIAL DAMAGES (INCLUDING BUT NOT LIMITED TO LIABILITY FOR LOSS OF PROFITS) ARISING FROM THE SALE OR USE OF THIS PRODUCT. SOME STATES IN THE U.S. AND SOME CANADIAN PROVINCES DO NOT ALLOW THE EXCLUSION OR LIMITATION OF INCIDENTAL OR CONSEQUENTIAL DAMAGES, SO THE ABOVE LIMITATION OR EXCLUSION MAY NOT APPLY TO YOU.

THIS LIMITED WARRANTY GIVES YOU SPECIFIC LEGAL RIGHTS, AND YOU MAY ALSO HAVE OTHER RIGHTS WHICH VARY FROM STATE TO STATE IN THE U.S., PROVINCE TO PROVINCE IN CANADA AND FROM COUNTRY TO COUNTRY.

THIS LIMITED WARRANTY APPLIES ONLY TO PORTABLE ELECTRIC TOOLS, BENCH POWER TOOLS, OUTDOOR POWER EQUIPMENT AND PNEUMATIC TOOLS SOLD WITHIN THE UNITED STATES OF AMERICA, CANADA AND THE COMMONWEALTH OF PUERTO RICO. FOR WARRANTY COVERAGE WITHIN OTHER COUNTRIES, CONTACT THE WEN CUSTOMER SUPPORT LINE.