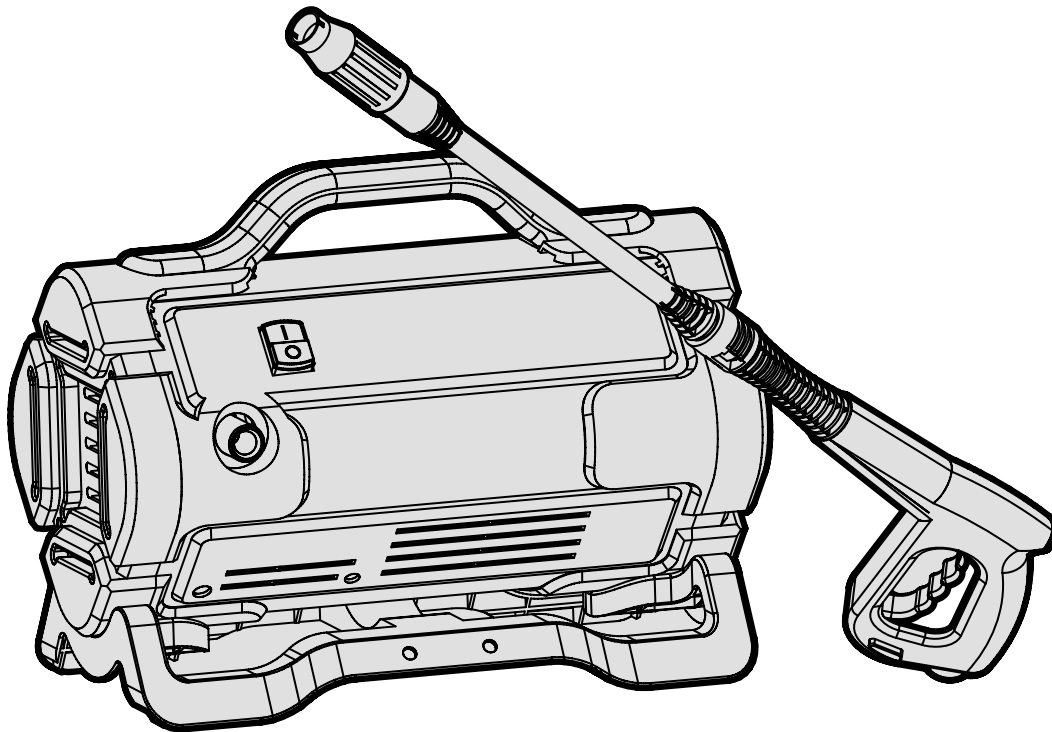




**MODEL PW1900**

# ***2000 PSI ELECTRIC PRESSURE WASHER***

**Instruction Manual**



## ***NEED HELP? CONTACT US!***

Have product questions? Need technical support? Please feel free to contact us:



**1-800-232-1195 (M-F 8AM-5PM CST)**



**TECHSUPPORT@WENPRODUCTS.COM**

**IMPORTANT:** Your new tool has been engineered and manufactured to WEN's highest standards for dependability, ease of operation, and operator safety. When properly cared for, this product will supply you years of rugged, trouble-free performance. Pay close attention to the rules for safe operation, warnings, and cautions. If you use your tool properly and for its intended purpose, you will enjoy years of safe, reliable service.

For replacement parts and the most up-to-date instruction manuals, visit ***WENPRODUCTS.COM***


# CONTENTS

<b>WELCOME</b>	<b>3</b>
Introduction .....	3
Specifications.....	3
<b>SAFETY</b>	<b>4</b>
General Safety Rules .....	4
Pressure Washer Safety Warnings.....	6
Electrical Information.....	8
<b>BEFORE OPERATING</b>	<b>9</b>
Unpacking & Packing List .....	9
Know Your Pressure Washer .....	9
Assembly & Adjustments.....	10
<b>OPERATION &amp; MAINTENANCE</b>	<b>12</b>
Operation .....	12
Maintenance.....	14
Troubleshooting Guide.....	15
Exploded View & Parts List.....	16
Warranty Statement .....	18

To purchase accessories and replacement parts for your tool, visit **WENPRODUCTS.COM**

## INTRODUCTION

Thanks for purchasing the WEN Electric Pressure Washer. We know you are excited to put your tool to work, but first, please take a moment to read through the manual. Safe operation of this tool requires that you read and understand this operator's manual and all the labels affixed to the tool. This manual provides information regarding potential safety concerns, as well as helpful assembly and operating instructions for your tool.

 Indicates danger, warning, or caution. The safety symbols and the explanations with them deserve your careful attention and understanding. Always follow the safety precautions to reduce the risk of fire, electric shock or personal injury. However, please note that these instructions and warnings are not substitutes for proper accident prevention measures.

**NOTE:** The following safety information is not meant to cover all possible conditions and situations that may occur. WEN reserves the right to change this product and specifications at any time without prior notice.

At WEN, we are continuously improving our products. If you find that your tool does not exactly match this manual, please visit [wenproducts.com](http://wenproducts.com) for the most up-to-date manual or contact our customer service at **1-800-232-1195**.

**Keep this manual available to all users during the entire life of the tool and review it frequently to maximize safety for both yourself and others.**

## SPECIFICATIONS

Model Number	PW1900
Motor	AC 120V, 60 Hz, 13A
Rated Pressure	1300 PSI
Maximum Pressure	2000 PSI
Maximum Flow Rate	1.6 GPM
Rated Water Temperature	32°F to 104°F
Maximum Inlet Pressure	60 PSI
Minimum Inlet Pressure	30 PSI
High Pressure Hose Length	16.5 Feet
Power Cord Length	36 Feet
Detergent Bottle Capacity	13 fl. oz.
Product Dimensions	15-3/4 in. x 9 in. x 12 in.
Product Weight	14.3 Pounds

# GENERAL SAFETY RULES

 **WARNING!** Read all safety warnings and all instructions. Failure to follow the warnings and instructions may result in electric shock, fire and/or serious injury.

Safety is a combination of common sense, staying alert and knowing how your item works. The term “power tool” in the warnings refers to your mains-operated (corded) power tool or battery-operated (cordless) power tool.

## SAVE THESE SAFETY INSTRUCTIONS.

### WORK AREA SAFETY

- 1. Keep work area clean and well lit.** Cluttered or dark areas invite accidents.
- 2. Do not operate power tools in explosive atmospheres, such as in the presence of flammable liquids, gases or dust.** Power tools create sparks which may ignite the dust or fumes.
- 3. Keep children and bystanders away while operating a power tool.** Distractions can cause you to lose control.

### ELECTRICAL SAFETY

- 1. Power tool plugs must match the outlet. Never modify the plug in any way. Do not use any adapter plugs with earthed (grounded) power tools.** Unmodified plugs and matching outlets will reduce risk of electric shock.
- 2. Avoid body contact with earthed or grounded surfaces such as pipes, radiators, ranges and refrigerators.** There is an increased risk of electric shock if your body is earthed or grounded.
- 3. Do not expose power tools to rain or wet conditions.** Water entering a power tool will increase the risk of electric shock.
- 4. Do not abuse the cord. Never use the cord for carrying, pulling or unplugging the power tool. Keep cord away from heat, oil, sharp edges or moving parts.** Damaged or entangled cords increase the risk of electric shock.
- 5. When operating a power tool outdoors, use an extension cord suitable for outdoor use.** Use of a cord suitable for outdoor use reduces the risk of electric shock.

- 6. If operating a power tool in a damp location is unavoidable, use a ground fault circuit interrupter (GFCI) protected supply.** Use of a GFCI reduces the risk of electric shock.

### PERSONAL SAFETY

- 1. Stay alert, watch what you are doing and use common sense when operating a power tool. Do not use a power tool while you are tired or under the influence of drugs, alcohol or medication.** A moment of inattention while operating power tools may result in serious personal injury.
- 2. Use personal protective equipment. Always wear eye protection.** Protective equipment such as a respiratory mask, non-skid safety shoes and hearing protection used for appropriate conditions will reduce the risk of personal injury.
- 3. Prevent unintentional starting. Ensure the switch is in the off-position before connecting to power source and/or battery pack, picking up or carrying the tool.** Carrying power tools with your finger on the switch or energizing power tools that have the switch on invites accidents.
- 4. Remove any adjusting key or wrench before turning the power tool on.** A wrench or a key left attached to a rotating part of the power tool may result in personal injury.
- 5. Do not overreach. Keep proper footing and balance at all times.** This enables better control of the power tool in unexpected situations.
- 6. Dress properly. Do not wear loose clothing or jewelry. Keep your hair and clothing away from moving parts.** Loose clothes, jewelry or long hair can be caught in moving parts.

# GENERAL SAFETY RULES

 **WARNING!** Read all safety warnings and all instructions. Failure to follow the warnings and instructions may result in electric shock, fire and/or serious injury.

Safety is a combination of common sense, staying alert and knowing how your item works. The term “power tool” in the warnings refers to your mains-operated (corded) power tool or battery-operated (cordless) power tool.

## SAVE THESE SAFETY INSTRUCTIONS.

**7. If devices are provided for the connection of dust extraction and collection facilities, ensure these are connected and properly used.** Use of dust collection can reduce dust-related hazards.

### POWER TOOL USE AND CARE

**1. Do not force the power tool. Use the correct power tool for your application.** The correct power tool will do the job better and safer at the rate for which it was designed.

**2. Do not use the power tool if the switch does not turn it on and off.** Any power tool that cannot be controlled with the switch is dangerous and must be repaired.

**3. Disconnect the plug from the power source and/or the battery pack from the power tool before making any adjustments, changing accessories, or storing power tools.** Such preventive safety measures reduce the risk of starting the power tool accidentally.

**4. Store idle power tools out of the reach of children and do not allow persons unfamiliar with the power tool or these instructions to operate the power tool.** Power tools are dangerous in the hands of untrained users.

**5. Maintain power tools. Check for misalignment or binding of moving parts, breakage of parts and any other condition that may affect the power tool's operation. If damaged, have the power tool repaired before use.** Many accidents are caused by poorly maintained power tools.

**6. Keep cutting tools sharp and clean.** Properly maintained cutting tools with sharp cutting edges are less likely to bind and are easier to control.

**7. Use the power tool, accessories and tool bits, etc. in accordance with these instructions, taking into account the working conditions and the work to be performed.** Use of the power tool for operations different from those intended could result in a hazardous situation.

**8. Use clamps to secure your workpiece to a stable surface.** Holding a workpiece by hand or using your body to support it may lead to loss of control.

**9. KEEP GUARDS IN PLACE** and in working order.

### SERVICE

**1. Have your power tool serviced by a qualified repair person using only identical replacement parts.** This will ensure that the safety of the power tool is maintained.

### CALIFORNIA PROPOSITION 65 WARNING

Some dust created by power sanding, sawing, grinding, drilling, and other construction activities may contain chemicals, including lead, known to the State of California to cause cancer, birth defects, or other reproductive harm. Wash hands after handling. Some examples of these chemicals are:

- Lead from lead-based paints.
- Crystalline silica from bricks, cement, and other masonry products.
- Arsenic and chromium from chemically treated lumber.

Your risk from these exposures varies depending on how often you do this type of work. To reduce your exposure to these chemicals, work in a well-ventilated area with approved safety equipment such as dust masks specially designed to filter out microscopic particles.

# PRESSURE WASHER SAFETY WARNINGS

 **WARNING!** Do not operate the power station until you have read and understood the following instructions and the warning labels.

## BEFORE OPERATION

**1. Know Your Tool.** Be thoroughly familiar with the controls of your pressure washer. Know how to stop the water pressure quickly by releasing the trigger, shutting off the unit and turning off the water supply.

**2. Use Suitable Components.** This system is capable of producing pressure up to 2000 PSI/13,800 kPa. To avoid rupture and injury, do not operate this pump with components rated less than 2000 PSI/13,800 kPa working pressure (including but not limited to spray guns, hoses and hose connections).

**3. Operating Environment.** Keep bystanders, children and animals at a safe distance away from the work area. Do not operate near flammable materials or explosive vapors.

**4. Wear Safety Equipment.** For protection against injury, wear safety goggles and ear protection. Wear rubber-soled shoes during operation to reduce the risk of electric shock.

**5. Preliminary Unit Inspection.** Thoroughly inspect the unit and accessories prior to operation. Make sure all the parts are secured and installed correctly. Do not use plugs or cords that show signs of damage such as broken or cracked insulation. Have damaged items repaired or replaced as necessary. Always perform a test run the first time you use the tool or after replacing parts to ensure that the unit is functioning properly.

**6. Malfunctioning Switch.** Do not use the tool if the switch does not turn on and off. Any electrical appliance that cannot be controlled by the switch is not safe to use and must be repaired.

**7. Detergent Safety.** Always be aware of the dangers associated with the detergents and chemicals that you are working with. Follow the warnings and instructions that come with your detergent for proper use.

## WATER SUPPLY REQUIREMENTS

**1. Cold water ONLY.** Use the pressure washer with cold water only. The water supply temperature must not exceed 104°F/40°C.

**2. Potable Water Restrictions.** When connecting the water inlet to the water supply mains, local regulations of your water company must be observed. In some areas the unit must not be connected directly to the public drinking water supply. This is to ensure that there is no feedback of chemicals into the water supply. If connection is made to a potable water system, the system **MUST** be protected against backflow. Direct connection via a receiver tank or backflow preventer, for example, is permitted.

**3. Avoiding Dirt.** Always prevent debris from being drawn into the unit by using a clean water source. Dirt in the feed water will damage the unit. Your washer is pre-installed with a water filter inside the water inlet. Inspect and clean the filter regularly. Never use the pressure washer to draw in water contaminated with solvents, e.g. paint thinners, gasoline, oil, etc.

**4. Water Flow.** The garden hose must be at least 5/8 inch in diameter. Flow rate of water supply must not fall below 2 GPM (gallons per minute).

# ***PRESSURE WASHER SAFETY WARNINGS***

 **WARNING!** Do not operate the power station until you have read and understood the following instructions and the warning labels.

## **OPERATING THE PRESSURE WASHER**

**1. Stay Alert.** Watch what you are doing and use common sense when operating your tool. Do not use the tool while you are tired or under the influence of drugs, alcohol, or medication. A moment of inattention during operation may result in serious bodily injury.

**2. Injection Hazard.** The high pressure stream of water can cut through skin and cause serious injury. Keep clear of the nozzle. Never direct the discharge stream at any bystanders, animals or your foot.

**3. Risk of Explosion.** Do not operate power tools in explosive atmospheres, such as in the presence of flammable liquids, gases or dust. Do not spray flammable liquids.

**4. Risk of Electric Shock.** Do not spray electrical apparatus and wiring. Do not spray the power source or the outlet. Don't pressure wash the pressure washer.

**5. Tool Purpose.** Learn your tool's applications and limitations as well as the specific potential hazards related to this machine. Only use the pressure washer for its intended purposes. Otherwise, you may cause mechanical defects, serious damage or personal injury.

**6. Do not Overreach.** Keep proper footing and balance at all times. This enables better control of the unit in unexpected situations and will also prevent you from falling down and embarrassing yourself in front of your cool neighbor Greg. When stepping backwards, be cautious about any obstacles beneath your feet or behind you in order to avoid falling.

**7. Avoid Accidental Start-ups.** Make sure the power switch is in the OFF position before connecting the plug to a power source or carrying the tool. Engage the gun safety lock whenever the machine is not in use.

**8. Gun Kicks Back.** Hold the gun firmly with both hands. Kickback from operation can cause the user to fall down. Always operate the pressure washer on a level and non-elevated surface to prevent the risk of falling.

**9. Shut Down The Unit.** Never leave your unit running while unattended. Unplug the unit before leaving for extended periods of time.

**10. Maintenance.** Before cleaning, changing accessories, or performing any maintenance, shut off and disconnect the unit from the electrical supply, then relieve pressure in the washer by squeezing the trigger to empty the washer of any residual water.

**11. Storage.** Store your machine and accessories indoors. Never store the pressure washer outdoors. If the pump freezes, permanent damage may result. Always keep tools clean and in good working order.

**12. Replacement Parts.** Use only identical replacement parts. Use of any other part can cause personal injury and damage to the tool. Only have your power tool serviced by a qualified repair person.



## ***ELECTRICAL INFORMATION***

### **DOUBLE-INSULATED TOOL**

The tool's electrical system is double-insulated where two systems of insulation are provided. This eliminates the need for the usual three-wire grounded power cord. Double-insulated tools do not need to be grounded, nor should a means for grounding be added to the product. All exposed metal parts are isolated from the internal metal components with protecting insulation.



**IMPORTANT:** Servicing a double-insulated product requires extreme care and knowledge of the system, and should be done only by qualified service personnel using identical replacement parts. Always use original factory replacement parts when servicing.

**1. Polarized Plugs.** To reduce the risk of electric shock, this equipment has a polarized plug (one blade is wider than the other). This plug will fit in a polarized outlet only one way. If the plug does not fit fully in the outlet, reverse the plug. If it still does not fit, contact a qualified electrician to install a proper outlet. Do not modify the machine plug or the extension cord in any way.

**1. Ground fault circuit interrupter Protection (GFCI).** This pressure washer is provided with a ground-fault circuit-interrupter (GFCI) built into the plug of the power-supply cord. This device provides additional protection from the risk of electric shock. Should replacement of the plug or cord become necessary, use only identical replacement parts that include GFCI protection.

**2. Service and repair.** To avoid danger, electrical appliances must only be repaired by a qualified service technician using original replacement parts.

### **GUIDELINES AND RECOMMENDATIONS FOR EXTENSION CORDS**

Use of an extension cord with this product is NOT recommended. If an extension cord must be used, use only a UL-, CSA- or ETL-rated extension cord that are intended for outdoor use to prevent electric shock. These cords are identified by a marking, "Acceptable for use with outdoor appliances, store indoors while not in use."

1. Only use extension cords that can handle the voltage and amperage rating of this product. The extension cord must be 14 gauge or heavier, and the length must not exceed 25 feet.

2. Examine extension cord before use. Make sure your extension cord is properly wired and in good condition. Always replace a damaged extension cord or have it repaired by a qualified person before using it.

3. Do not abuse extension cord. Do not pull on cord to disconnect from receptacle; always disconnect by pulling on plug. Disconnect the extension cord from the receptacle before disconnecting the product from the extension cord. Protect your extension cords from sharp objects, excessive heat and damp/wet areas.

4. Use a separate electrical circuit for your tool. This circuit must not be less than a 12-gauge wire and should be protected with a 15A time-delayed fuse. Before connecting the motor to the power line, make sure the switch is in the OFF position and the electric current is rated the same as the current stamped on the motor nameplate. Running at a lower voltage will damage the motor.



# UNPACKING & PACKING LIST

## UNPACKING

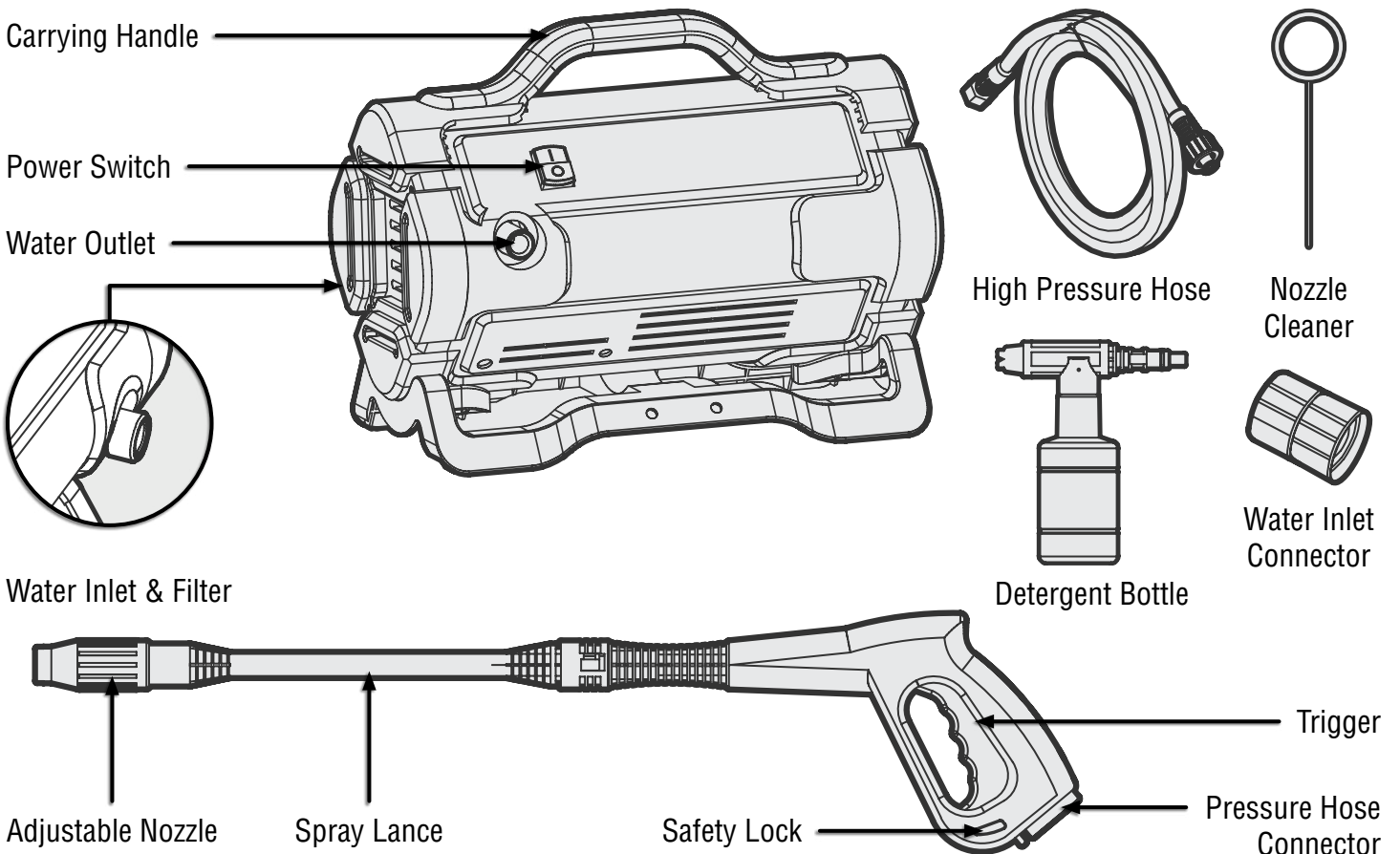
Carefully remove the electric pressure washer from the packaging and place it on a sturdy, flat surface. Make sure to take out all contents and accessories. Do not discard the packaging until everything is removed. Check the packing list below to make sure you have all of the parts and accessories. If any part is missing or broken, please contact customer service at **1-800-232-1195** (M-F 8-5 CST), or email [techsupport@wenproducts.com](mailto:techsupport@wenproducts.com).

NO.	DESCRIPTION	QNTY.
1	Electric Pressure Washer	1
2	High Pressure Hose	1
3	Spray Lance	1
4	Detergent Bottle (13 fl. oz.)	1
5	Water Inlet Filter (Pre-Installed Inside Water Inlet)	1
6	Water Inlet Connector	1
7	Nozzle Cleaner	1

## KNOW YOUR PRESSURE WASHER

### TOOL PURPOSE

Put the stains and unwanted buildup in your life under pressure with your WEN Electric Pressure Washer. Refer to the following diagrams to become familiarized with all the parts and controls of your pressure washer. The components will be referred to later in the manual for assembly and operation instructions.

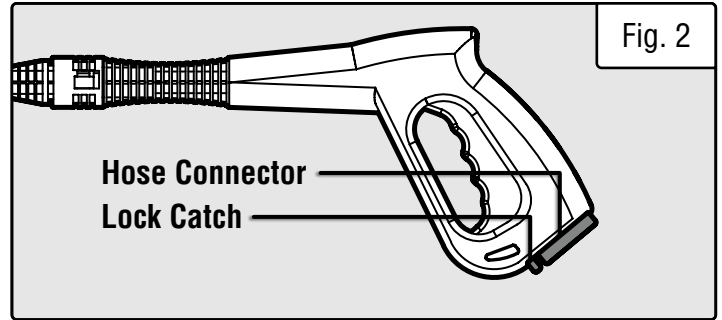
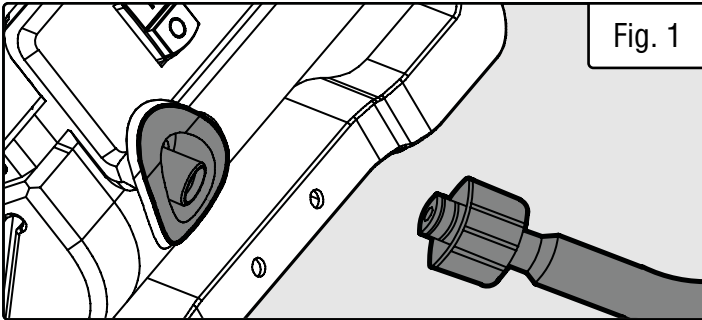


## ASSEMBLY & ADJUSTMENTS

**⚠ WARNING!** To avoid injury from accidental startups, be sure that the tool is switched off and disconnected from the power supply before performing assembly, inspection or adjustments.

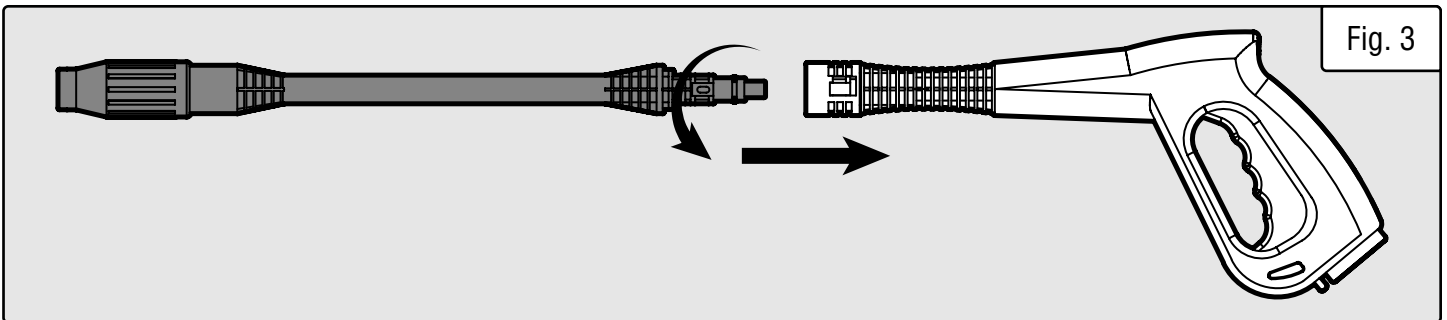
### ASSEMBLING THE HIGH PRESSURE HOSE

1. Remove the white cap. Connect the coupler end of the high pressure hose to the pressure washer water outlet (Fig. 1). Rotate the coupler clockwise to fully tighten.
2. Connect the opposite end of the high pressure hose into the connector located on the back of the gun. Push up the lock catch to secure the hose (Fig. 2).



### ASSEMBLING THE SPRAY GUN

Insert the spray lance into the trigger gun (Fig. 3). Press in the lance against the spring tension and twist it counter-clockwise (viewing from the back) into the locked position.

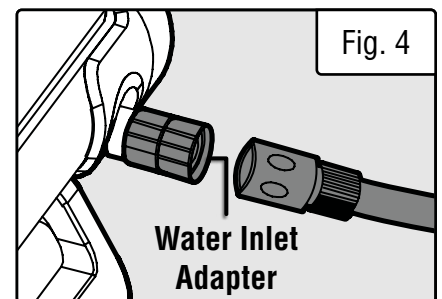


### CONNECTING THE GARDEN HOSE TO THE PRESSURE WASHER

1. Connect a garden hose (at least 5/8 inch in diameter) to a cold water supply. Make sure your water supply meets the requirements stated in "Water Supply Requirements" on page 6.
2. Run water through the garden hose for a few seconds to flush any debris from the hose. Turn off the water supply.
3. With the water source turned off, remove the white cap and thread the inlet adapter onto the water inlet. Connect the garden hose into the inlet adapter and tighten the connector to secure the hose connection (Fig. 4).

**NOTE:** The inlet filter is pre-installed inside the water inlet on the back of the machine. Inspect the inlet screen and remove debris if there is any.

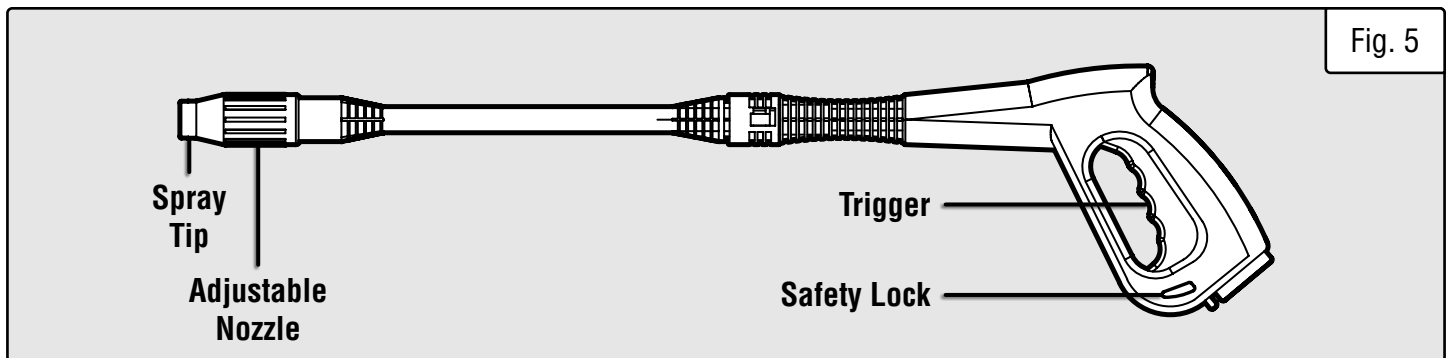
**NOTE:** There should be a minimum of 10 feet of unrestricted hose between the pressure washer and the water supply. Do not let the hose kink.



# ASSEMBLY & ADJUSTMENTS

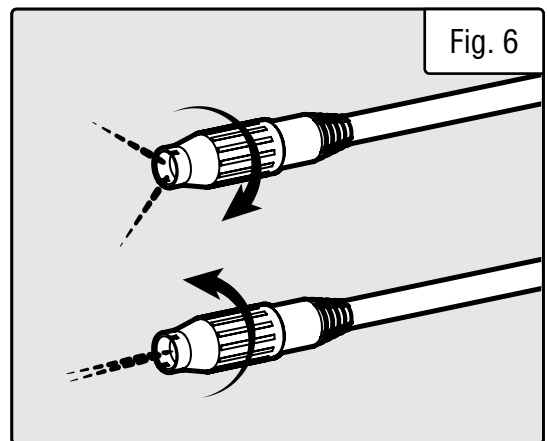
## USING THE SPRAY GUN

1. The spray gun is equipped with a safety lock on the bottom of the handle. To engage safety, push out the safety lock. To release safety, push in the safety lock. To prevent risk from accidental startups, always engage the safety lock when not using the pressure washer (Fig. 5).
2. The trigger starts and stops the water flow. Disengage the safety lock and pull back the trigger to begin operating the pressure washer. Release the trigger to stop the water flow (Fig. 5).



## USING THE ADJUSTABLE NOZZLE

The spray gun features an adjustable nozzle that lets you adjust the spray pattern from a full fan spray (widest spray width) to a direct stream spray (narrowest spray width) (Fig. 6).



**⚠ WARNING!** Make sure the spray tip is pointed away from any people or animals when adjusting the nozzle.

Always begin by spraying a testing area of the work surface using the fan spray (widest spray width) to avoid damaging the surface.

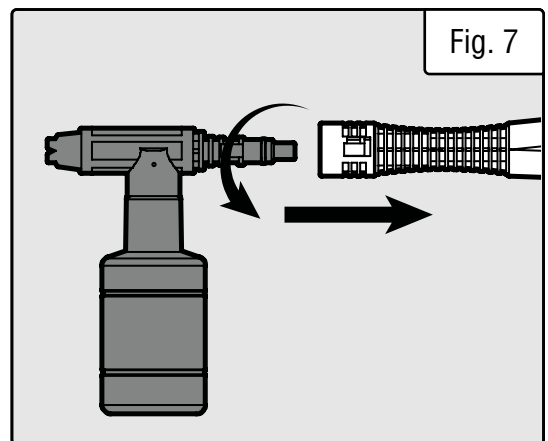
Rotate the adjustable nozzle counterclockwise to increase the spray width. Rotate the adjustable nozzle clockwise to decrease the spray width.

## USING PRESSURE WASHER DETERGENT

1. Fill the detergent bottle with your preferred liquid pressure washer detergent. The bottle capacity is 13 fl. oz.

**CAUTION:** Use only detergents designed for pressure washers. Follow the instructions included with your detergent about how it should be prepared and used.

2. Remove the spray lance. Insert the detergent bottle into the trigger gun. Press in against the spring tension and twist it counterclockwise into the locked position (Fig. 7).



3. Pull the trigger to apply detergent onto the work area. Do not allow detergent to dry on the surface.

## OPERATION

**⚠ WARNING!** To prevent serious injury, make sure all the warnings and instructions have been read and understood before operating this tool.

### PREPARING THE PRESSURE WASHER

1. Place the pressure washer on a secure, stable surface to prevent it from tipping during operation.
2. Check that all connections have been properly installed and secured according to the instructions on page 10.
  - The high pressure hose is properly fastened to the machine water outlet and the gun hose connector.
  - The spray lance is properly attached to the trigger gun.
  - The garden hose is properly fastened to the pressure washer's water inlet adapter.

**CAUTION:** This unit is intended to be used with cold water only. Do not use hot water in this pressure washer.

3. Turn on the water supply to its maximum flow.
4. It is very important to bleed all the air out of the pressure washer before using it. Release the safety lock and pull the trigger for a few seconds until the water flow is steady. This will allow air to escape and discharge any pre-existing pressure from the gun and the hose. Then turn off the water.

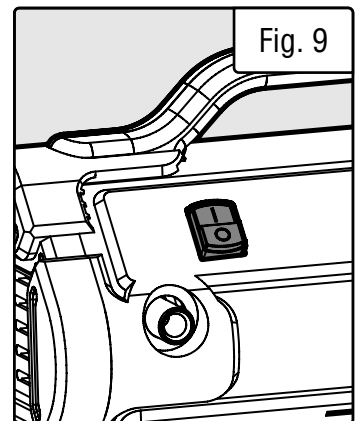
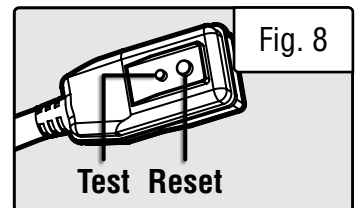
### OPERATING THE PRESSURE WASHER

1. Make sure the on/off switch is in the off position. Plug the Ground Fault Circuit Interrupter (GFCI) into a matching receptacle (see page 10 for important electrical information). We recommend that you test the GFCI as part of your startup procedure each time you use your pressure washer as instructed below.

Press the RESET button (top), and the power indication light should turn on. Press the TEST button (bottom), and the power indication light should turn off. Do not use if test fails. Press RESET button again after completing the test to enable operation (Fig. 8).

2. Point the gun at a safe direction, aimed away from any bystanders or animals. Set the ON/OFF switch to ON (Fig. 9).
3. Hold the gun firmly and pull the trigger to begin pressure washing. Beware of kick-back when pressing the trigger.

**⚠ WARNING!** Never direct the water steam at people, animals or electrical devices. The high-pressure spray can cause severe injury.



### AUTOMATIC PUMP SHUTOFF/ TTS (TOTAL STOP SYSTEM)

The pressure washer is equipped with an automatic pump shutoff function that senses the water flow in the pump. The pump will only run when the power switch is in the ON position and the trigger pulled. When the trigger is released and no water is flowing through the pump, the motor will automatically shut off to protect the pump from overheating, thus saving energy and prolonging pump life.

So don't worry if the pump shuts off when the trigger is released. Your pressure washer is still okay. Simply squeeze the trigger again to resume pressure washing.

## **OPERATION**

### **THERMAL PROTECTOR**

Your pressure washer is also equipped with a motor thermal protector. When the motor is experiencing overload and over heats, the thermal protector will trip to shut down and protect the motor. Wait a few minutes for the motor to cool down and the thermal protector will reset automatically.

### **PRESSURE WASHING TIPS**

1. Before pressure washing any surface, test spray an inconspicuous area. Adjust the spray pattern and spraying distance to achieve the optimal cleaning result and prevent damaging the surface.
2. Use caution when spraying clipped or peeling paint, as the high pressure may remove the loose paint from the surface.
3. Pre-rinse the surface with fresh water before applying detergent.
4. When using detergent, follow the instructions that come with your detergent. In general, allow the detergent to remain on the surface about 1-3 minutes. Do not allow detergent to dry on the surface.
5. Keep the spray nozzle approximately 6 inches from the cleaning surface. The spraying distance may vary according to the treated surface (be sure to increase the distance when rinsing sensitive or fragile surfaces). Rinse the surface in a long sweeping motion.
6. Clean from top to bottom. When moving on to a new section of the cleaning surface, overlap the previous section to eliminate stop marks and ensure a more even cleaning result.
7. When pressure washing surfaces that may come in contact with food, flush surfaces with plenty of drinking water after pressure washing. However, WEN does not recommend eating off of your driveway.

### **SHUTTING DOWN THE UNIT**

When the pressure washing task has been completed, follow the steps below to shut down the unit.

1. Turn off the ON/OFF switch and unplug the power plug from the outlet.
2. Turn off the water supply.
3. Pull the high pressure gun trigger to relieve all the built-up pressure in the machine.
4. Release the trigger and engage the gun safety lock.

**NOTE:** To maximize safety, always engage the safety lock when the gun is not in use.

5. Disconnect the garden hose from the water inlet on the back of the unit.
6. Disconnect the high pressure hose from the pressure washer outlet.
7. Follow the instructions on the next page for properly maintaining and storing your pressure washer.

## MAINTENANCE & STORAGE

**⚠ WARNING!** Risk of electric shock - Always switch off the pressure washer, disconnect the power plug and turn off the water before performing any adjustments or maintenance.

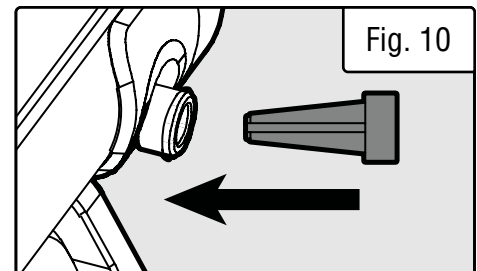
**NOTE:** Replacement parts can be ordered from [wenproducts.com](http://wenproducts.com) by searching the part number (refer to the exploded view and parts list on pages 16 & 17). Use only identical replacement parts designated from your pressure washer. Parts that wear down over the course of normal use (such as hoses, filters, nozzles, etc.) are not covered by the two-year warranty.

### HIGH PRESSURE HOSE

The high pressure hose (**PW19-016**) can be damaged easily and should be carefully stored. Do not kink the hose. Do not drive vehicles or place heavy objects over the hose. Do not expose the hose to sharp objects. Don't chew on it either. Regularly inspect the hose for cuts, bulges, or leaks which can develop from kinking or wear. If damage is found, replace the hose immediately to prevent serious injuries.

### WATER INLET FILTER

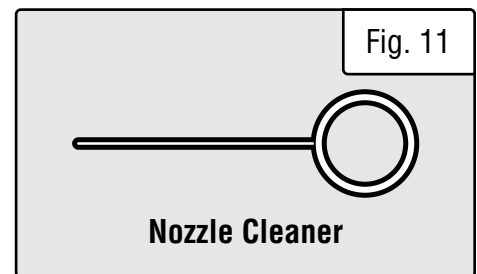
Check the water inlet filter (**PW19-025**) periodically for deposits. Clean this filter regularly for maximum performance. Remove the water inlet filter (Fig. 10) and rinse it with warm water to clean out debris and buildup before operating the pressure washer.



### SPRAY NOZZLE

Regularly clean the spray tip on the spray lance and detergent bottle to prevent the nozzle from clogging.

Make sure the power plug is disconnected, the water is turned off and all pressure is relieved from the unit. Turn the adjustable nozzle counterclockwise to move the metal plates apart. Use a nozzle cleaner (Fig. 11) or a needle to dislodge any foreign materials that are clogging or restricting the spray tip.



### STORING THE PRESSURE WASHER FOR EXTENDED PERIODS

1. Clean the spray nozzle and water inlet filter before storing the unit.
2. To protect and extend the life of your pressure washer, we recommended running the unit with a pump antifreeze or pump protector or a pump conditioner before storing the unit for long periods of time. Follow the directions on your preferred pump protector for proper use.
3. Store your pressure washer and accessories indoors where the temperature will stay above freezing (32°F/0°C). Do not store it near the furnace or other sources of heat as it may dry out the pump's seals.
4. Keep the pressure washer upright on a level surface. Cover the machine to protect it from dust. Do not allow high pressure hose to become kinked during storage.

### PRODUCT DISPOSAL

Used pressure washers should not be disposed of with household waste. This product contains electric components that should be recycled. Please take this product to your local recycling facility for responsible disposal and to minimize its environmental impact.

## TROUBLESHOOTING GUIDE

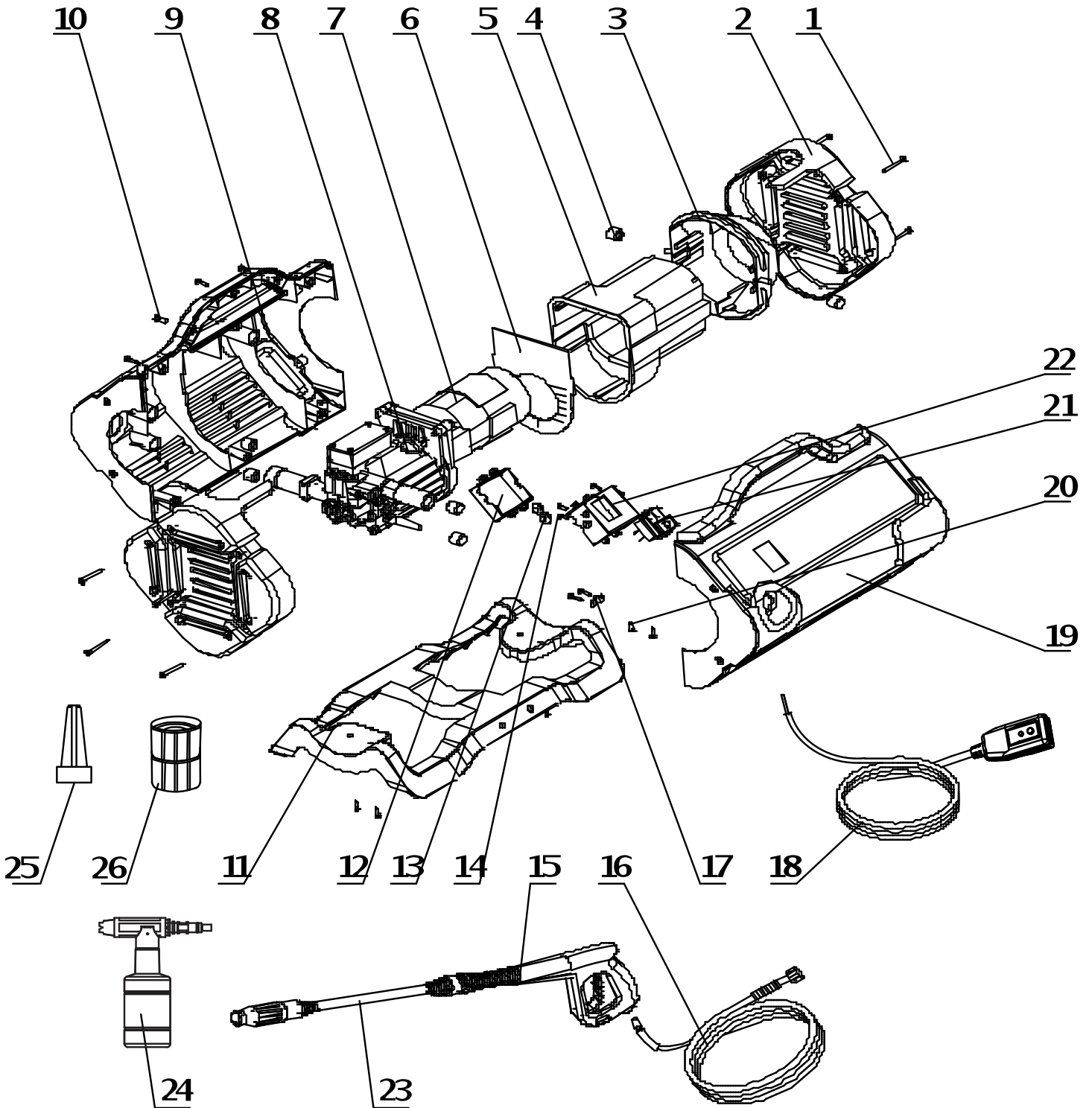
**⚠ WARNING!** Stop using the tool immediately if any of the following problems occur. Repairs and replacements should only be performed by an authorized technician. For any questions, please contact our customer service at **1-(800) 232-1195**, M-F 8-5 CST or email us at **techsupport@wenproducts.com**.

PROBLEM	CAUSE	SOLUTION
<b>Machine doesn't turn on.</b>	1. GFCI plug is tripped	1. Press "Reset" button on GFCI plug (p. 12).
	2. Thermal protector is tripped.	2. Switch off the machine. Wait a few minutes for motor to cool down and protector will reset automatically.
	3. Machine is not plugged in or the outlet does not have adequate power.	3. Plug machine into a working outlet suitable for the pressure washer.
	4. Damaged power cord or extension cord.	4. Check power cord, extension cord, and power plug. Do not use if cords are damaged.
	5. Defective power switch.	5. Stop using the tool and contact customer service.
	6. Circuit fuse is blown.	6. Have fuse replaced by a certified electrician.
<b>Machine stops during operation.</b>	1. Thermal protector is tripped.	1. Switch off the machine. Wait a few minutes for motor to cool down and the thermal protector will reset automatically.
	2. Nozzle partially blocked.	2. Clean the nozzle (p. 14).
<b>Machine pulsating</b>	1. Air trapped in the inlet hose.	1. Allow the machine to run while holding the trigger until adequate pressure returns.
	2. Insufficient water supply.	2. Make sure water supply is opened as far as possible. Check for leaks, kinks or blockage.
	3. Blocked nozzle.	3. Clean the nozzle (p. 14).
	4. Blocked water filter.	4. Clean water inlet adapter filter (p. 14).
	5. Kinked hose.	5. Unkink the hose.
<b>Fluctuating Pressure</b>	1. Pump bringing in air.	1. Tighten hose connections and make sure they are air tight. Turn off machine and purge pump by squeezing trigger gun until a steady flow of water emerges through the nozzle.
	2. Dirty or broken valves.	2. Clean/replace the valves.
	3. Pump seals are worn out.	3. Order replacement seals <b>(1-800-232-1195)</b> .
<b>Water stream starts and stops by itself.</b>	1. Leaking pump/spray gun.	1 & 2. Call <b>1-800-232-1195</b> for assistance.
	2. Broken trigger on spray gun.	
	3. Ghost in machine.	3. Persuade the ghost to leave.
<b>Water pressure isn't high enough</b>	1. Spray width too wide.	1. Adjust spray width (p. 11).
	2. Garden hose diameter too small.	2. Replace with a 5/8 in. or larger garden hose.
	3. Insufficient water supply.	3. Open the water on full and check the garden hose for leaks, kinks or blockage.
	4. Frozen pump/hose.	4. Thaw out your frozen stuff.
	5. The water inlet filter is clogged.	5. Remove filter and rinse out in warm water.
	6. The nozzle is blocked.	6. Unblock and clean the nozzle (p.14).
<b>No detergent is coming out.</b>	Detergent Bottle nozzle is clogged.	Clean the nozzle.

**NOTE:** This pressure washer is supplied with a closed lubrication system, so no addition of oil is needed.



# EXPLODED VIEW & PARTS LIST



**NOTE:** Not all parts may be available for purchase. Parts and accessories that wear down over the course of normal use are not covered under the warranty.

## **EXPLODED VIEW & PARTS LIST**

<b>No.</b>	<b>Part No.</b>	<b>Description</b>	<b>Qty.</b>
1	PW19-001	Screw ST3.5x32	8
2	PW19-002	Housing (Left & Right)	2
3	PW19-003	Motor Cover A (Right)	1
4	PW19-004	Support Ring	6
5	PW19-005	Motor Cover B (Right)	1
6	PW19-006	Motor Case	1
7	PW19-007	Motor	1
8	PW19-008	Pump	1
9	PW19-009	Housing (Back)	1
10	PW19-010	Screw ST3.5x16	11
11	PW19-011	Support Base	1
12	PW19-012	On/Off Switch Case (Back)	1
13	PW19-013	Power Wire Sleeve	2
14	PW19-014	Screw ST2.9x13	8
15	PW19-015	High Pressure Gun	1
16	PW19-016	High Pressure Hose	1
17	PW19-017	Electric Wire Clamp	1
18	PW19-018	Power Cord with GFCI Plug	1
19	PW19-019	Housing (Front)	1
20	PW19-020	Screw ST4x20	4
21	PW19-021	On/Off Switch	1
22	PW19-022	On/Off Switch Case (Front)	1
23	PW19-023	Spray Lance	1
24	PW19-024	Detergent Bottle	1
25	PW19-025	Water Inlet Filter	1
26	PW19-026	Water Inlet Adapter	1

**NOTE:** Not all parts may be available for purchase. Parts and accessories that wear down over the course of normal use are not covered under the warranty.

# **WARRANTY STATEMENT**

WEN Products is committed to building tools that are dependable for years. Our warranties are consistent with this commitment and our dedication to quality.

## **LIMITED WARRANTY OF WEN PRODUCTS FOR HOME USE**

GREAT LAKES TECHNOLOGIES, LLC (“Seller”) warrants to the original purchaser only, that all WEN consumer power tools will be free from defects in material or workmanship during personal use for a period of two (2) years from date of purchase or 500 hours of use; whichever comes first. Ninety days for all WEN products if the tool is used for professional or commercial use. Purchaser has 30 days from the date of purchase to report missing or damaged parts.

SELLER’S SOLE OBLIGATION AND YOUR EXCLUSIVE REMEDY under this Limited Warranty and, to the extent permitted by law, any warranty or condition implied by law, shall be the replacement of parts, without charge, which are defective in material or workmanship and which have not been subjected to misuse, alteration, careless handling, misrepair, abuse, neglect, normal wear and tear, improper maintenance, or other conditions adversely affecting the Product or the component of the Product, whether by accident or intentionally, by persons other than Seller. To make a claim under this Limited Warranty, you must make sure to keep a copy of your proof of purchase that clearly defines the Date of Purchase (month and year) and the Place of Purchase. Place of Purchase must be a direct vendor of Great Lakes Technologies, LLC. Purchasing through third party vendors, including but not limited to garage sales, pawn shops, resale shops, or any other secondhand merchant, voids the warranty included with this product. Contact [techsupport@wenproducts.com](mailto:techsupport@wenproducts.com) or 1-800-232-1195 with the following information to make arrangements: your shipping address, phone number, serial number, required part numbers, and proof of purchase. Damaged or defective parts and products may need to be sent to WEN before the replacements can be shipped out.

Upon the confirmation of a WEN representative, your product may qualify for repairs and service work. When returning a product for warranty service, the shipping charges must be prepaid by the purchaser. The product must be shipped in its original container (or an equivalent), properly packed to withstand the hazards of shipment. The product must be fully insured with a copy of the proof of purchase enclosed. There must also be a description of the problem in order to help our repairs department diagnose and fix the issue. Repairs will be made and the product will be returned and shipped back to the purchaser at no charge for addresses within the contiguous United States.

THIS LIMITED WARRANTY DOES NOT APPLY TO ITEMS THAT WEAR OUT FROM REGULAR USAGE OVER TIME, INCLUDING BELTS, BRUSHES, BLADES, BATTERIES, ETC. ANY IMPLIED WARRANTIES SHALL BE LIMITED IN DURATION TO TWO (2) YEARS FROM DATE OF PURCHASE. SOME STATES IN THE U.S. AND SOME CANADIAN PROVINCES DO NOT ALLOW LIMITATIONS ON HOW LONG AN IMPLIED WARRANTY LASTS, SO THE ABOVE LIMITATION MAY NOT APPLY TO YOU.

IN NO EVENT SHALL SELLER BE LIABLE FOR ANY INCIDENTAL OR CONSEQUENTIAL DAMAGES (INCLUDING BUT NOT LIMITED TO LIABILITY FOR LOSS OF PROFITS) ARISING FROM THE SALE OR USE OF THIS PRODUCT. SOME STATES IN THE U.S. AND SOME CANADIAN PROVINCES DO NOT ALLOW THE EXCLUSION OR LIMITATION OF INCIDENTAL OR CONSEQUENTIAL DAMAGES, SO THE ABOVE LIMITATION OR EXCLUSION MAY NOT APPLY TO YOU.

THIS LIMITED WARRANTY GIVES YOU SPECIFIC LEGAL RIGHTS, AND YOU MAY ALSO HAVE OTHER RIGHTS WHICH VARY FROM STATE TO STATE IN THE U.S., PROVINCE TO PROVINCE IN CANADA AND FROM COUNTRY TO COUNTRY.

THIS LIMITED WARRANTY APPLIES ONLY TO ITEMS SOLD WITHIN THE UNITED STATES OF AMERICA, CANADA AND THE COMMONWEALTH OF PUERTO RICO. FOR WARRANTY COVERAGE WITHIN OTHER COUNTRIES, CONTACT THE WEN CUSTOMER SUPPORT LINE. FOR WARRANTY PARTS OR PRODUCTS REPAIRED UNDER WARRANTY SHIPPING TO ADDRESSES OUTSIDE OF THE CONTIGUOUS UNITED STATES, ADDITIONAL SHIPPING CHARGES MAY APPLY.



**THANKS FOR  
REMEMBERING**

