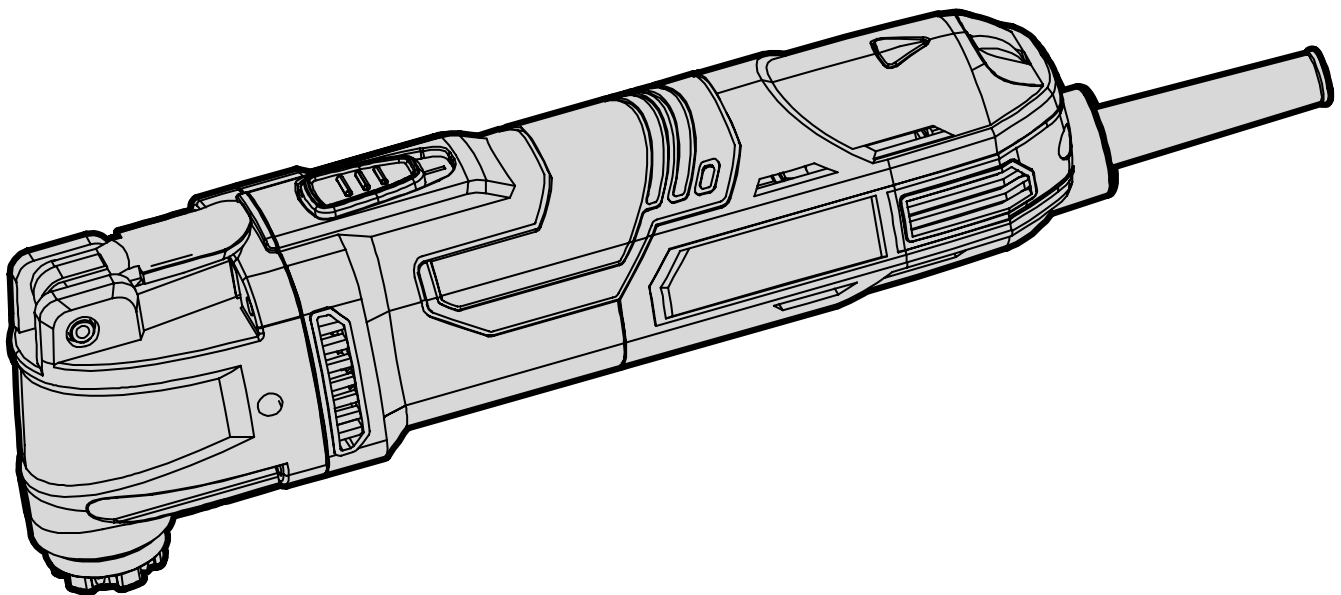




MODEL MT3537

QUICK RELEASE OSCILLATING MULTI-TOOL

Instruction Manual



NEED HELP? CONTACT US!

Have product questions? Need technical support? Please feel free to contact us:



1-800-232-1195 (M-F 8AM-5PM CST)



TECHSUPPORT@WENPRODUCTS.COM

IMPORTANT: Your new tool has been engineered and manufactured to WEN's highest standards for dependability, ease of operation, and operator safety. When properly cared for, this product will supply you years of rugged, trouble-free performance. Pay close attention to the rules for safe operation, warnings, and cautions. If you use your tool properly and for its intended purpose, you will enjoy years of safe, reliable service.

For replacement parts and the most up-to-date instruction manuals, visit ***WENPRODUCTS.COM***


CONTENTS

WELCOME	3
Introduction	3
Specifications.....	3
SAFETY	4
General Safety Rules.....	4
Oscillating Multi-Tool Safety Warnings	6
Electrical Information.....	8
BEFORE OPERATING	9
Unpacking & Packing List.....	9
Know Your Oscillating Multi-Tool.....	9
Assembly & Adjustments.....	10
OPERATION & MAINTENANCE	11
Operation	11
Troubleshooting Guide.....	12
Exploded View & Parts List.....	13
Warranty Statement.....	15

To purchase accessories and replacement parts for your tool, visit **WENPRODUCTS.COM**

INTRODUCTION

Thanks for purchasing the WEN Oscillating Tool. We know you are excited to put your tool to work, but first, please take a moment to read through the manual. Safe operation of this tool requires that you read and understand this operator's manual and all the labels affixed to the tool. This manual provides information regarding potential safety concerns, as well as helpful assembly and operating instructions for your tool.

 Indicates danger, warning, or caution. The safety symbols and the explanations with them deserve your careful attention and understanding. Always follow the safety precautions to reduce the risk of fire, electric shock or personal injury. However, please note that these instructions and warnings are not substitutes for proper accident prevention measures.

NOTE: The following safety information is not meant to cover all possible conditions and situations that may occur. WEN reserves the right to change this product and specifications at any time without prior notice.

At WEN, we are continuously improving our products. If you find that your tool does not exactly match this manual, please visit wenproducts.com for the most up-to-date manual or contact our customer service at **1-800-232-1195**.

Keep this manual available to all users during the entire life of the tool and review it frequently to maximize safety for both yourself and others.

SPECIFICATIONS

Model Number	MT3537
Motor	120V, 60 Hz, 3.5A
Speed	10,000 - 20,000 RPM
Oscillating Angle	3.7 Degrees
Product Weight	2.43 Pounds
Product Dimensions	10.63 in. x 2.36 in. x 3.15 in.
Accessories	Blade (1)
	Scraper (1)
	Sanding Pad (1)
	Sanding Paper (2)
	Carrying Case (1)
	Replacement Carbon Brushes (1)

GENERAL SAFETY RULES

⚠ WARNING! Read all safety warnings and all instructions. Failure to follow the warnings and instructions may result in electric shock, fire and/or serious injury.

Safety is a combination of common sense, staying alert and knowing how your item works. The term “power tool” in the warnings refers to your mains-operated (corded) power tool or battery-operated (cordless) power tool.

SAVE THESE SAFETY INSTRUCTIONS.

WORK AREA SAFETY

- 1. Keep work area clean and well lit.** Cluttered or dark areas invite accidents.
- 2. Do not operate power tools in explosive atmospheres, such as in the presence of flammable liquids, gases or dust.** Power tools create sparks which may ignite the dust or fumes.
- 3. Keep children and bystanders away while operating a power tool.** Distractions can cause you to lose control.

ELECTRICAL SAFETY

- 1. Power tool plugs must match the outlet. Never modify the plug in any way. Do not use any adapter plugs with earthed (grounded) power tools.** Unmodified plugs and matching outlets will reduce risk of electric shock.
- 2. Avoid body contact with earthed or grounded surfaces such as pipes, radiators, ranges and refrigerators.** There is an increased risk of electric shock if your body is earthed or grounded.
- 3. Do not expose power tools to rain or wet conditions.** Water entering a power tool will increase the risk of electric shock.
- 4. Do not abuse the cord. Never use the cord for carrying, pulling or unplugging the power tool. Keep cord away from heat, oil, sharp edges or moving parts.** Damaged or entangled cords increase the risk of electric shock.
- 5. When operating a power tool outdoors, use an extension cord suitable for outdoor use.** Use of a cord suitable for outdoor use reduces the risk of electric shock.

- 6. If operating a power tool in a damp location is unavoidable, use a ground fault circuit interrupter (GFCI) protected supply.** Use of a GFCI reduces the risk of electric shock.

PERSONAL SAFETY

- 1. Stay alert, watch what you are doing and use common sense when operating a power tool. Do not use a power tool while you are tired or under the influence of drugs, alcohol or medication.** A moment of inattention while operating power tools may result in serious personal injury.
- 2. Use personal protective equipment. Always wear eye protection.** Protective equipment such as a respiratory mask, non-skid safety shoes and hearing protection used for appropriate conditions will reduce the risk of personal injury.
- 3. Prevent unintentional starting. Ensure the switch is in the off-position before connecting to power source and/or battery pack, picking up or carrying the tool.** Carrying power tools with your finger on the switch or energizing power tools that have the switch on invites accidents.
- 4. Remove any adjusting key or wrench before turning the power tool on.** A wrench or a key left attached to a rotating part of the power tool may result in personal injury.
- 5. Do not overreach. Keep proper footing and balance at all times.** This enables better control of the power tool in unexpected situations.
- 6. Dress properly. Do not wear loose clothing or jewelry. Keep your hair and clothing away from moving parts.** Loose clothes, jewelry or long hair can be caught in moving parts.

GENERAL SAFETY RULES

 **WARNING!** Read all safety warnings and all instructions. Failure to follow the warnings and instructions may result in electric shock, fire and/or serious injury.

Safety is a combination of common sense, staying alert and knowing how your item works. The term “power tool” in the warnings refers to your mains-operated (corded) power tool or battery-operated (cordless) power tool.

SAVE THESE SAFETY INSTRUCTIONS.

7. If devices are provided for the connection of dust extraction and collection facilities, ensure these are connected and properly used. Use of dust collection can reduce dust-related hazards.

POWER TOOL USE AND CARE

1. Do not force the power tool. Use the correct power tool for your application. The correct power tool will do the job better and safer at the rate for which it was designed.

2. Do not use the power tool if the switch does not turn it on and off. Any power tool that cannot be controlled with the switch is dangerous and must be repaired.

3. Disconnect the plug from the power source and/or the battery pack from the power tool before making any adjustments, changing accessories, or storing power tools. Such preventive safety measures reduce the risk of starting the power tool accidentally.

4. Store idle power tools out of the reach of children and do not allow persons unfamiliar with the power tool or these instructions to operate the power tool. Power tools are dangerous in the hands of untrained users.

5. Maintain power tools. Check for misalignment or binding of moving parts, breakage of parts and any other condition that may affect the power tool's operation. If damaged, have the power tool repaired before use. Many accidents are caused by poorly maintained power tools.

6. Keep cutting tools sharp and clean. Properly maintained cutting tools with sharp cutting edges are less likely to bind and are easier to control.

7. Use the power tool, accessories and tool bits, etc. in accordance with these instructions, taking into account the working conditions and the work to be performed. Use of the power tool for operations different from those intended could result in a hazardous situation.

8. Use clamps to secure your workpiece to a stable surface. Holding a workpiece by hand or using your body to support it may lead to loss of control.

9. KEEP GUARDS IN PLACE and in working order.

SERVICE

1. Have your power tool serviced by a qualified repair person using only identical replacement parts. This will ensure that the safety of the power tool is maintained.

CALIFORNIA PROPOSITION 65 WARNING

Some dust created by power sanding, sawing, grinding, drilling, and other construction activities may contain chemicals, including lead, known to the State of California to cause cancer, birth defects, or other reproductive harm. Wash hands after handling. Some examples of these chemicals are:

- Lead from lead-based paints.
- Crystalline silica from bricks, cement, and other masonry products.
- Arsenic and chromium from chemically treated lumber.

Your risk from these exposures varies depending on how often you do this type of work. To reduce your exposure to these chemicals, work in a well-ventilated area with approved safety equipment such as dust masks specially designed to filter out microscopic particles.


OSCILLATING MULTI-TOOL SAFETY WARNINGS

⚠ WARNING! Do not let comfort or familiarity with the product replace strict adherence to product safety rules. Failure to follow the safety instructions may result in serious personal injury.

OSCILLATING MULTI-TOOL SAFETY

1. Hold your power tool by the insulated gripping surfaces, especially when performing an operation where the accessory could contact hidden wiring.
2. Protect your lungs. Wear a face or dust mask during operation. Following this rule will reduce the risk of serious respiratory injury.
3. Protect your hearing. Wear hearing protection during extended periods of operation. Following this rule will reduce the risk of serious personal injury.
4. Inspect power cords periodically and repair them as needed at your nearest authorized service center. Constantly stay aware of cord location. Following this rule will reduce the risk of electric shock or fire.
5. Check damaged parts. Before further use of the tool, determine that it will operate properly and perform its intended function. Check for alignment, binding, or breakage of moving parts or any other conditions that may affect its operation. A guard or other part that is damaged should be properly repaired or replaced by an authorized service center. Following this rule will reduce the risk of shock, fire, or serious injury.
6. Be aware of any nails that may be embedded in the workpiece. Hitting a nail may change the direction of the oscillating tool and potentially cause injury. Maintain safe control of the oscillating tool at all times.
7. If the power cord is damaged, it must be replaced only by the manufacturer or by an authorized service center.
8. Do not use the sander to remove lead-based paints.
9. Maintain labels and nameplates on the power tool. These carry important safety information.
10. Avoid accidental injury. Keep hands and fingers safely away from the oscillating angled scraper, blades, sanding pad and sandpaper when operating the tool.
11. Avoid unintentional starting. Prepare to begin work before turning on the power tool.
12. Do not lay the power tool down until it has come to a complete stop. Moving parts can grab the surface and pull the tool out of your control.
13. When using a handheld power tool, maintain a firm grip on the tool with both hands to resist starting torque.
14. Do not leave the power tool unattended when it is plugged into an electrical outlet. Turn off the tool, and unplug it from its electrical outlet before leaving.
15. This product is not a toy. Keep it out of reach of children.
16. People with pacemakers should consult their physician(s) before use. Electromagnetic fields in close proximity to heart pacemaker could cause pacemaker interference or pacemaker failure. In addition, people with pacemakers should:
 - a. Avoid operating alone.
 - b. Do not use with power switch locked on.
 - c. Properly maintain and inspect to avoid electrical shock.
 - d. Any power cord must be properly grounded. Ground Fault Circuit Interrupter (GFCI) should also be implemented to prevent sustained electrical shock.
17. Some dust created by power sanding, sawing, grinding, drilling, and other construction activities, contains chemicals known to cause cancer, birth defects or other reproductive harm. Some examples of these chemicals are:
 - a. Lead from lead-based paints.
 - b. Crystalline silica from bricks and cement or other masonry products.
 - c. Arsenic and chromium from chemically treated lumber.Your risk from these exposures varies, depending on how often you do this type of work. To reduce your exposure to these chemicals: work in a well ventilated area, and work with approved safety equipment, such as those dust masks that are specially designed to filter out microscopic particles.

OSCILLATING MULTI-TOOL SAFETY WARNINGS

 **WARNING!** Do not let comfort or familiarity with the product replace strict adherence to product safety rules. Failure to follow the safety instructions may result in serious personal injury.

18. Handling the power cord on this product will expose you to lead, a chemical known to cause cancer, and birth defects or other reproductive harm. Wash hands after handling.

19. The warnings, precautions, and instructions discussed in this instruction manual cannot cover all possible conditions and situations that may occur. It must be understood by the operator that common sense and caution are factors which cannot be built into this product, but must be supplied by the operator.

WARNING: This product and the dust created by power sanding, sawing, grinding, drilling, and other construction activities may contain chemicals, including lead, known to the State of California to cause cancer, birth defects, or other reproductive harm. Wash hands after handling.

Some examples of these chemicals are:

- lead from lead-based paints.
- crystalline silica from bricks and cement and other masonry products .
- arsenic and chromium from chemically treated lumber.

Your risk from exposure to these chemicals varies, depending on how often you do this type of work. To reduce your exposure, work in a well-ventilated area and with approved safety equipment, such as dust masks that are specially designed to filter out microscopic particles.

20. Save these instructions. Refer to them frequently and use them to instruct others who may use this product. If you loan someone this product, loan them these instructions also.

VIBRATION SAFETY

This tool vibrates during use. Repeated or long-term exposure to vibration may cause temporary or permanent physical injury, particularly to the hands, arms and shoulders.

To reduce the risk of any vibration-related injury:

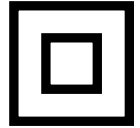
1. First be examined by a doctor and then have regular medical check-ups to ensure medical problems are not being caused or worsened from use. Pregnant women or people who have impaired blood circulation to the hand, past hand injuries, nervous system disorders, diabetes, or Raynaud's Disease should not use this tool. If you feel any symptoms related to vibration (such as tingling, numbness, and white or blue fingers), seek medical advice as soon as possible.
2. Do not smoke during use. Nicotine reduces the blood supply to the hands and fingers, increasing the risk of vibration-related injury.
3. Wear suitable gloves to reduce the vibration effects on the user.
4. Use tools with the lowest vibration when there is a choice.
5. Take vibration-free breaks during each day of work.
6. Grip tool as lightly as possible (while still keeping safe control of it). Let the tool do the work.
7. To reduce vibration, maintain the tool as explained in this manual. If any abnormal vibration occurs, stop use immediately.

These safety instructions can't possibly warn of every scenario that may arise with this tool, so always make sure to stay alert and use common sense during operation.

ELECTRICAL INFORMATION

DOUBLE-INSULATED TOOL

The tool's electrical system is double-insulated where two systems of insulation are provided. This eliminates the need for the usual three-wire grounded power cord. Double-insulated tools do not need to be grounded, nor should a means for grounding be added to the product. All exposed metal parts are isolated from the internal metal components with protecting insulation.



IMPORTANT: Servicing a double-insulated product requires extreme care and knowledge of the system, and should be done only by qualified service personnel using identical replacement parts. Always use original factory replacement parts when servicing.

1. Polarized Plugs. To reduce the risk of electric shock, this equipment has a polarized plug (one blade is wider than the other). This plug will fit in a polarized outlet only one way. If the plug does not fit fully in the outlet, reverse the plug. If it still does not fit, contact a qualified electrician to install a proper outlet. Do not modify the machine plug or the extension cord in any way.

2. Ground fault circuit interrupter protection (GFCI) should be provided on the circuit or outlet used for this power tool to reduce the risk of electric shock.

3. Service and repair. To avoid danger, electrical appliances must only be repaired by a qualified service technician using original replacement parts.

GUIDELINES AND RECOMMENDATIONS FOR EXTENSION CORDS

When using an extension cord, be sure to use one heavy enough to carry the current your product will draw. An undersized cord will cause a drop in line voltage, resulting in loss of power and overheating. The table below shows the correct size to be used according to cord length and ampere rating. When in doubt, use a heavier cord. The smaller the gauge number, the heavier the cord.

AMPERAGE	REQUIRED GAUGE FOR EXTENSION CORDS			
	25 ft.	50 ft.	100 ft.	150 ft.
3.5A	18 gauge	16 gauge	16 gauge	14 gauge

1. Examine extension cord before use. Make sure your extension cord is properly wired and in good condition. Always replace a damaged extension cord or have it repaired by a qualified person before using it.

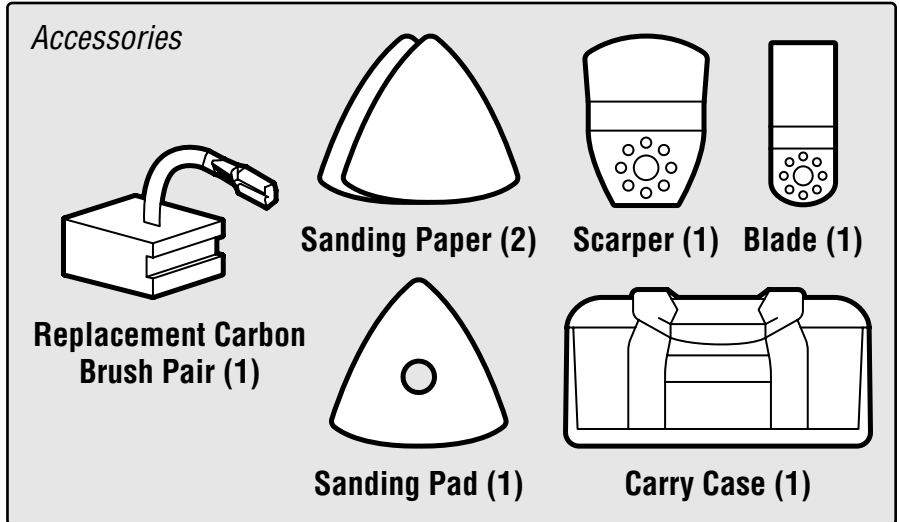
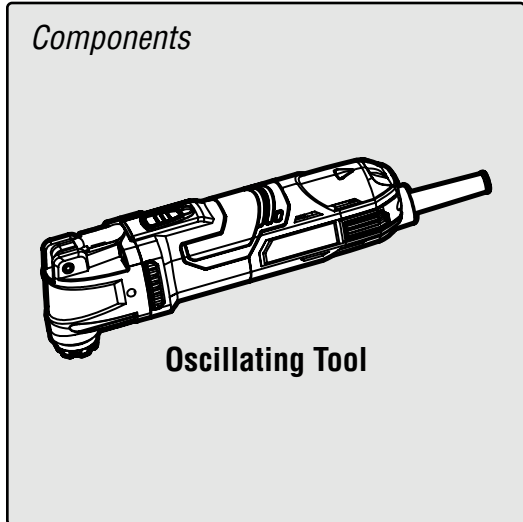
2. Do not abuse extension cord. Do not pull on cord to disconnect from receptacle; always disconnect by pulling on plug. Disconnect the extension cord from the receptacle before disconnecting the product from the extension cord. Protect your extension cords from sharp objects, excessive heat and damp/wet areas.

3. Use a separate electrical circuit for your tool. This circuit must not be less than a 12-gauge wire and should be protected with a 15A time-delayed fuse. Before connecting the motor to the power line, make sure the switch is in the OFF position and the electric current is rated the same as the current stamped on the motor nameplate. Running at a lower voltage will damage the motor.

UNPACKING & PACKING LIST

UNPACKING

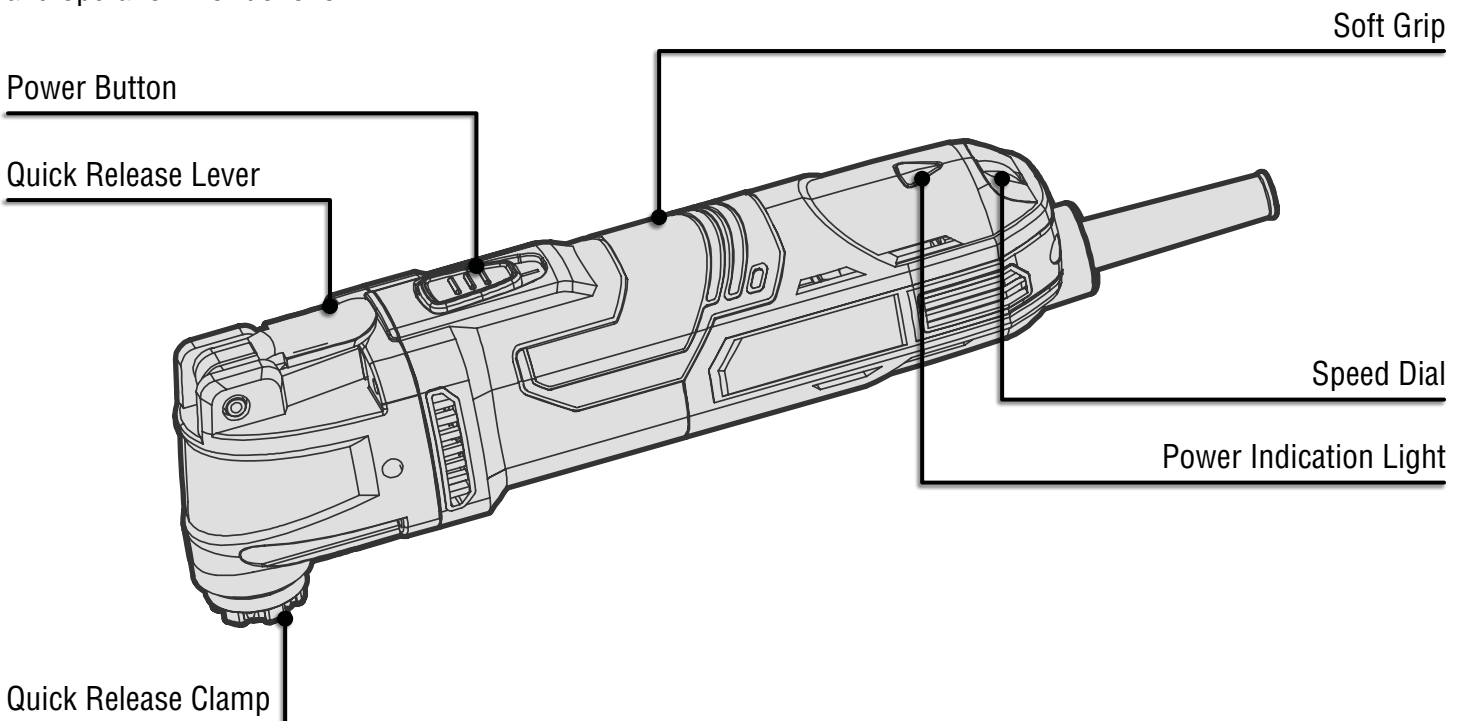
Carefully remove the oscillating tool from the packaging and place it on a sturdy, flat surface. Make sure to take out all contents and accessories. Do not discard the packaging until everything is removed. Check the packing list below to make sure you have all of the parts and accessories. If any part is missing or broken, please contact customer service at **1-800-232-1195** (M-F 8-5 CST), or email techsupport@wenproducts.com.



KNOW YOUR OSCILLATING MULTI-TOOL

TOOL PURPOSE

Sand, scrape, or cut all with your WEN Oscillating Multi-Tool. Refer to the following diagrams to become familiarized with all the parts and controls of your multi-tool. The components will be referred to later in the manual for assembly and operation instructions.



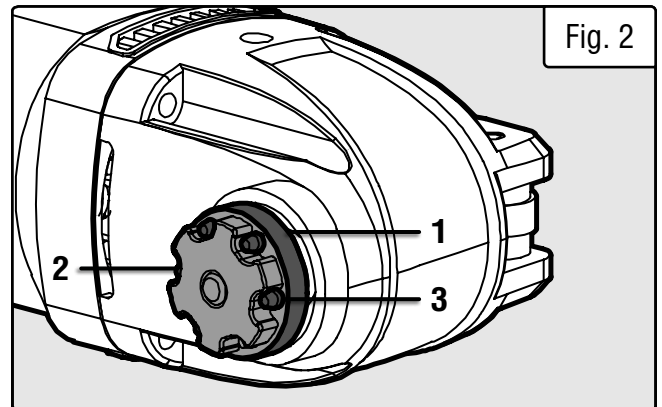
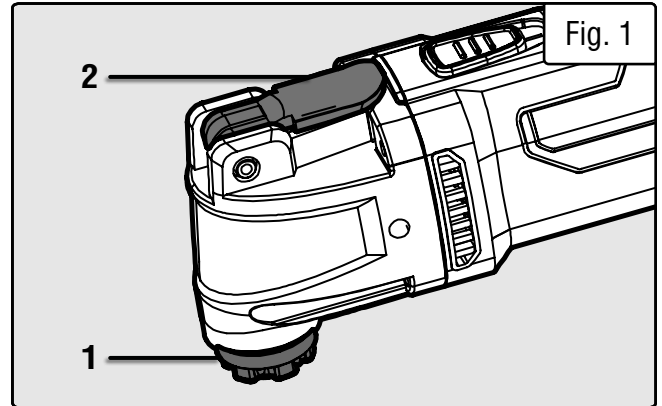
ASSEMBLY & ADJUSTMENTS

⚠ WARNING! To prevent accidental starting, make sure the machine is switched OFF and the power plug is disconnected before assembly, setting up, or making adjustments.

ATTACHING ACCESSORIES

1. Loosen the quick-release clamping spindle (Fig. 1 - 1) by lifting up on the quick-release lever (Fig. 1 - 2) to unlock it.
2. Hold the opening of your desired accessory (sanding pad, scrapper, or cutter) toward the quick-release clamping spindle, between the cover clamp (Fig. 2 - 1) and the clamping plate (Fig. 2 - 2). Push the accessory into place on the locating pins (Fig. 2 - 3).
3. Lock the quick-release lever to secure the accessory in place. Make sure that the accessory is secure before beginning operation.

NOTE: Only compatible with universal-fit oscillating blades.



OPERATION

POWERING THE OSCILLATING MULTI-TOOL

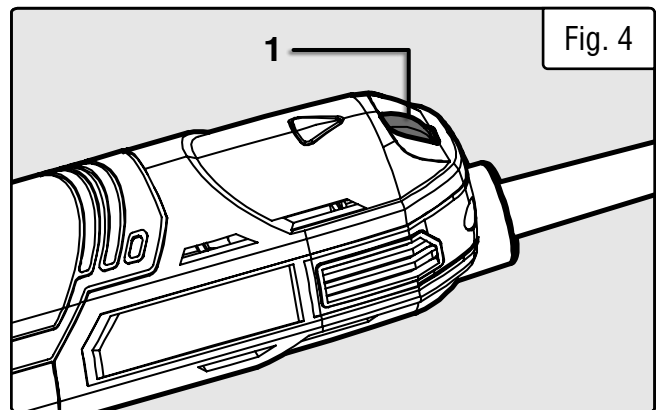
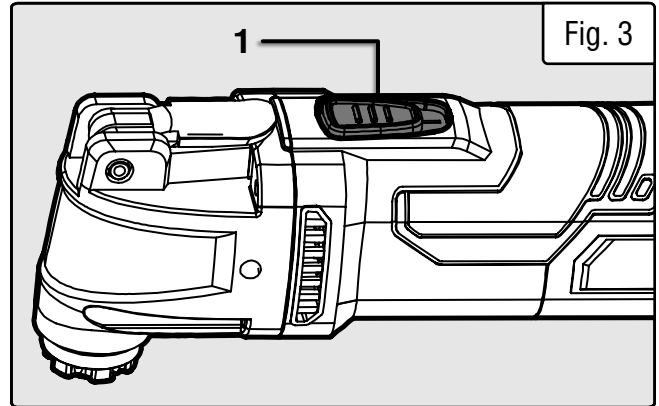
1. Once you've completed the assembly and any adjustments to the oscillating multi-tool, plug the tool in.

2. Switch the power tool ON: Slide the power switch button (Fig. 3 - 1) forward to the ON (I) position.

3. Switch the power tool OFF: Slide the power switch button backward to the (0) position.

ADJUSTING THE SPEED

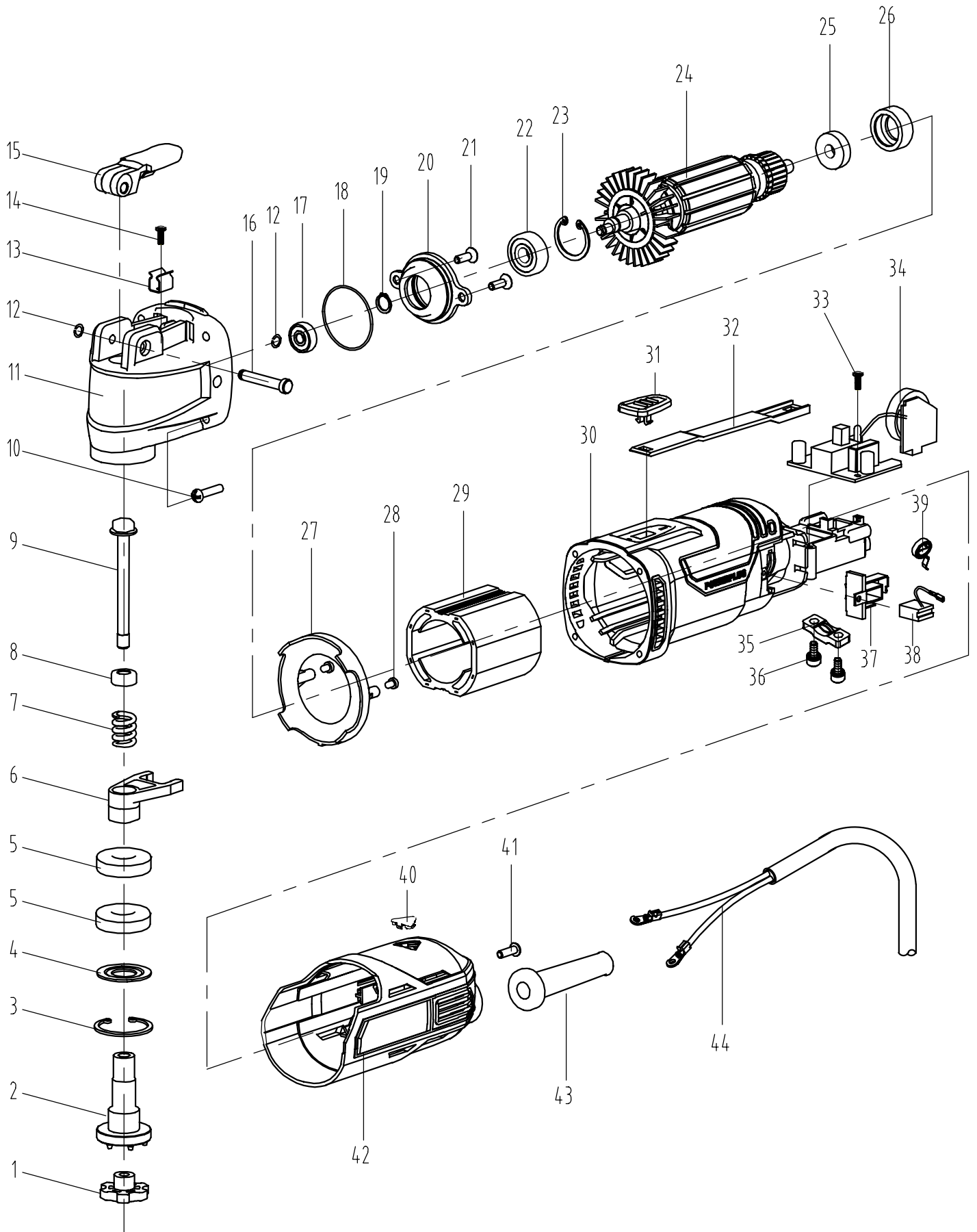
Your oscillating multi-tool has 6 speed settings. The "1" position indicates the lowest and the "6" position indicates the highest speed. Adjust the speed of your oscillating multi-tool by turning the speed control dial (Fig. 4 - 1).



TROUBLESHOOTING GUIDE

Problem	Cause	Solution
Multi-tool will not start.	1. Power cord not connected.	1. Check that the power cord is plugged in.
	2. No power at the outlet.	2. Check power at the outlet. If the outlet has no power, turn OFF the tool and check the circuit breaker.
	3. Internal damage or wear (carbon brush or switch).	3. Check the carbon brushes for wear and replace as necessary. If a defective switch is suspected, contact WEN Customer Service.
An accessory is lose on the tool.	1. Holes on the attachment are not in line with the pins on the spindle.	1. Remove the attachment and remount, making sure that the holes of the accessory fit securely over the pins on the spindle.
Tool operates slowly.	1. The extension cord is too long or the wire size is too small.	1. Use the proper extension cord for your tool. See the chart on page 8.
Performance decreases over time.	1. Accessory is dull or damaged.	1. Keep cutting accessories sharp and replace accessories as needed.
	2. Carbon brushes worn or damaged.	2. Replace the carbon brushes.
Excessive noise or rattling.	1. Internal damage or wear.	1. Have a technician service the tool.
The tool overheats	1. Forcing the tool.	1. Allow the tool to work at its own rate.
	2. Accessories dull or damaged.	2. Keep the cutting accessories sharp and replace as needed.
	3. Blocked motor housing vents.	3. Blow dust out of the motor using compressed air and keep vents clear of debris.

EXPLODED VIEW & PARTS LIST



EXPLODED VIEW & PARTS LIST

No.	Part No.	Description	Qty.
1	MT3537-001	Clamping Plate	1
2	MT3537-002	Main Shaft	1
3	MT3537-003	Circlip	1
4	MT3537-004	Dust Proof Ring	1
5	MT3537-005	Bearing	2
6	MT3537-006	Oscillating Bar	1
7	MT3537-007	Spring	1
8	MT3537-008	Spring Seat	1
9	MT3537-009	Push Rod	1
10	MT3537-010	Screw	4
11	MT3537-011	Head Housing	1
12	MT3537-012	Circlip	2
13	MT3537-013	Fix Spring	1
14	MT3537-014	Screw	1
15	MT3537-015	Blade Locking / Releasing Wrench	1
16	MT3537-016	Lockpin	1
17	MT3537-017	Bearing	1
18	MT3537-018	O Ring	1
19	MT3537-019	Circlip	1
20	MT3537-020	Bearing Seat	1
21	MT3537-021	Screw M4x10	1
22	MT3537-022	Bearing	1

No.	Part No.	Description	Qty.
23	MT3537-023	Circlip	1
24	MT3537-024	Armature	1
25	MT3537-025	Bearing	1
26	MT3537-026	Bearing Seat	1
27	MT3537-027	Windshield	1
28	MT3537-028	Rubber Pin	2
29	MT3537-029	Stator	1
30	MT3537-030	Housing	1
31	MT3537-031	Push Button	1
32	MT3537-032	Pull Bar	1
33	MT3537-033	Screw	2
34	MT3537-034	Switch	1
35	MT3537-035	Cable Holder	1
36	MT3537-036	Screw	2
37	MT3537-037	Brush Holder	2
38	MT3537-038	Carbon Brush	2
39	MT3537-039	Coil Spring	2
40	MT3537-040	LED Cover	1
41	MT3537-041	Screw	2
42	MT3537-042	Rear Housing	1
43	MT3537-043	Cable Sleeve	1
44	MT3537-044	Cable	1

NOTE: Not all parts may be available for purchase. Parts and accessories that wear down over the course of normal use are not covered under the warranty.

WARRANTY STATEMENT

WEN Products is committed to building tools that are dependable for years. Our warranties are consistent with this commitment and our dedication to quality.

LIMITED WARRANTY OF WEN PRODUCTS FOR HOME USE

GREAT LAKES TECHNOLOGIES, LLC (“Seller”) warrants to the original purchaser only, that all WEN consumer power tools will be free from defects in material or workmanship during personal use for a period of two (2) years from date of purchase or 500 hours of use; whichever comes first. Ninety days for all WEN products if the tool is used for professional or commercial use. Purchaser has 30 days from the date of purchase to report missing or damaged parts.

SELLER’S SOLE OBLIGATION AND YOUR EXCLUSIVE REMEDY under this Limited Warranty and, to the extent permitted by law, any warranty or condition implied by law, shall be the replacement of parts, without charge, which are defective in material or workmanship and which have not been subjected to misuse, alteration, careless handling, misrepair, abuse, neglect, normal wear and tear, improper maintenance, or other conditions adversely affecting the Product or the component of the Product, whether by accident or intentionally, by persons other than Seller. To make a claim under this Limited Warranty, you must make sure to keep a copy of your proof of purchase that clearly defines the Date of Purchase (month and year) and the Place of Purchase. Place of Purchase must be a direct vendor of Great Lakes Technologies, LLC. Purchasing through third party vendors, including but not limited to garage sales, pawn shops, resale shops, or any other secondhand merchant, voids the warranty included with this product. Contact techsupport@wenproducts.com or 1-800-232-1195 with the following information to make arrangements: your shipping address, phone number, serial number, required part numbers, and proof of purchase. Damaged or defective parts and products may need to be sent to WEN before the replacements can be shipped out.

Upon the confirmation of a WEN representative, your product may qualify for repairs and service work. When returning a product for warranty service, the shipping charges must be prepaid by the purchaser. The product must be shipped in its original container (or an equivalent), properly packed to withstand the hazards of shipment. The product must be fully insured with a copy of the proof of purchase enclosed. There must also be a description of the problem in order to help our repairs department diagnose and fix the issue. Repairs will be made and the product will be returned and shipped back to the purchaser at no charge for addresses within the contiguous United States.

THIS LIMITED WARRANTY DOES NOT APPLY TO ITEMS THAT WEAR OUT FROM REGULAR USAGE OVER TIME, INCLUDING BELTS, BRUSHES, BLADES, BATTERIES, ETC. ANY IMPLIED WARRANTIES SHALL BE LIMITED IN DURATION TO TWO (2) YEARS FROM DATE OF PURCHASE. SOME STATES IN THE U.S. AND SOME CANADIAN PROVINCES DO NOT ALLOW LIMITATIONS ON HOW LONG AN IMPLIED WARRANTY LASTS, SO THE ABOVE LIMITATION MAY NOT APPLY TO YOU.

IN NO EVENT SHALL SELLER BE LIABLE FOR ANY INCIDENTAL OR CONSEQUENTIAL DAMAGES (INCLUDING BUT NOT LIMITED TO LIABILITY FOR LOSS OF PROFITS) ARISING FROM THE SALE OR USE OF THIS PRODUCT. SOME STATES IN THE U.S. AND SOME CANADIAN PROVINCES DO NOT ALLOW THE EXCLUSION OR LIMITATION OF INCIDENTAL OR CONSEQUENTIAL DAMAGES, SO THE ABOVE LIMITATION OR EXCLUSION MAY NOT APPLY TO YOU.

THIS LIMITED WARRANTY GIVES YOU SPECIFIC LEGAL RIGHTS, AND YOU MAY ALSO HAVE OTHER RIGHTS WHICH VARY FROM STATE TO STATE IN THE U.S., PROVINCE TO PROVINCE IN CANADA AND FROM COUNTRY TO COUNTRY.

THIS LIMITED WARRANTY APPLIES ONLY TO ITEMS SOLD WITHIN THE UNITED STATES OF AMERICA, CANADA AND THE COMMONWEALTH OF PUERTO RICO. FOR WARRANTY COVERAGE WITHIN OTHER COUNTRIES, CONTACT THE WEN CUSTOMER SUPPORT LINE. FOR WARRANTY PARTS OR PRODUCTS REPAIRED UNDER WARRANTY SHIPPING TO ADDRESSES OUTSIDE OF THE CONTIGUOUS UNITED STATES, ADDITIONAL SHIPPING CHARGES MAY APPLY.

**THANKS FOR
REMEMBERING**

