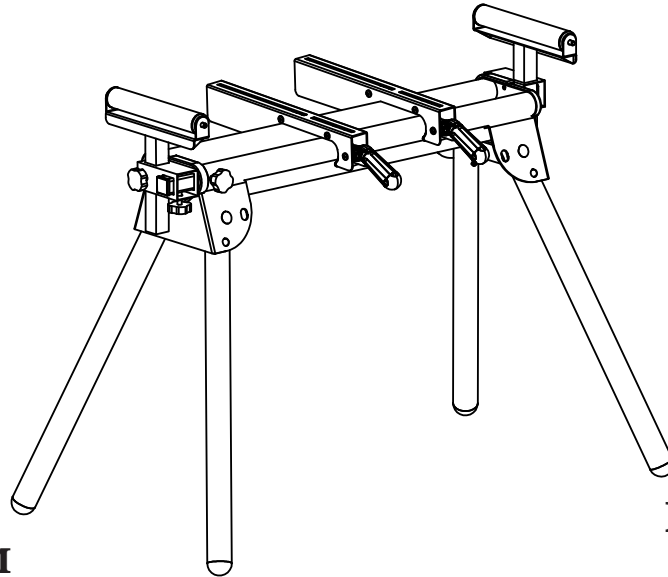




# MITER SAW STAND



For replacement parts visit  
**WENPRODUCTS.COM**

**Model # MSA750**  
bit.ly/wenvideo


## IMPORTANT:

Your new tool has been engineered and manufactured to WEN's highest standards for dependability, ease of operation, and operator safety. When properly cared for, this product will supply you years of rugged, trouble-free performance. Pay close attention to the rules for safe operation, warnings, and cautions. If you use your tool properly and for intended purpose, you will enjoy years of safe, reliable service.



## NEED HELP? CONTACT US!

Have product questions? Need technical support?  
Please feel free to contact us at:

 **800-232-1195** (M-F 8AM-5PM CST)

 **techsupport@wenproducts.com**

 **WENPRODUCTS.COM**

**NOTICE: Please refer to [wenproducts.com](http://wenproducts.com) for the most up-to-date instruction manual.**

## TABLE OF CONTENTS

---

Technical Data .....	2
General Safety Rules .....	3
Specific Rules For The Miter Saw Stand .....	4
Know Your Miter Saw Stand .....	5
Assembly & Adjustments .....	6
Operation .....	7
Warranty .....	9

## TECHNICAL DATA

---

Model Number:	MSA750
Tubular Legs and Crossbars Diameter:	1.8 in.
Extension Rail Support Distance:	34 in. (minimum) 69 in. (maximum)
Height to Saw Mounting Base:	29.5 in.
Saw Mounting Bracket Slot Length:	15 in.
Roller Length:	9 in.
Total Weight Support:	750 lbs
Product Net Weight:	39.7 lbs

## GENERAL SAFETY RULES

---

Safety is a combination of common sense, staying alert and knowing how your item works.

### **SAVE THESE SAFETY INSTRUCTIONS.**



**WARNING:** To avoid mistakes and serious injury, do not plug in your tool until the following steps have been read and understood.

1. **READ** and become familiar with this entire instruction manual. **LEARN** the tool's applications, limitations, and possible hazards.
2. **AVOID DANGEROUS CONDITIONS. DO NOT** use power tools in wet or damp areas or expose them to rain.
3. **DO NOT** use power tools in the presence of flammable liquids or gases.
4. **ALWAYS** keep your work area clean, uncluttered, well lit and well ventilated. **DO NOT** work on floor surfaces that are slippery with sawdust or wax.
5. **KEEP BYSTANDERS AT A SAFE DISTANCE** from the work area, especially when the tool is running. **NEVER** allow children or pets near the tool.
6. **DRESS FOR SAFETY. DO NOT** wear loose clothing, gloves, neckties, or jewelry (rings, watches, etc.) When operating the tool, inappropriate clothing and items can get caught in moving parts and draw you in. **ALWAYS** wear non-slip footwear and tie back long hair.
7. **APPROVED SAFETY GLASSES** should be worn by the operator and any assistants when using a miter saw. Use ear protection such as plugs or muffs during extended periods of operation.
8. **WEAR A FACE MASK OR DUST MASK** to fight the dust produced by sanding operations.



**WARNING:** Dust generated from certain materials can be hazardous to your health. Always operate the tool in a well-ventilated area and provide for proper dust removal. Use dust collection systems whenever possible.

9. **STAY ALERT.** A moments of inattention when operating power tools may result in serious personal injury. **DO NOT** use if tired or under the influence of drugs, alcohol or medication.
10. **CHECK FOR DAMAGED PARTS.** Check for alignment of moving parts, jamming, breakage, improper mounting, or any other conditions that may affect the tool's operation. Any part that is damaged should be properly repaired or replaced before use.
11. **DO NOT MODIFY** or use the tool to do a job for which it was not designed.
12. **NEVER STAND ON A TOOL.** Serious injury could result if the tool tips or is accidentally hit. **DO NOT** store anything above or near the tool.

## **GENERAL SAFETY RULES**

---

13. **AVOID ACCIDENTAL START-UPS.** Make sure the power switch is in the **OFF** position before plugging in the power cord.
14. **REMOVE ADJUSTMENT TOOLS.** Always make sure all adjustment tools are removed from the saw before turning it on.
15. **KEEP GUARDS IN PLACE AND IN WORKING ORDER.**
16. **DO NOT OVERREACH.** Keep proper footing and balance at all times.
17. **NEVER LEAVE A RUNNING TOOL UNATTENDED.** Turn the power switch to **OFF**. Do not leave the tool until it has come to a complete stop.
18. **ALWAYS** remove the power cord plug from the electrical outlet when making adjustments, changing parts, cleaning, or working on the tool.
19. **MAINTAIN TOOLS PROPERLY.** **ALWAYS** keep tools clean and in good working order. Follow instructions for lubricating and changing accessories.

## **SPECIFIC RULES FOR THE MITER SAW STAND**

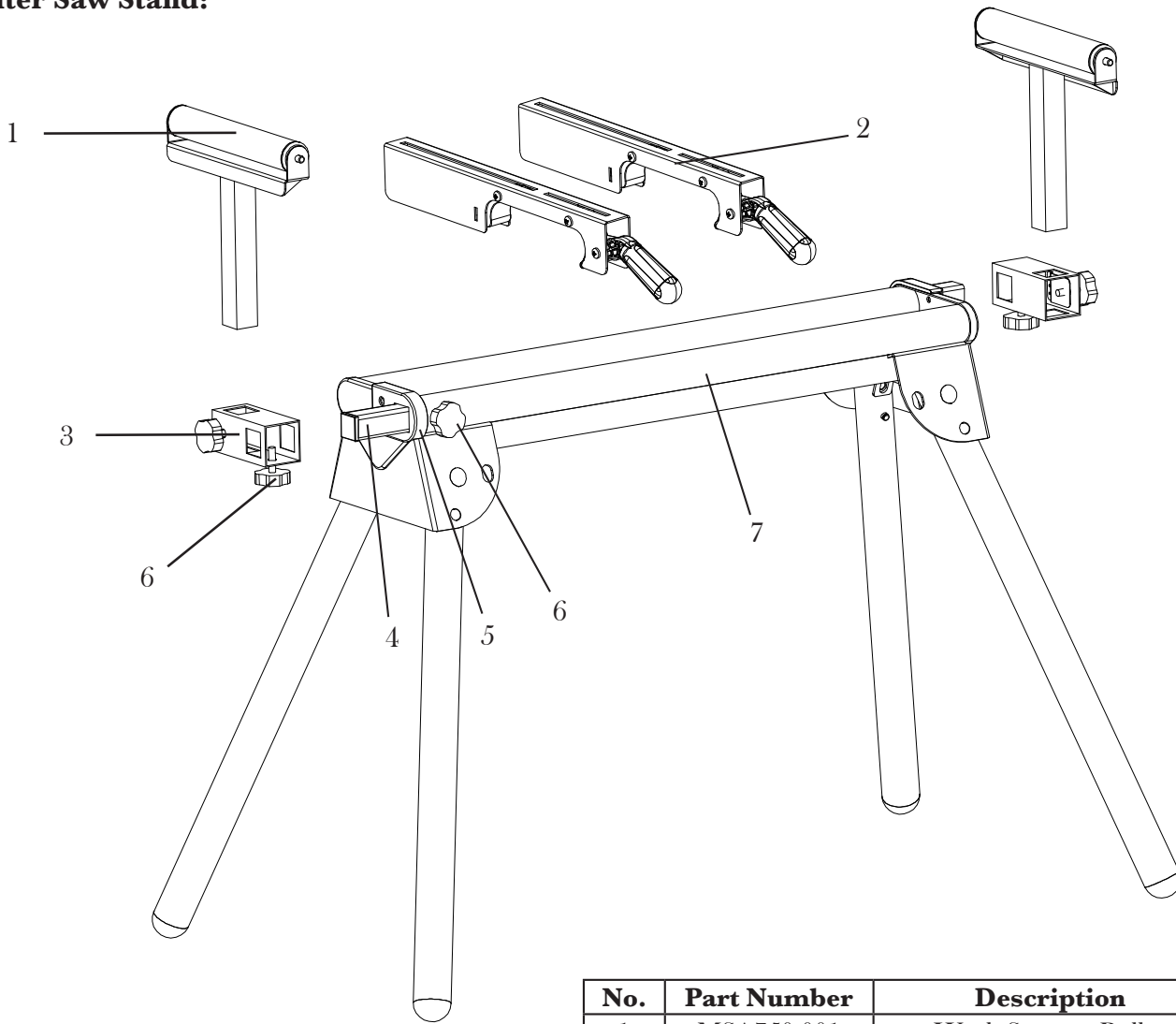
---

1. For maximum stability, use the miter saw stand **ONLY ON A FLAT, LEVEL SURFACE**.
2. **BE CAREFUL** when raising or lowering the stand to prevent trapping fingers or hands.
3. **DO NOT** step or climb on the stand.
4. Before operation, ensure that the snap buttons on each leg are in the **LOCKED POSITION** and the material supports are **LOCKED IN PLACE**.
5. **ENSURE** that the miter saw is securely fastened to the stand to prevent unwanted movement of the saw.
6. **DO NOT OVERLOAD** the side extension arms.
7. The main frame can support 750 pounds of total weight (saw + material). **DO NOT EXCEED THIS WEIGHT FOR ANY REASON.**
8. **DO NOT USE IF THE STAND BECOMES DAMAGED IN ANY WAY.**
9. **MAKE SURE THE MITER SAW IS AS CENTERED AS POSSIBLE** to maintain balance of the stand. Unbalanced stands can tip during operation and hurt you.

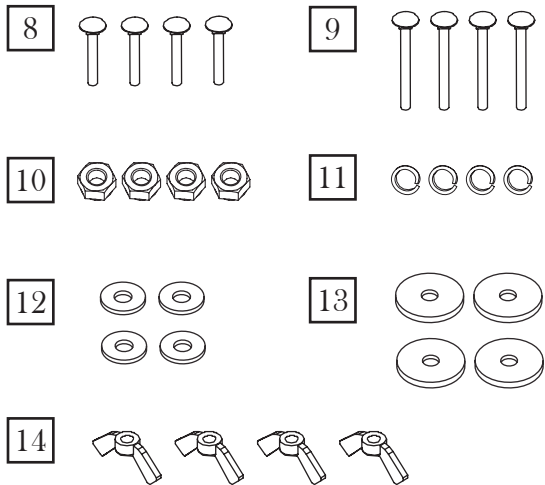
# KNOW YOUR MITER SAW STAND

Carefully unpack and remove all contents from the box. Use the illustrations below to become familiar with the various components of this miter saw stand. If any part is damaged or missing, please contact our customer service at (800) 232-1195, M-F 8-5 CST or email techsupport@wenproducts.com.

## Miter Saw Stand:



## Mounting Hardware:



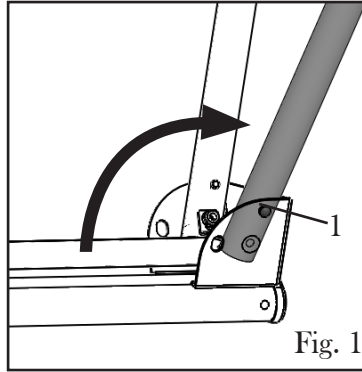
No.	Part Number	Description	Qty.
1	MSA750-001	Work Support Roller	2
2	MSA750-002	Saw Mounting Bracket Assembly	2
3	MSA750-003	Work Support Bracket	2
4	MSA750-004	Extension Arm	2
5	MSA750-005	Extension Arm Guide	2
6	MSA750-006	Locking Knob	6
7	MSA750-007	Miter Saw Stand Assembly	1

8	MSA750-008	M6 Carriage Bolts (Short)	4
9	MSA750-009	M6 Carriage Bolts (Long)	4
10	MSA750-010	M6 Hex Nuts	4
11	MSA750-012	M6 Spring Washers	4
12	MSA750-013	M6 Washers (Small)	4
13	MSA750-014	M6 Washers (Large)	4
14	MSA750-013	M6 Wing Nuts	4

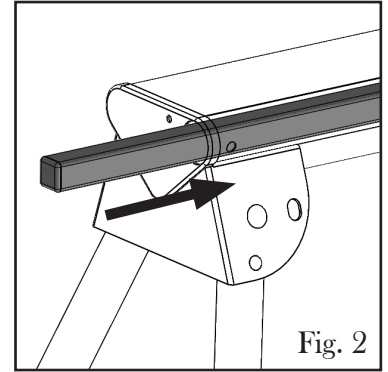
## ASSEMBLY & ADJUSTMENTS

Remove all loose parts from the carton. If you find any pieces that are missing or incorrect, do not operate the tool until the parts have been replaced. Failure to do so could result in serious personal injury.

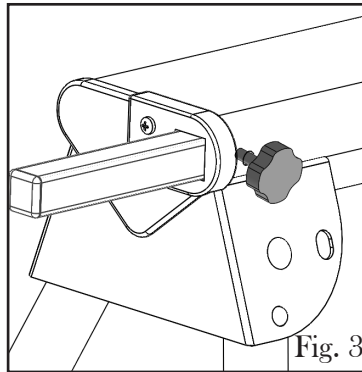
1. Push the locking/unlocking button (Fig. 1 - 1) to deploy all four legs and lock them into place.



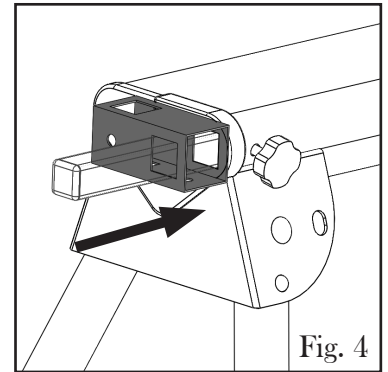
2. Insert each extension arm into the main frame of the crossbars (Fig. 2).



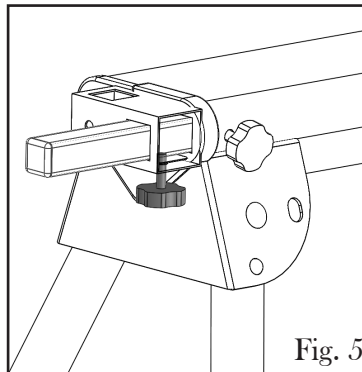
3. Insert the locking knob into the mainframe crossbars to secure the extension arms (Fig. 3).



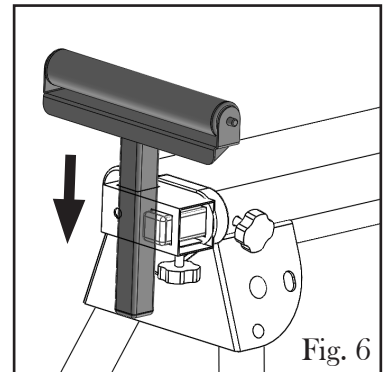
4. Slide the work support brackets onto the extension arms (Fig. 4).



5. Secure the work support brackets in place using the locking knobs (Fig. 5).



6. Insert the work support rollers into the brackets (Fig. 6) and lock them in place using the locking knobs (Fig. 7).



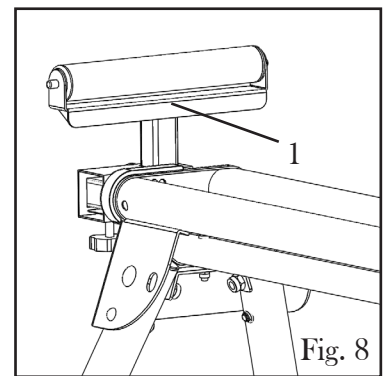
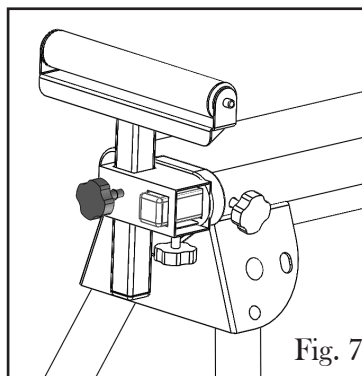
### **For Normal Cutting Operations:**

The top of the rollers should be level with the surface of the miter saw's table. This will ensure a level support for your workpiece.

Slide the extension arms to a suitable distance in order to provide maximum support for your workpiece.

### **For Repetitive Cutting Operations:**

The support roller can also be used as a stop face for repetitive cutting operations. Orient the roller so the stop face (Fig. 8 - 1) faces the miter saw. Adjust the height of the roller so that the stop face is level with the surface of the miter saw's table.



Adjust the relevant extension arm until the stop face is at the required stopping distance.

# ASSEMBLY & ADJUSTMENTS

---

## CHECKING AND ADJUSTING THE CLAMPING PRESSURE

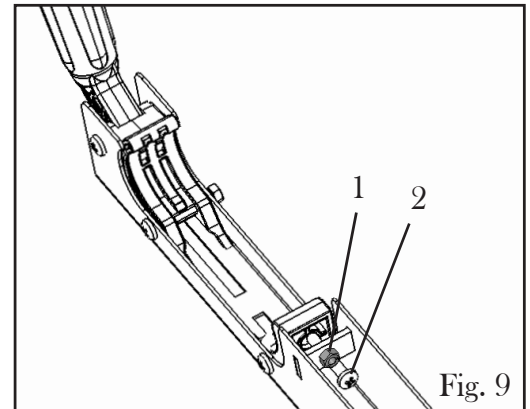
The clamping pressure of each saw mounting bracket should be checked before it is attached to a miter saw.

### To Check The Clamping Pressure:

When fitted across the two main crossbars with the locking handle in the down (locked) position, a bracket should be firm and exhibit no signs of movement. Avoid using excessive force to deploy the locking lever to the down position. Gently pressing the lever downwards with the palm of your hand should be all the force needed to operate the locking lever.

### To Adjust The Clamping Pressure:

1. Turn the clamp upside down to reveal the mechanism.
2. Loosen the lock nut (Fig. 9 - 1).
3. Turn the adjustment screw (Fig. 9 - 2) clockwise to increase the clamping pressure. Turn the screw counterclockwise to decrease the clamping pressure.
4. Tighten the lock nut when the clamping pressure is at the satisfactory level. Adjust for both saw mounting brackets.



## OPERATION

---

### MOUNTING A MITER SAW TO THE STAND

The miter saw stand should fit most miter saws. Refer to the next section on Page 8 for mounting uncommon miter saws.

1. Remove and safely store the four plastic feet from underneath the base of the miter saw (Fig. 10). If the miter saw has a stability block underneath the positive stop locking lever, remove and safely store it as well.
2. Place the miter saw onto the saw mounting brackets, making sure the front of the machine faces the locking handles.
3. Attach the miter saw to the mounting brackets using four sets of the following combination from your mounting hardware:



Fig. 10



Fig. 11

- 1) M6 Carriage Bolts (Short) or M6 Carriage Bolts (Long), depending on the thickness of your miter saw base.
  - 2) M6 Washers (Small) or M6 Washers (Large)
  - 3) M6 Spring Washers and M6 Hex Nuts, or M6 Wing Nuts
4. Finger tighten the nuts and make sure the miter saw is securely mounted onto the mounting brackets (Fig. 11).  
**NOTE:** Only tighten lock nuts and screws to be finger tight at this stage, in case adjustments are needed after attaching the miter saw.

## OPERATION

---

### MOUNTING A MITER SAW TO THE STAND (CONTINUED)

5. Hook the front of the brackets over the front of the miter stand's tubular crossbar (Fig. 12).



Fig. 12

6. Push the back of the brackets down to engage them onto the back crossbar (Fig. 13).



Fig. 13

7. Lock the brackets into place by gently pressing down the locking levers (Fig. 14).



Fig. 14

8. To ensure the stability of the miter saw stand and the mounted machine during cutting operations, adjust the position of the miter saw so the fence of the miter saw is aligned with the center of the rear crossbar of the stand.

9. When the miter saw is correctly positioned on the stand, securely tighten the four mounting nuts.

### MOUNTING UNUSUAL MITER SAWS

If your miter saw is strange or unusual in terms of either its mounting holes or its social skills, don't be alarmed. Every miter saw is special in its own unique way. If you have one of these special miter saws, an adaptor plate may be necessary. The adaptor should be a square or rectangular worktop (such as a piece of plywood) that fits the footprint and mounting hole configuration of your miter saw. We recommend using a piece of plywood at least one inch thick.

1. Bolt the adaptor plate securely to the two saw mounting brackets.

2. Attach the adaptor plate onto the miter saw stand using the saw mounting brackets and lock it in place.

3. Position the miter saw above the adaptor plate. Ensure that the bulk and weight of the miter saw is centrally located over the two crossbars. The saw fence should align as closely as possible with the center line of the miter saw stand's rear crossbar. Bolt the miter saw securely to the adaptor plate with appropriate screws and fixings.

4. Check the stability of the machine and installation before operation.

**NOTE:** Consult the manufacturer of the saw for any special adjustments, requirements or fixings needed to permanently mount your saw to a worktop. Take precaution over a full range of operating conditions. Don't be judgmental towards your saw for being different than the other saws on the market. You will hurt its feelings.



## LIMITED TWO YEAR WARRANTY

---

WEN Products is committed to building tools that are dependable for years. Our warranties are consistent with this commitment and our dedication to quality.

### LIMITED WARRANTY OF WEN CONSUMER POWER TOOLS PRODUCTS FOR HOME USE

GREAT LAKES TECHNOLOGIES, LLC (“Seller”) warrants to the original purchaser only, that all WEN consumer power tools will be free from defects in material or workmanship for a period of two (2) years from date of purchase. Ninety days for all WEN products, if the tool is used for professional use.

**SELLER’S SOLE OBLIGATION AND YOUR EXCLUSIVE REMEDY** under this Limited Warranty and, to the extent permitted by law, any warranty or condition implied by law, shall be the repair or replacement of parts, without charge, which are defective in material or workmanship and which have not been misused, carelessly handled, or misrepaired by persons other than Seller or Authorized Service Center. To make a claim under this Limited Warranty, you must make sure to keep a copy of your proof of purchase that clearly defines the Date of Purchase (month and year) and the Place of Purchase. Place of purchase must be a direct vendor of Great Lakes Technologies, LLC. Third party vendors such as garage sales, pawn shops, resale shops, or any other secondhand merchant void the warranty included with this product. Contact [techsupport@wenproducts.com](mailto:techsupport@wenproducts.com) or 1-800-232-1195 to make arrangements for repairs and transportation.

When returning a product for warranty service, the shipping charges must be prepaid by the purchaser. The product must be shipped in its original container (or an equivalent), properly packed to withstand the hazards of shipment. The product must be fully insured with a copy of the warranty card and/or the proof of purchase enclosed. There must also be a description of the problem in order to help our repairs department diagnose and fix the issue. Repairs will be made and the product will be returned and shipped back to the purchaser at no charge.

**THIS LIMITED WARRANTY DOES NOT APPLY TO ACCESSORY ITEMS THAT WEAR OUT FROM REGULAR USAGE OVER TIME INCLUDING BELTS, BRUSHES, BLADES, ETC. ANY IMPLIED WARRANTIES SHALL BE LIMITED IN DURATION TO TWO (2) YEARS FROM DATE OF PURCHASE. SOME STATES IN THE U.S., SOME CANADIAN PROVINCES DO NOT ALLOW LIMITATIONS ON HOW LONG AN IMPLIED WARRANTY LASTS, SO THE ABOVE LIMITATION MAY NOT APPLY TO YOU.**

**IN NO EVENT SHALL SELLER BE LIABLE FOR ANY INCIDENTAL OR CONSEQUENTIAL DAMAGES (INCLUDING BUT NOT LIMITED TO LIABILITY FOR LOSS OF PROFITS) ARISING FROM THE SALE OR USE OF THIS PRODUCT. SOME STATES IN THE U.S. AND SOME CANADIAN PROVINCES DO NOT ALLOW THE EXCLUSION OR LIMITATION OF INCIDENTAL OR CONSEQUENTIAL DAMAGES, SO THE ABOVE LIMITATION OR EXCLUSION MAY NOT APPLY TO YOU.**

**THIS LIMITED WARRANTY GIVES YOU SPECIFIC LEGAL RIGHTS, AND YOU MAY ALSO HAVE OTHER RIGHTS WHICH VARY FROM STATE TO STATE IN THE U.S., PROVINCE TO PROVINCE IN CANADA AND FROM COUNTRY TO COUNTRY.**

**THIS LIMITED WARRANTY APPLIES ONLY TO PORTABLE ELECTRIC TOOLS, BENCH POWER TOOLS, OUTDOOR POWER EQUIPMENT AND PNEUMATIC TOOLS SOLD WITHIN THE UNITED STATES OF AMERICA, CANADA AND THE COMMONWEALTH OF PUERTO RICO. FOR WARRANTY COVERAGE WITHIN OTHER COUNTRIES, CONTACT THE WEN CUSTOMER SUPPORT LINE.**

**THANKS FOR REMEMBERING**

