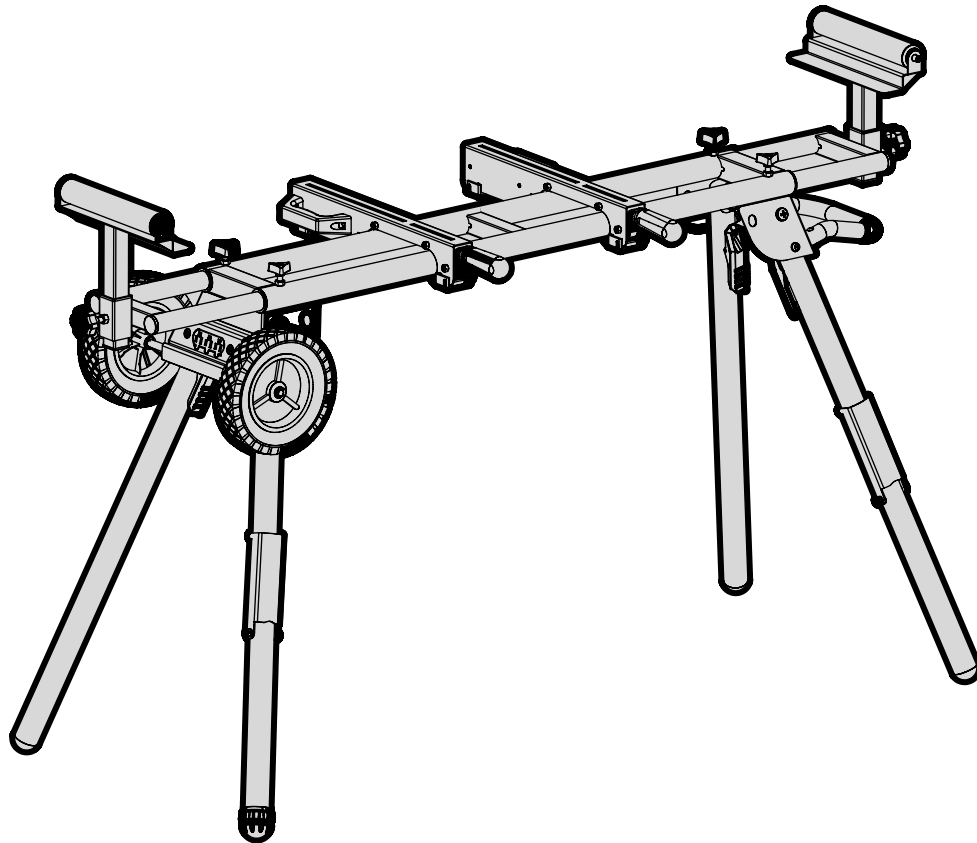




MODEL MSA330

COLLAPSIBLE, ROLLING MITER SAW STAND

Instruction Manual



NEED HELP? CONTACT US!

Have product questions? Need technical support? Please feel free to contact us:



1-800-232-1195 (M-F 8AM-5PM CST)



TECHSUPPORT@WENPRODUCTS.COM

IMPORTANT: Your new tool has been engineered and manufactured to WEN's highest standards for dependability, ease of operation, and operator safety. When properly cared for, this product will supply you years of rugged, trouble-free performance. Pay close attention to the rules for safe operation, warnings, and cautions. If you use your tool properly and for its intended purpose, you will enjoy years of safe, reliable service.

For replacement parts and the most up-to-date instruction manuals, visit ***WENPRODUCTS.COM***

CONTENTS

WELCOME	3
<hr/>	
Introduction	3
Specifications.....	3
SAFETY	4
<hr/>	
General Safety Rules	4
Electrical Information.....	6
BEFORE OPERATING	7
<hr/>	
Unpacking & Packing List	7
Know Your Miter Saw Stand	8
Assembly & Adjustment.....	9
OPERATION & MAINTENAN	11
<hr/>	
Operation	11
Maintenance.....	12
Exploded View & Parts List.....	13
Warranty Statement	14

INTRODUCTION

Thanks for purchasing the WEN Miter Saw Stand. We know you are excited to put your tool to work, but first, please take a moment to read through the manual. Safe operation of this tool requires that you read and understand this operator's manual and all the labels affixed to the tool. This manual provides information regarding potential safety concerns, as well as helpful assembly and operating instructions for your tool.

⚠ SAFETY ALERT SYMBOL: Indicates danger, warning, or caution. The safety symbols and the explanations with them deserve your careful attention and understanding. Always follow the safety precautions to reduce the risk of fire, electric shock or personal injury. However, please note that these instructions and warnings are not substitutes for proper accident prevention measures.

NOTE: The following safety information is not meant to cover all possible conditions and situations that may occur. WEN reserves the right to change this product and specifications at any time without prior notice.

At WEN, we are continuously improving our products. If you find that your tool does not exactly match this manual, please visit wenproducts.com for the most up-to-date manual or contact our customer service at **1-800-232-1195**.

Keep this manual available to all users during the entire life of the tool and review it frequently to maximize safety for both yourself and others.

SPECIFICATIONS

Model Number	MSA330
Maximum Loading Capacity	330 lbs (150 kg) Evenly Distributed
Height	32-1/4 inch (819 mm)
Support Rollers Retracted Width	46 inch (1168 mm)
Support Rollers Extended Width	79-1/4 inch (2013 mm)
Power Outlet Input Rating	3 Outlets, 120V, 60Hz, 15A
Main Frame Diameter	1-1/2 inch
Saw Mounting Bracket Slot Length	15 inch
Roller Width	9-1/2 inch
Maximum Product Dimensions	79-1/4 x 24-7/8 x 39-3/8 inch
Product Net Weight	38 lbs

GENERAL SAFETY RULES

 **WARNING!** Read all safety warnings and all instructions. Failure to follow the warnings and instructions may result in electric shock, fire and/or serious injury.

Safety is a combination of common sense, staying alert and knowing how your item works. The term “power tool” in the warnings refers to your mains-operated (corded) power tool or battery-operated (cordless) power tool.

SAVE THESE SAFETY INSTRUCTIONS.

WORK AREA SAFETY

- 1. Keep work area clean and well lit.** Cluttered or dark areas invite accidents.
- 2. Do not operate power tools in explosive atmospheres, such as in the presence of flammable liquids, gases or dust.** Power tools create sparks which may ignite the dust or fumes.
- 3. Keep children and bystanders away while operating a power tool.** Distractions can cause you to lose control.

ELECTRICAL SAFETY

- 1. Power tool plugs must match the outlet. Never modify the plug in any way. Do not use any adapter plugs with earthed (grounded) power tools.** Unmodified plugs and matching outlets will reduce risk of electric shock.
- 2. Avoid body contact with earthed or grounded surfaces such as pipes, radiators, ranges and refrigerators.** There is an increased risk of electric shock if your body is earthed or grounded.
- 3. Do not expose power tools to rain or wet conditions.** Water entering a power tool will increase the risk of electric shock.
- 4. Do not abuse the cord. Never use the cord for carrying, pulling or unplugging the power tool. Keep cord away from heat, oil, sharp edges or moving parts.** Damaged or entangled cords increase the risk of electric shock.
- 5. When operating a power tool outdoors, use an extension cord suitable for outdoor use.** Use of a cord suitable for outdoor use reduces the risk of electric shock.

- 6. If operating a power tool in a damp location is unavoidable, use a ground fault circuit interrupter (GFCI) protected supply.** Use of a GFCI reduces the risk of electric shock.

PERSONAL SAFETY

- 1. Stay alert, watch what you are doing and use common sense when operating a power tool. Do not use a power tool while you are tired or under the influence of drugs, alcohol or medication.** A moment of inattention while operating power tools may result in serious personal injury.
- 2. Use personal protective equipment. Always wear eye protection.** Protective equipment such as a respiratory mask, non-skid safety shoes and hearing protection used for appropriate conditions will reduce the risk of personal injury.
- 3. Prevent unintentional starting. Ensure the switch is in the off-position before connecting to power source and/or battery pack, picking up or carrying the tool.** Carrying power tools with your finger on the switch or energizing power tools that have the switch on invites accidents.
- 4. Remove any adjusting key or wrench before turning the power tool on.** A wrench or a key left attached to a rotating part of the power tool may result in personal injury.
- 5. Do not overreach. Keep proper footing and balance at all times.** This enables better control of the power tool in unexpected situations.
- 6. Dress properly. Do not wear loose clothing or jewelry. Keep your hair and clothing away from moving parts.** Loose clothes, jewelry or long hair can be caught in moving parts.

GENERAL SAFETY RULES

⚠ WARNING! Read all safety warnings and all instructions. Failure to follow the warnings and instructions may result in electric shock, fire and/or serious injury.

Safety is a combination of common sense, staying alert and knowing how your item works. The term “power tool” in the warnings refers to your mains-operated (corded) power tool or battery-operated (cordless) power tool.

SAVE THESE SAFETY INSTRUCTIONS.

7. If devices are provided for the connection of dust extraction and collection facilities, ensure these are connected and properly used. Use of dust collection can reduce dust-related hazards.

POWER TOOL USE AND CARE

1. Do not force the power tool. Use the correct power tool for your application. The correct power tool will do the job better and safer at the rate for which it was designed.

2. Do not use the power tool if the switch does not turn it on and off. Any power tool that cannot be controlled with the switch is dangerous and must be repaired.

3. Disconnect the plug from the power source and/or the battery pack from the power tool before making any adjustments, changing accessories, or storing power tools. Such preventive safety measures reduce the risk of starting the power tool accidentally.

4. Store idle power tools out of the reach of children and do not allow persons unfamiliar with the power tool or these instructions to operate the power tool. Power tools are dangerous in the hands of untrained users.

5. Maintain power tools. Check for misalignment or binding of moving parts, breakage of parts and any other condition that may affect the power tool's operation. If damaged, have the power tool repaired before use. Many accidents are caused by poorly maintained power tools.

6. Keep cutting tools sharp and clean. Properly maintained cutting tools with sharp cutting edges are less likely to bind and are easier to control.

7. Use the power tool, accessories and tool bits, etc. in accordance with these instructions, taking into account the working conditions and the work to be performed. Use of the power tool for operations different from those intended could result in a hazardous situation.

8. Use clamps to secure your workpiece to a stable surface. Holding a workpiece by hand or using your body to support it may lead to loss of control.

9. KEEP GUARDS IN PLACE and in working order.

SERVICE

1. Have your power tool serviced by a qualified repair person using only identical replacement parts. This will ensure that the safety of the power tool is maintained.

CALIFORNIA PROPOSITION 65 WARNING

Some dust created by power sanding, sawing, grinding, drilling, and other construction activities may contain chemicals, including lead, known to the State of California to cause cancer, birth defects, or other reproductive harm. Wash hands after handling. Some examples of these chemicals are:

- Lead from lead-based paints.
- Crystalline silica from bricks, cement, and other masonry products.
- Arsenic and chromium from chemically treated lumber.

Your risk from these exposures varies depending on how often you do this type of work. To reduce your exposure to these chemicals, work in a well-ventilated area with approved safety equipment such as dust masks specially designed to filter out microscopic particles.

ELECTRICAL INFORMATION

GROUNDING INSTRUCTIONS

In the event of a malfunction or breakdown, grounding provides the path of least resistance for an electric current and reduces the risk of electric shock. This tool is equipped with an electric cord that has an equipment grounding conductor and a grounding plug. The plug **MUST** be plugged into a matching outlet that is properly installed and grounded in accordance with ALL local codes and ordinances.

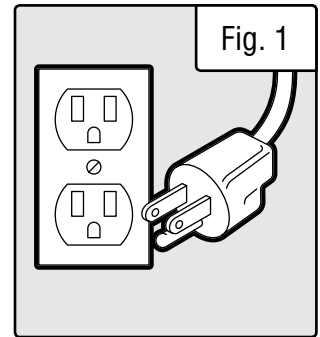
1. Do not modify the plug provided. If it will not fit the outlet, have the proper outlet installed by a licensed electrician.

2. Improper connection of the equipment grounding conductor can result in electric shock. The conductor with the green insulation (with or without yellow stripes) is the equipment grounding conductor. If repair or replacement of the electric cord or plug is necessary, **DO NOT** connect the equipment grounding conductor to a live terminal.

3. Check with a licensed electrician or service personnel if you do not completely understand the grounding instructions or whether the tool is properly grounded.

4. Use only three-wire extension cords that have three-pronged plugs and outlets that accept the tool's plug (INSERT CR). Repair or replace a damaged or worn cord immediately.

CAUTION! In all cases, make certain the outlet in question is properly grounded. If you are not sure, have a licensed electrician check the outlet.



GUIDELINES AND RECOMMENDATIONS FOR EXTENSION CORDS

When using an extension cord, be sure to use one heavy enough to carry the current your product will draw. An undersized cord will cause a drop in line voltage resulting in loss of power and overheating. The table below shows the correct size to be used according to cord length and ampere rating. When in doubt, use a heavier cord. The smaller the gauge number, the heavier the cord.

AMPERAGE	REQUIRED GAUGE FOR EXTENSION CORDS			
	25 ft.	50 ft.	100 ft.	150 ft.
15A	14 gauge	12 gauge	Not Recommended	

1. Examine extension cord before use. Make sure your extension cord is properly wired and in good condition. Always replace a damaged extension cord or have it repaired by a qualified person before using it.

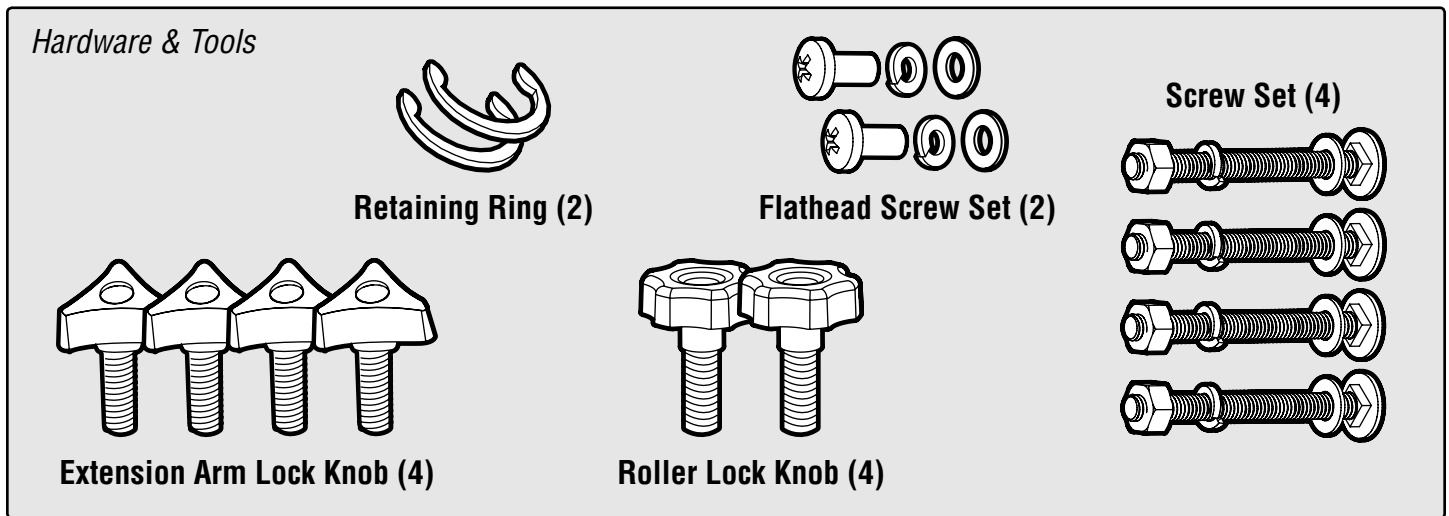
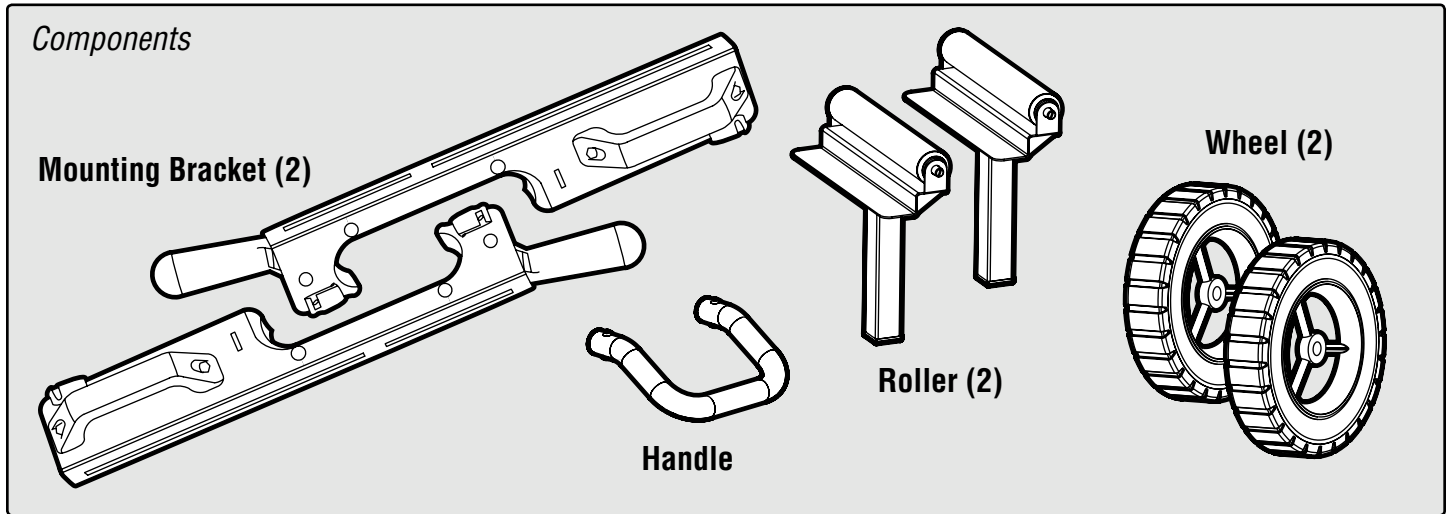
2. Do not abuse extension cord. Do not pull on cord to disconnect from receptacle; always disconnect by pulling on plug. Disconnect the extension cord from the receptacle before disconnecting the product from the extension cord. Protect your extension cords from sharp objects, excessive heat and damp/wet areas.

3. Use a separate electrical circuit for your tool. This circuit must not be less than a 12-gauge wire and should be protected with a 15A time-delayed fuse. Before connecting the motor to the power line, make sure the switch is in the OFF position and the electric current is rated the same as the current stamped on the motor nameplate. Running at a lower voltage will damage the motor.

UNPACKING & PACKING LIST

UNPACKING

With the help of a friend or trustworthy foe, such as one of your in-laws, carefully remove the miter saw stand from the packaging and place it on a sturdy, flat surface. Make sure to take out all contents and accessories. Do not discard the packaging until everything is removed. Check the packing list below to make sure you have all of the parts and accessories. If any part is missing or broken, please contact customer service at **1-800-232-1195** (M-F 8-5 CST), or email techsupport@wenproducts.com.



ASSEMBLY / ADJUSTMENT TOOLS

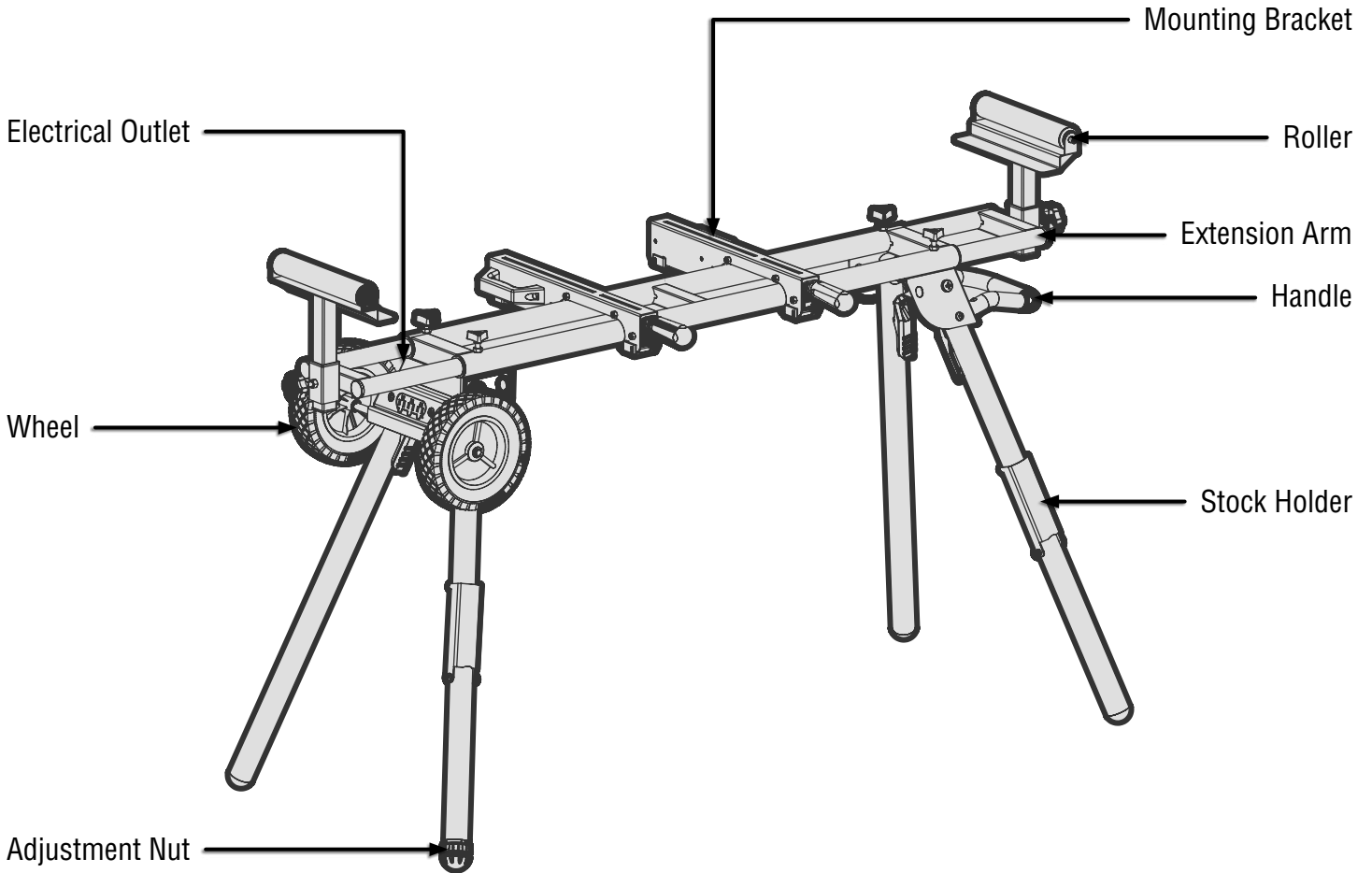
The tools listed below are not included but are required for either assembly or adjustment:

- M6 Hex Wrench
- 13mm Box Wrench
- Phillips Screwdriver

KNOW YOUR MITER SAW STAND

TOOL PURPOSE

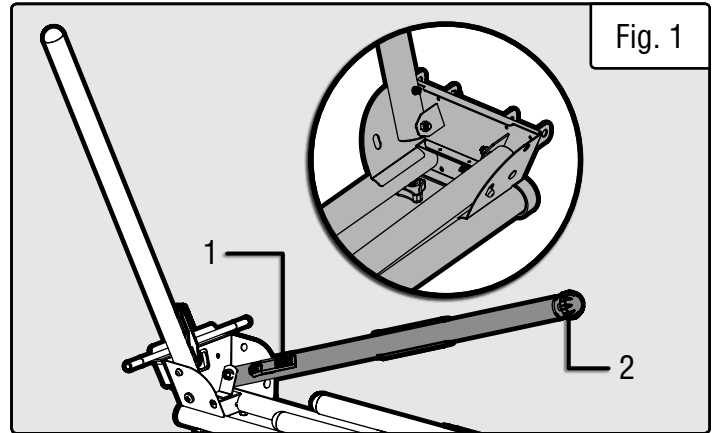
Miter Saw Stands adequately support both your miter saw and your workpiece to help you get the job done. Refer to the following diagrams to become familiarized with all the parts and controls of your Miter Saw Stand. The components will be referred to later in the manual for assembly and operation instructions.



ASSEMBLY & ADJUSTMENTS

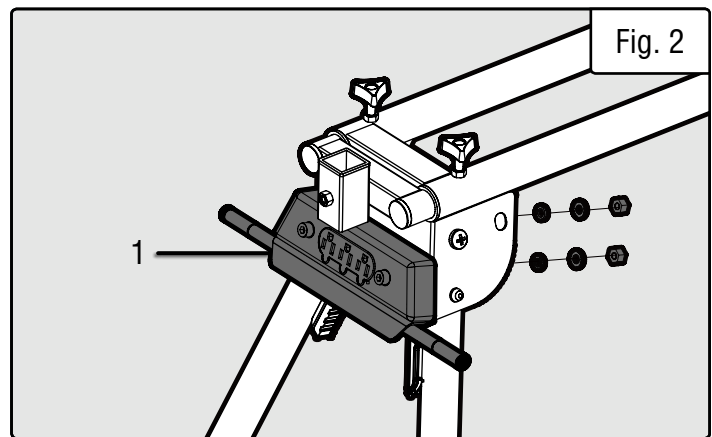
UNFOLDING THE LEGS

1. Place the miter saw stand on a flat surface with the folded legs facing up.
2. Press down the release lever (Fig. 1 - 1) to disengage the locking pin and rotate the leg up until the locking pin clicks into the open position.
3. Deploy all four legs and lock them into place.
4. Flip the stand over to the upright position and check if the stand is stable on the ground.
5. If adjustment is needed, turn the adjustment nut (Fig. 1 - 2) to set the height of the leg until the stand is stable.



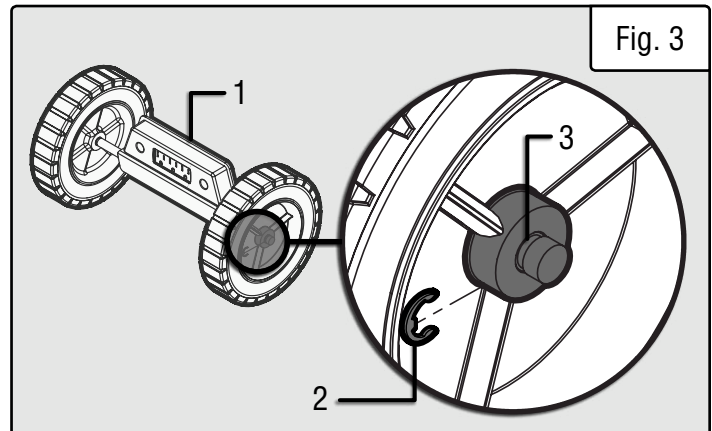
INSTALLING THE WHEELS & AXLE ASSEMBLY

1. Unscrew each nut from two bolts on the axle assembly (Fig. 2 - 1) and remove the washer and lock washer.
2. Insert bolts through two holes on the stand's frame. Replace the lock washer, washer, and nut onto each of the two bolts and tighten the nuts securely (Fig. 2).
3. Slide wheels onto wheel axle assembly (Fig. 3 - 1). Secure each wheel with a retaining ring (Fig. 3 - 2) that goes in groove around wheel axle (Fig. 3 - 3). A rubber mallet might be needed to tap retaining ring into place.



INSTALLING EXTENSION BAR, LOCK KNOBS, & ROLLERS

1. With the extension arms inserted into the main frame, install extension arm lock knobs (Fig. 4 - 1), two on each end of the frame. Slide extension arms to a suitable distance to provide maximum support for your workpiece, and lock the arms in position by tightening lock knobs.
2. Insert the rollers into the extension brackets and secure each roller with a roller lock knob (Fig. 4 - 2).
3. The roller acts as both a roller support and a stop face for your workpiece. To set up the rollers:

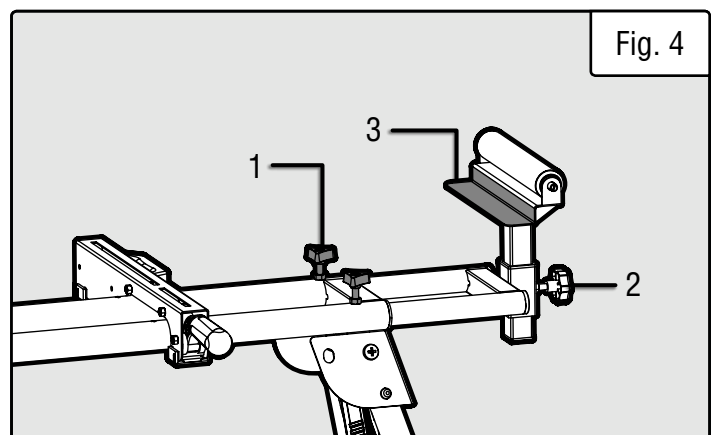


For Normal Cutting Operations

Top of rollers should be level with surface of miter saw's table. This will ensure a level support for your workpiece.

For Repetitive Cutting Operations

Turn the roller so the stop face side (Fig. 4 - 3) faces the miter saw. Adjust the height of the roller so that the stop face is level with the surface of the miter saw's table. Adjust the relevant extension arm until the stop face is at the required stopping distance.



ASSEMBLY & ADJUSTMENTS

INSTALLING THE HANDLE

Secure the handle (Fig. 5 - 1) to the side of the stand without wheels, using two screws, flat washers, and lock washers. Tighten each of the screws so that the handle is secured.

INSTALLING THE MOUNTING BRACKETS

With the locking handle (Fig. 6 - 1) in the unlocked position, hook the bracket onto the stand's main frames.

Lock the brackets into place by gently pressing down the locking levers.

CHECKING & ADJUSTING CLAMPING PRESSURE

The clamping pressure of each saw mounting bracket should be checked before it is attached to a miter saw.

To Check The Clamping Pressure:

When fitted across the two main frames with the locking handle in the down (locked) position, the bracket should be firm and exhibit no signs of movement.

Avoid using excessive force to deploy the locking lever to the down position. Gently pressing the lever downwards with the palm of your hand should be all the force needed to operate the locking lever.

To Adjust The Clamping Pressure:

NOTE: Adjust the clamp pressure when the clamps are disassembled from the stand.

1. Turn the clamp upside down.
2. Loosen the lock nut (Fig. 7 - 1).
3. Turn the adjustment screw (Fig. 7 - 2) clockwise to increase the clamping pressure. Turn the screw counterclockwise to decrease the clamping pressure.
4. Tighten the lock nut when the clamping pressure is at the satisfactory level. Adjust for both saw mounting brackets.

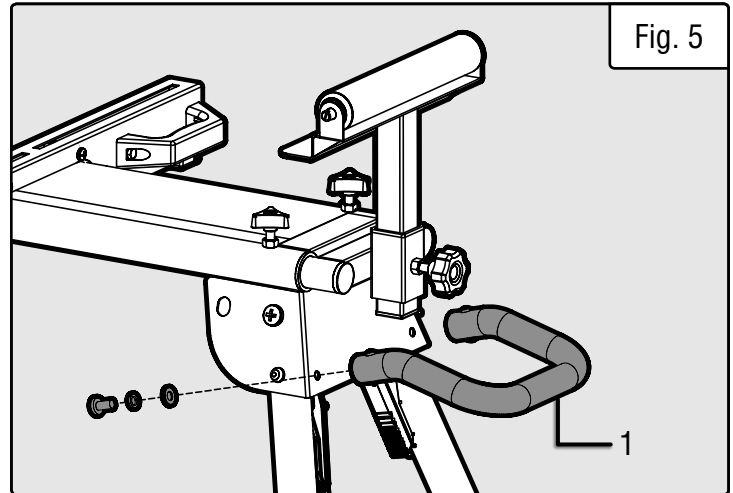


Fig. 5

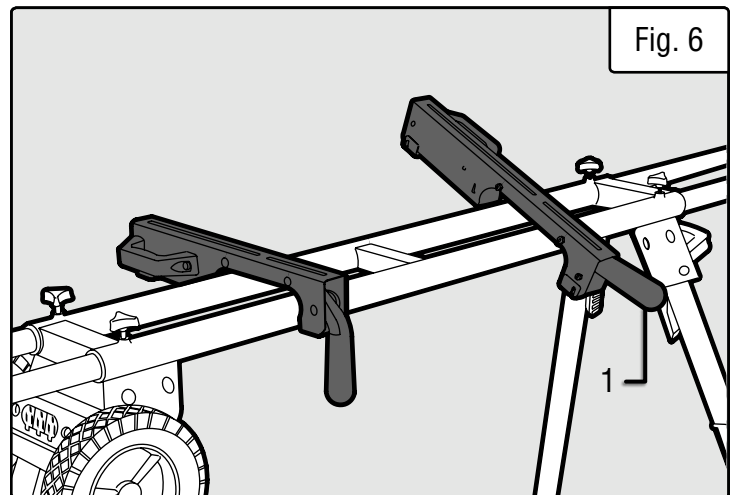


Fig. 6

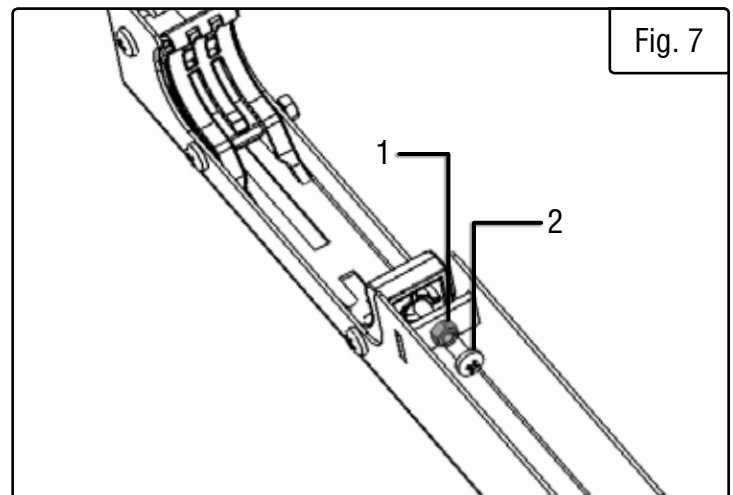


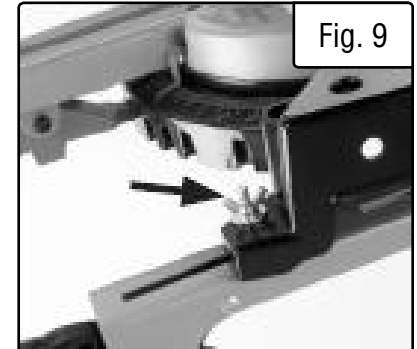
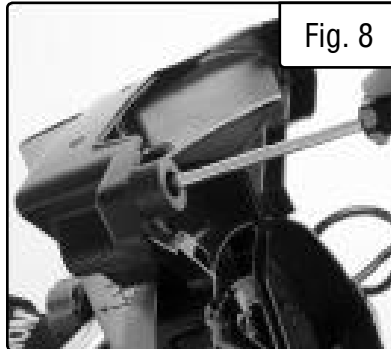
Fig. 7

OPERATION

MOUNTING A MITER SAW TO THE STAND

The miter saw stand should fit most miter saws. Make sure the miter saw is unplugged from power supply before attempting to mount it onto the stand. Refer to the next section on Page 10 for mounting uncommon miter saws.

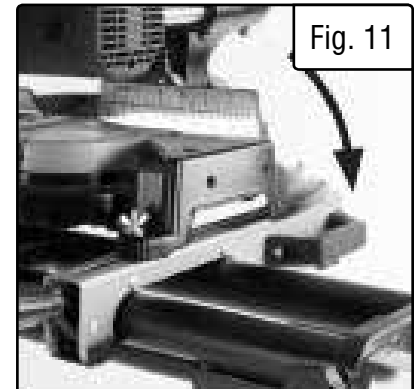
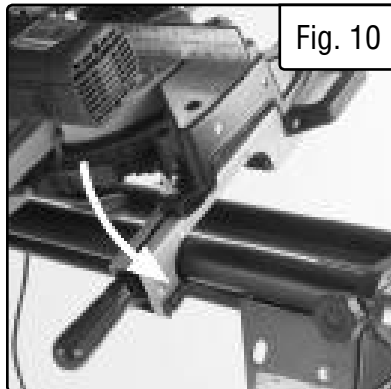
1. Remove and safely store the four plastic feet from underneath the base of the miter saw (Fig. 7). If the miter saw has a stability block underneath the positive stop locking lever, remove and safely store it as well.



2. Remove the mounting brackets from the stand. Place the miter saw onto the saw mounting brackets, making sure the front of the machine faces the locking handles.

3. Attach the miter saw to the mounting brackets using four sets of the following combination from your mounting hardware:

1. M6 Washers (Small) or M6 Washers (Large)
2. M6 Spring Washers
3. M6 Hex Nuts, or M6 Wing Nuts
4. M6 Carriage Bolts (Short) or M6 Carriage Bolts (Long), depending on the thickness of your miter saw's base.



4. Finger tighten nuts and make sure the miter saw is securely mounted onto the mounting brackets (Fig. 8).

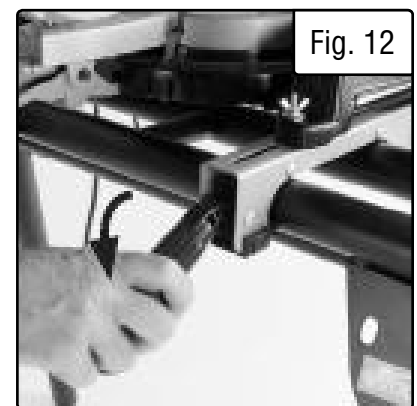
Note: Only tighten lock nuts and screws to be finger tight at this stage, in case adjustments are needed after attaching the miter saw.

5. Hook the front of the brackets over the front of the miter stand's main frame (Fig. 9).

6. Push the back of the brackets down to engage them onto the back frame (Fig. 10).

7. Lock brackets into place by gently pressing down the locking handles (Fig. 11).

8. To ensure the stability of the miter saw stand and the mounted machine during cutting operations, adjust the position of the miter saw so the fence of the miter saw is aligned with the center of the rear crossbar of the stand.



9. When the miter saw is correctly positioned on the stand, securely tighten the four mounting nuts.

OPERATION

MOUNTING UNUSUAL MITER SAWS

If your miter saw is strange or unusual in terms of either its mounting holes or its social skills, don't be alarmed. Every miter saw is special in its own unique way. If you have one of these special miter saws, an adaptor plate may be necessary. The adaptor should be a square or rectangular worktop (such as a piece of plywood) that fits the footprint and mounting hole configuration of your miter saw. We recommend using a piece of plywood at least one inch thick.

1. Bolt the adaptor plate securely to the two saw mounting brackets.
2. Attach the adaptor plate onto the miter saw stand using the saw mounting brackets and lock it in place.
3. Position the miter saw above the adaptor plate. Ensure that the bulk and weight of the miter saw is centrally located over the two crossbars. The saw fence should align as closely as possible with the center line of the miter saw stand's rear crossbar. Bolt the miter saw securely to the adaptor plate with appropriate screws and fixings.
4. Check the stability of the machine and installation before operation.

NOTE: Consult the manufacturer of the saw for any special adjustments, requirements or fixings needed to permanently mount your saw to a worktop. Take precaution over a full range of operating conditions. Don't be judgmental towards your saw for being different than the other saws on the market. You will hurt its feelings.

MAINTENANCE

1. Before each use, inspect the general condition of the miter saw stand and power tool. Check for:
 - Loose hardware,
 - Misalignment or binding of moving parts,
 - Damaged cord/electrical wiring,
 - Cracked or broken parts, and
 - Any other condition that may affect its safe operation.
2. After every use, wipe the external surfaces with a clean cloth. Do not let water enter the power outlet or electrical system on the miter saw stand.
3. Store the tool indoors in a safe, dry area away from children. Inspect the tool for good working condition prior to storage and before re-use.

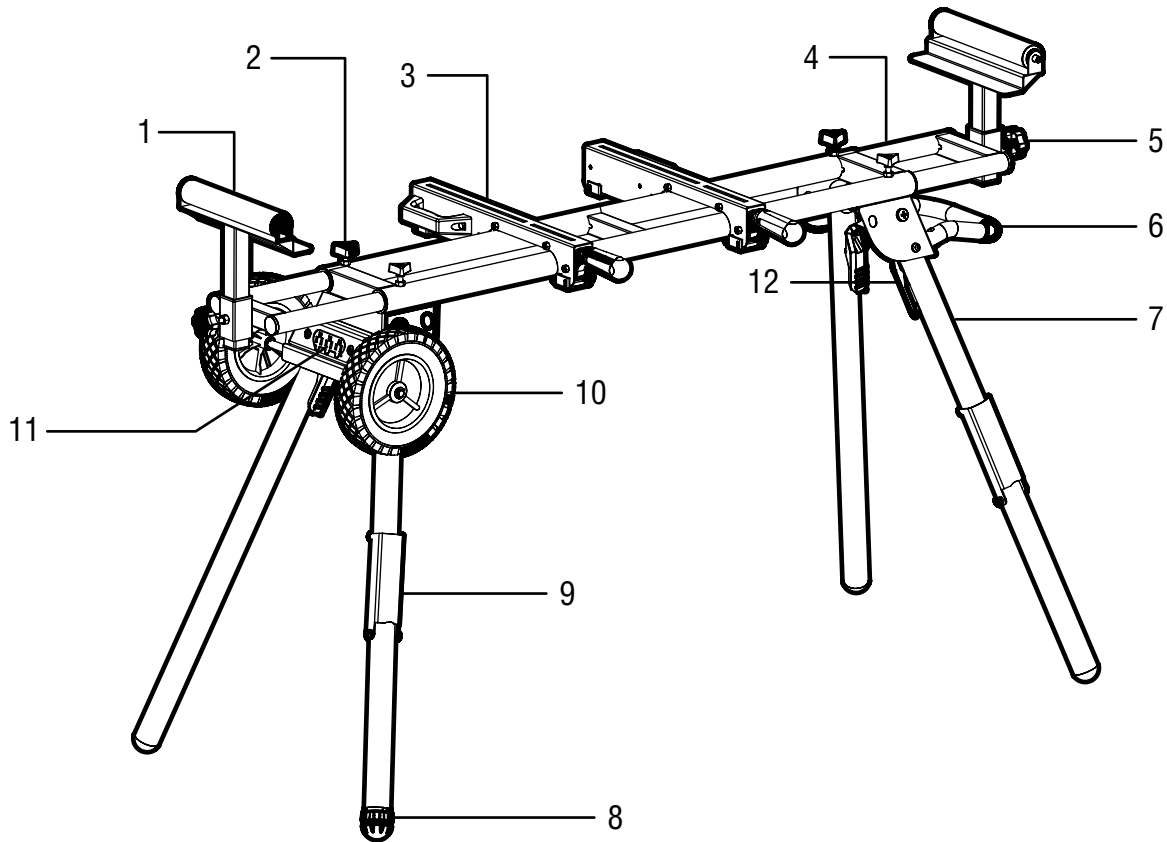
PRODUCT DISPOSAL

The tool, accessories and packaging should be sorted for recycling instead of disposed of with household waste. Please take them to your local recycling facility for responsible disposal and to minimize the environmental impact.



Please recycle the packaging and electronic components where facilities exist. Please contact your local auto garage or recycling facility to properly dispose of oil/fuel.

EXPLODED VIEW & PARTS LIST



No.	Part Number	Description	Qty.
1	MSA330-001	Work Support Roller	2
2	MSA330-002	Extension Arm Lock Knob	4
3	MSA330-003	Mounting Bracket Assembly	2
4	MSA330-004	Extension Arm	2
5	MSA330-005	Roller Lock Knob	2
6	MSA330-106	Large Handle	1
7	MSA330-007	Regular Leg	3
8	MSA330-008	Leg with Adjustment Nut	1
9	MSA330-009	Stock Holder	2
10	MSA330-010	Wheel	2
11	MSA330-011	Power Outlet	1
12	MSA330-012	Leg Adjustment Lever	4

WARRANTY STATEMENT

WEN Products is committed to building tools that are dependable for years. Our warranties are consistent with this commitment and our dedication to quality.

LIMITED WARRANTY OF WEN PRODUCTS FOR HOME USE

GREAT LAKES TECHNOLOGIES, LLC (“Seller”) warrants to the original purchaser only, that all WEN consumer power tools will be free from defects in material or workmanship during personal use for a period of two (2) years from date of purchase or 500 hours of use; whichever comes first. Ninety days for all WEN products if the tool is used for professional or commercial use. Purchaser has 30 days from the date of purchase to report missing or damaged parts.

SELLER’S SOLE OBLIGATION AND YOUR EXCLUSIVE REMEDY under this Limited Warranty and, to the extent permitted by law, any warranty or condition implied by law, shall be the replacement of parts, without charge, which are defective in material or workmanship and which have not been subjected to misuse, alteration, careless handling, misrepair, abuse, neglect, normal wear and tear, improper maintenance, or other conditions adversely affecting the Product or the component of the Product, whether by accident or intentionally, by persons other than Seller. To make a claim under this Limited Warranty, you must make sure to keep a copy of your proof of purchase that clearly defines the Date of Purchase (month and year) and the Place of Purchase. Place of Purchase must be a direct vendor of Great Lakes Technologies, LLC. Purchasing through third party vendors, including but not limited to garage sales, pawn shops, resale shops, or any other secondhand merchant, voids the warranty included with this product. Contact techsupport@wenproducts.com or 1-800-232-1195 with the following information to make arrangements: your shipping address, phone number, serial number, required part numbers, and proof of purchase. Damaged or defective parts and products may need to be sent to WEN before the replacements can be shipped out.

Upon the confirmation of a WEN representative, your product may qualify for repairs and service work. When returning a product for warranty service, the shipping charges must be prepaid by the purchaser. The product must be shipped in its original container (or an equivalent), properly packed to withstand the hazards of shipment. The product must be fully insured with a copy of the proof of purchase enclosed. There must also be a description of the problem in order to help our repairs department diagnose and fix the issue. Repairs will be made and the product will be returned and shipped back to the purchaser at no charge for addresses within the contiguous United States.

THIS LIMITED WARRANTY DOES NOT APPLY TO ITEMS THAT WEAR OUT FROM REGULAR USAGE OVER TIME, INCLUDING BELTS, BRUSHES, BLADES, BATTERIES, ETC. ANY IMPLIED WARRANTIES SHALL BE LIMITED IN DURATION TO TWO (2) YEARS FROM DATE OF PURCHASE. SOME STATES IN THE U.S. AND SOME CANADIAN PROVINCES DO NOT ALLOW LIMITATIONS ON HOW LONG AN IMPLIED WARRANTY LASTS, SO THE ABOVE LIMITATION MAY NOT APPLY TO YOU.

IN NO EVENT SHALL SELLER BE LIABLE FOR ANY INCIDENTAL OR CONSEQUENTIAL DAMAGES (INCLUDING BUT NOT LIMITED TO LIABILITY FOR LOSS OF PROFITS) ARISING FROM THE SALE OR USE OF THIS PRODUCT. SOME STATES IN THE U.S. AND SOME CANADIAN PROVINCES DO NOT ALLOW THE EXCLUSION OR LIMITATION OF INCIDENTAL OR CONSEQUENTIAL DAMAGES, SO THE ABOVE LIMITATION OR EXCLUSION MAY NOT APPLY TO YOU.

THIS LIMITED WARRANTY GIVES YOU SPECIFIC LEGAL RIGHTS, AND YOU MAY ALSO HAVE OTHER RIGHTS WHICH VARY FROM STATE TO STATE IN THE U.S., PROVINCE TO PROVINCE IN CANADA AND FROM COUNTRY TO COUNTRY.

THIS LIMITED WARRANTY APPLIES ONLY TO ITEMS SOLD WITHIN THE UNITED STATES OF AMERICA, CANADA AND THE COMMONWEALTH OF PUERTO RICO. FOR WARRANTY COVERAGE WITHIN OTHER COUNTRIES, CONTACT THE WEN CUSTOMER SUPPORT LINE. FOR WARRANTY PARTS OR PRODUCTS REPAIRED UNDER WARRANTY SHIPPING TO ADDRESSES OUTSIDE OF THE CONTIGUOUS UNITED STATES, ADDITIONAL SHIPPING CHARGES MAY APPLY.

**THANKS FOR
REMEMBERING**  [®]