



# SAW HORSE



For replacement parts visit  
**WENPRODUCTS.COM**

**Model # MSA15**  
bit.ly/wenvideo


## IMPORTANT:

Your new tool has been engineered and manufactured to WEN's highest standards for dependability, ease of operation, and operator safety. When properly cared for, this product will supply you years of rugged, trouble-free performance. Pay close attention to the rules for safe operation, warnings, and cautions. If you use your tool properly and for its intended purpose, you will enjoy years of safe, reliable service.



## NEED HELP? CONTACT US!

Have product questions? Need technical support?  
Please feel free to contact us at:

 **800-232-1195** (M-F 8AM-5PM CST)

 **techsupport@wenproducts.com**

 **WENPRODUCTS.COM**

**NOTICE: Please refer to wenproducts.com for the most up-to-date instruction manual.**

## TABLE OF CONTENTS

---

Product Specifications .....	2
Important Safety Rules .....	3
Assembly .....	4
Adjustments .....	5
Operation .....	5
Maintenance .....	6
Warranty Statement .....	7

## PRODUCT SPECIFICATIONS

---

Model Number:	MSA15
Maximum Loading Capacity:	1500 lbs, evenly distributed
Adjustable Height:	25-1/4 to 40-1/8 inch (5 height levels)
Operation Platform Dimensions:	38.2 x 4.1 inch
Product Dimensions:	39 x 26-1/2 x 25-1/4 inch (minimum) 39 x 26-1/2 x 40-1/8 inch (maximum)
Product Net Weight:	19 lbs

# IMPORTANT SAFETY RULES

---

Safety is a combination of common sense, staying alert and knowing how your item works.

## **SAVE THESE SAFETY INSTRUCTIONS.**



**WARNING:** To avoid mistakes and serious injury, read and understand this entire instruction manual. Learn the tool's applications, limitations, and possible hazards. These safety rules cannot address every possible scenario you may encounter, so please use common sense and caution when using the tool.

### **WORK AREA SAFETY**

1. Keep your work area clean, uncluttered, and well lit. Cluttered areas invite injuries and accidents. Keep the ground clear of tripping hazards. Do not work on floor surfaces that are slippery with sawdust or wax.
2. Observe work area conditions. Keep bystanders at a safe distance from the work area. Never allow children or pets near the tool.

### **PERSONAL SAFETY**

1. Wear ANSI Z87.1-approved safety goggles and work gloves. Do not wear loose clothing, neckties, or jewelry and tie back long hair. Wear additional safety gear as required by local, state and federal regulations.
2. Stay alert - watch what you're doing and use common sense when using the tool. Do not use while you are tired or under the influence of drugs, alcohol or medication that may affect your ability to properly use the tool. Even a moment of inattention may result in serious personal injury.
3. Do not overreach. Keep proper footing and balance at all times.

### **SAW HORSE USE & CARE**

1. Use the right tool for the job. Do not modify or use the saw horse to do a job for which it was not designed. Unauthorized modification may damage the tool and/or cause personal injuries.
2. Always check for damaged or worn out parts before using the saw horse. Check for alignment of moving parts, jamming, breakage, improper mounting, or any other conditions that may affect the tool's operation. Any part that is damaged should be properly repaired or replaced before use.
3. For maximum stability, always use the saw horse on a hard, flat and level surface.
4. Never stand or sit on the saw horse. Do not try to ride this horse.
5. Do not exceed the 1500 lbs loading capacity of the tool. Be aware of dynamic loading, as sudden movement may briefly create excess load, causing product to fail.
6. Secure the workpiece with clamps or a vise instead of your hand whenever possible.
7. Be careful when raising or lowering the saw horse. Keep fingers and hands clear to avoid getting them trapped.
8. Maintain tools properly. Always keep tools clean and in good working order. Store the saw horse in a dry, secure place out of the reach of children. Inspect the tool for good working condition prior to storage and before re-use.

# ASSEMBLY



**WARNING:** Read and understand all instructions. Failure to follow all instructions may result in serious injury or property damage. If you have any questions or concerns, please contact our customer service at (800) 232-1195, M-F 8-5 CST

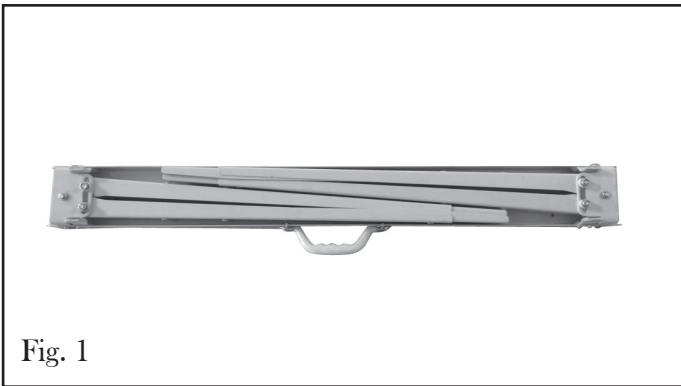


Fig. 1

1. Lay the saw horse upside down on a flat, dry and level surface.

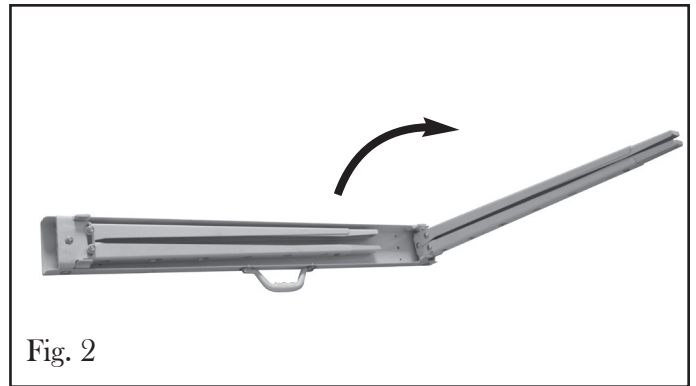


Fig. 2

2. Swing open all four legs.

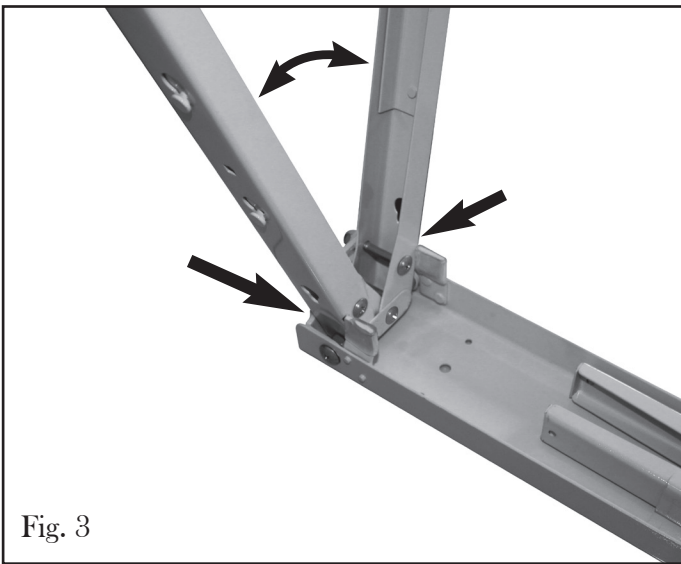


Fig. 3

3. Open the saw horse legs as far apart as possible. This will allow for maximum stability.



Fig. 4

4. With four legs fully opened, flip the saw horse to stand on its legs. Check that it is stable on the ground.

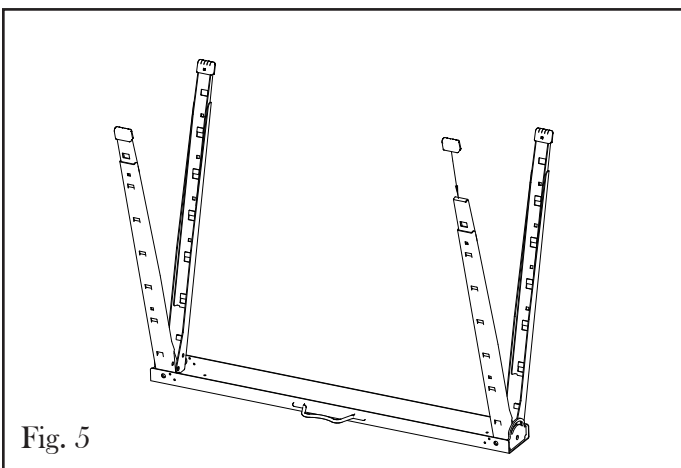


Fig. 5

5. You may attach the four rubber feet onto the end of the legs to increase stability and prevent the legs from scratching the floor.

## ADJUSTMENTS

---

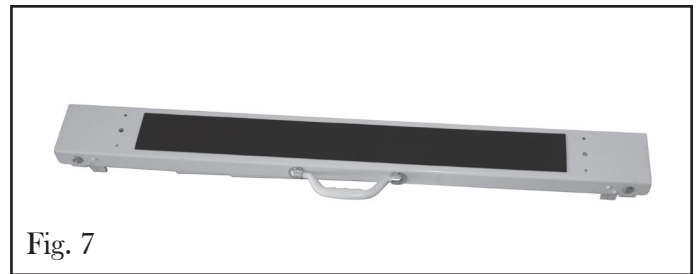


**WARNING:** Be very careful not to get your fingers pinched or trapped when raising or lowering the stand, or closing the legs.

### HEIGHT ADJUSTMENT

Each leg consists of a stationary upper leg and an adjustable lower leg. The height is set by the flanges on the stationary leg mating with the holes in the adjustable leg, secured by a bolt and wing nut. To adjust the height of the saw horse:

1. Remove the wing nut and screw on one of the legs. Keep hold of the wing nut as you loosen it so it doesn't drop and escape.
2. Pull down on the adjustable leg to release the flanges from the holes. Carefully position the adjustable leg to the desired height and then slide the adjustable leg up against the stationary leg to engage the flanges.
3. Reinstall the bolt and wing nut (the bolt on the outside and wing nut on the inside). Tighten the wing nut to secure the height.
4. Repeat to adjust all four legs. Make sure that all four legs are set to the same height.



### COMPACT CONFIGURATION

To store or transport the saw horse, adjust all the legs to the second lowest height. Then, close all four legs into the compact configuration. Use the handle to carry the saw horse.

## OPERATION

---

**Before using the saw horse, make sure the following safety requirements have been met:**

- The legs are fully opened and all fasteners are tightened.
- The saw horse is stable and balanced on a hard, level surface.
- The maximum capacity is 1500 lbs. Do not overload the saw horse.
- Check for damaged or worn out parts, misalignment or binding of moving parts, and any other condition that may affect its safe operation before using the saw horse. Broken parts will affect the operation of the saw horse. Replace or repair damaged or worn parts immediately.

# MAINTENANCE

---

## CLEANING AND STORAGE

After each use, clean the external surfaces with a clean cloth. Store the tool indoors in a safe, dry area away from children. Give it plenty of carrots to chew on while you're away. Inspect the saw horse for good working condition prior to storage and before re-use.

## PRODUCT DISPOSAL

The tool, accessories and packaging should be sorted for recycling instead of disposed of with household waste. Please take them to your local recycling facility for responsible disposal and to minimize the environmental impact.

## PARTS LIST

---



No.	Part No.	Description	Qty.
1	MSA15-001	Bench Top	1
2	MSA15-002	Hinge Fastener Set	6
3	MSA15-003	Stationary Leg	4
4	MSA15-004	Adjustable Leg	4
5	MSA15-005	Rubber Feet (Not Shown)	4
6	MSA15-006	Bolt & Wing Nut Set	4
7	MSA15-007	Handle	1
8	MSA15-008	Flange Rubber Sleeve	4
9	MSA15-009	Rubber Feet (not shown)	4

## **LIMITED TWO YEAR WARRANTY**

---

WEN Products is committed to build tools that are dependable for years. Our warranties are consistent with this commitment and our dedication to quality.

### **LIMITED WARRANTY OF WEN CONSUMER POWER TOOLS PRODUCTS FOR HOME USE**

GREAT LAKES TECHNOLOGIES, LLC (“Seller”) warrants to the original purchaser only, that all WEN consumer power tools will be free from defects in material or workmanship for a period of two (2) years from date of purchase. Ninety days for all WEN products, if the tool is used for professional use.

**SELLER’S SOLE OBLIGATION AND YOUR EXCLUSIVE REMEDY** under this Limited Warranty and, to the extent permitted by law, any warranty or condition implied by law, shall be the repair or replacement of parts, without charge, which are defective in material or workmanship and which have not been misused, carelessly handled, or misrepaired by persons other than Seller or Authorized Service Center. To make a claim under this Limited Warranty, you must make sure to keep a copy of your proof of purchase that clearly defines the Date of Purchase (month and year) and the Place of Purchase. Place of purchase must be a direct vendor of Great Lakes Technologies, LLC. Third party vendors such as garage sales, pawn shops, resale shops, or any other secondhand merchant void the warranty included with this product. Contact [techsupport@wenproducts.com](mailto:techsupport@wenproducts.com) or 1-800-232-1195 to make arrangements for repairs and transportation.

When returning a product for warranty service, the shipping charges must be prepaid by the purchaser. The product must be shipped in its original container (or an equivalent), properly packed to withstand the hazards of shipment. The product must be fully insured with a copy of the warranty card and/or the proof of purchase enclosed. There must also be a description of the problem in order to help our repairs department diagnose and fix the issue. Repairs will be made and the product will be returned and shipped back to the purchaser at no charge.

**THIS LIMITED WARRANTY DOES NOT APPLY TO ACCESSORY ITEMS THAT WEAR OUT FROM REGULAR USAGE OVER TIME INCLUDING BELTS, BRUSHES, BLADES, ETC.**

**ANY IMPLIED WARRANTIES SHALL BE LIMITED IN DURATION TO ONE (1) YEAR FROM DATE OF PURCHASE. SOME STATES IN THE U.S., SOME CANADIAN PROVINCES DO NOT ALLOW LIMITATIONS ON HOW LONG AN IMPLIED WARRANTY LASTS, SO THE ABOVE LIMITATION MAY NOT APPLY TO YOU.**

**IN NO EVENT SHALL SELLER BE LIABLE FOR ANY INCIDENTAL OR CONSEQUENTIAL DAMAGES (INCLUDING BUT NOT LIMITED TO LIABILITY FOR LOSS OF PROFITS) ARISING FROM THE SALE OR USE OF THIS PRODUCT. SOME STATES IN THE U.S. AND SOME CANADIAN PROVINCES DO NOT ALLOW THE EXCLUSION OR LIMITATION OF INCIDENTAL OR CONSEQUENTIAL DAMAGES, SO THE ABOVE LIMITATION OR EXCLUSION MAY NOT APPLY TO YOU.**

**THIS LIMITED WARRANTY GIVES YOU SPECIFIC LEGAL RIGHTS, AND YOU MAY ALSO HAVE OTHER RIGHTS WHICH VARY FROM STATE TO STATE IN THE U.S., PROVINCE TO PROVINCE IN CANADA AND FROM COUNTRY TO COUNTRY.**

**THIS LIMITED WARRANTY APPLIES ONLY TO PORTABLE ELECTRIC TOOLS, BENCH POWER TOOLS, OUTDOOR POWER EQUIPMENT AND PNEUMATIC TOOLS SOLD WITHIN THE UNITED STATES OF AMERICA, CANADA AND THE COMMONWEALTH OF PUERTO RICO. FOR WARRANTY COVERAGE WITHIN OTHER COUNTRIES, CONTACT THE WEN CUSTOMER SUPPORT LINE.**

**THANKS FOR  
REMEMBERING**

