



**MODEL HG112V**

# ***VARIABLE TEMPERATURE HEAT GUN***

**Instruction Manual**



## ***NEED HELP? CONTACT US!***

Have product questions? Need technical support? Please feel free to contact us:



**1-847-429-9263 (M-F 8AM-5PM CST)**



**TECHSUPPORT@WENPRODUCTS.COM**

**IMPORTANT:** Your new tool has been engineered and manufactured to WEN's highest standards for dependability, ease of operation, and operator safety. When properly cared for, this product will supply you years of rugged, trouble-free performance. Pay close attention to the rules for safe operation, warnings, and cautions. If you use your tool properly and for its intended purpose, you will enjoy years of safe, reliable service.

For replacement parts and the most up-to-date instruction manuals, visit ***WENPRODUCTS.COM***


# **CONTENTS**

<b>WELCOME</b>	<b>3</b>
Introduction .....	3
Specifications.....	3
<b>SAFETY</b>	<b>4</b>
General Safety Rules .....	4
Heat Gun Safety Warnings .....	6
Electrical Information .....	7
<b>BEFORE OPERATING</b>	<b>8</b>
Know Your Heat Gun .....	8
<b>OPERATION &amp; MAINTENANCE</b>	<b>9</b>
Operation .....	9
Maintenance.....	11
Troubleshooting Guide .....	12
Exploded View & Parts List .....	13
Warranty Statement .....	15

To purchase replacement parts for your tool, visit ***WENPRODUCTS.COM***

## INTRODUCTION

Thanks for purchasing the WEN Heat Gun. We know you are excited to put your tool to work, but first, please take a moment to read through the manual. Safe operation of this tool requires that you read and understand this operator's manual and all the labels affixed to the tool. This manual provides information regarding potential safety concerns, as well as helpful assembly and operating instructions for your tool.

 Indicates danger, warning, or caution. The safety symbols and the explanations with them deserve your careful attention and understanding. Always follow the safety precautions to reduce the risk of fire, electric shock or personal injury. However, please note that these instructions and warnings are not substitutes for proper accident prevention measures.

**NOTE:** The following safety information is not meant to cover all possible conditions and situations that may occur. WEN reserves the right to change this product and specifications at any time without prior notice.

At WEN, we are continuously improving our products. If you find that your tool does not exactly match this manual, please visit [wenproducts.com](http://wenproducts.com) for the most up-to-date manual or contact our customer service at **1-847-429-9263**.

**Keep this manual available to all users during the entire life of the tool and review it frequently to maximize safety for both yourself and others.**

## SPECIFICATIONS

Model Number	HG112V			
Motor	120V, 60 Hz			
Temperature, Air Flow, Amperage	Low Speed	122 - 842°F	79 GPM	6.25A
	High Speed	194 - 1112°F	132 GPM	12.5A
Weight	1.30 lbs.			
Assembled Dimensions	10 in. x 8 in. x 3.5 in.			

# GENERAL SAFETY RULES

 **WARNING!** Read all safety warnings and all instructions. Failure to follow the warnings and instructions may result in electric shock, fire and/or serious injury.

Safety is a combination of common sense, staying alert and knowing how your item works. The term “power tool” in the warnings refers to your mains-operated (corded) power tool or battery-operated (cordless) power tool.

## SAVE THESE SAFETY INSTRUCTIONS.

### WORK AREA SAFETY

- 1. Keep work area clean and well lit.** Cluttered or dark areas invite accidents.
- 2. Do not operate power tools in explosive atmospheres, such as in the presence of flammable liquids, gases or dust.** Power tools create sparks which may ignite the dust or fumes.
- 3. Keep children and bystanders away while operating a power tool.** Distractions can cause you to lose control.

### ELECTRICAL SAFETY

- 1. Power tool plugs must match the outlet. Never modify the plug in any way. Do not use any adapter plugs with earthed (grounded) power tools.** Unmodified plugs and matching outlets will reduce risk of electric shock.
- 2. Avoid body contact with earthed or grounded surfaces such as pipes, radiators, ranges and refrigerators.** There is an increased risk of electric shock if your body is earthed or grounded.
- 3. Do not expose power tools to rain or wet conditions.** Water entering a power tool will increase the risk of electric shock.
- 4. Do not abuse the cord. Never use the cord for carrying, pulling or unplugging the power tool. Keep cord away from heat, oil, sharp edges or moving parts.** Damaged or entangled cords increase the risk of electric shock.
- 5. When operating a power tool outdoors, use an extension cord suitable for outdoor use.** Use of a cord suitable for outdoor use reduces the risk of electric shock.

**6. If operating a power tool in a damp location is unavoidable, use a ground fault circuit interrupter (GFCI) protected supply.** Use of a GFCI reduces the risk of electric shock.

### PERSONAL SAFETY

- 1. Stay alert, watch what you are doing and use common sense when operating a power tool. Do not use a power tool while you are tired or under the influence of drugs, alcohol or medication.** A moment of inattention while operating power tools may result in serious personal injury.
- 2. Use personal protective equipment. Always wear eye protection.** Protective equipment such as a respiratory mask, non-skid safety shoes and hearing protection used for appropriate conditions will reduce the risk of personal injury.
- 3. Prevent unintentional starting. Ensure the switch is in the off-position before connecting to power source and/or battery pack, picking up or carrying the tool.** Carrying power tools with your finger on the switch or energizing power tools that have the switch on invites accidents.
- 4. Remove any adjusting key or wrench before turning the power tool on.** A wrench or a key left attached to a rotating part of the power tool may result in personal injury.
- 5. Do not overreach. Keep proper footing and balance at all times.** This enables better control of the power tool in unexpected situations.
- 6. Dress properly. Do not wear loose clothing or jewelry. Keep your hair and clothing away from moving parts.** Loose clothes, jewelry or long hair can be caught in moving parts.

# GENERAL SAFETY RULES

 **WARNING!** Read all safety warnings and all instructions. Failure to follow the warnings and instructions may result in electric shock, fire and/or serious injury.

Safety is a combination of common sense, staying alert and knowing how your item works. The term “power tool” in the warnings refers to your mains-operated (corded) power tool or battery-operated (cordless) power tool.

## SAVE THESE SAFETY INSTRUCTIONS.

**7. If devices are provided for the connection of dust extraction and collection facilities, ensure these are connected and properly used.** Use of dust collection can reduce dust-related hazards.

### POWER TOOL USE AND CARE

**1. Do not force the power tool. Use the correct power tool for your application.** The correct power tool will do the job better and safer at the rate for which it was designed.

**2. Do not use the power tool if the switch does not turn it on and off.** Any power tool that cannot be controlled with the switch is dangerous and must be repaired.

**3. Disconnect the plug from the power source and/or the battery pack from the power tool before making any adjustments, changing accessories, or storing power tools.** Such preventive safety measures reduce the risk of starting the power tool accidentally.

**4. Store idle power tools out of the reach of children and do not allow persons unfamiliar with the power tool or these instructions to operate the power tool.** Power tools are dangerous in the hands of untrained users.

**5. Maintain power tools. Check for misalignment or binding of moving parts, breakage of parts and any other condition that may affect the power tool's operation. If damaged, have the power tool repaired before use.** Many accidents are caused by poorly maintained power tools.

**6. Keep cutting tools sharp and clean.** Properly maintained cutting tools with sharp cutting edges are less likely to bind and are easier to control.

**7. Use the power tool, accessories and tool bits, etc. in accordance with these instructions, taking into account the working conditions and the work to be performed.** Use of the power tool for operations different from those intended could result in a hazardous situation.

**8. Use clamps to secure your workpiece to a stable surface.** Holding a workpiece by hand or using your body to support it may lead to loss of control.

**9. KEEP GUARDS IN PLACE** and in working order.

### SERVICE

**1. Have your power tool serviced by a qualified repair person using only identical replacement parts.** This will ensure that the safety of the power tool is maintained.


### CALIFORNIA PROPOSITION 65 WARNING

Some dust created by power sanding, sawing, grinding, drilling, and other construction activities may contain chemicals, including lead, known to the State of California to cause cancer, birth defects, or other reproductive harm. Wash hands after handling. Some examples of these chemicals are:

- Lead from lead-based paints.
- Crystalline silica from bricks, cement, and other masonry products.
- Arsenic and chromium from chemically treated lumber.

Your risk from these exposures varies depending on how often you do this type of work. To reduce your exposure to these chemicals, work in a well-ventilated area with approved safety equipment such as dust masks specially designed to filter out microscopic particles.

# HEAT GUN SAFETY WARNINGS

 **WARNING!** Do not operate the power tool until you have read and understood the following instructions and the warning labels.

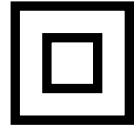
## HEAT GUN SAFETY

- 1. DO NOT TOUCH** the end of the heat gun during or directly after operation. Let the gun cool down fully before touching the tip or any nozzles.
- 2. NEVER** use this tool as a hair dryer.
- 3. DO NOT USE A HEAT GUN** near combustible or flammable materials.
- 4. TURN HEAT GUN OFF** and give it a moment to cool down before setting it down on any surface.
- 5. ALWAYS** maintain a minimum distance of one centimeter (1/2 inch) between the nozzle and work surface. Do not press the gun against any surfaces.
- 6. UNPLUG** the heat gun when not in use.
- 7. NEVER** direct the air flow of the heat gun towards yourself, anyone else, or any animals.
- 8. DO NOT LOOK** into the hot air nozzle during or directly after operation.
- 9. NEVER BLOCK** the inlet grill (slits on the side of the gun) or obstruct the air flow of the unit while the gun is on.
- 10. DO NOT STORE** the tool away until it has fully cooled down.
- 11. DO NOT HOLD** a work piece in front of the heat gun without forceps or clamps, as this will risk putting your hand in the pathway of the heat flow.
- 12. DO NOT INSERT** anything in the end of the heat gun.
- 13. LET THE GUN COOL DOWN** before changing accessories.
- 14. ONLY USE THIS HEAT GUN** for its intended purposes.
- 15. DO NOT DROP** or use this tool to hit other objects. Do not insert sharp objects into the air inlet grill or pierce/jab internal parts.

# ELECTRICAL INFORMATION

## DOUBLE-INSULATED TOOLS

The tool's electrical system is double-insulated where two systems of insulation are provided. This eliminates the need for the usual three-wire grounded power cord. Double-insulated tools do not need to be grounded, nor should a means for grounding be added to the product. All exposed metal parts are isolated from the internal metal motor components with protecting insulation.



**IMPORTANT:** Servicing a double-insulated product requires extreme care and knowledge of the system, and should be done only by qualified service personnel using identical replacement parts. Always use original factory replacement parts when servicing.

**1. Polarized Plugs.** To reduce the risk of electric shock, this equipment has a polarized plug (one blade is wider than the other). This plug will fit in a polarized outlet only one way. If the plug does not fit fully in the outlet, reverse the plug. If it still does not fit, contact a qualified electrician to install a proper outlet. Do not modify the machine plug or the extension cord in any way.

**2. Ground fault circuit interrupter protection (GFCI)** should be provided on the circuit or outlet used for this power tool to reduce the risk of electric shock.

**3. Service and repair.** To avoid danger, electrical appliances must only be repaired by a qualified service technician using original replacement parts.

## GUIDELINES AND RECOMMENDATIONS FOR EXTENSION CORDS

When using an extension cord, be sure to use one heavy enough to carry the current your product will draw. An undersized cord will cause a drop in line voltage, resulting in loss of power and overheating. The table below shows the correct size to be used according to cord length and ampere rating. When in doubt, use a heavier cord. The smaller the gauge number, the heavier the cord.

AMPERAGE	REQUIRED GAUGE FOR EXTENSION CORDS			
	25 ft.	50 ft.	100 ft.	150 ft.
6.25A	18 gauge	16 gauge	14 gauge	12 gauge
12.5A	14 gauge	12 gauge	Not Recommended	

**1. Examine extension cord before use.** Make sure your extension cord is properly wired and in good condition. Always replace a damaged extension cord or have it repaired by a qualified person before using it.

**2. Do not abuse extension cord.** Do not pull on cord to disconnect from receptacle; always disconnect by pulling on plug. Disconnect the extension cord from the receptacle before disconnecting the product from the extension cord. Protect your extension cords from sharp objects, excessive heat and damp/wet areas.

**3. Use a separate electrical circuit for your tool.** This circuit must not be less than a 12-gauge wire and should be protected with a 15A time-delayed fuse. Before connecting the motor to the power line, make sure the switch is in the OFF position and the electric current is rated the same as the current stamped on the motor nameplate. Running at a lower voltage will damage the motor.

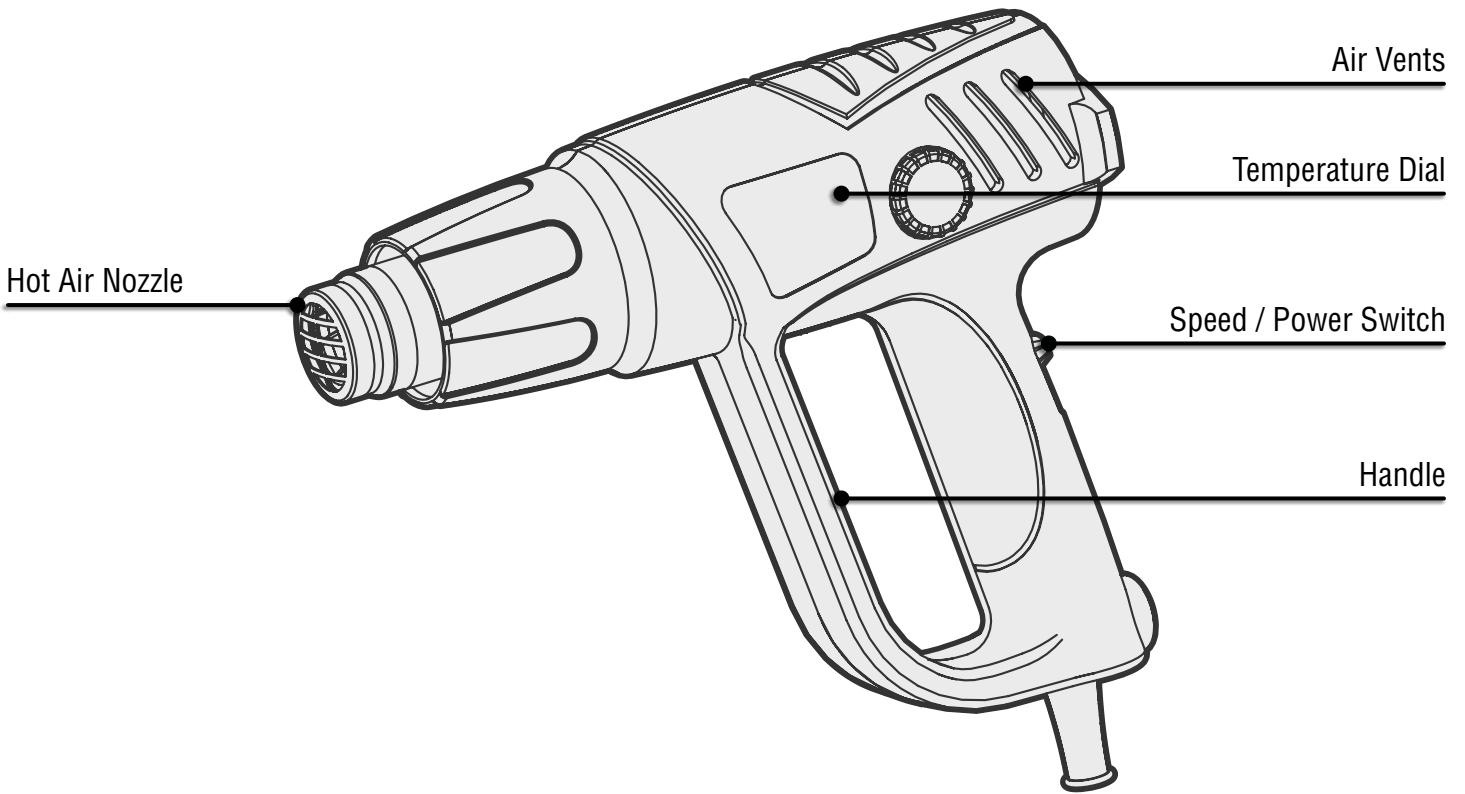
# KNOW YOUR HEAT GUN

## UNPACKING

Carefully remove the heat gun from the packaging and place it on a sturdy, flat surface. Make sure to take out all contents and accessories. Do not discard the packaging until everything is removed. Check the packing list below to make sure you have all of the parts and accessories. If any part is missing or broken, please contact customer service at **1-847-429-9263** (M-F 8-5 CST), or email [techsupport@wenproducts.com](mailto:techsupport@wenproducts.com).

## TOOL PURPOSE

Remove adhesives, mold plastics, or strip paint with your WEN Heat Gun. Refer to the following diagrams to become familiarized with all the parts and controls of your heat gun. The components will be referred to later in the manual for assembly and operation instructions.



**⚠ WARNING!** DO NOT use the heat gun near gasoline, automotive fluids, tires, gaskets, upholstery, hoses, etc. to prevent damage or fires. This tool can cause materials to soften, melt, and start on fire.

**⚠ WARNING!** DO NOT overheat flammable materials such as wood, insulation, wiring jackets, plastic, etc.

**⚠ WARNING!** DO NOT thaw pipes that are inside walls, floors, ceilings or other enclosures such as insulation. Only thaw pipes that are fully exposed. DO NOT thaw PVC piping.

**⚠ WARNING!** Wear a respiratory mask to prevent inhaling toxic or dangerous fumes. Wear safety goggles to shield your eyes from heat and debris. Wear heat-resistant gloves to protect your hands from burns. Never wear loose clothing. Always tie your hair back.



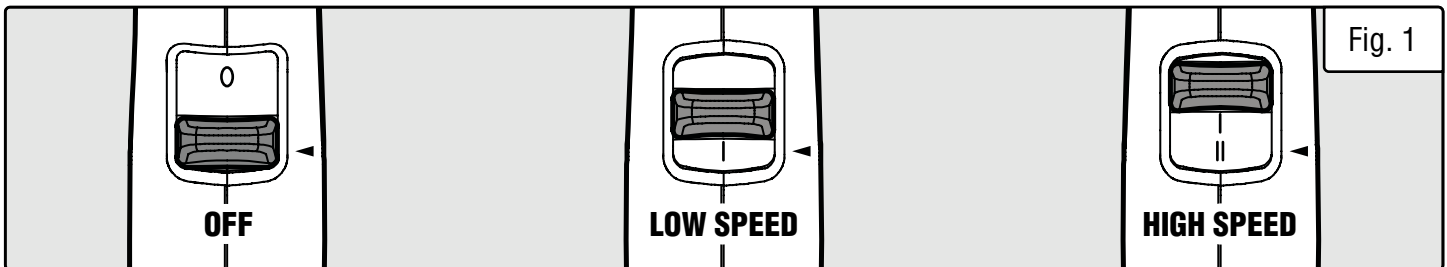
# OPERATION

## SPEED AND TEMPERATURE

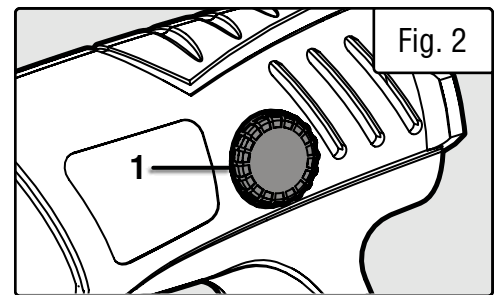
Your heat gun is equipped with a 2 speed power switch, as well as a temperature dial. Follow the directions below to adjust the speed and temperature of your heat gun.

1. Toggle the switch to the lower position (so you can see the "0" at the top) to turn the device OFF and plug the heat gun into an AC 120V 60 Hz receptacle.
2. Toggle the switch to select the desired fan speed (See Fig. 1):  
To select **low speed**, toggle the switch to the center position so the arrow is pointing to the "I."  
To select **high speed**, toggle the switch to the upper position so the arrow is pointing to the "II."

**NOTE:** Allow 90 seconds for the heat gun to reach the desired temperature



3. Rotate temperature dial to adjust the temperature output (see Fig. 2):  
To **lower the temperature**, rotate the dial clockwise.  
To **raise the temperature**, rotate the dial counterclockwise.



4. To turn the heat gun off, toggle the switch to the upper position (so you can see the "0" at the top).
5. Unplug the heat gun after use. Allow the heat gun to cool down, and then safely store the heat gun.

**NOTE:** It is best to start on the low setting and test it on a small section of your workpiece, or a piece of similar scrap material, and proceed to a higher setting if necessary. You may need to hold the heat gun further away from your workpiece when using the higher setting. The low setting is a good starting place to avoid overheating or damage to the workpiece.

**NOTE:** When new, the heat gun may generate smoke which will decrease with use. This is normal and does not indicate a problem.

**⚠ WARNING!** Keep hands away from the immediate nozzle area. Always wear gloves and eye protection.

## OPERATION

### REMOVING PAINT

1. Toggle the switch to the low setting and allow the heat gun to warm up. It will take approximately 90 seconds for the tool to reach its full heat potential. Always test on a non-critical portion or a scrap piece of similar material.
2. Aim the hot air nozzle towards the painted surface, leaving about 3 to 4 inches of space between the nozzle and the surface.
3. Move the heat gun slowly and evenly from side to side to evenly distribute the heat.

**⚠ WARNING!** Do not hold the heat gun over one spot; be sure to move the tool from side to side to evenly distribute the heat. Keep your hands away from the nozzle while scraping the paint. If your hand gets too close to the nozzle, you may get burnt. Wear heat-resistant gloves to prevent burns.

4. When the paint begins to soften and blister, you can begin scraping the paint off using a paint scraper with smooth, even strokes. If you wait too long to scrape the paint, it will cool and re-harden. Clean your scraper often, as a dirty scraper will not allow you to remove paint cleanly. Test the high setting if this method does not work.

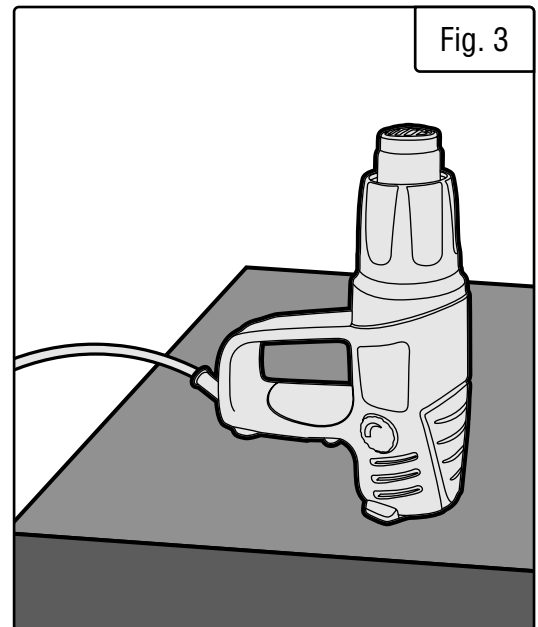
**⚠ WARNING!** Excessive heat may crack glass. DO NOT concentrate heat towards any type of glass surface.

### NOTE:

- It is best to use a smooth, downward scraping motion to prevent as much damage to the surface as possible.
- Some paints will become tougher to strip with prolonged heating. Be sure to try different heating times to develop the best method of paint removal for your specific job.
- This tool is designed to remove oil and latex based paints.
- This tool will NOT remove stains or primers that are applied to wood.
- Protect surfaces that you do not want to remove paint from. For example, if you are stripping the paint from a door, use a non-flammable material to shield the door frame to prevent stripping the paint from it.

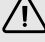
### BACK REST

Your heat gun has a flat surface on the end to serve as a back rest. Rest your heat gun on its back to cool off before storage. See Fig. 3.



## **MAINTENANCE**

 **WARNING!** To avoid accidents, turn OFF and unplug the tool from the electrical outlet before cleaning, adjusting, or performing any maintenance work.

 **WARNING!** Any attempt to repair or replace electrical parts on this tool may be hazardous. Servicing of the tool must be performed by a qualified technician. When servicing, use only identical WEN replacement parts. Use of other parts may be hazardous or induce product failure.

### **ROUTINE INSPECTION**


Before each use, inspect the general condition of the tool. If any of these following conditions exist, do not use until parts are replaced or the sharpener is properly repaired.

#### **Check for:**

- Loose hardware,
- Damaged cord/electrical wiring,
- Cracked or broken parts, and
- Any other condition that may affect its safe operation

### **CLEANING & STORAGE**

1. Keep the ventilation openings free from dust and debris to prevent the motor from overheating.
2. Wipe the tool surfaces clean with a damp cloth and mild soap. Make sure water does not get into the tool.

 **CAUTION!** Most plastics are susceptible to damage from various types of commercial solvents. Do not use any solvents or cleaning products that could damage the plastic parts. Some of these include but are not limited to: gasoline, carbon tetrachloride, chlorinated cleaning solvents, and household detergents that contain ammonia.

3. Allow the tool to cool before storing it. Store the tool in a clean and dry place away from the reach of children.

### **PRODUCT DISPOSAL**

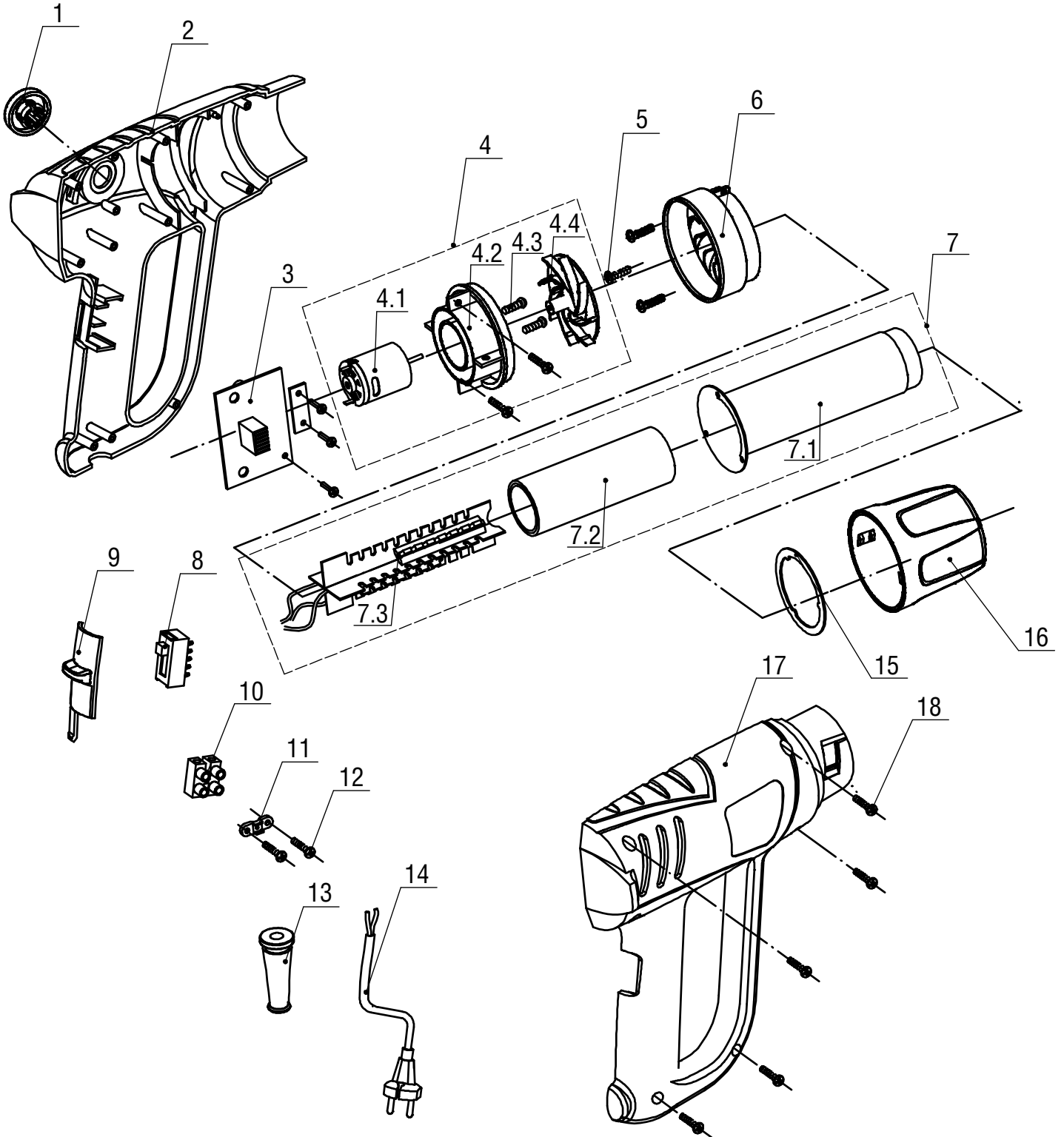
Used power tools should not be disposed of together with household waste. This product contains electronic components that should be recycled. Please take this product to your local recycling facility for responsible disposal and to minimize its environmental impact.

## **TROUBLESHOOTING GUIDE**

 **WARNING!** Stop using the tool immediately if any of the following problems occur. Repairs and replacements should only be performed by an authorized technician. For any questions, please contact our customer service at 1-847-429-9263, M-F 8-5 CST or email us at [techsupport@wenproducts.com](mailto:techsupport@wenproducts.com).

<b>Problem</b>	<b>Possible Cause</b>	<b>Solution</b>
<b>Motor does not start.</b>	Power cord is damaged or not properly plugged in.	Check the power cord, extension cord, power plug, and the power outlet. Make sure the outlet is functional. Do not use the tool if any cord is damaged.
	Defective speed / power switch.	Stop using the tool and contact customer service at 1-847-429-9263, M-F 8-5 CST for assistance.
	Defective Motor.	Stop using the tool and contact customer service at 1-847-429-9263, M-F 8-5 CST for assistance.

# EXPLODED VIEW & PARTS LIST



## ***EXPLODED VIEW & PARTS LIST***

<b>No.</b>	<b>Part No.</b>	<b>Description</b>	<b>Qty.</b>
1	HG112V-001	Housing	1
2	HG112V-002	Left Housing	1
3	HG112V-003	PCB	1
4	HG112V-004	Motor Assembly	1
4.1	HG112V-004.1	Motor	1
4.2	HG112V-004.2	Motor Support	1
4.3	HG112V-004.3	Screw	2
4.4	HG112V-004.4	Fan	1
5	HG112V-005	Screw	3
6	HG112V-006	Fan Cover	1
7	HG112V-007	Heating Element Assembly	1
7.1	HG112V-007.1	Heat Cover	1
7.2	HG112V-007.2	Mica Sheet	2
7.3	HG112V-007.3	Heating Element	1
8	HG112V-008	Switch	1
9	HG112V-009	Switch Cover	1
10	HG112V-010	Terminal Block	1
11	HG112V-011	Power Cord Clamp	1
12	HG112V-012	Screw	2
13	HG112V-013	Power Cord Strain Relief	1
14	HG112V-014	Power Cord	1
15	HG112V-015	Support Ring	1
16	HG112V-016	Front Cover	1
17	HG112V-017	Right Housing	1
18	HG112V-018	Screw	6

# **WARRANTY STATEMENT**

WEN Products is committed to building tools that are dependable for years. Our warranties are consistent with this commitment and our dedication to quality.

## **LIMITED WARRANTY OF WEN PRODUCTS FOR HOME USE**

GREAT LAKES TECHNOLOGIES, LLC (“Seller”) warrants to the original purchaser only, that all WEN consumer power tools will be free from defects in material or workmanship during personal use for a period of two (2) years from date of purchase or 500 hours of use; whichever comes first. Ninety days for all WEN products if the tool is used for professional or commercial use. Purchaser has 30 days from the date of purchase to report missing or damaged parts.

SELLER’S SOLE OBLIGATION AND YOUR EXCLUSIVE REMEDY under this Limited Warranty and, to the extent permitted by law, any warranty or condition implied by law, shall be the replacement of parts, without charge, which are defective in material or workmanship and which have not been subjected to misuse, alteration, careless handling, misrepair, abuse, neglect, normal wear and tear, improper maintenance, or other conditions adversely affecting the Product or the component of the Product, whether by accident or intentionally, by persons other than Seller. To make a claim under this Limited Warranty, you must make sure to keep a copy of your proof of purchase that clearly defines the Date of Purchase (month and year) and the Place of Purchase. Place of Purchase must be a direct vendor of Great Lakes Technologies, LLC. Purchasing through third party vendors, including but not limited to garage sales, pawn shops, resale shops, or any other secondhand merchant, voids the warranty included with this product. Contact [techsupport@wenproducts.com](mailto:techsupport@wenproducts.com) or 1-847-429-9263 with the following information to make arrangements: your shipping address, phone number, serial number, required part numbers, and proof of purchase. Damaged or defective parts and products may need to be sent to WEN before the replacements can be shipped out.

Upon the confirmation of a WEN representative, your product may qualify for repairs and service work. When returning a product for warranty service, the shipping charges must be prepaid by the purchaser. The product must be shipped in its original container (or an equivalent), properly packed to withstand the hazards of shipment. The product must be fully insured with a copy of the proof of purchase enclosed. There must also be a description of the problem in order to help our repairs department diagnose and fix the issue. Repairs will be made and the product will be returned and shipped back to the purchaser at no charge for addresses within the contiguous United States.

THIS LIMITED WARRANTY DOES NOT APPLY TO ITEMS THAT WEAR OUT FROM REGULAR USAGE OVER TIME, INCLUDING BELTS, BRUSHES, BLADES, BATTERIES, ETC. ANY IMPLIED WARRANTIES SHALL BE LIMITED IN DURATION TO TWO (2) YEARS FROM DATE OF PURCHASE. SOME STATES IN THE U.S. AND SOME CANADIAN PROVINCES DO NOT ALLOW LIMITATIONS ON HOW LONG AN IMPLIED WARRANTY LASTS, SO THE ABOVE LIMITATION MAY NOT APPLY TO YOU.

IN NO EVENT SHALL SELLER BE LIABLE FOR ANY INCIDENTAL OR CONSEQUENTIAL DAMAGES (INCLUDING BUT NOT LIMITED TO LIABILITY FOR LOSS OF PROFITS) ARISING FROM THE SALE OR USE OF THIS PRODUCT. SOME STATES IN THE U.S. AND SOME CANADIAN PROVINCES DO NOT ALLOW THE EXCLUSION OR LIMITATION OF INCIDENTAL OR CONSEQUENTIAL DAMAGES, SO THE ABOVE LIMITATION OR EXCLUSION MAY NOT APPLY TO YOU.

THIS LIMITED WARRANTY GIVES YOU SPECIFIC LEGAL RIGHTS, AND YOU MAY ALSO HAVE OTHER RIGHTS WHICH VARY FROM STATE TO STATE IN THE U.S., PROVINCE TO PROVINCE IN CANADA AND FROM COUNTRY TO COUNTRY.

THIS LIMITED WARRANTY APPLIES ONLY TO ITEMS SOLD WITHIN THE UNITED STATES OF AMERICA, CANADA AND THE COMMONWEALTH OF PUERTO RICO. FOR WARRANTY COVERAGE WITHIN OTHER COUNTRIES, CONTACT THE WEN CUSTOMER SUPPORT LINE. FOR WARRANTY PARTS OR PRODUCTS REPAIRED UNDER WARRANTY SHIPPING TO ADDRESSES OUTSIDE OF THE CONTIGUOUS UNITED STATES, ADDITIONAL SHIPPING CHARGES MAY APPLY.

**THANKS FOR  
REMEMBERING**

