



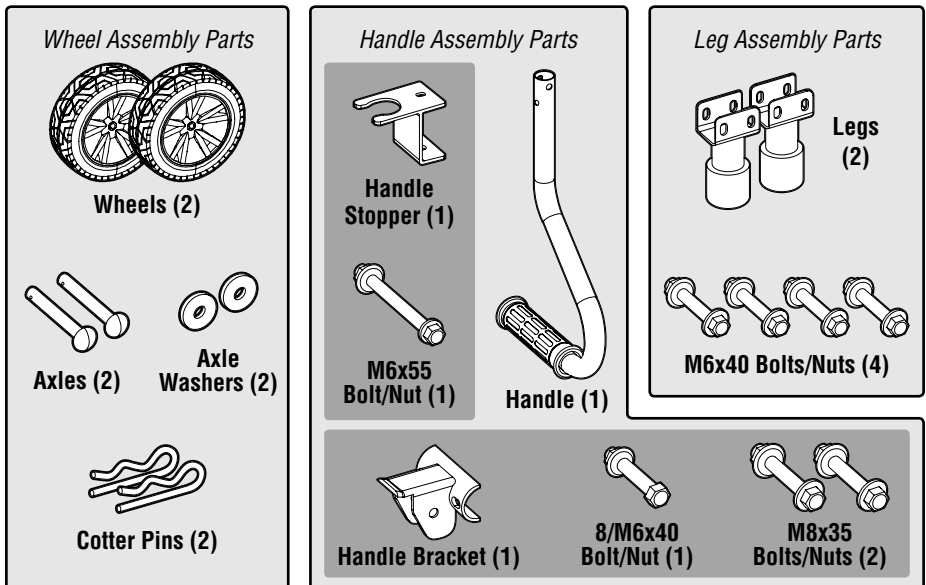
WHEEL AND HANDLE KIT

Compatible with WEN Generator Model GN4500

v.2019.07.03

PACKING LIST

Make sure to take out all contents and accessories. Do not discard the packaging until everything is removed. Check the packing list below to make sure you have all of the parts and accessories. If any part is missing or broken, please contact customer service at **1-800-232-1195** (M-F 8-5 CST), or email techsupport@wenproducts.com.



NOTE: You will need a wrench to tighten the nuts onto the bolts.

⚠ WARNING! Do not turn on the generator until it is fully assembled according to the instructions. Read through and become familiarized with the following procedures of handling and adjusting your tool. Failure to follow the safety instructions may result in serious personal injury.

⚠ WARNING! Never use the handle as a lifting point to support the entire weight of the generator. Only use the handle to pull the generator with the help of the wheels.

⚠ WARNING! Use caution when collapsing the handle. Hands and fingers could get caught and pinched.

Flip page for assembly instructions.

ASSEMBLY INSTRUCTIONS

ASSEMBLY

Refer to the packing list on the back of this page to gather the proper parts and tools for installing the legs, wheels, and handles. **NOTE:** There are different sizes of bolts/nuts, be sure to use the proper bolts/nuts for each assembly step.

INSTALLING THE LEGS (FIG. 1)

The legs are installed on the side of the generator with the engine and air filter.

1. Prepare a set of blocks on level ground (a 4×4 block of wood works well). Place the generator on the blocks. Have someone help you lift the generator.
2. Slide one leg into place on the generator frame and align the holes on the leg with the holes on the frame.
3. Slide the M6 bolts through the legs and generator frame. Tighten the nuts onto the bolts using a wrench (not included).
4. Repeat on the opposite side.

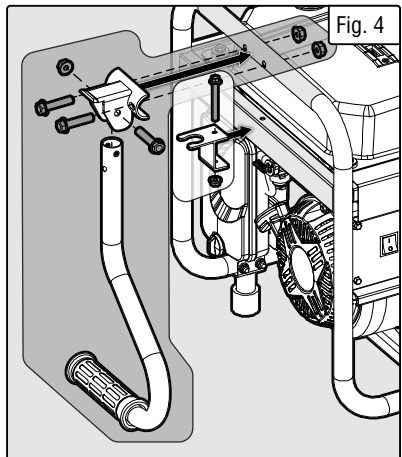
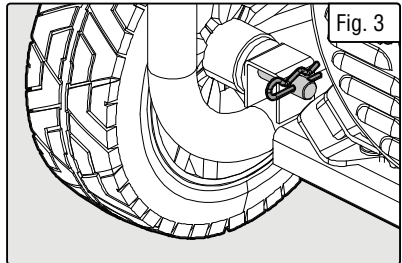
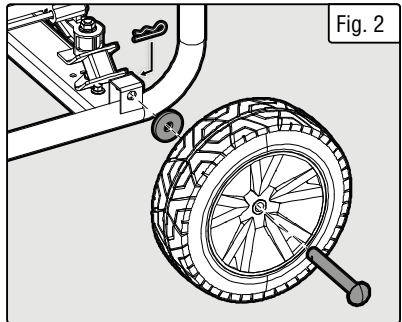
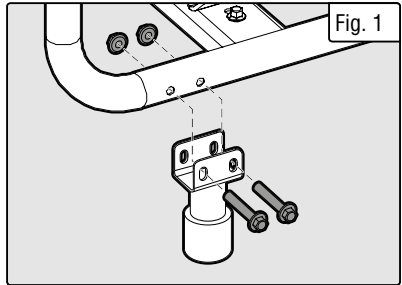
INSTALLING THE WHEELS

1. Insert the axle through the wheel, washer and generator frame (in that order). See Fig. 2.
2. Slide the cotter pin through the opening in the axle to lock it into place. See Fig. 3.
3. Repeat on the opposite side.

INSTALLING THE HANDLE (FIG. 4)

1. Install the handle bracket on the top of the generator frame. Secure it with two M8x35 bolts and two nuts.
2. Use the 8/M6x40 bolt and nut to secure the handle to the handle bracket.
3. Install the handle stopper on the rectangular part of the generator frame. Use the M6x55 bolt and a nut to secure it into place.

NOTE: Refer to your generator's instruction manual before using the generator.



HAVE PRODUCT QUESTIONS? NEED TECHNICAL SUPPORT? Please feel free to contact us:



1-800-232-1195 (M-F 8AM-5PM CST)



TECHSUPPORT@WENPRODUCTS.COM