

# WARRANTY

WEN Products is committed to building tools that are dependable for years. Our warranties are consistent with this commitment and our dedication to quality.

## TWO YEAR WARRANTY OF WEN PRODUCTS FOR HOME USE

GREAT LAKES TECHNOLOGIES, LLC ("Seller") warrants to the original purchaser only, that all WEN consumer power tools will be free from defects in material or workmanship during personal use for a period of two (2) years from date of purchase or 500 hours of use; whichever comes first. Ninety days for all WEN products if the tool is used for professional or commercial use. Purchaser has 30 days from the date of purchase to report missing or damaged parts.

SELLER'S SOLE OBLIGATION AND YOUR EXCLUSIVE REMEDY under this Limited Warranty and, to the extent permitted by law, any warranty or condition implied by law, shall be the replacement of parts, without charge, which are defective in material or workmanship and which have not been subjected to misuse, alteration, careless handling, misrepair, abuse, neglect, normal wear and tear, improper maintenance, or other conditions adversely affecting the Product or the component of the Product, whether by accident or intentionally, by persons other than Seller. To make a claim under this Limited Warranty, you must make sure to keep a copy of your proof of purchase that clearly defines the Date of Purchase (month and year) and the Place of Purchase. Place of Purchase must be a direct vendor of Great Lakes Technologies, LLC. Purchasing through third party vendors, including but not limited to garage sales, pawn shops, resale shops, or any other secondhand merchant, voids the warranty included with this product. Contact [techsupport@wenproducts.com](mailto:techsupport@wenproducts.com) or 1-800-232-1195 with the following information to make arrangements: your shipping address, phone number, serial number, required part numbers, and proof of purchase. Damaged or defective parts and products may need to be sent to WEN before the replacements can be shipped out.

Upon the confirmation of a WEN representative, your product may qualify for repairs and service work. When returning a product for warranty service, the shipping charges must be prepaid by the purchaser. The product must be shipped in its original container (or an equivalent), properly packed to withstand the hazards of shipment. The product must be fully insured with a copy of the proof of purchase enclosed. There must also be a description of the problem in order to help our repairs department diagnose and fix the issue. Repairs will be made and the product will be returned and shipped back to the purchaser at no charge for addresses within the contiguous United States.

THIS LIMITED WARRANTY DOES NOT APPLY TO ITEMS THAT WEAR OUT FROM REGULAR USAGE OVER TIME, INCLUDING BELTS, BRUSHES, BLADES, BATTERIES, ETC. ANY IMPLIED WARRANTIES SHALL BE LIMITED IN DURATION TO TWO (2) YEARS FROM DATE OF PURCHASE. SOME STATES IN THE U.S. AND SOME CANADIAN PROVINCES DO NOT ALLOW LIMITATIONS ON HOW LONG AN IMPLIED WARRANTY LASTS, SO THE ABOVE LIMITATION MAY NOT APPLY TO YOU.

IN NO EVENT SHALL SELLER BE LIABLE FOR ANY INCIDENTAL OR CONSEQUENTIAL DAMAGES (INCLUDING BUT NOT LIMITED TO LIABILITY FOR LOSS OF PROFITS) ARISING FROM THE SALE OR USE OF THIS PRODUCT. SOME STATES IN THE U.S. AND SOME CANADIAN PROVINCES DO NOT ALLOW THE EXCLUSION OR LIMITATION OF INCIDENTAL OR CONSEQUENTIAL DAMAGES, SO THE ABOVE LIMITATION OR EXCLUSION MAY NOT APPLY TO YOU.

THIS LIMITED WARRANTY GIVES YOU SPECIFIC LEGAL RIGHTS, AND YOU MAY ALSO HAVE OTHER RIGHTS WHICH VARY FROM STATE TO STATE IN THE U.S., PROVINCE TO PROVINCE IN CANADA AND FROM COUNTRY TO COUNTRY.

THIS LIMITED WARRANTY APPLIES ONLY TO ITEMS SOLD WITHIN THE UNITED STATES OF AMERICA, CANADA AND THE COMMONWEALTH OF PUERTO RICO. FOR WARRANTY COVERAGE WITHIN OTHER COUNTRIES, CONTACT THE WEN CUSTOMER SUPPORT LINE. FOR WARRANTY PARTS OR PRODUCTS REPAIRED UNDER WARRANTY SHIPPING TO ADDRESSES OUTSIDE OF THE CONTIGUOUS UNITED STATES, ADDITIONAL SHIPPING CHARGES MAY APPLY.

V. 2019.12.09

# INSTRUCTION MANUAL



MODEL GNA36i

## 30-AMP 3600W PARALLEL CONNECTION KIT

### SPECIFICATIONS

Model Number	GNA36i
Max Wattage	3600W
Max Amperage	30A
Max Voltage	120V
Cord Reach	5.5 ft.

### SAFETY INSTRUCTIONS

**⚠ WARNING!** Read all safety warnings and all instructions. Failure to follow the warnings and instructions may result in electric shock, fire and/or serious injury. Do not plug in your parallel connection kit or electrical device until the following steps have been read and understood.

#### SAVE THESE SAFETY INSTRUCTIONS.

- 1. DO NOT operate in rain, wet or damp conditions, or with wet hands.** The operator may suffer severe electric shock if the generator is wet.
- 2. If at any point the parallel connection kit becomes wet, wipe and dry the kit well before operation.** Do not pour water on the parallel connection kit or use water to clean the kit.
- 3. Pay attention to extension cords and all wiring attached to the parallel kit.** If any wires are under the generator or in contact with a vibrating part, it may break, causing a generator burnout and electric shock hazard. Properly replace damaged cords immediately.
- 4. Follow all necessary electrical grounding procedures for the parallel kit, connected generators, and related equipment.** The parallel kit is designed to be grounded to provide a path of least resistance for the electric current, reducing the risk of electric shock in the event of a failure or breakdown. Failure to correctly ground equipment can cause serious injury or death.
- 5. DO NOT connect or disconnect parallel kit wires while the generator is running.** Only turn on generators once the parallel kit wires have been properly connected.

# INSTRUCTION MANUAL

## OPERATION

### CONNECTING TWO INVERTER GENERATORS

1. Place your parallel kit on a dry surface, such as dry ground or the top of your generator.

2. The parallel kit has two sets of wires. Securely connect each set of wires to each generator's control panel. See Fig. 1.

- Insert the **red** plug into the **red** parallel connection port and the **black** plug into the **black** port of each generator. If the wires are not connected correctly, the generators will not output any power.

- Attach the **green** wire with metal ring to each generator's **grounding nut**. **NOTE:** Failure to properly ground the generator or parallel kit can increase your risk of electric shock.

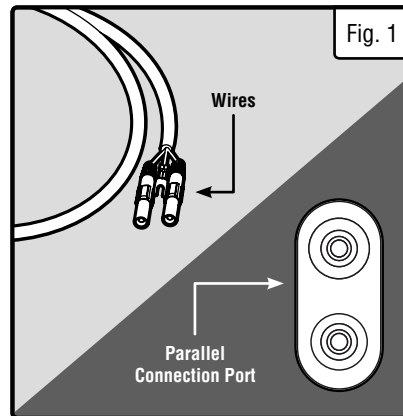
3. Once all the wires are correctly connected, start the inverter generators one at a time, according to the instructions included with your generator. The generator that has been started first will be the primary generator.

4. Allow the generators to run for several minutes to stabilize speed and output before plugging in your electrical device(s).

**⚠ WARNING!** Only use the parallel kit when plugged into two generators. Never use parallel kit when plugged into generator on only one end.

**⚠ WARNING!** If the parallel kit is placed on the ground, be careful not to accidentally trample the wires.

**⚠ WARNING!** Make sure both generators are OFF and all electronic devices are unplugged from the generator and parallel connection kit before plugging in your kit to the generators.



**NOTE:** The total rated power of your parallel kit is 3600W (30A). Do not overload the receptacles.

## STORAGE

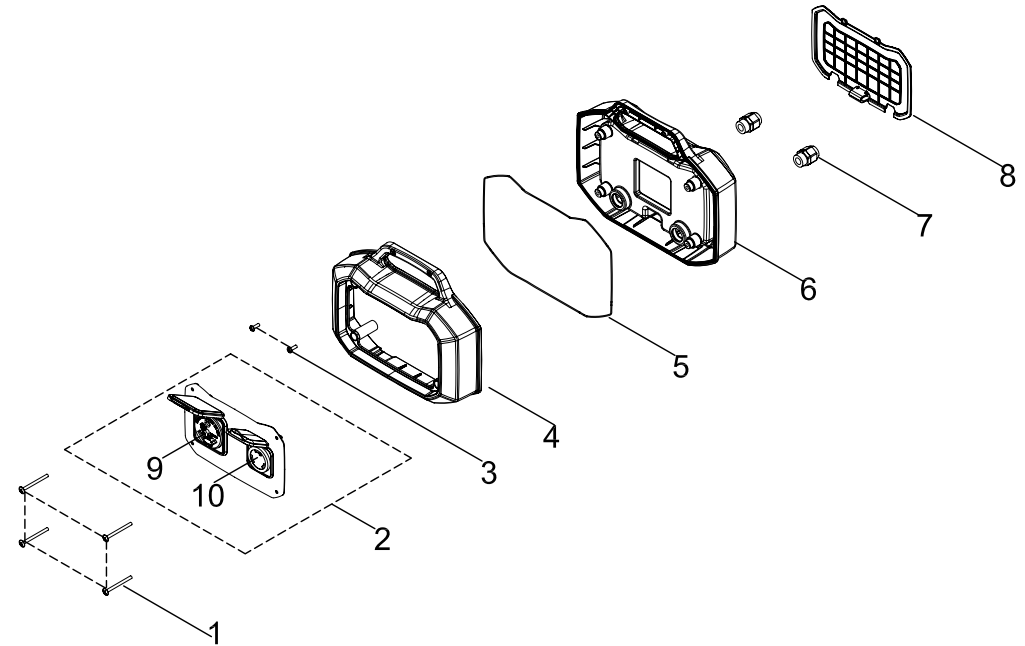
When the parallel kit is not in use, disconnect the kit from the inverters. Bind the cords around the parallel kit body. Place the parallel kit back into its packaging for storage. Store in a well-ventilated, dry area.

If the parallel kit is to be left with the inverter, bind the cords together so as to prevent trampling of the plugs and cords.

## DISPOSAL

When the product reaches the end of its lifetime, please do not dispose of parts with your household waste. This product contains components that should be recycled. **Please take this product to your local recycling facility for responsible disposal to minimize its environmental impact.**

# INSTRUCTION MANUAL



NO.	PART NO.	DESCRIPTION	QTY.
1	GNA36i-001	Bolt, M4x50	4
2	GNA36i-002	Parallel Kit Panel Assembly with Cable	1
3	GNA36i-003	Self-tapping Screw, ST4.2x10	2
4	GNA36i-004	Front Outer Shell	1
5	GNA36i-005	Waterproof Strips	1
6	GNA36i-006	Back Outer Shell	1
7	GNA36i-007	Cable Stress Relief	2
8	GNA36i-008	Back Cover Plate	1
9	GNA36i-009	TT-30R Socket	1
10	GNA36i-010	L5-30R Socket	1

**HAVE PRODUCT QUESTIONS? NEED TECHNICAL SUPPORT?** Please feel free to contact us:  
 1-800-232-1195 (M-F 8AM-5PM CST) | [TECHSUPPORT@WENPRODUCTS.COM](mailto:TECHSUPPORT@WENPRODUCTS.COM)

Replacement parts and the most up-to-date instruction manuals can be found on [wenproducts.com](http://wenproducts.com).