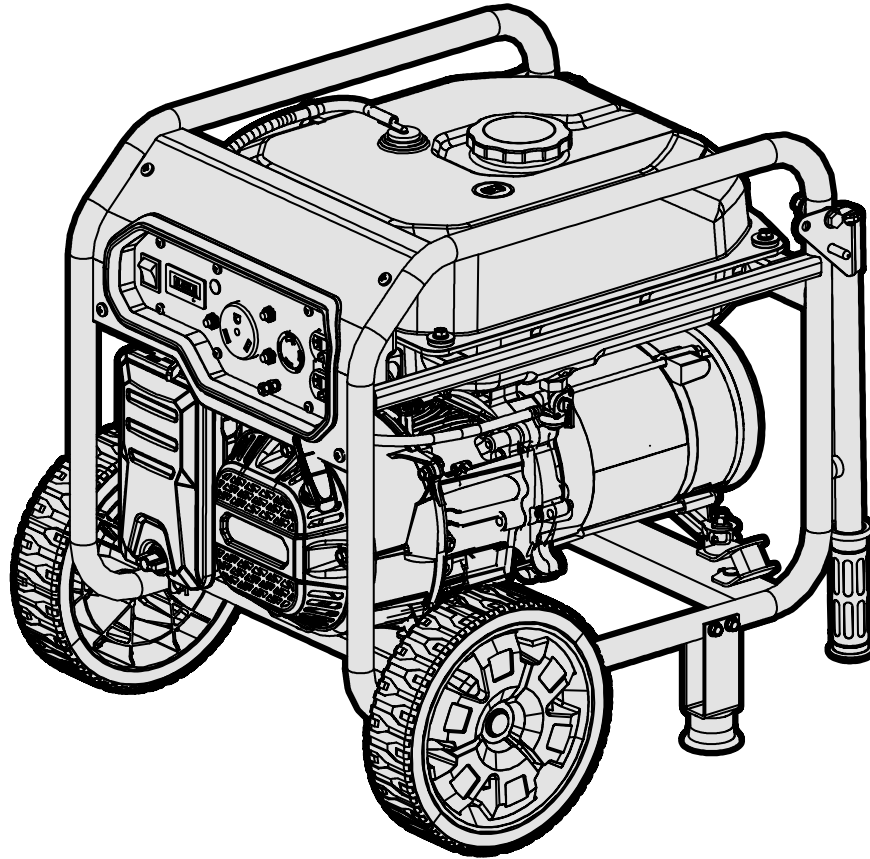




MODEL GN5600

5600-WATT PORTABLE GENERATOR

Instruction Manual



NEED HELP? CONTACT US!

Have product questions? Need technical support? Please feel free to contact us:

 **1-847-429-9263 (M-F 8AM-5PM CST)** |  **TECHSUPPORT@WENPRODUCTS.COM**

IMPORTANT: Your new tool has been engineered and manufactured to WEN's highest standards for dependability, ease of operation, and operator safety. When properly cared for, this product will supply you years of rugged, trouble-free performance. Pay close attention to the rules for safe operation, warnings, and cautions. If you use your tool properly and for its intended purpose, you will enjoy years of safe, reliable service.

For replacement parts and the most up-to-date instruction manuals, visit ***WENPRODUCTS.COM***

CONTENTS

WELCOME	3
Specifications.....	3
Introduction	4
SAFETY	5
Safety Information	5
Generator Safety Warnings	6
BEFORE OPERATING	9
Unpacking & Packing List.....	9
Know Your Generator.....	10
Assembly & Adjustments.....	12
Generator Preparation.....	13
OPERATION & MAINTENANCE	17
Starting Your Generator	17
Using Your Generator.....	29
Shutting Off Your Generator.....	23
Maintenance.....	24
Transportation & Storage.....	31
Troubleshooting Guide.....	32
Wiring Diagram.....	33
Exploded View & Parts List.....	34
Warranty Statement	40

To purchase accessories for your tool, visit ***WENPRODUCTS.COM***

Magnetic Oil Dipstick (Model 55201)

Weatherproof Generator Cover, Medium (Model 56406)

High-Altitude Kit (Part GN5600-HA36 and GN5600-HA68)

SPECIFICATIONS

GENERATOR

Rated Wattage	4500 Watts
Surge Wattage	5600 Watts
Rated Voltage	120V AC
Rated Amperage	37.5A
Phase	Single
Frequency	60 Hz
Product Dimensions	With Wheel & Handle Kit: 22.8 in. x 23.6 in. x 23.0 in.
	Without Wheel & Handle Kit: 22.4 in. x 16.9 in. x 18.7 in.
Product Weight	With Wheel & Handle Kit: 103.6 Pounds
	Without Wheel & Handle Kit: 95.9 Pounds

ENGINE

Engine Type	4-Stroke, OHV, Single Cylinder with Forced Air Cooling System
Engine Displacement	224cc
Fuel Tank Capacity	4.36 Gallons (16.50 L), 87 Octane Minimum
Oil Capacity	20 fl. oz. (0.60 L)
Half-Load Run Time	12.5 Hours
Lubrication System	Splash Lubrication
Spark Plug Type	Torch F7TC (NGK BP7ES)
Spark Plug Gap	0.028 in. - 0.031 in. (0.7mm - 0.8mm)
Spark Plug Torque	20 - 22 ft-lbs (27 - 30 Nm)

INTRODUCTION

Thanks for purchasing the WEN 5600-Watt Portable Generator. Refer to the illustration below for the location of the serial number on the specifications label. Record the generator information in the spaces provided below. If assistance for information or service is required, please contact customer service by calling **1-847-429-9263**, M-F 8-5 CST; you will be asked to provide the following generator information when calling.

Generator Model Number: GN5600


Date of Purchase: _____

Purchased From: _____

Serial Number: _____

CAUTION!

**HIGH TEMPERATURE,
DO NOT TOUCH!**



5600W PORTABLE GENERATOR **MODEL GN5600**

RATED WATTAGE	4500W	SURGE WATTAGE	5600W
RATED FREQUENCY	60 Hz	SPARK PLUG TYPE	F7RTC (NGK BPR7ES)
RATED VOLTAGE	120V	SPARK PLUG GAP	0.7mm - 0.8mm
SERIAL NO.	●		
ENGINE SERIAL NO.	●		

1-847-429-9263 **WENPRODUCTS.COM**

Great Lakes Technologies LLC • 1101 Wesemann Drive • West Dundee, IL 60118

TYPE 1
MADE IN
VIETNAM
GÉNÉRATEUR
PORTATIF

Serial Number


SERVICE RECORD

Record the service dates of your generator in the chart below. Please perform maintenance checks and operations according to the "Maintenance" section of the manual.

Service Record	Date	Date	Date	Date	Date	Date
Change Oil						
Change Spark Plug						
Clean Fuel Tank						
Clean Air Filter						
Clean Spark Arrestor						

TO MAXIMIZE THE LIFESPAN OF YOUR GENERATOR: We recommend running your generator at least once a month for 20 to 30 minutes. Start the generator according to the instructions and plug a small load in to make sure the outlet is producing electricity.

SAFETY INFORMATION

 **WARNING!** Before operating the generator, make sure to read all safety warnings and all instructions. Failure to follow the warnings and instructions may result in electric shock, fire or serious injury.

SAFETY INTRODUCTION

Safety is a combination of common sense, staying alert, and knowing how your tool works. This manual contains important information regarding the generator's potential safety concerns, as well as preparation, operation, and maintenance instructions. Before operating this generator, be sure to read and observe all warnings and instructions both on the generator labels and in this instruction manual. Failure to follow all instructions listed below may result in personal injury.

NOTE: The following safety information is not meant to cover all possible conditions and situations that may occur. WEN reserves the right to change this product and specifications at any time without prior notice.


At WEN, we are continuously improving our products. If you find that your tool does not exactly match this manual, please visit wenproducts.com for the most up-to-date manual or contact customer service at **1-847-429-9263**, M-F 8-5 CST.


Keep this manual available to all users during the entire life of the tool and review it frequently to maximize safety for both yourself and others.

SAVE THESE SAFETY INSTRUCTIONS.

SAFETY SYMBOLS

The purpose of following safety symbols is to attract your attention to possible dangers. The safety symbols, and their explanations, deserve your careful attention and understanding. The safety warnings do not by themselves eliminate any danger. The instructions or warnings they give are not substitutes for proper accident prevention measures.

 **DANGER:** indicates a hazard, which, if not avoided, will result in death or serious injury.

 **WARNING:** indicates a hazard, which, if not avoided, could result in death or serious injury.

 **CAUTION:** indicates a hazard, which, if not avoided, might result in minor or moderate injury.

CAUTION! when used without the alert symbol, indicates a situation that could result in damage to the machine.

NOTICE REGARDING EMISSIONS

Engines that are certified to comply with U.S. EPA emission regulations for SORE (Small Off Road Equipment), are certified to operate on regular unleaded gasoline, and may include the following emission control systems: (EM) Engine Modifications and (TWC) Three-Way Catalyst (if so equipped).

QUESTIONS? PROBLEMS?

In order to answer questions and solve problems in the most efficient and speedy manner, contact customer service at **1-847-429-9263**, M-F 8-5 CST or email techsupport@wenproducts.com.

GENERATOR SAFETY WARNINGS


DANGER! CARBON MONOXIDE

Using a generator indoors **CAN KILL YOU IN MINUTES**. Generator exhaust contains carbon monoxide (CO). This is a poison gas you cannot see or smell. If you can smell the generator exhaust, you are breathing CO. But even if you cannot smell the exhaust, you could be breathing CO.





NEVER use a generator inside homes, garages, crawl spaces, or other partially enclosed areas. Deadly levels of carbon monoxide can build up in these areas. Using a fan or opening windows and doors does **NOT** supply enough fresh air. **ONLY** use a generator outside and far away from windows, doors, and vents. These openings can pull in generator exhaust.

Even if you use a generator correctly, CO may leak into the home. **ALWAYS** use a battery-powered or battery-backup CO alarm in the home. If you start to feel sick, dizzy, or weak after the generator has been running, move to fresh air **RIGHT AWAY**. See a doctor. You may have carbon monoxide poisoning.


 **WARNING! RISK OF EXPLOSION. HIGHLY FLAMMABLE:** This generator may emit highly flammable and explosive gasoline vapors, which can cause severe burns or even death, if ignited. A nearby open flame can lead to explosion even if not directly in contact with gasoline.

- Do not operate near open flame, heat, or any other ignition source. Do not smoke near the generator.
- Always operate on a firm, level surface.
- Always turn generator off before refueling. Allow generator to cool for at least 2 minutes before removing fuel cap. Loosen cap slowly to relieve pressure in tank.
- Do not overfill fuel tank. Gasoline may expand during operation. Do not fill to the top of the tank. Allow for expansion. Always check for spilled fuel before operating.
- If fuel spills, move the generator at least 30 feet away from the spill and wipe clean any spilled fuel before starting the engine.
- Empty fuel tank before storing or transporting the generator.

 **WARNING!** If this generator is used as a supply for a building's wiring system, the generator must be installed by a qualified electrician and connected to a transfer switch as a separately derived system in accordance with all applicable laws and electrical codes and the National Electrical Code, NFPA 70. The generator shall be connected to a transfer switch that switches all conductors excluding the equipment grounding conductor. The frame of the generator shall be connected to an approved grounding electrode.

 **CALIFORNIA PROPOSITION 65 WARNING:** This product contains chemicals and produces exhaust known to the State of California to cause cancer, birth defects and other reproductive harm.

GENERATOR SAFETY WARNINGS

 **WARNING!** Do not let comfort or familiarity with the product replace strict adherence to product safety rules. Failure to follow the safety instructions may result in serious personal injury.

OPERATING ENVIRONMENT

1. **Using a generator indoors can kill you in minutes.**

Only use a generator outside and far away from windows, doors and vents.

2. **Do not smoke near the generator.**

3. **Do not operate near open flame, heat, or flammable materials.** This generator may emit highly flammable and explosive gasoline vapors, which can cause severe burns or even death if ignited. A nearby open flame can lead to an explosion even if it isn't directly in contact with gasoline.

4. **Do not expose the generator to rainy or wet conditions; doing so significantly increases the risk of electrical shock.** Never handle the generator, electronic devices, or any cord while standing in water, while barefoot, or when hands or feet are wet.

5. **Always operate the generator on a dry, firm, level surface.**

6. **The generator should have at least 5 feet of clearance from buildings or other equipment during operation.**

7. **Do not allow children or non-qualified persons to operate the generator.**

GENERATOR PREPARATION

1. **Always ground the generator before using it to maximize safety** (see "Ground the Generator" section).

2. **Do not overfill fuel tank, as gasoline may expand during operation.** Do not fill to the very top of the tank. Leave room for gasoline expansion. Always check for spilled fuel before operating.

3. **If any part of the generator, electrical device or power cord is broken, damaged, or defective, make sure it is repaired or replaced before operation.** Service should only be performed by a qualified technician. Do not use receptacles or cords that show signs of damage, such as broken or cracked insulation.

4. **Use a ground fault circuit interrupter (GFCI) in highly conductive areas such as metal decking or steel work.** Extension cords with in-line GFCIs are recommended for these operations to maximize safety.

5. **If connecting the generator to a building's electrical system for standby power, you MUST consult a qualified electrician and install a transfer switch.** Such connections must comply with local electrical laws and codes. Failure to comply can create a back-feed, which may result in serious injury or death to utility workers.

6. **Never modify the generator in any way.** Modifying or using the machine for any other purpose for which it is not designed may result in serious injuries, machine damage and voiding of the warranty.

GENERATOR OPERATION


1. **Only use the generator for its intended purposes.** Modifying or using the generator for operations for which it was not designed may cause hazards and personal injury.

2. **Do not touch bare wires or receptacles (outlets).**

3. **Do not exceed the wattage capacity of the generator by plugging in more electrical devices than the unit can handle.** This could damage the generator and/or connected electrical devices. Check the operating voltage and frequency requirements of all electrical devices prior to plugging them into the generator.

Generator safety warnings continue on the next page.

GENERATOR SAFETY WARNINGS

 **WARNING!** Do not let comfort or familiarity with the product replace strict adherence to product safety rules. Failure to follow the safety instructions may result in serious personal injury.

TO MAXIMIZE THE LIFESPAN OF YOUR GENERATOR: We recommend running your generator at least once a month for 20 to 30 minutes. Start the generator according to the instructions and plug a small load in to make sure the outlet is producing electricity. If you do not run it often, it will greatly shorten the generator's lifespan and void the warranty.

4. **Allow generator to run for several minutes before connecting electrical devices.** Do not start or stop engine with electrical devices plugged in to the receptacles. Failure to do so could damage the generator and/or connected electrical devices.
5. **Do not turn on electrical devices until after they are connected to the generator.**
6. **Generators vibrate in normal use.** During and after the use of the generator, inspect both the generator as well as extension and power supply cords for damage resulting from vibration.
7. **Do not touch hot parts.** This generator produces heat when running. Temperatures near exhaust can exceed 150°F (65°C). Allow generator to cool down after use before touching engine or areas of the generator that become hot during use.
8. **Turn off all connected electrical devices before stopping the generator.**
9. **Always turn generator off before refueling.** Allow generator to cool for at least 2 minutes before removing fuel cap. Loosen cap slowly to relieve pressure in tank.
10. **Turn the engine switch and fuel selector knob to "OFF" position when the engine is not running.**
11. **Empty fuel tank before storing or transporting the generator.** Do not store generator or gasoline near furnaces, water heaters, or any other appliances that produce heat or have automatic ignitions. Store the generator and fuel away from sparks, open flames, pilot lights, heat and other sources of ignition.
12. **Always wash hands after handling generator.**

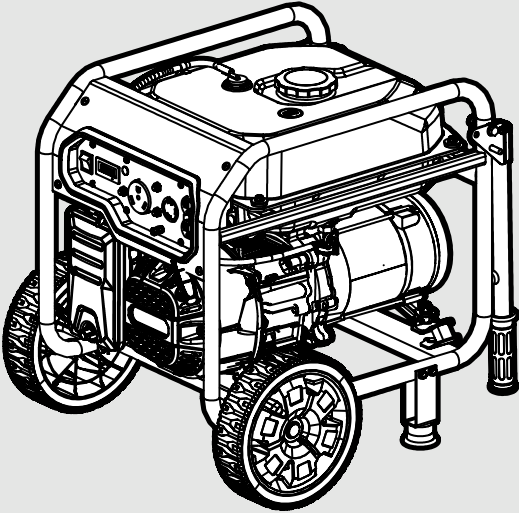
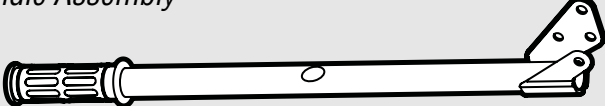
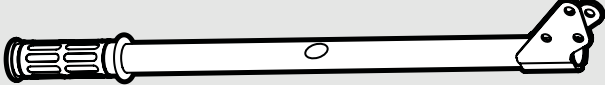




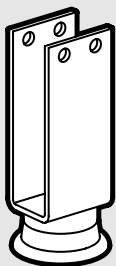
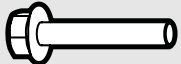

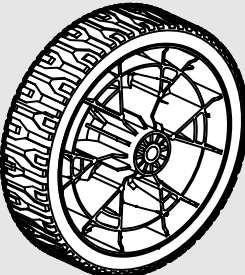



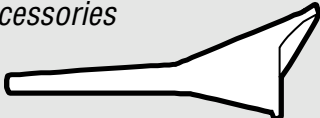
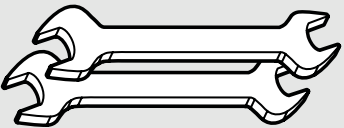
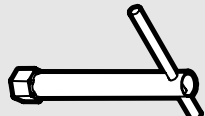

CAUTION: Misuse of this generator can damage it or shorten its lifespan.

UNPACKING & PACKING LIST

UNPACKING

With the help of a friend or trustworthy foe, such as one of your in-laws, carefully remove the generator from the packaging and place it on a sturdy, flat surface. Make sure to take out all contents and accessories. Do not discard the packaging until everything is removed. Check the packing list below to make sure you have all of the parts and accessories. If any part is missing or broken, please contact customer service at **1-847-429-9263** (M-F 8-5 CST), or email techsupport@wenproducts.com.

PACKING LIST

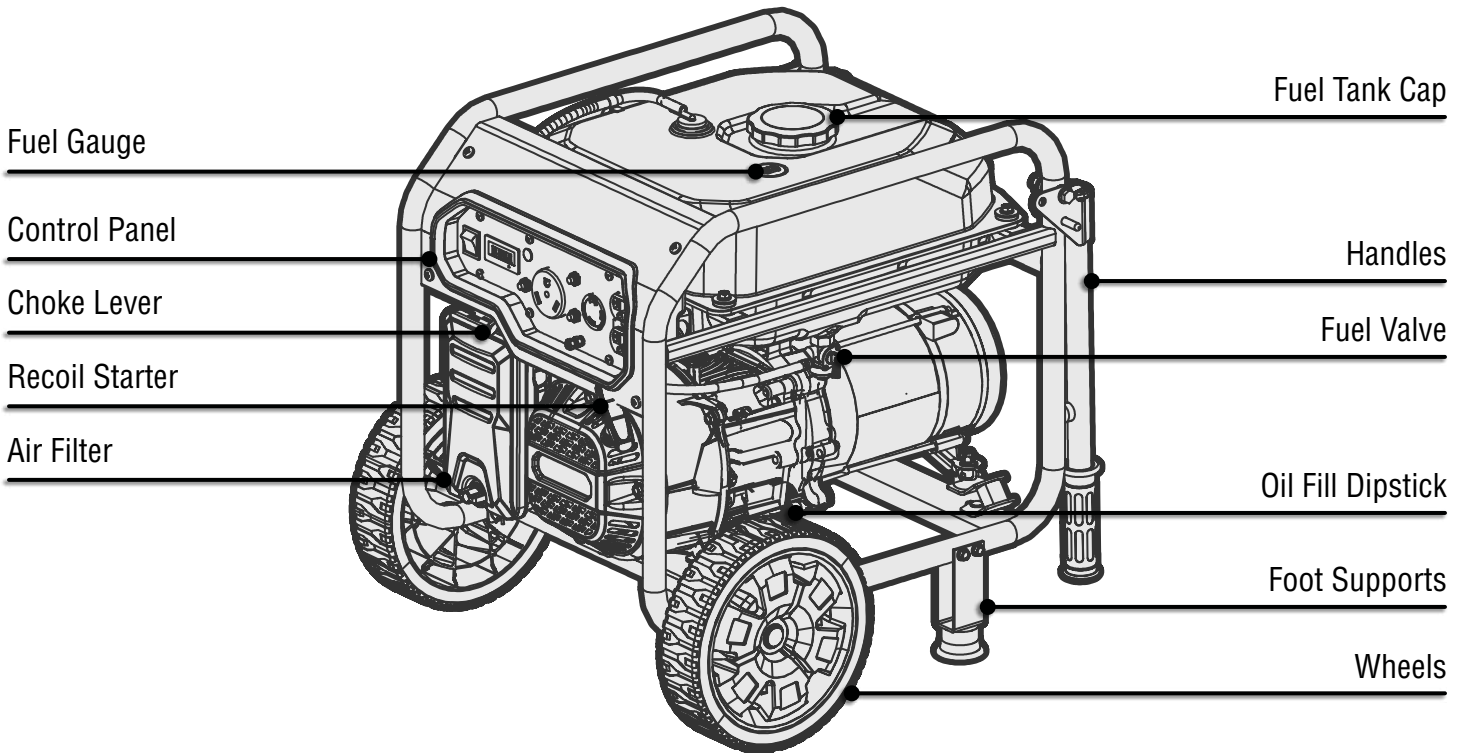
<p><i>Components</i></p>  <p>Generator</p>	<p><i>Handle Assembly</i></p>  <p>Right Handle (1)</p>  <p>Left Handle (1)</p>  <p>M8x48 Hex Bolt (2)</p>  <p>Pin (2)</p>  <p>M8 Hex Nut (2)</p>  <p>8mm Washer (4)</p>	
<p><i>Foot Support Assembly</i></p>  <p>Foot Assembly (2)</p>  <p>M6x40 Hex Bolt (4)</p>  <p>M6 Hex Nut (4)</p>	<p><i>Wheel Assembly</i></p>  <p>Wheels (2)</p>  <p>Axle Pins (2)</p>  <p>R-Clips (2)</p>  <p>Washer (2)</p>	<p><i>Accessories</i></p>  <p>Funnel (1)</p>  <p>Wrenches (2) (8-10mm, 10-13mm)</p>  <p>Spark Plug Socket (1)</p>  <p>Screwdriver (1)</p>

KNOW YOUR GENERATOR

TOOL PURPOSE

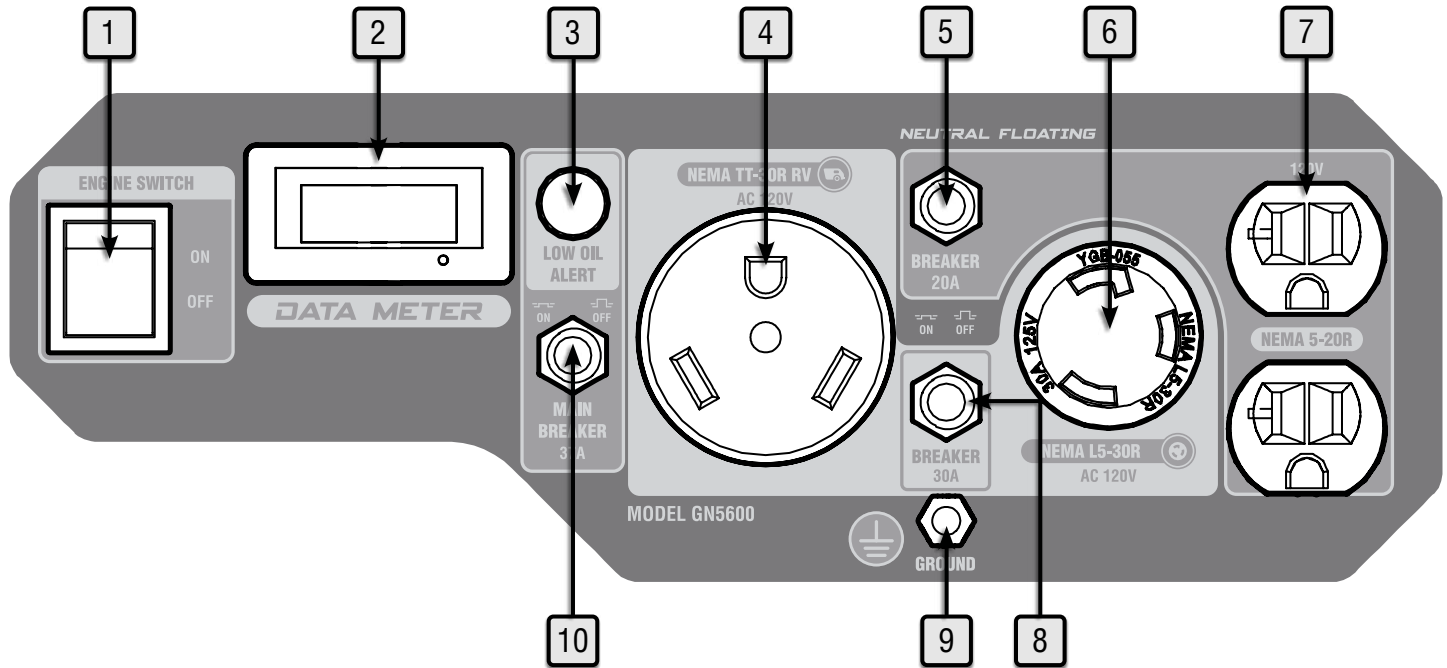
Portable generators provide you with power when and where you need it most. Refer to the following diagrams to become familiarized with all the parts and controls of your generator. The components will be referred to later in the manual for assembly and operation instructions.

GENERATOR



KNOW YOUR GENERATOR

CONTROL PANEL



1. Engine Switch

Start the engine using this switch.

2. Data Meter

Displays voltage, frequency, total runtime (HHHH), and session runtime (HH:MM). Press the MODE button to switch between displays.

3. Low Oil Alert

Illuminates if the oil level is too low.

4. AC 120V NEMA TT-30R RV Receptacle (30A)

Standard RV connector.

5. Circuit Breaker (20A)

6. AC 120V NEMA L5-30R Receptacle (30A)

Multipurpose outlet.

7. AC 120V NEMA 5-20R Duplex Receptacles (20A)

Standard household outlets provide 120V 60Hz power.

8. Circuit Breaker (30A)

9. Grounding Nut

Ground generator to reduce risk of electric shock.

10. Main Breaker (37A)

ASSEMBLY & ADJUSTMENTS

⚠ WARNING! Do not turn on the generator until it is fully assembled according to the instructions. Read through and become familiarized with the following procedures of handling and adjusting your tool. Failure to follow the safety instructions may result in serious personal injury.

- Never use the handle as a lifting point to support the entire weight of the generator. Only use the handle to pull the generator with the help of the wheels.
- Use caution when collapsing the handle. Hands and fingers could get caught and pinched.

ASSEMBLY

Refer to the packing list on p. 9 to gather the proper parts and tools for installing the feet, wheels, and handles.

NOTE: There are different sizes of bolts/nuts; be sure to use the proper bolts/nuts for each assembly step.

INSTALLING THE FOOT SUPPORTS (FIG. A)

The foot assemblies are installed on the base of the generator, towards the rear, opposite the control panel.

1. Prepare a set of blocks on level ground (a 4×4 block of wood works well). Place the generator on the blocks. Have someone help you lift the generator.

2. Align the holes on the foot bracket (Fig. A - 1) with the holes on the generator frame. Slide two M6x40 hex bolts (Fig. A - 2) through the foot bracket and generator frame and secure them using two M6 hex bolts (Fig. A - 3). Tighten the bolts using the included wrench. Repeat for the other foot support.

INSTALLING THE WHEELS (FIG. B)

The wheels are installed on either side of the generator, towards the front, beside the control panel.

1. Align the wheel (Fig. B - 1) with the hole on the generator frame. Slide the axle pin (Fig. B - 2) through the wheel, washer (Fig. B - 3), and generator frame. Repeat for the other wheel.

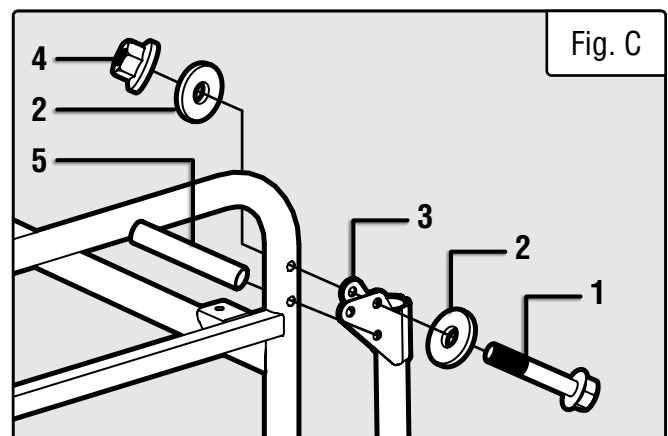
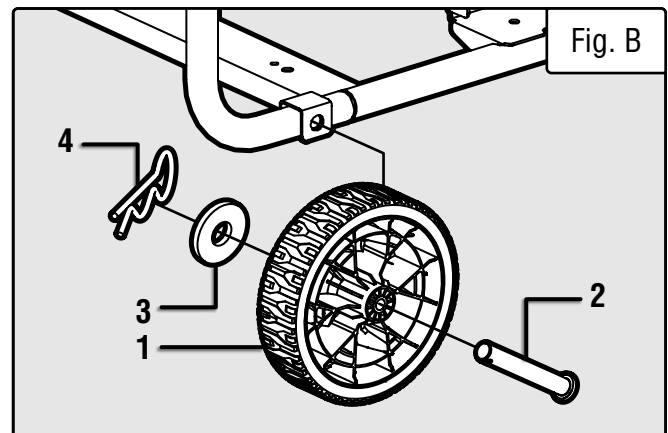
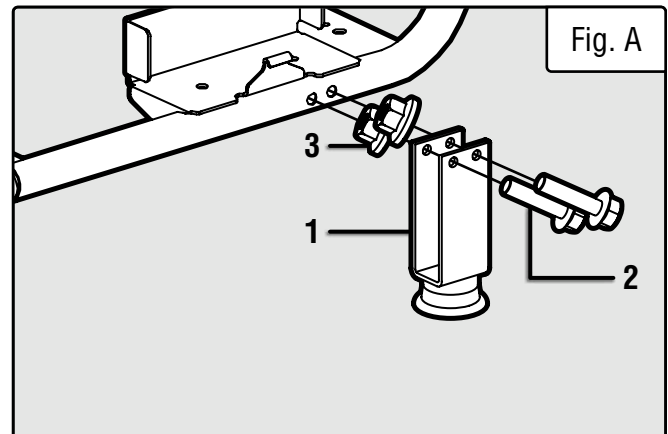
2. Insert the R-clip (Fig. B - 4) through the hole in the axle pin and lock the wheel in place. Repeat for the other wheel.

INSTALLING THE HANDLES (FIG. C)

The handles are installed on the rear of the generator, opposite the control panel.

1. Slide a M8x48 hex bolt (Fig. C - 1) and an 8mm washer (Fig. C - 2) through the upper holes on the handle (Fig. C - 3) and the upper holes on the generator frame. Secure on the other side with an 8mm washer and M8 hex nut (Fig. C - 4). Repeat for the other handle.

2. Slide a pin (Fig. C - 5) through the lower hole on the handle and the lower holes on the generator frame. Repeat for the other handle.

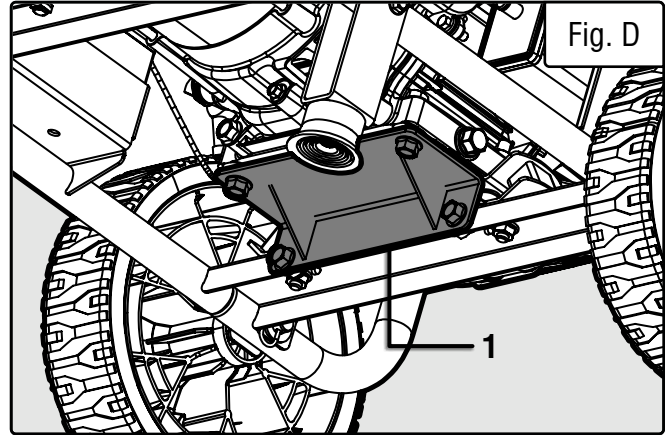


GENERATOR PREPARATION

REMOVING THE SHIPPING BRACKET

Your generator is shipped with a red shipping bracket (Fig. D - 1) in order to prevent machine damage during shipping. Make sure to remove the red shipping bracket before operating your generator. Failure to do so could lead to engine damage.

1. With the help of another person, place generator on an elevated platform such as table or workbench. Make sure the generator is stable. Remove the red shipping bracket. Do not tilt the generator as there may be remaining oil inside the crankcase from testing.



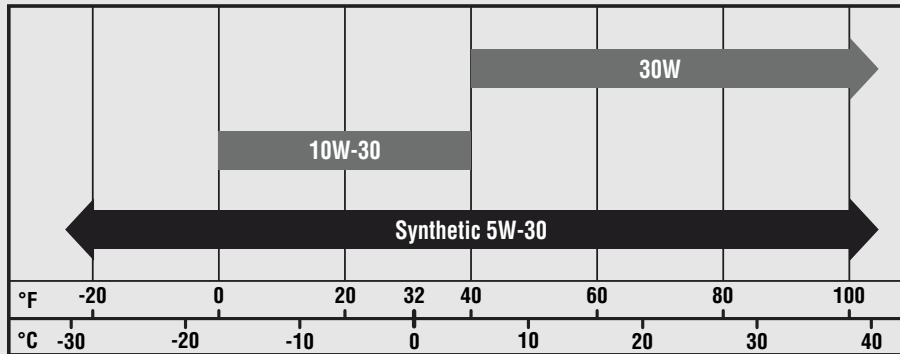
The following section describes the necessary steps to prepare the generator for use. If you are unsure about how to perform any of the steps, please call **1-847-429-9263** M-F 8-5 CST for customer service. Failure to perform these steps properly can damage the generator or shorten its life.

STEP 1 - ADD / CHECK OIL

The generator is shipped without oil. User must add the proper amount of oil before operating the generator for the first time. The oil capacity of the engine crankcase is 20 fl. oz. (0.60 L).

ENGINE OIL RECOMMENDATIONS

Select good quality detergent oil bearing the American Petroleum Institute (API) service classifications SJ, SL, or SM (synthetic oils may be used). Select the SAE viscosity grade of oil that matches the expected operating temperature.



- **30W Engine Oil**
Temperatures above 40°F
- **10W-30 Engine Oil**
Temperatures between 0°F - 40°F
- **Synthetic 5W-30 Engine Oil**
All temperature ranges

Instructions continue on the next page.

GENERATOR PREPARATION

To add oil, follow these steps:

1. Place the generator on a level surface. Make sure the engine is off before adding or checking oil.

CAUTION: Keep the generator level! Tilting the generator to assist in filling will cause oil to flow into the wrong areas of the engine and cause damage.

2. Turn the dipstick (Fig. 1 - 1) counterclockwise until it is unscrewed from the engine.

3. Using an oil funnel or appropriate dispenser, slowly add oil into the oil fill, being careful not to overfill the unit. Fill the crankcase until you can see the oil coming halfway up the oil fill threads (Fig. 2).

4. Reinstall the oil dipstick and firmly tighten it. Wipe clean any spilled oil.

For subsequent operation, the oil level should be checked before each use, or after every 8 hours of operation. The generator is equipped with a low-oil sensor and will not start without a sufficient amount of oil.

To check oil level (before every subsequent start):

1. Place the generator on a level surface. Make sure the engine is off before adding or checking oil.

2. Remove and wipe the dipstick with a clean rag.

3. Insert the dipstick into the oil fill without screwing it in. Remove the dipstick to check the oil mark (Fig. 3).

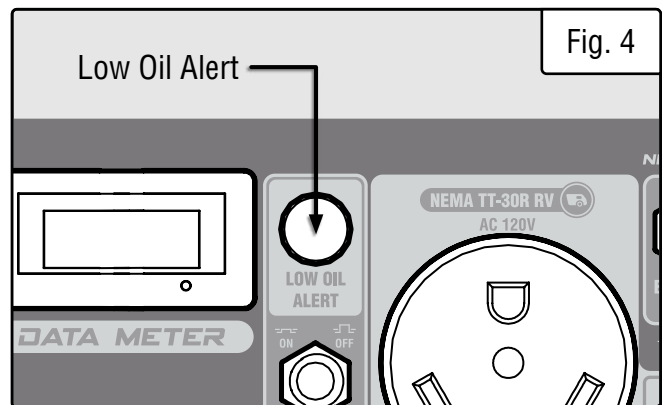
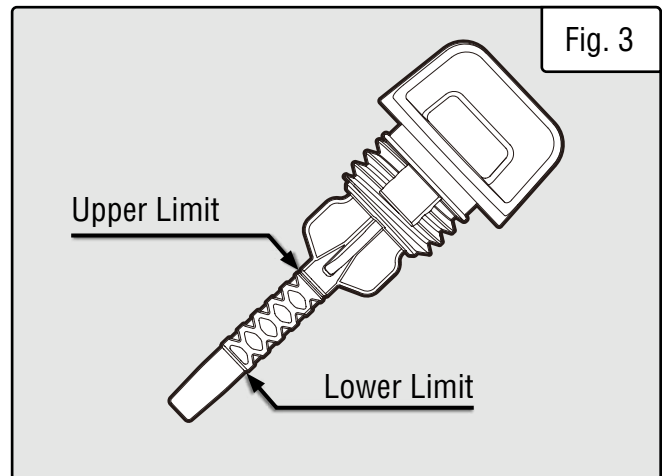
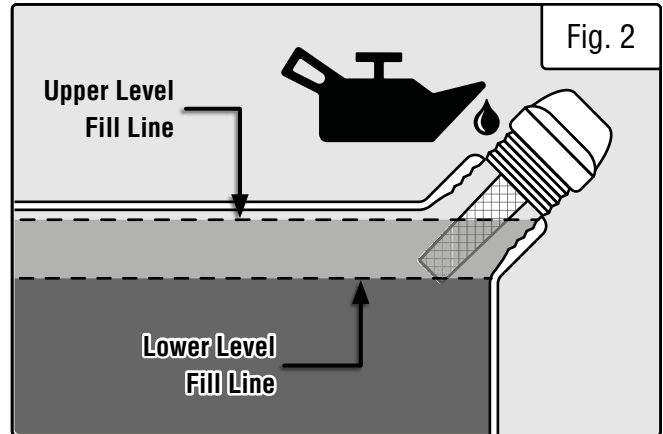
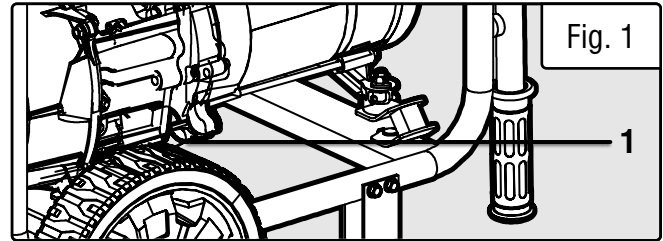
If the oil mark covers less than one half of the dipstick, slowly add oil until the oil mark reaches to the top of the dipstick.

4. Wipe clean any oil leaks and firmly tighten the dipstick.

OIL LEVEL SHUTDOWN

To protect the unit from damage, the generator is equipped with a low-oil-pressure shutoff that will automatically stop the engine when the oil level is too low. The low oil alert light (Fig. 4) will turn ON to remind you that the engine oil level is low and needs to be refilled.

The oil level of the engine should be checked before each start to ensure that the engine crankcase contains sufficient lubricant.



TIP: Your WEN generator is compatible with the **WEN 55201 Magnetic Oil Dipstick** (not included), available for purchase at wenproducts.com. The dipstick's industrial-strength magnetic tip will collect metal shavings from your generator's oil compartment to help preserve the engine and extend your generator's lifespan.

GENERATOR PREPARATION

STEP 2 - ADD / CHECK FUEL

⚠ WARNING! RISK OF EXPLOSION. HIGHLY FLAMMABLE: This generator may emit highly flammable and explosive gasoline vapors, which can cause severe burns or even death, if ignited. A nearby open flame can lead to explosion even if not directly in contact with gasoline.

- Do not operate near open flame, heat, or any other ignition source. Do not smoke near the generator.
- Always operate on a firm, level surface.
- Always turn generator off before refueling. Allow generator to cool for at least 2 minutes before removing fuel cap. Loosen cap slowly to relieve pressure in tank.
- Do not overfill fuel tank. Gasoline may expand during operation. Do not fill to the top of the tank. Allow for expansion. Always check for spilled fuel before operating.
- If fuel spills, move the generator at least 30 feet away from the spill and wipe clean any spilled fuel before starting the engine.
- Empty fuel tank before storing or transporting the generator.

Use ONLY fresh (within 30 days from purchase), lead-free gasoline with a minimum of 87 octane rating. The generator performs best with ethanol-free gasoline. DO NOT use gasoline with over 10% ethanol. The capacity of the fuel tank is 4.36 US gallons (16.50 L). Do not mix oil with gasoline.

To add gasoline:

1. Make sure the generator is shut OFF and on a level surface. Unscrew the fuel cap (Fig. 5 - 1) and set it aside. The fuel cap may be tight and hard to unscrew.
2. Slowly add unleaded gasoline to the fuel tank. Be careful not to overfill.

NOTE: Do not fill the fuel tank to the very top. If you do so, gasoline will expand and spill during use, even with the fuel cap in place.

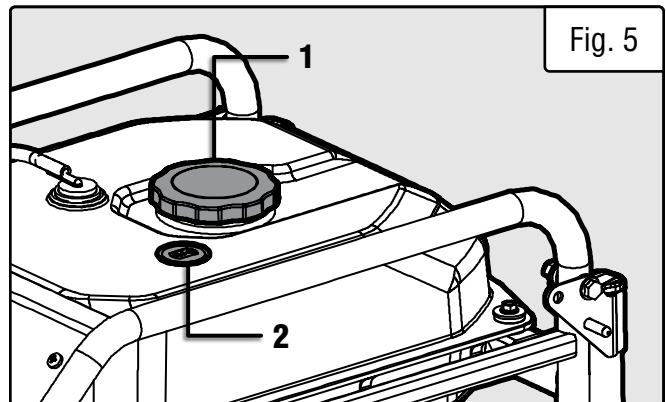
3. Reinstall fuel cap and wipe clean any spilled gasoline with a dry cloth.

To check fuel level:

Check the fuel gauge (Fig. 5 - 2) on top of the fuel tank. If the fuel level is low, refill the fuel tank before starting your generator for the next time.

IMPORTANT:

- Avoid getting dirt or water into the fuel tank.
- Keep gasoline away from sparks, open flames, pilot lights, heat, and other sources of ignition.
- Gasoline can age in the tank and make starting difficult. Never store the generator for more than 2 months with fuel in the tank.
- Never use an oil/gasoline mixture.
- Never use old gasoline.



GENERATOR PREPARATION

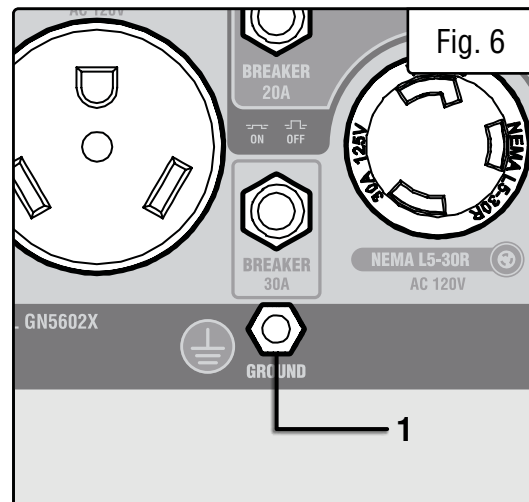
STEP 3 - GROUND THE GENERATOR

To reduce the risk of electric shock and to maximize safety, the generator should be properly grounded.

Ground the generator by tightening the grounding nut (Fig. 6 - 1) on the front control panel against a grounding wire. A generally acceptable grounding wire is a No. 12 AWG (American Wire Gauge) stranded copper wire.

This grounding wire should be connected at the other end to a copper, brass, or steel grounding rod that is driven into the earth. Wire and grounding rods are not included with the generator.

NOTE: Grounding codes can vary by location. Contact a local electrician to check the area codes.



⚠ WARNING! Failure to properly ground the generator increases your risk of electric shock.

HIGH ALTITUDE OPERATION ABOVE 3000 FEET

The fuel system on this generator may be affected by operation at high altitudes. Proper operation can be ensured by installing an altitude kit at altitudes higher than 3000 feet above sea level. At elevations above 8000 feet, the engine may experience a decrease in performance, even with the proper altitude kit. Operating this generator without said kit may increase the engine's emissions and decrease both fuel economy and performance.

You can order the kit at wenproducts.com by searching part GN5600-HA. There are two kits - one for altitudes between 3000 and 6000 feet (**part no. GN5600-HA36**), and the other for altitudes from 6000 to 8000 feet (**part no. GN5600-HA68**). This kit should be installed by a qualified mechanic. Refer to the instructions included with your altitude kit for more information about installation.

NOTE: The high altitude kit must be installed for operation above 3000 feet.

⚠ WARNING! To prevent serious injury from fire, follow the kit installation procedures in a well-ventilated area away from ignition sources. If the engine is hot from use, shut the engine off and wait for it to cool before proceeding. Do not smoke near the generator. Warranty will be void if adjustments are not made for high altitude use.

CAUTION: Engines with the high-altitude kit installed operated at lower altitudes could cause severe engine damage and affect emissions compliance. Be sure to uninstall the high altitude kit when operating at altitudes below 3000 feet.

After completing the above preparation, the generator is ready to be started.

STARTING YOUR GENERATOR

Before starting the generator, make sure you have read and performed the steps in the “Generator Preparation” section of this manual. If you are unsure about how to perform any of the steps in this manual please call **1-847-429-9263** M-F 8-5 CST for customer service.


DANGER! CARBON MONOXIDE

Using a generator indoors **CAN KILL YOU IN MINUTES**. Generator exhaust contains carbon monoxide (CO). This is a poison gas you cannot see or smell. If you can smell the generator exhaust, you are breathing CO. But even if you cannot smell the exhaust, you could be breathing CO.


NEVER use a generator inside homes, garages, crawl spaces, or other partially enclosed areas. Deadly levels of carbon monoxide can build up in these areas. Using a fan or opening windows and doors does NOT supply enough fresh air. **ONLY** use a generator outside and far away from windows, doors, and vents. These openings can pull in generator exhaust.


Even if you use a generator correctly, CO may leak into the home. **ALWAYS** use a battery-powered or battery-backup CO alarm in the home. If you start to feel sick, dizzy, or weak after the generator has been running, move to fresh air **RIGHT AWAY**. See a doctor. You may have carbon monoxide poisoning.

 **WARNING!** The exhaust from this product contains chemicals known to the State of California to cause cancer, birth defects, or other reproductive harm.

 **WARNING!** Do not operate generator near open flame or flammable materials. This generator may emit highly flammable and explosive gasoline vapors, which can cause severe burns or even death if ignited. A nearby open flame can lead to explosion even if it isn't directly in contact with gasoline. Do not smoke near the generator.

 **WARNING!** This generator produces powerful voltage, which can result in electrocution.

 **WARNING!** Do not use in rainy or wet conditions. Do not touch bare wires or receptacles (outlets). Do not allow children or non-qualified persons to operate.

 **WARNING!** Generator should only be connected to electrical devices, either directly or with an extension cord. **NEVER** connect to a building electrical system without a qualified electrician and connected to a transfer switch as a separately derived system. Such connections must comply with local electrical laws and codes. Failure to comply can create a back-feed, which may result in serious injury or death to utility workers.

To maximize safety, **ALWAYS** ground the generator before using it. See section “Ground the Generator”.

Use a ground fault circuit interrupter (GFCI) in highly conductive areas such as metal decking or steel work. GFCIs are available in-line with some extension cords.

CAUTION! Disconnect all electrical loads from the generator before attempting to start.

Follow the instructions on the next page to start your generator.

STARTING YOUR GENERATOR

BEFORE STARTING THE GENERATOR

1. Verify that the generator is outside on a dry, level surface with at least two feet of clearance on all sides.
2. To maximize safety, check that the generator is properly grounded (see "GROUND THE GENERATOR").
3. Check that there is a sufficient level of oil in the crankcase. Add oil if necessary (see "ADD / CHECK OIL").
4. Make sure that there is enough gasoline in the fuel tank. Add fuel if necessary (see "ADD / CHECK FUEL").
5. Make sure all electrical devices are unplugged from the generator during ignition otherwise it will be difficult for the engine to start.

STARTING THE GENERATOR

1. Turn the fuel valve (Fig. 7 - 1) to the ON position.
2. Turn the choke lever (Fig. 8 - 1) to the CLOSED position.
3. Push the engine switch (Fig. 9) to the ON position.
4. Place one hand on the generator to hold it in place, and pull on the recoil starter handle (Fig. 8 - 2) slowly until a slight resistance is felt. Then pull quickly to start the engine. Return cord gently into the machine. Never allow the cord to snap back.

NOTE: If engine fails to start, repeat step 3.

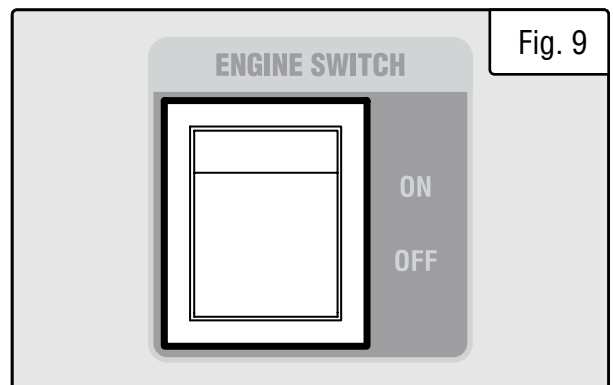
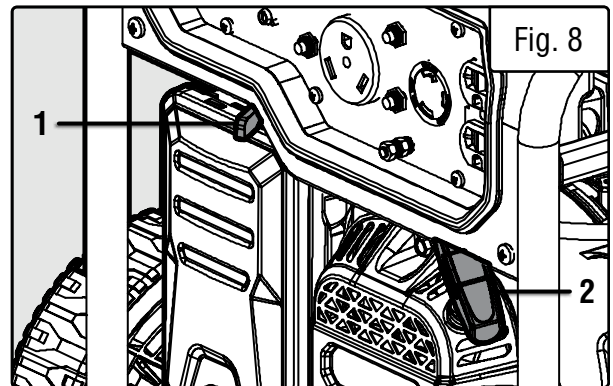
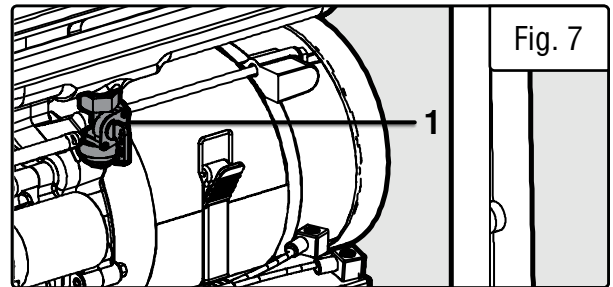
5. Once the engine starts, turn the choke lever to OPEN.
6. Allow the generator to run for several minutes before attempting to connect any electrical devices. This allows the generator to stabilize its speed and temperature.

NOTE: If you have repeated failed attempts to start the engine, please consult the troubleshooting guide. If problems persist, please call please call **1-847-429-9263** M-F 8-5 CST.

ENGINE BREAK-IN PROCEDURE

The procedure below should be followed when you receive your generator in order to prolong the engine's service life. This procedure helps to seat the piston rings properly in the cylinder, and will reduce overall wear on the engine.

For the first 8 hours of operation, vary the load, but keep it at or below 50% of the generator's rated wattage, if possible. If your generator is equipped with an Eco-mode switch (only applicable for certain inverter generators), engage Eco-mode periodically during the first 8 hours. After the first 8 hours, change the oil, then change it again after the first 25 hours. You may run the generator at full load after the 8-hour oil change. Refer to the Recommended Maintenance Schedule in Table 4 for the full maintenance schedule.



USING YOUR GENERATOR

CALCULATING THE WATTAGE OF YOUR DEVICE(S)

Connect electrical devices running on AC current according to their wattage requirements. Calculate the total running wattage and starting wattage of the device(s) you wish to connect, and **MAKE SURE** that they are within the capacity of your generator and the capacity of each individual outlet.

Generator Wattage Capacity	GENERATOR RUNNING (RATED) WATTS	GENERATOR STARTING (SURGE) WATTS
		4500W
	<p>What this means: The generator can produce a maximum of 4500W on a continuous basis to supply on-going power to your electronic devices.</p> <p>NOTE: Also check the rated amperage for each outlet and make sure not to overload the individual outlets.</p>	<p>What this means: Some devices such as box fans require short bursts of extra power in addition to the rated wattage listed by the device to start their motors.</p> <p>The generator can produce a maximum wattage of 5600W for a short period of time (seconds) to cover the extra starting power required by your electronic devices.</p>
Electronic Device Wattage Calculation	<p>Find the wattage information of each device you plan to connect. The information should be listed on the device or in its instruction manual, or you may refer to Table 2.</p> <p style="text-align: center;">The wattage can be calculated using this equation: Watts = Volts x Amperes</p>	
	<p>To calculate the total running watts of your devices:</p> <p>+ Add up the running wattages of all the device(s) you plan to connect.</p> <p>= The total running (rated) wattage.</p> <p>This wattage should NOT exceed the running wattage of 4500W.</p> <p>It is recommended to maintain a load at or below 4050W (90% of the rated output) to ensure steady voltage output and to prolong the generator's lifespan.</p>	<p>To calculate the total starting watts of your devices:</p> <p>+ Add up the total running wattage of all the device(s) you plan to connect.</p> <p>+ Add the single highest ADDITIONAL starting wattage out of the device(s) you plan to connect.</p> <p>= The total starting (surge) wattage.</p> <p>This wattage should NOT exceed the starting wattage of 5600W.</p>
	<p>If any of either of the total calculated running watts or starting watts is higher than the capacity of your generator, adjust the load until both wattage requirements are met. Otherwise you will overload the generator, and cause damage to the engine and your electrical device(s).</p>	

Table 1 - How to Calculate Wattages

USING YOUR GENERATOR

CALCULATING THE WATTAGE OF YOUR DEVICE(S) - CONTINUED

The chart below serves as a reference for the estimated wattage requirements of common electrical devices. However, do not solely rely on this chart - all electronics and appliances are built differently. Always check the wattage listed on the electrical device before consulting this chart.

Tool or Appliance	Rated (Running) Watts	Surge (Starting) Watts
Electric Water Heater (40 Gal)	4000	0
Hot Plate	2500	0
Saw - Radial Arm	2000	2000
Electric Stove (Each Element)	1500-2800	0
Saw - Circular	1500	1500
Air Compressor (1 HP)	1500	3000
Window Air Conditioner	1200	1800
Saw - Miter	1200	1200
Microwave	1000	0
Well Water Pump	1000	1000
Sump Pump	800	1200
Refrigerator Freezer	800	1200
Furnace Blower	800	1300
Computer	800	0
Electric Drill	600	900
Television	500	0
Deep Freezer	500	500
Garage Door Opener	480	0
Stereo	400	0
Box Fan	300	600
Clock Radio	300	0
Security System	180	0
Dvd Player / VCR	100	0
Common Light Bulb	75	0

Table 2 - Estimated Wattages of Common Electrical Appliances

NOTE: Become familiar with the functions and capacity of each component on the control panel before connecting electrical devices. See page 11 for more information about the components of the control panel. Do not overload generator or individual panel receptacles. Do not connect 50Hz or 3-phase loads to the generator.

USING YOUR GENERATOR

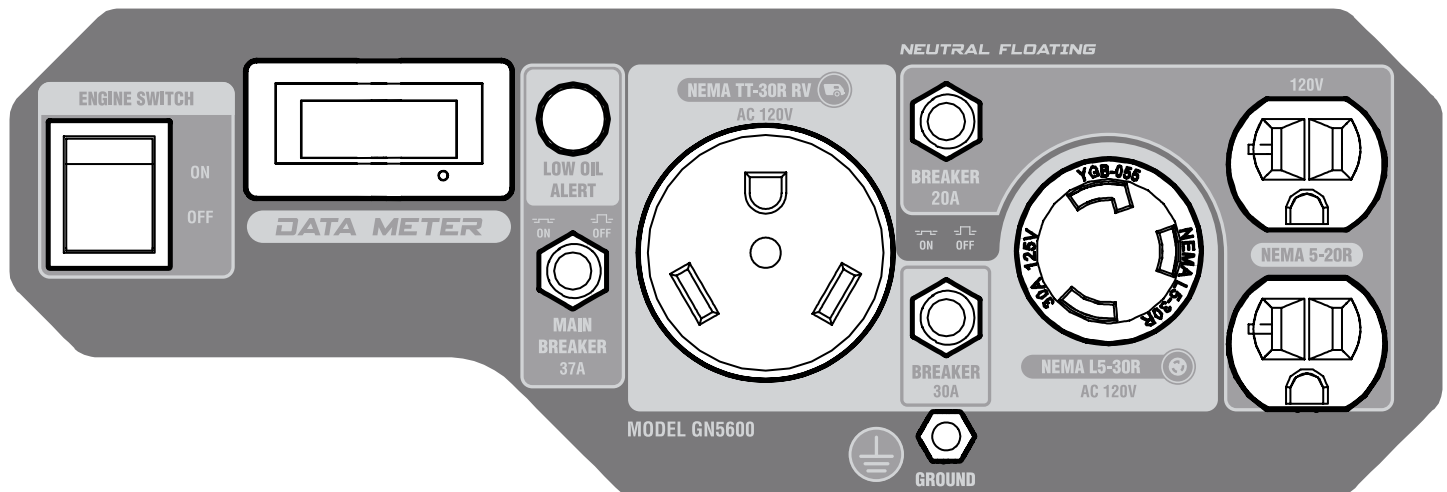
CONNECTING ELECTRICAL DEVICES

When the rated wattage requirement of each electrical device has been determined, add these numbers to find the total rated wattage needed. If this number exceeds the rated wattage (4500W) of the generator, DO NOT connect all these devices. Select a combination of electrical devices with a total rated wattage lower than or equal to the rated wattage of the generator.

⚠ CAUTION! Become familiar with the markings on the control panel before connecting electrical devices. Do not connect 3-phase or 50Hz loads to the generator.

1. Before connecting electrical devices, allow the generator to run for a few minutes to stabilize the speed and voltage output.
2. Make sure that all devices are turned off. Start plugging in each electric device, from the highest wattage to the lowest. Check the power indicator light (green) to ensure the generator is producing power.
3. Do not overload the generator or individual panel receptacles. If an overload occurs, one or more circuit breakers will trip. Unplug all electrical devices, then press the circuit breaker to reset it. If it will not reset, wait a few minutes for it to cool down. Check the total wattage of the devices and reduce the load if it exceeds the capacity of the generator. Then, plug the loads back in one by one.

NOTE: If the reset button or circuit breaker does not reset, wait several minutes and try again. If problem still persists, please call **1-847-429-9263** M-F 8-5 CST, or email techsupport@wenproducts.com.



USING YOUR GENERATOR

SOME NOTES ABOUT POWER CORDS

Long or thin cords can drain the power provided to an electrical device by the generator. When using such cords, allow for a slightly higher rated wattage requirement by the electrical device.

Device Requirements			Max. Cord Length (ft) by Wire Gauge				
Amps	Watts (120V)	Watts (240V)	#8 wire	#10 wire	#12 wire	#14 wire	#16 wire
2.5	300	600	NR	NR	NR	375	250
5	600	1200	NR	NR	300	200	125
7.5	900	1800	NR	350	200	125	100
10	1200	2400	NR	250	150	100	50
15	1800	3600	NR	150	100	65	NR
20	2400	4800	175	125	75	50	NR
25	3000	6000	150	100	60	NR	NR
30	3600	7200	125	65	NR	NR	NR
40	4800	9600	90	NR	NR	NR	NR

*NR = Not Recommended

Table 3 - Power Cord Requirement Guide

⚠ WARNING! Generator should **only** be connected to electrical devices, either directly or with an extension cord. NEVER CONNECT TO A BUILDING ELECTRICAL SYSTEM without a qualified electrician and connected to a transfer switch as a separately derived system. Such connections must comply with local electrical laws and codes. Failure to comply can create a back-feed, which may result in serious injury or death to utility workers.

NOTE: For power outages, permanently installed, stationary generators are better suited for providing backup power to your home. Even a properly connected portable generator can become overloaded. This may result in overheating or stressing the machine's components, possibly leading to generator failure.

CIRCUIT BREAKERS (FIG. 10)

The 30A circuit breaker protects the NEMA TT-30R outlet and the NEMA L5-30R outlet. The 20A circuit breaker protects the NEMA 5-20R outlets. The 37A main circuit breaker protects the entire panel. The circuit breakers will activate when the outlets exceed the indicated amperage. When the circuit breaker activates, turn off and disconnect the device from its respective outlet and press the circuit breaker to reset.

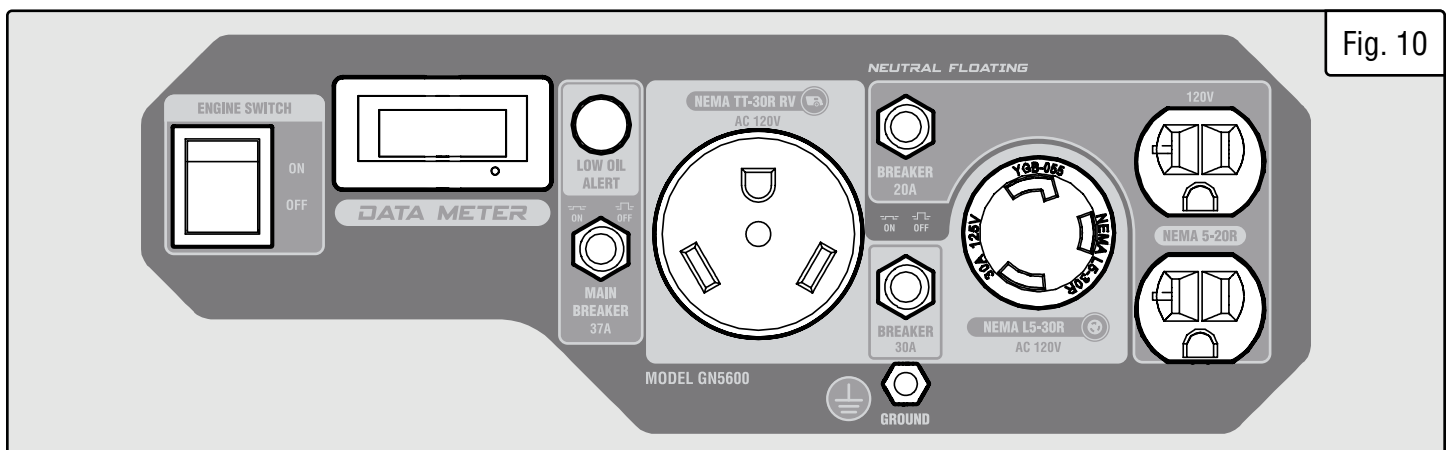


Fig. 10

SHUTTING OFF YOUR GENERATOR

⚠ CAUTION! Unplugging running devices can cause damage to the generator. Never stop the engine with electrical devices connected and running.

OPTION 1: AUTOMATIC FUEL SHUTOFF

Your generator is equipped with automatic fuel shutoff. This feature turns off the flow of fuel, allowing for the generator to use up the remaining fuel from the carburetor before turning off. This prolongs the lifespan of the generator by preventing build-up and blockages caused by stagnant fuel inside of a carburetor.

1. Turn off all electrical devices prior to unplugging them from the generator. Unplugging running devices can cause damage to the generator.
2. Allow generator to run at no load for a few minutes to stabilize internal temperatures.
3. Turn the fuel valve (Fig. 11 - 1) to the OFF position.
4. The engine will continue to run until the majority of the fuel in the carburetor is consumed, which takes a few minutes. It will then shut off automatically. This feature helps to prevent the carburetor from being clogged by stale fuel, extending your generator's lifespan.
5. Push the engine switch (Fig. 12) to the OFF position.

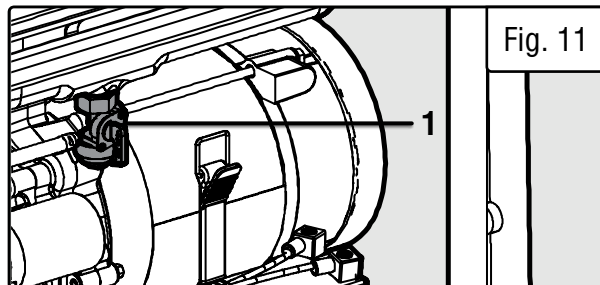


Fig. 11

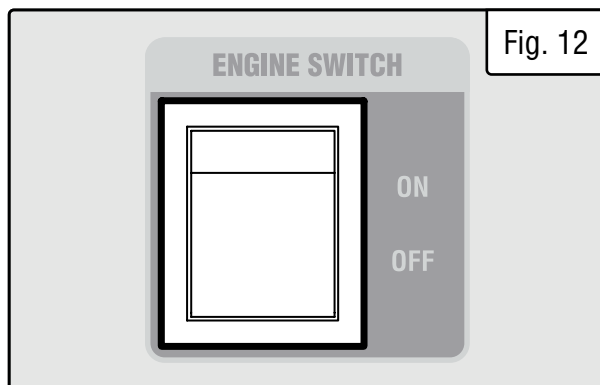


Fig. 12

OPTION 2: MANUAL SHUTOFF

In case you are in a hurry and do not want to wait for the generator to automatically shut down, the manual shutoff feature is available. However, this method will leave stagnant fuel in the carburetor, possibly causing blockages, a shortened lifespan, and other maintenance issues. If this approach is frequently taken, make sure to drain your carburetor before any long storage periods.

1. Turn off all electrical devices prior to unplugging them from the generator. Unplugging running devices can cause damage to the generator.
2. Push the engine switch to the OFF position.

⚠ WARNING! Allow the generator to cool down before touching areas that become hot during use.

CAUTION: Allowing gasoline to sit in the fuel tank for long periods of time can make it difficult to start the generator in the future. Never store the generator for extended periods of time (over 2 months) with fuel in the fuel tank. Refer to "Storing the Generator."

MAINTENANCE

Proper routine maintenance of the generator will help prolong the life of the machine. Please perform maintenance checks and operations according to the schedule in Table 4.

⚠ CAUTION! Never perform maintenance operations while the generator is running. Before maintaining or servicing the generator, turn OFF the generator, disconnect all devices and allow the generator to cool down.

If there are any questions about the maintenance procedures listed in this manual, please call **1-847-429-9263** M-F 8-5 CST or email techsupport@wenproducts.com.

Recommended Maintenance Schedule		Every 8 Hours or Daily	Every 25 Hours	Every 3 Months or 50 Hours	Every 6 Months or 100 Hours	Before Storage	As Necessary
Engine Oil	Check Level	x					
	Replace	x**	x**	x*			x
Air Filter	Check			x*			
	Clean			x*			
Spark Plug	Check/Clean/Regap				x		
	Change				x		x
Fuel	Check Level	x					
	Drain					x	x
Carburetor	Drain	x					x
Spark Arrestor	Check/Clean				x		

* Clean/change more often under dusty conditions or operating under heavy load. Table 4 - Recommended Maintenance Schedule

** Change the oil after the first 8 hours of operation, after the first 25 hours of operation, and every 50 hours after that.

IMPORTANT GENERATOR MAINTENANCE TIPS:

- Drain your carburetor after each use and before storage to prevent it from clogging.
- Do not store the generator with fuel inside the tank for more than 2 months - the fuel will go bad.
- Run the generator for at least 20 minutes every month to maximize lifespan.

CLEANING THE GENERATOR

Keep the generator clean to prevent improper operation or machine damage from dirt and debris. Inspect all ventilation openings on the generator. These openings must be kept clean and unobstructed. If the generator becomes dirty, use a damp cloth to wipe exterior surfaces. Use a soft bristle brush to loosen dirt and oil and use a vacuum to pick up loose dirt. Use low pressure air (not to exceed 25 PSI) to blow away dirt.

⚠ CAUTION! Never clean the generator when it is running! Never clean with a bucket of water or a hose. Water can get inside the working parts of the generator and cause corrosion or a short circuit.

NOTE: Failure to properly maintain the generator will void the warranty.

MAINTENANCE

CLEANING THE GENERATOR

Keep the generator clean to prevent improper operation or machine damage from dirt and debris. Inspect all ventilation openings on the generator. These openings must be kept clean and unobstructed.

If the generator becomes dirty, use a damp cloth to wipe exterior surfaces. Use a soft bristle brush to loosen dirt and oil and use a vacuum to pick up loose dirt. Use low pressure air (not to exceed 25 PSI) to blow away dirt.

⚠ WARNING! Never clean the generator when it is running! Never clean with a bucket of water or a hose. Water can get inside the working parts of the generator and cause corrosion or a short circuit.

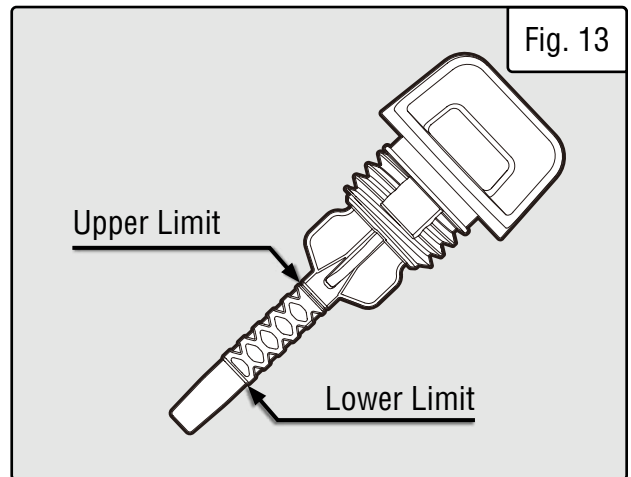
CHECKING / ADDING OIL

Check the oil level before each use and every 8 hours of operation (refer to Table 4).

The oil capacity of the generator engine is 20.0 fl. ounces. Add oil when the oil level is low. For proper type and weight of oil refer to “add oil” portion of the “Generator Preparation” section. This is a critical step for proper engine starting. The generator is equipped with a with low-oil shut down to protect it from running without oil.

To check the oil level and add oil:

1. Make sure the generator is on a level surface. Do not tilt the generator, as oil will flow into engine areas and cause damage. Keep generator level!
2. Remove the dipstick and wipe it with a clean rag.
3. Insert the dipstick into the oil fill opening without screwing in. Remove the dipstick to check the oil mark (Fig. 13). Add oil if the oil mark covers less than one half of the dipstick.
4. Using a funnel or appropriate dispenser, slowly add more oil. Repeat the step above until the oil mark reaches the top of the dipstick. Do not over fill.
5. Reinstall dipstick and wipe clean any spilled oil with a rag.



DRAINING THE CARBURETOR

We recommend draining the carburetor after every use and before storing the generator. Draining the carburetor can prevent the fuel from clogging up the carburetor; a clogged carburetor can prevent the generator from starting.

1. With the help of another person, place the generator on an elevated platform such as a table or desk.

2. Make sure that the engine switch is pressed to OFF and the fuel valve is in the OFF position. This will allow only the fuel left inside the carburetor will be drained out.

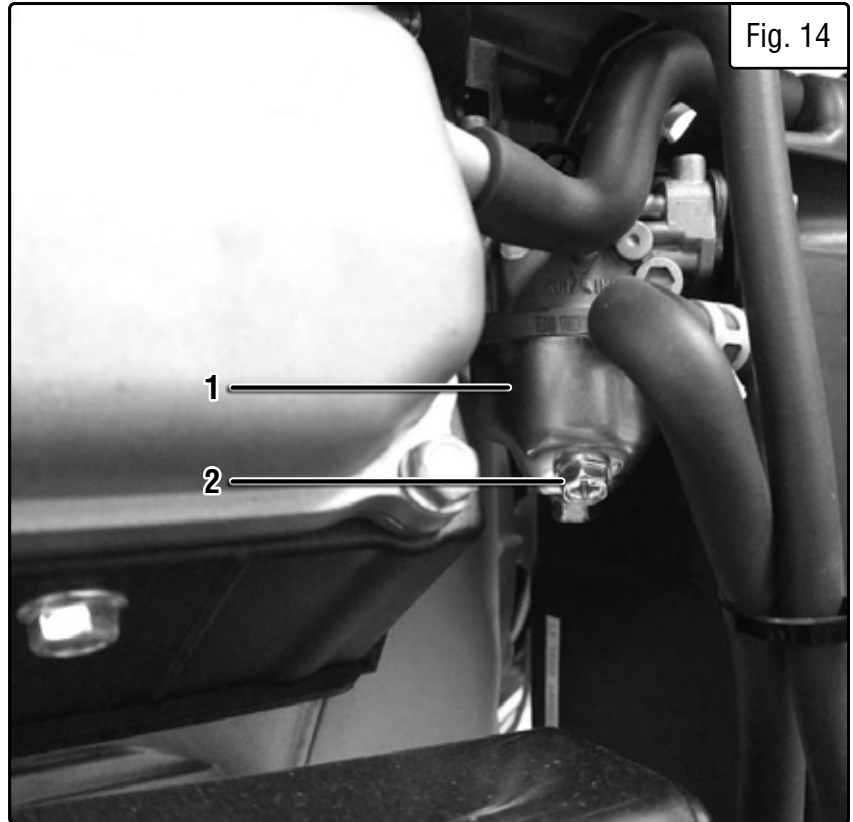
3. The carburetor (Fig. 14 - 1) can be accessed on the left of the generator, right behind the air filter.

4. Prepare an approved gasoline-storage container and a funnel.

5. Open up the carburetor drain screw (Fig. 16 - 2) with a Phillips-head screwdriver and drain out any gasoline that has built up inside the carburetor through the included funnel into the approved gasoline-storage container.

6. Once the fuel has drained, tighten the drain screw with the screwdriver.

NOTE: Make sure to drain your carburetor before storing the generator for long periods of time.



AIR FILTER MAINTENANCE

Check every 50 hours of operation (refer to Table 4 - Recommended Maintenance Schedule).

Routine maintenance of the air filter helps maintain proper airflow to the carburetor. Occasionally check that the air cleaner is free of excessive dirt.

To inspect and clean the air filter:

1. Remove the air filter cover (Fig. 15 - 1) by unscrewing the cover lock knob (Fig. 15 - 2) at the bottom of the air filter cover.

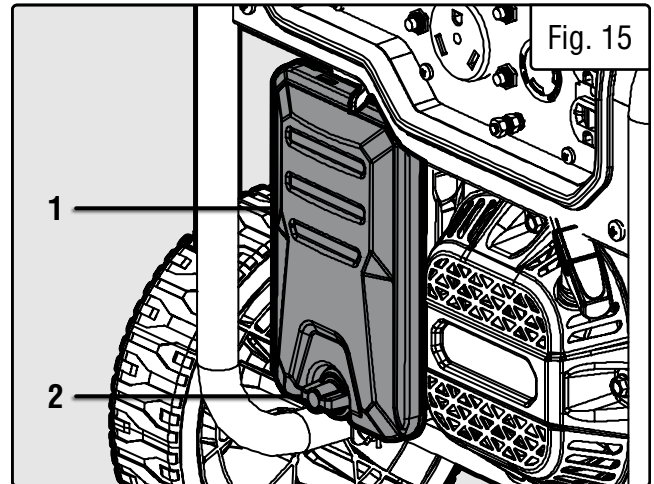
2. Remove the foam, sponge-like air filter element from the casing. Wipe excessive oil and any dirt from inside of the air filter casing.

3. Check the foam, sponge-like air filter element.

a) **Good elements** can be washed in soapy water. Dry the element in clean cloth (do not twist it). Add a few drops of engine oil to the air filter element and spread it evenly. A small amount of oil left in the element is normal and necessary for the engine to work properly.

b) **Damaged elements** should be replaced with a new one. Replacement air filters can be purchased from wenproducts.com by searching **part number GN5600-137**.

4. Reinstall the air filter element and air filter cover.



⚠ WARNING! Running the engine with a dirty, damaged or missing air filter element can result in danger to the operator and cause the engine to wear out prematurely.

SPARK ARRESTOR MAINTENANCE

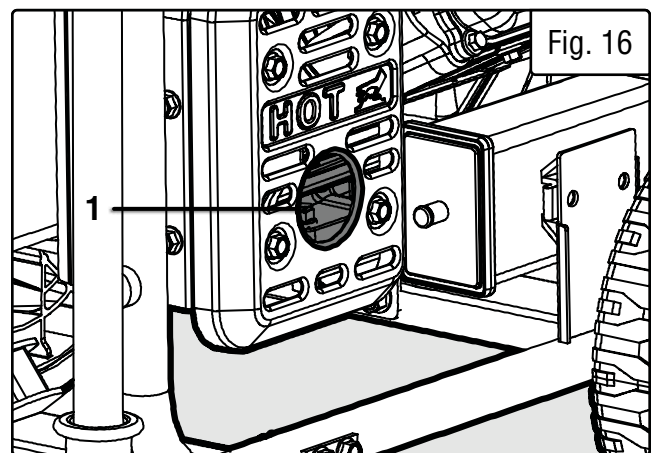
Inspect and clean the spark arrestor every 100 hours of operation. The spark arrestor is located outside the muffler, which gets very hot during operation. Allow the engine to cool completely before servicing the spark arrestor. To inspect and clean the spark arrestor:

1. Remove the two Phillips-head screws that secure the spark arrestor to the muffler (Fig. 16 - 1).

2. Remove the spark arrestor screen.

3. Carefully clean and remove the carbon deposits from the spark arrestor screen with a wire brush. Replace the spark arrestor if it is damaged (replacement spark arrestors can be purchased from wenproducts.com by searching the **part no. GN5600-089**).

4. Reinstall the spark arrestor in the muffler and secure it in place with the screws.



SPARK PLUG MAINTENANCE

Refer to Recommended Maintenance Schedule in Table 4 for maintaining the spark plug. The spark plug is important for proper engine operation. Check the spark plug regularly to maintain proper engine operation. A good spark plug should be intact, free of deposits, and properly gapped.

To inspect or replace the spark plug:

1. Gently pull on the spark plug boot (Fig. 17 - 1) to remove it. Be careful not to tear any insulation or wire.

2. Use the included spark plug socket (Fig. 18) to unscrew and then carefully remove the spark plug from the engine.

TIP: There is limited space for the wrench to turn. Use both rows of holes in the spark plug wrench to gain leverage to loosen the plug.

3. Visually inspect the spark plug. If it is cracked or chipped, or if the electrodes are worn or burned, discard it and replace with a new spark plug.

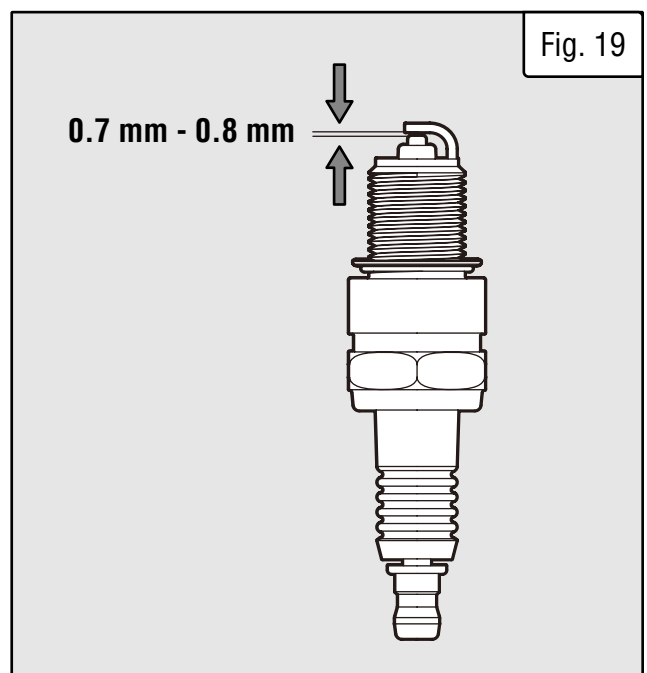
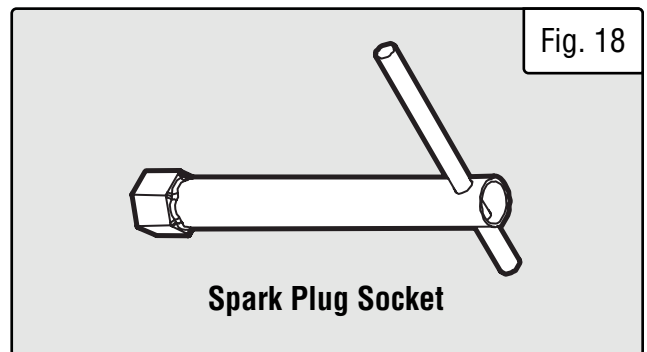
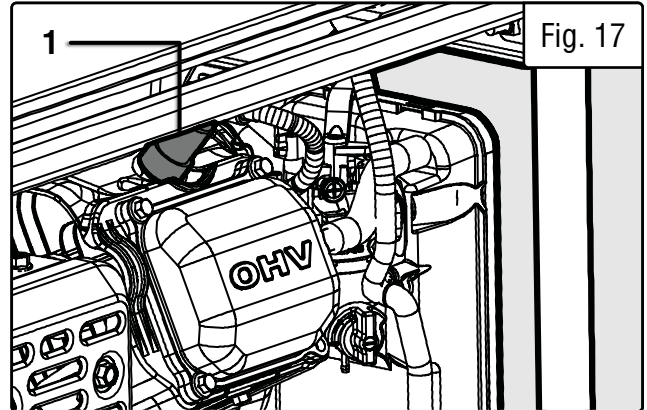
We recommend replacing with a Torch F7TC (NGK BP7ES) spark plug (**part no. GN5600-121**), available for purchase at wenproducts.com.

4. If re-using the spark plug, use a wire brush to clean any dirt from around the spark plug base, then re-gap the spark plug.

5. Measure the plug gap with a spark plug gap gauge. The gap should be 0.028 in. - 0.031 in. (0.7mm - 0.8mm) (Fig. 19). Carefully adjust the gap if necessary.

6. Screw the spark plug back into the spark plug hole using the spark plug wrench. Do not over-tighten spark plug. Recommended tightening of spark plug is 20 - 22 ft-lbs (27 - 30 Nm).

7. Reinstall the spark plug boot, spark plug rubber cover, and service panel.



MAINTENANCE

DRAINING / CHANGING OIL

Change the oil according to the Recommended Maintenance Schedule in Table 4. Change the oil MORE OFTEN if operating under heavy load or high ambient temperatures. It is also necessary to drain the oil from the crankcase if it has become contaminated with water or dirt. Changing the oil when the engine is warm allows for more-complete drainage.

To change engine oil:

1. With the help of another person, place the generator on an elevated platform such as table or workbench.

NOTE: To avoid possible gasoline spills from the carburetor bowl, drain the carburetor before draining oil.

2. Prepare an approved oil-storage container and place it below the oil drainage bolt (Fig. 20 - 1) to catch oil as it drains.

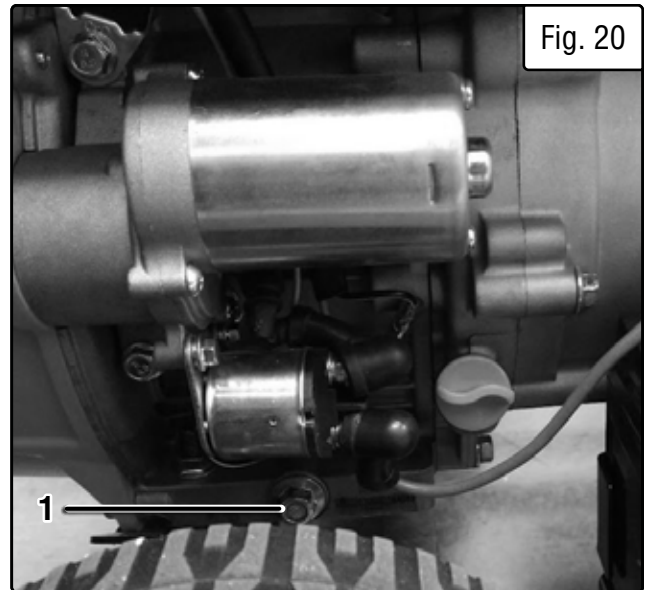
4. Use a 10mm socket to loosen and remove the oil drainage bolt, and allow oil to drain from the engine completely.

5. Replace and tighten the oil drainage bolt after the oil has drained.

NOTE: Never dispose of used engine oil in the trash or down a drain. Please call a local recycling center or auto garage to arrange proper oil disposal.

6. Unscrew the oil dipstick. Using a funnel or appropriate dispenser, add 20 fl. oz. (0.60 L) of clean engine oil into the oil fill. Check the oil level periodically using the dipstick. Do not over fill.

TIP: Your WEN generator is compatible with the **WEN 55201 Magnetic Oil Dipstick** (not included), available for purchase at wenproducts.com. The dipstick's industrial-strength magnetic tip will collect metal shavings from your generator's oil compartment to help preserve the engine and extend your generator's lifespan.



DRAINING THE FUEL TANK

Drain and clean the fuel tank each year, or before storing the generator for longer than two months.

To drain the fuel tank and carburetor:

1. Locate the carburetor (Fig. 21 - 1). It can be accessed on the back of the generator, right beside the air filter.
2. Prepare an approved gasoline-storage container and a funnel.
3. Remove the fuel cap (Fig. 22 - 1) and turn the fuel valve (Fig. 23 - 1) ON.
4. Open up the carburetor drain screw (Fig. 21 - 2) with a Phillips screwdriver. Fuel will start draining from the carburetor and fuel tank through the funnel.

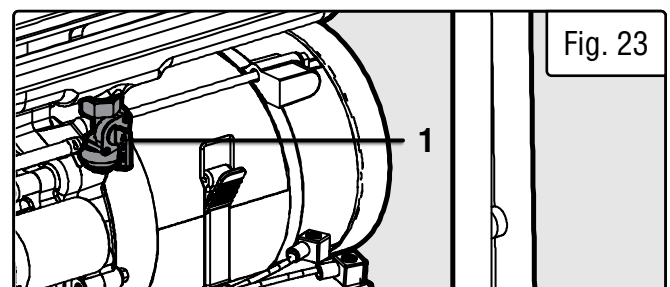
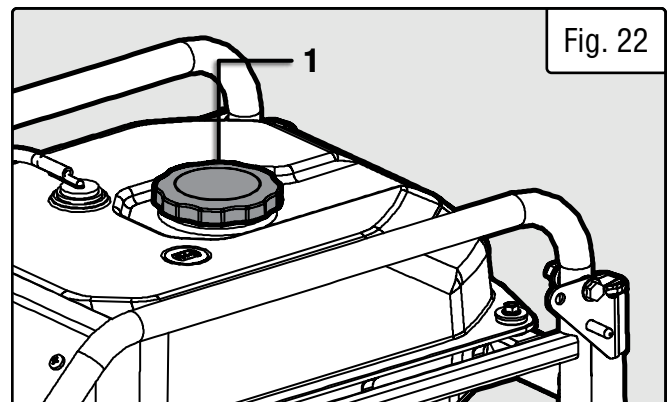
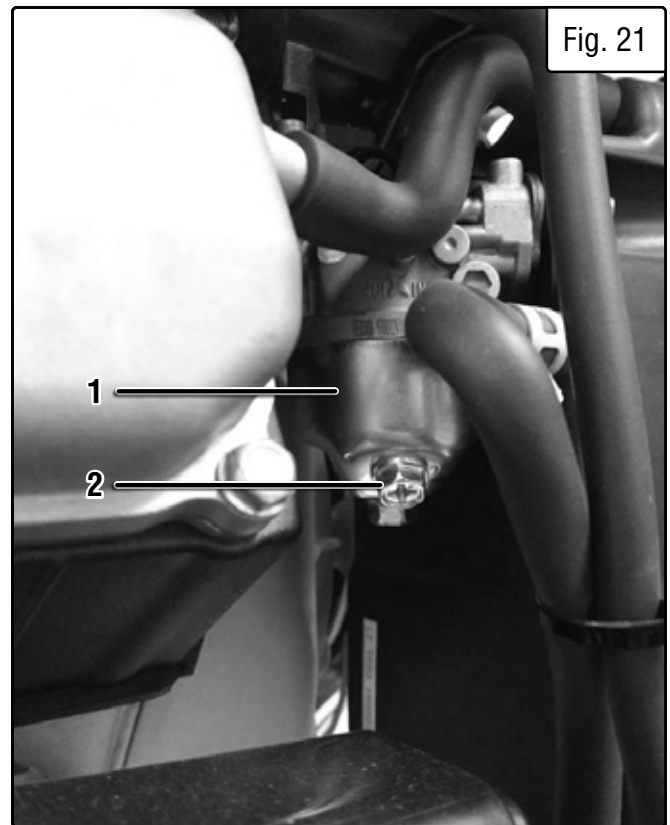
NOTE: The draining process may take a few hours, depending on the amount of fuel in your gas tank.

5. Once fuel is completely drained from the tank, reinstall the fuel cap and turn the fuel valve OFF. Tighten the drain screw with the screwdriver.

6. Start and run the generator until the fuel runs out.

7. Store the emptied gasoline in a suitable place. DO NOT store flammable materials near the gasoline.

CAUTION: Store the emptied gasoline in a suitable place. Never store fuel for more than 2 months.




TRANSPORTATION & STORAGE

TRANSPORTING THE GENERATOR

To prevent fuel spillage when transporting, be sure to perform the following:

1. Tighten the fuel cap.
2. Push the engine switch to OFF.
3. Drain the fuel tank if possible. Refer to section "DRAINING THE FUEL TANK."
4. Keep the generator upright. Never place the generator on its side or upside down - doing so could damage the internal components of the generator and make it difficult to start.

 **WARNING!** Avoid direct sunlight inside a vehicle. If the generator is left in an enclosed vehicle for many hours, the high temperature could cause the fuel to vaporize and result in a possible explosion.

STORING THE GENERATOR

Shut off the generator and allow the unit to cool to room temperature before storing it. NEVER place any type of storage cover on the generator while it is still hot. Do not obstruct any ventilation openings.


Follow the procedures below for properly storing your generator. We highly recommend running your generator once a month for 20 to 30 minutes. Plug in a small load in to ensure there is proper power output.

For Short Periods (30 to 60 Days):

- Drain the carburetor.
- **Add fuel stabilizer:** Follow the suggested portions and instructions of your preferred stabilizer. Run the engine for 15 to 20 minutes, allowing the fuel stabilizer to mix with the gasoline and circulate through the carburetor, and then top off with fuel. Filling the fuel tank full reduces the amount of air in the tank and helps fight deterioration of fuel.

For Extended Periods (Over 60 Days):

- Drain the fuel tank and carburetor (see "DRAINING THE FUEL TANK"). Never store generator with fuel in the tank for more than two months.
- Change the engine oil (see "CHANGING OIL").

 **WARNING!** Store the generator upright in a cool and dry location, away from sources of heat, open flames, sparks or pilot lights.

PRODUCT DISPOSAL

Do not dispose of a used generator or parts with your household waste. This product contains electrical or electronic components that should be recycled. Please take this product to your local recycling facility for responsible disposal to minimize its environmental impact.

Do not dispose of used oil or fuel in the trash or down a drain. Please contact your local recycling center or auto garage to arrange proper oil/fuel disposal.



Please recycle the packaging and electronic components where facilities exist. Please contact your local auto garage or recycling facility to properly dispose of oil/fuel.

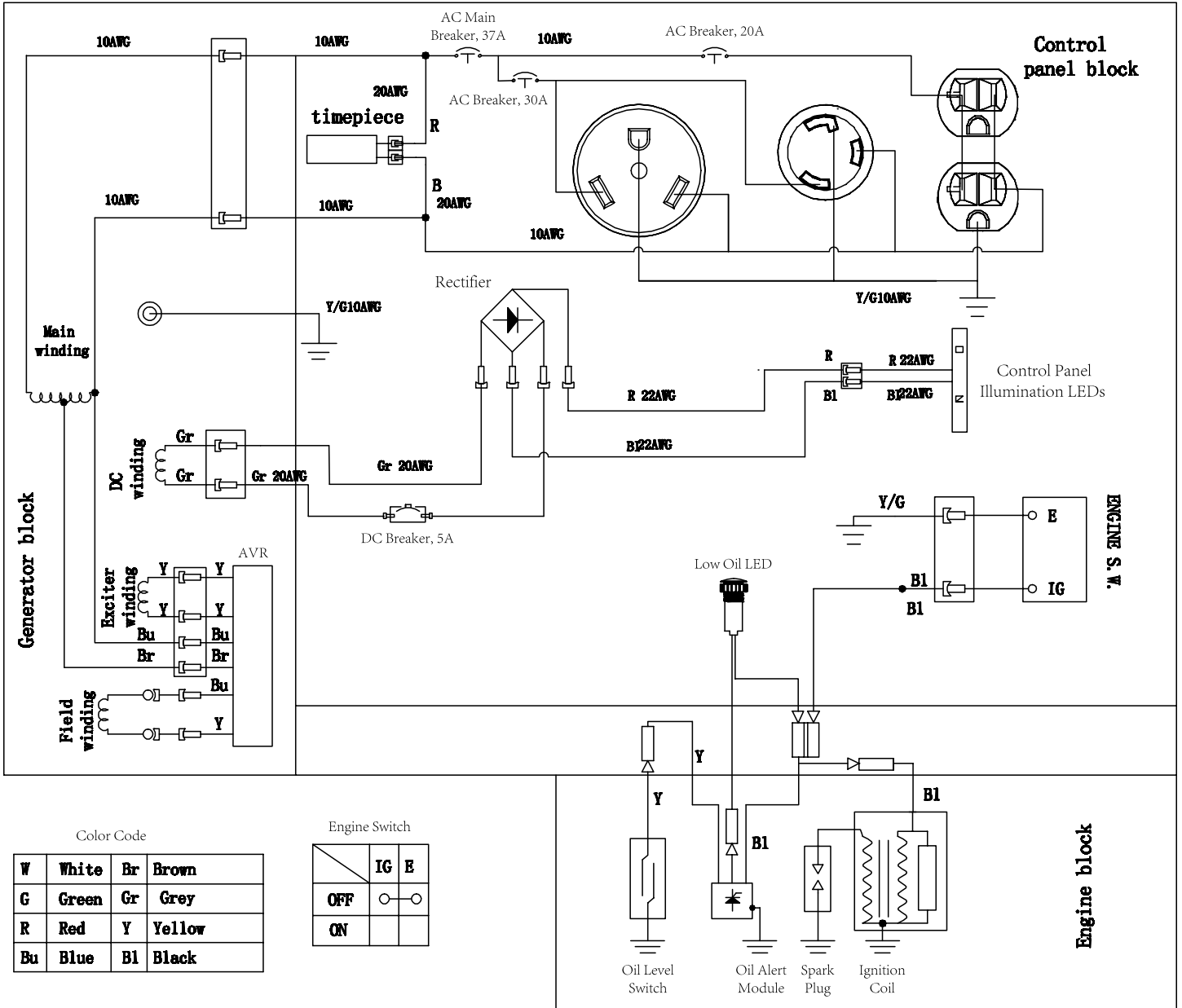
TROUBLESHOOTING GUIDE

⚠ WARNING! Stop using the generator immediately if any of the following problems occur or risk serious personal injury. If you have any questions, please contact customer service at **1-847-429-9263** (M-F 8-5 CST), or email techsupport@wenproducts.com.

PROBLEM	POSSIBLE CAUSE	SOLUTION
Engine will not start.	1. CHOKE lever is in wrong position.	1. Set switch to CHOKE if engine is cold and RUN if engine is warm.
	2. Engine switch is set to OFF.	2. Turn engine switch to ON.
	3. Oil is low.	3. Add oil.
	4. Engine is out of fuel.	4. Add fuel.
	5. Engine is filled with contaminated or old fuel.	5. Drain fuel in the tank and carburetor. Replace with fresh fuel.
	6. Spark plug is dirty or broken.	6. Clean or replace spark plug.
	7. Carburetor is air locked.	7. Turn the fuel valve OFF. Remove bolt from bottom of the carburetor. Take off the carburetor bowl to allow it to reset. Replace carburetor bowl and reinstall the bolt.
	8. Ghost in the generator.	8. Persuade ghost to leave. Consult Bill Murray if needed.
Engine runs but there is no electrical output.	1. Breaker has tripped due to wattage overload.	1. Turn off and unplug all electrical devices. Wait 3 minutes, and press the activated breaker to reset. Check the total wattage of the devices and reduce the load if it exceeds the capacity of the generator.
	2. Bad connecting cord or wire.	2. Check power cords & extension cords. Do not use if any cord is damaged. Replace damaged cords immediately.
	3. Bad electrical device connected to the generator.	3. Try connecting a different device.
Generator runs, but does not support all electrical devices connected.	1. AC or DC receptacles are overloaded; circuit breaker has tripped.	1. Turn off and unplug all electrical devices. Wait 3 minutes, then press the breaker to reset. Check the amperage of the devices to ensure they are within the receptacles' rated capacities.
	2. Short circuit in one of the devices.	2. Disconnect any faulty or short-circuited electrical devices.
	3. Air filter is dirty.	3. Clean or replace the air filter element.
Engine is "hunting" during operation (engine RPM is fluctuating).	1. Gasoline is not running through fuel valve.	1. Make sure there is enough fuel. Make sure the CHOKE lever is turned to RUN.
	2. Air filter is dirty.	2. Clean or replace the air filter element.
	3. Spark arrestor is dirty.	3. Clean the spark arrestor.
	4. There is gunk in the carburetor preventing a consistent fuel/air mixture.	4. Use carburetor cleaner spray on the carburetor bowl and jets.

IMPORTANT: Repairs and replacements should only be performed by an authorized technician. Parts and accessories that wear down over the course of normal use are not covered by the three-year warranty.

WIRING DIAGRAM



Color Code

W	White	Br	Brown
G	Green	Gr	Grey
R	Red	Y	Yellow
Bu	Blue	B1	Black

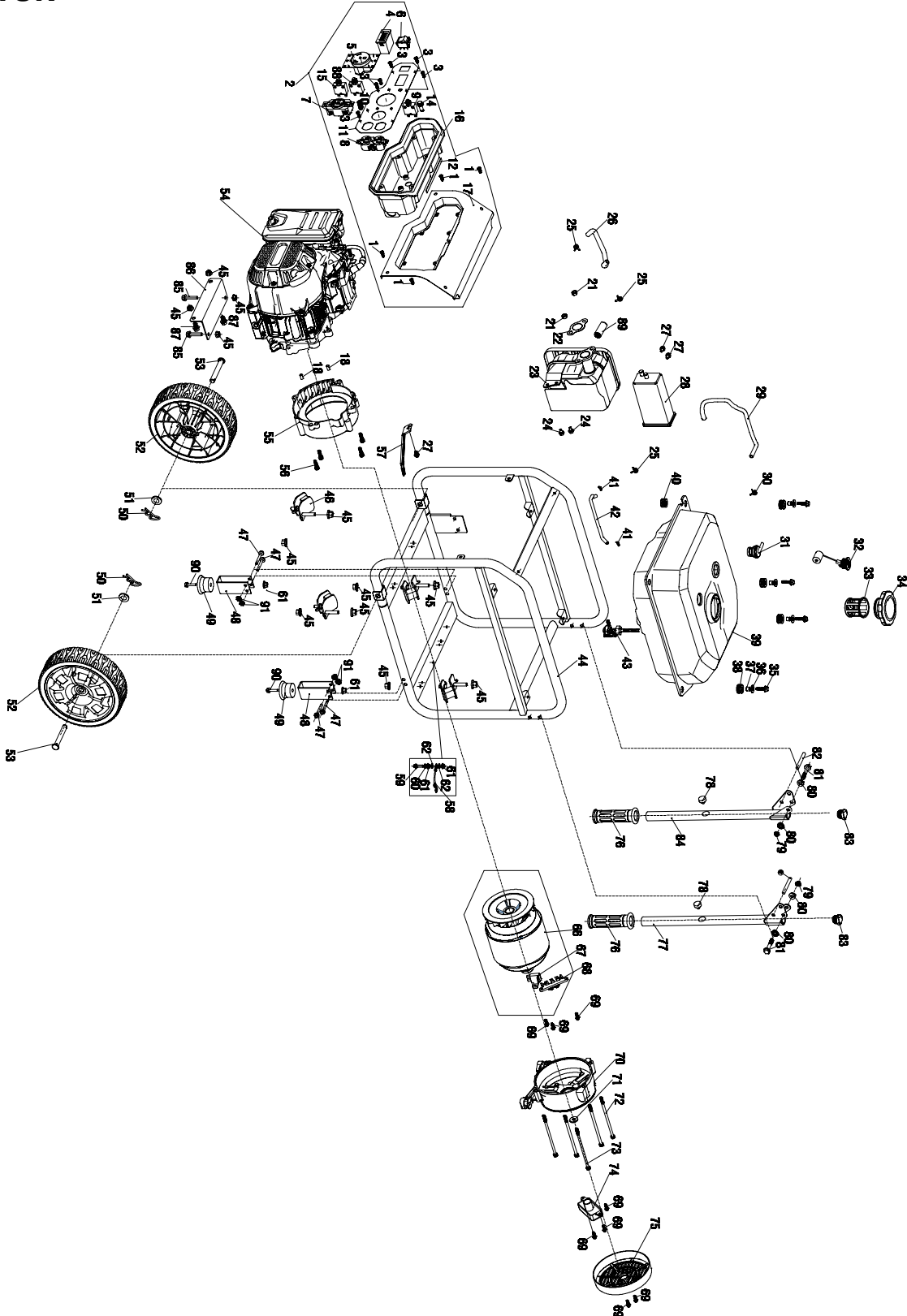
Engine Switch

	IG	E
OFF	○	○
ON		

EXPLODED VIEW & PARTS LIST

NOTE: Replacement parts can be purchased from wenproducts.com, or by calling our customer service at **1-847-429-9263**, M-F 8-5 CST. Parts and accessories that wear down over the course of normal use are not covered by the three-year warranty. Not all parts may be available for purchase.

GENERATOR



EXPLODED VIEW & PARTS LIST

GENERATOR

NO.	PART NO.	DESCRIPTION	QTY.	NO.	PART NO.	DESCRIPTION	QTY.
1	GN5600-001	Phillips Pan Head Screw, M6x10	4	32	GN5600-032	Fuel Gauge	1
2	GN5600-002ASM	Control Panel Assembly	1	33	GN5600-033	Fuel Tank Filter	1
3	GN5600-003	Phillips Pan Head Screw, M5x12	6	34	GN5600-034	Fuel Tank Cap	1
4	GN5600-004	Multi-meter	1	35	GN5600-035	Flanged Hex Bolt, M6x25	4
5	GN5600-005	NEMA TT-30R 120V AC 30A RV Receptacle	1	36	GN5600-036	Flat Washer, 6mm	4
6	GN5600-006	Engine Switch	1	37	GN5600-037	Fuel Tank Vibration Isolation Sleeve	4
7	GN5600-007	NEMA L5-30R 120V AC 30A Receptacle	1	38	GN5600-038	Fuel Tank Vibration Isolation Pad	4
8	GN5600-008	NEMA 5-20R 120V AC 20A Duplex Receptacle	1	39	GN5600-039	Fuel Tank	1
9	GN5600-009	AC Breaker, 37A	1	40	GN5600-040	Protective Sleeve	1
10	GN5600-010	Grounding Lug Assembly	1	41	GN5600-041	Combination Clamp	2
11	GN5600-011	Panel	1	42	GN5600-042	Fuel Hose, ϕ 9.6x440	1
12	GN5600-012	Foam Strip	1	43	GN5600-043	Fuel Valve	1
14	GN5600-014	Low Oil Indicator Light	1	44	GN5600-044	Frame	1
15	GN5600-015	AC Breaker, 20A	1	45	GN5600-045	Flanged Hex Nut, M8	12
16	GN5600-016	Control Panel Housing	1	46	GN5600-046	Engine Mount	1
17	GN5600-017	Control Panel Cover	1	47	GN5600-047	Flanged Hex Bolt, M6x40	4
18	GN5600-018	Dowel Pin	2	48	GN5600-048ASM	Foot Bracket	2
21	GN5600-021	Nut, M8	2	49	GN5600-049	Foot Pad	2
22	GN5600-022	Muffler Gasket	1	50	GN5600-050	Cotter Pin	2
23	GN5600-023	Muffler	1	51	GN5600-051	Flat Washer	2
24	GN5600-024	Bolt, M6x16	2	52	GN5600-052	Wheel	2
25	GN5600-025	Clamp Hose, ϕ 12	3	53	GN5600-053	Wheel Axle	2
26	GN5600-026	Carbon Tank Hose 1	1	54	GN5600-054ASM	Engine Assembly	1
27	GN5600-027	Bolt, M6x12	3	55	GN5600-055	Alternator Front Cover	1
28	GN5600-028	Carbon Tank	1	56	GN5600-056	Flanged Hex Bolt, M8x32	4
29	GN5600-029	Carbon Tank Hose 2	1	57	GN5600-057	Air Filter Bracket	1
30	GN5600-030	Hose Clamp, 10mm	1	58	GN5600-058	Grounding Wire	1
31	GN5600-031	Breather Valve	1	59	GN5600-059	Flanged Hex Bolt, M6x20	1
				60	GN5600-060	Lock Washer, 6mm	1

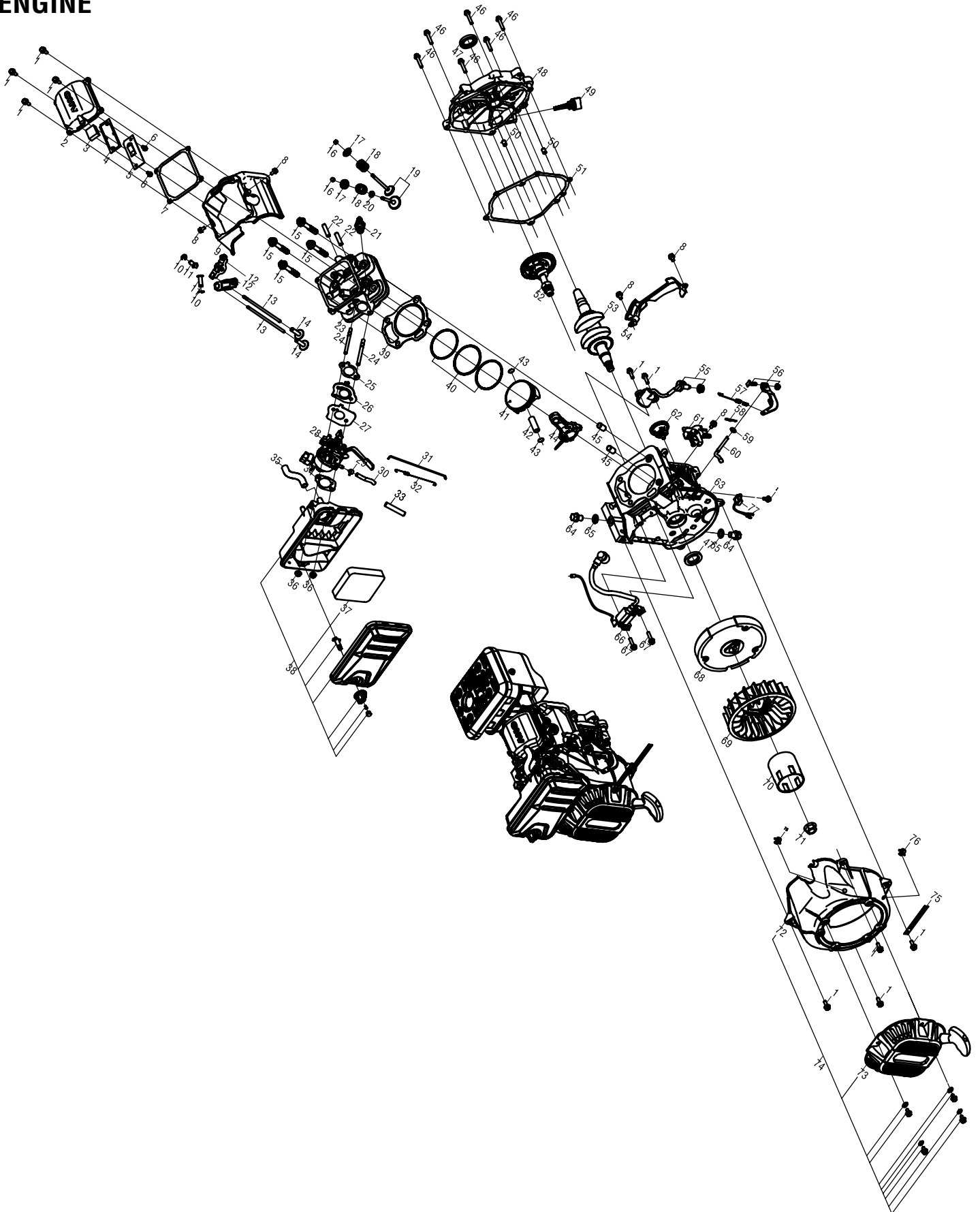
EXPLODED VIEW & PARTS LIST

GENERATOR

NO.	PART NO.	DESCRIPTION	QTY.	NO.	PART NO.	DESCRIPTION	QTY.
61	GN5600-061	Flanged Hex Nut, M6	4	78	GN5600-078	Handle Vibration Isolation Pad	2
62	GN5600-062	Flat Washer, 6mm	2	79	GN5600-079	Nut, M8	2
66	GN5600-066	Alternator Assembly	1	80	GN5600-080	Flat Washer, 8mm	4
67	GN5600-067	Carbon Brush Assembly	1	81	GN5600-081	Flanged Hex Bolt, M8x48	2
68	GN5600-068	Terminal Block	1	82	GN5600-082	Pin	2
69	GN5600-069	Flanged Hex Bolt, M5x6	8	83	GN5600-083	Plug	2
70	GN5600-070	Alternator Bracket	1	84	GN5600-084ASM	Right Handle Assembly	1
71	GN5600-071	Flat Washer, 8.5mm	1	85	GN5600-085	Flanged Hex Bolt, M8x35	2
72	GN5600-072	Flanged Hex Bolt, M5x160	4	86	GN5600-086	Shipping Bracket	1
73	GN5600-073	Hex Bolt, M8x215	1	87	GN5600-087	Flanged Hex Bolt, M8x16	2
74	GN5600-074	Voltage Regulator	1	88	GN5600-088	AC Breaker, 30A	1
75	GN5600-075	Alternator Cover	1	89	GN5600-089	Spark Arrestor	1
76	GN5600-076	Handle Grips	2	90	GN5600-090	Flanged Hex Bolt, M6x28	2
77	GN5600-077ASM	Left Handle Assembly	1	91	GN5600-091	Flanged Hex Nut, M6	4

EXPLODED VIEW & PARTS LIST

ENGINE



EXPLODED VIEW & PARTS LIST

ENGINE

NO.	PART NO.	DESCRIPTION	QTY.
1	GN5600-101	Flanged Hex Bolt, M6x16	11
2	GN5600-102	Cylinder Head Cover	1
3	GN5600-103	Oil Filter Block	1
4	GN5600-104	Breather Cover Plate Gasket	1
5	GN5600-105	Breather Cover Plate	1
6	GN5600-106	Flanged Hex Bolt, M5x10	2
7	GN5600-107	Cylinder Head Cover Gasket	1
8	GN5600-108	Flanged Hex Bolt, M6x10	5
9	GN5600-109	Cylinder Head Cowling	1
10	GN5600-110	Lock Washer, 7mm	2
11	GN5600-111	Rocker Arm Shaft Assembly	2
12	GN5600-112	Rocker Arm Assembly	2
13	GN5600-113	Push Rod	2
14	GN5600-114	Valve Lifter	2
15	GN5600-115	Flanged Hex Bolt, M10-1.25x65	4
16	GN5600-116	Valve Rotator	2
17	GN5600-117	Valve Spring Retainer	2
18	GN5600-118	Valve Spring	2
19	GN5600-119	Valve Set	1
20	GN5600-120	Valve Stem Seal	1
21	GN5600-121	Spark Plug, Torch F7TC (NGK BP7ES)	1
22	GN5600-122	Stud	2
23	GN5600-123	Cylinder Head	1
24	GN5600-124	Stud	2
25	GN5600-125	Carburetor Insulator Gasket	1

NO.	PART NO.	DESCRIPTION	QTY.
26	GN5600-126	Carburetor Insulator	1
27	GN5600-127	Carburetor Gasket	1
28	GN5600-128	Carburetor Assembly	1
29	GN5600-129	Hose Clamp	1
30	GN5600-130	Fuel Tube	1
31	GN5600-131	Governor Rod	1
32	GN5600-132	Throttle Return Spring	1
33	GN5600-133	Fuel Tube Sleeve	1
34	GN5600-134	Air Filter Gasket	1
35	GN5600-135	Breather Tube	1
36	GN5600-136	Flanged Hex Nut, 6mm	2
37	GN5600-137	Air Filter Element	1
38	GN5600-138ASM	Air Filter Assembly	1
39	GN5600-139	Cylinder Head Gasket	1
40	GN5600-140	Piston Ring Set	1
41	GN5600-141	Piston	1
42	GN5600-142	Piston Pin	1
43	GN5600-143	Piston Pin Clip	2
44	GN5600-144	Connecting Rod Assembly	1
45	GN5600-145	Dowel Pin	2
46	GN5600-146	Flanged Hex Bolt, M8x32	6
47	GN5600-147	Oil Seal	2
48	GN5600-148	Crankcase Cover	1
49	GN5600-149	Oil Dipstick Assembly	1
50	GN5600-150	Dowel Pin	2
51	GN5600-151	Crankcase Cover Gasket	1
52	GN5600-152	Camshaft Assembly	1
53	GN5600-153	Crankshaft Assembly	1
54	GN5600-154	Crankshaft Cowling	1

EXPLODED VIEW & PARTS LIST

ENGINE

NO.	PART NO.	DESCRIPTION	QTY.	NO.	PART NO.	DESCRIPTION	QTY.
55	GN5600-155	Oil Level Sensor	1	67	GN5600-167	Flanged Hex Bolt, M6x25	2
56	GN5600-156	Governor Arm	1	68	GN5600-168	Flywheel	1
57	GN5600-157	Governor Spring	1	69	GN5600-169	Fan	1
58	GN5600-158	Clip	1	70	GN5600-170	Starter Cup	1
59	GN5600-159	Washer	1	71	GN5600-171	Flanged Hex Nut, M14-1.5	1
60	GN5600-160	Governor Pivot Arm	1	72	GN5600-172	Housing	1
61	GN5600-161	Control Arm Assembly	1	73	GN5600-173	Recoil Starter	1
62	GN5600-162	Governor Gear	1	74	GN5600-174ASM	Recoil Starter Assembly	1
63	GN5600-163	Crankcase	1	75	GN5600-175	Clip	1
64	GN5600-164	Drain Bolt, M12-1.5x15	2	76	GN5600-176	Cable Clip	2
65	GN5600-165	Washer, 12mm	2	77	GN5600-177	Oil Alert Module	1
66	GN5600-166	Ignition Coil	1				

WARRANTY STATEMENT

WEN Products is committed to building tools that are dependable for years. Our warranties are consistent with this commitment and our dedication to quality.

LIMITED WARRANTY OF WEN PRODUCTS FOR HOME USE

GREAT LAKES TECHNOLOGIES, LLC (“Seller”) warrants to the original purchaser only, that this WEN consumer product will be free from defects in material or workmanship during personal use for a period of three (3) years from date of purchase or 500 hours of use; whichever comes first. Ninety days for all WEN products if the tool is used for professional or commercial use. Purchaser has 30 days from the date of purchase to report missing or damaged parts. Parts and labor are covered for one (1) year under this limited warranty; parts only are covered for three (3) years under this limited warranty.

SELLER’S SOLE OBLIGATION AND YOUR EXCLUSIVE REMEDY under this Limited Warranty and, to the extent permitted by law, any warranty or condition implied by law, shall be the replacement of parts, without charge, which are defective in material or workmanship and which have not been subjected to misuse, alteration, careless handling, misrepair, abuse, neglect, normal wear and tear, improper maintenance, improper storage, incorrect lubricants / fuels, or other conditions adversely affecting the Product or the component of the Product, whether by accident or intentionally, by persons other than Seller. To make a claim under this Limited Warranty, you must make sure to keep a copy of your proof of purchase that clearly defines the Date of Purchase (month and year) and the Place of Purchase. Place of Purchase must be a direct vendor of Great Lakes Technologies, LLC. Purchasing through third party vendors, including but not limited to garage sales, pawn shops, resale shops, or any other secondhand merchant, voids the warranty included with this product. Contact techsupport@wenproducts.com or 1-847-429-9263 with the following information to make arrangements: your shipping address, phone number, serial number, required part numbers, and proof of purchase. Damaged or defective parts and products may need to be sent to WEN before the replacements can be shipped out.

Upon the confirmation of a WEN representative, your product may qualify for repairs and service work. When returning a product for warranty service, the shipping charges must be prepaid by the purchaser. The product must be shipped in its original container (or an equivalent), properly packed to withstand the hazards of shipment. The product must be fully insured with a copy of the proof of purchase enclosed. There must also be a description of the problem in order to help our repairs department diagnose and fix the issue. Repairs will be made and the product will be returned and shipped back to the purchaser at no charge for addresses within the contiguous United States.

THIS LIMITED WARRANTY DOES NOT APPLY TO ITEMS THAT WEAR OUT FROM REGULAR USAGE OVER TIME, INCLUDING FILTERS, SPARK PLUGS, VOLTAGE REGULATORS, BRUSHES, GASKETS, O-RINGS, WHEEL KITS, BATTERIES, RECOIL STARTERS, HIGH PRESSURE HOSES, SPRAY GUNS, ETC. ANY IMPLIED WARRANTIES SHALL BE LIMITED IN DURATION TO THREE (3) YEARS FROM DATE OF PURCHASE. SOME STATES IN THE U.S. AND SOME CANADIAN PROVINCES DO NOT ALLOW LIMITATIONS ON HOW LONG AN IMPLIED WARRANTY LASTS, SO THE ABOVE LIMITATION MAY NOT APPLY TO YOU.

IN NO EVENT SHALL SELLER BE LIABLE FOR ANY INCIDENTAL OR CONSEQUENTIAL DAMAGES (INCLUDING BUT NOT LIMITED TO LIABILITY FOR LOSS OF PROFITS) ARISING FROM THE SALE OR USE OF THIS PRODUCT. SOME STATES IN THE U.S. AND SOME CANADIAN PROVINCES DO NOT ALLOW THE EXCLUSION OR LIMITATION OF INCIDENTAL OR CONSEQUENTIAL DAMAGES, SO THE ABOVE LIMITATION OR EXCLUSION MAY NOT APPLY TO YOU.

THIS LIMITED WARRANTY GIVES YOU SPECIFIC LEGAL RIGHTS, AND YOU MAY ALSO HAVE OTHER RIGHTS WHICH VARY FROM STATE TO STATE IN THE U.S., PROVINCE TO PROVINCE IN CANADA AND FROM COUNTRY TO COUNTRY.

THIS LIMITED WARRANTY APPLIES ONLY TO ITEMS SOLD WITHIN THE UNITED STATES OF AMERICA, CANADA AND THE COMMONWEALTH OF PUERTO RICO. FOR WARRANTY COVERAGE WITHIN OTHER COUNTRIES, CONTACT THE WEN CUSTOMER SUPPORT LINE. FOR WARRANTY PARTS OR PRODUCTS REPAIRED UNDER WARRANTY SHIPPING TO ADDRESSES OUTSIDE OF THE CONTIGUOUS UNITED STATES, ADDITIONAL SHIPPING CHARGES MAY APPLY.