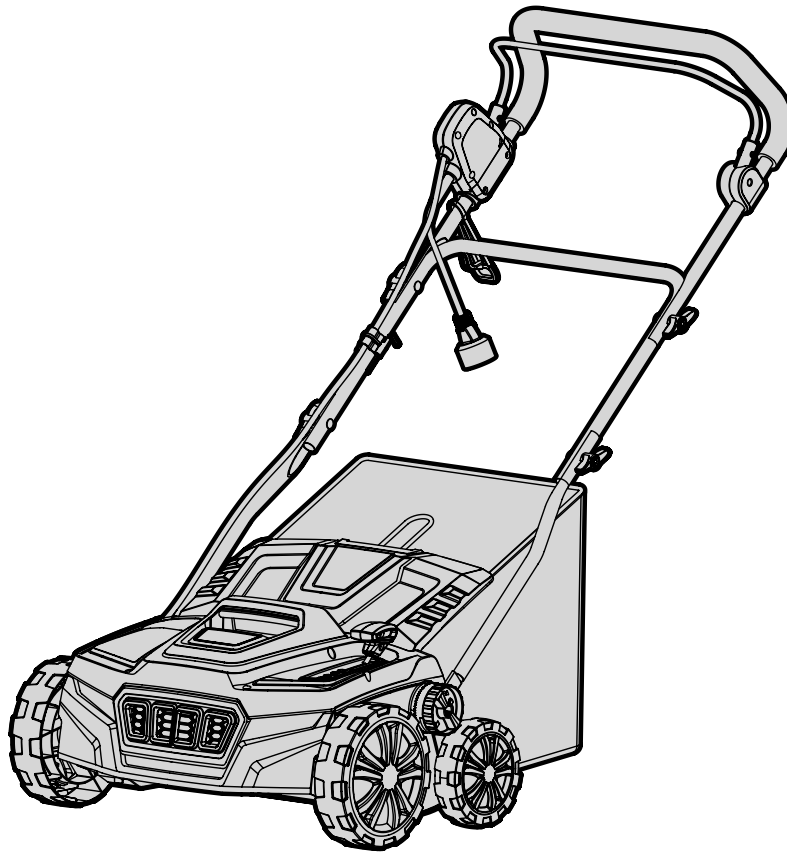




MODEL DT1315

15-INCH DETHATCHER & SCARIFIER

Instruction Manual



NEED HELP? CONTACT US!

Have product questions? Need technical support? Please feel free to contact us:



1-847-429-9263 (M-F 8AM-5PM CST)



TECHSUPPORT@WENPRODUCTS.COM

IMPORTANT: Your new tool has been engineered and manufactured to WEN's highest standards for dependability, ease of operation, and operator safety. When properly cared for, this product will supply you years of rugged, trouble-free performance. Pay close attention to the rules for safe operation, warnings, and cautions. If you use your tool properly and for its intended purpose, you will enjoy years of safe, reliable service.

For replacement parts and the most up-to-date instruction manuals, visit ***WENPRODUCTS.COM***

CONTENTS


WELCOME	3
Introduction	3
Specifications.....	3
SAFETY	4
General Safety Rules.....	4
Dethatcher and Scarifier Safety Warnings.....	6
Electrical Information.....	8
BEFORE OPERATING	9
Unpacking & Packing List.....	9
Know Your Dethatcher and Scarifier	10
Assembly & Adjustment.....	11
OPERATION & MAINTENANCE	13
Operation	13
Maintenance.....	15
Troubleshooting Guide.....	17
Exploded View & Parts List.....	18
Warranty Statement	24

To purchase replacement parts or accessories for your tool, visit **WENPRODUCTS.COM**

50 ft. Extension Cord (Model PC5012)

INTRODUCTION

Thanks for purchasing the WEN Dethatcher and Scarifier. We know you are excited to put your tool to work, but first, please take a moment to read through the manual. Safe operation of this tool requires that you read and understand this operator's manual and all the labels affixed to the tool. This manual provides information regarding potential safety concerns, as well as helpful assembly and operating instructions for your tool.

 **SAFETY ALERT SYMBOL:** Indicates danger, warning, or caution. The safety symbols and the explanations with them deserve your careful attention and understanding. Always follow the safety precautions to reduce the risk of fire, electric shock or personal injury. However, please note that these instructions and warnings are not substitutes for proper accident prevention measures.

NOTE: The following safety information is not meant to cover all possible conditions and situations that may occur. WEN reserves the right to change this product and specifications at any time without prior notice.

At WEN, we are continuously improving our products. If you find that your tool does not exactly match this manual, please visit wenproducts.com for the most up-to-date manual or contact our customer service at **1-847-429-9263**.

Keep this manual available to all users during the entire life of the tool and review it frequently to maximize safety for both yourself and others.

SPECIFICATIONS

Model Number	DT1315
Motor	120V, 60 Hz, 13A
Working Width	15 Inches
Working Depth	+1/4", -1/8", -1/4", -3/8", -1/2"
No Load Speed	3300 RPM
Power Cord	16AWG, 0.35M UL Plug
Blade Count (Scarifier)	16
Steel Tines (Dethatcher)	24
Product Dimensions	39.8 in. x 22.8 in. x 43.7 in.
Product Weight	28.2 Pounds

GENERAL SAFETY RULES

 **WARNING!** Read all safety warnings and all instructions. Failure to follow the warnings and instructions may result in electric shock, fire and/or serious injury.

Safety is a combination of common sense, staying alert and knowing how your item works. The term “power tool” in the warnings refers to your mains-operated (corded) power tool or battery-operated (cordless) power tool.

SAVE THESE SAFETY INSTRUCTIONS.

WORK AREA SAFETY

- 1. Keep work area clean and well lit.** Cluttered or dark areas invite accidents.
- 2. Do not operate power tools in explosive atmospheres, such as in the presence of flammable liquids, gases or dust.** Power tools create sparks which may ignite the dust or fumes.
- 3. Keep children and bystanders away while operating a power tool.** Distractions can cause you to lose control.

ELECTRICAL SAFETY

- 1. Power tool plugs must match the outlet. Never modify the plug in any way. Do not use any adapter plugs with earthed (grounded) power tools.** Unmodified plugs and matching outlets will reduce risk of electric shock.
- 2. Avoid body contact with earthed or grounded surfaces such as pipes, radiators, ranges and refrigerators.** There is an increased risk of electric shock if your body is earthed or grounded.
- 3. Do not expose power tools to rain or wet conditions.** Water entering a power tool will increase the risk of electric shock.
- 4. Do not abuse the cord. Never use the cord for carrying, pulling or unplugging the power tool. Keep cord away from heat, oil, sharp edges or moving parts.** Damaged or entangled cords increase the risk of electric shock.
- 5. When operating a power tool outdoors, use an extension cord suitable for outdoor use.** Use of a cord suitable for outdoor use reduces the risk of electric shock.

- 6. If operating a power tool in a damp location is unavoidable, use a ground fault circuit interrupter (GFCI) protected supply.** Use of a GFCI reduces the risk of electric shock.

PERSONAL SAFETY

- 1. Stay alert, watch what you are doing and use common sense when operating a power tool. Do not use a power tool while you are tired or under the influence of drugs, alcohol or medication.** A moment of inattention while operating power tools may result in serious personal injury.
- 2. Use personal protective equipment. Always wear eye protection.** Protective equipment such as a respiratory mask, non-skid safety shoes and hearing protection used for appropriate conditions will reduce the risk of personal injury.
- 3. Prevent unintentional starting. Ensure the switch is in the off-position before connecting to power source and/or battery pack, picking up or carrying the tool.** Carrying power tools with your finger on the switch or energizing power tools that have the switch on invites accidents.
- 4. Remove any adjusting key or wrench before turning the power tool on.** A wrench or a key left attached to a rotating part of the power tool may result in personal injury.
- 5. Do not overreach. Keep proper footing and balance at all times.** This enables better control of the power tool in unexpected situations.
- 6. Dress properly. Do not wear loose clothing or jewelry. Keep your hair and clothing away from moving parts.** Loose clothes, jewelry or long hair can be caught in moving parts.

GENERAL SAFETY RULES

 **WARNING!** Read all safety warnings and all instructions. Failure to follow the warnings and instructions may result in electric shock, fire and/or serious injury.

Safety is a combination of common sense, staying alert and knowing how your item works. The term “power tool” in the warnings refers to your mains-operated (corded) power tool or battery-operated (cordless) power tool.

SAVE THESE SAFETY INSTRUCTIONS.

7. If devices are provided for the connection of dust extraction and collection facilities, ensure these are connected and properly used. Use of dust collection can reduce dust-related hazards.

POWER TOOL USE AND CARE

1. Do not force the power tool. Use the correct power tool for your application. The correct power tool will do the job better and safer at the rate for which it was designed.

2. Do not use the power tool if the switch does not turn it on and off. Any power tool that cannot be controlled with the switch is dangerous and must be repaired.

3. Disconnect the plug from the power source and/or the battery pack from the power tool before making any adjustments, changing accessories, or storing power tools. Such preventive safety measures reduce the risk of starting the power tool accidentally.

4. Store idle power tools out of the reach of children and do not allow persons unfamiliar with the power tool or these instructions to operate the power tool. Power tools are dangerous in the hands of untrained users.

5. Maintain power tools. Check for misalignment or binding of moving parts, breakage of parts and any other condition that may affect the power tool's operation. If damaged, have the power tool repaired before use. Many accidents are caused by poorly maintained power tools.

6. Keep cutting tools sharp and clean. Properly maintained cutting tools with sharp cutting edges are less likely to bind and are easier to control.

7. Use the power tool, accessories and tool bits, etc. in accordance with these instructions, taking into account the working conditions and the work to be performed. Use of the power tool for operations different from those intended could result in a hazardous situation.

8. Use clamps to secure your workpiece to a stable surface. Holding a workpiece by hand or using your body to support it may lead to loss of control.

9. KEEP GUARDS IN PLACE and in working order.

SERVICE

1. Have your power tool serviced by a qualified repair person using only identical replacement parts. This will ensure that the safety of the power tool is maintained.


CALIFORNIA PROPOSITION 65 WARNING

Some dust created by power sanding, sawing, grinding, drilling, and other construction activities may contain chemicals, including lead, known to the State of California to cause cancer, birth defects, or other reproductive harm. Wash hands after handling. Some examples of these chemicals are:

- Lead from lead-based paints.
- Crystalline silica from bricks, cement, and other masonry products.
- Arsenic and chromium from chemically treated lumber.

Your risk from these exposures varies depending on how often you do this type of work. To reduce your exposure to these chemicals, work in a well-ventilated area with approved safety equipment such as dust masks specially designed to filter out microscopic particles.

DETHATCHER AND SCARIFIER SAFETY WARNINGS

 **WARNING!** Do not operate the power tool until you have read and understood the following instructions and the warning labels.

DETHATCHER AND SCARIFIER SAFETY

1. GROUND FAULT CIRCUIT INTERRUPTER (GFCI) protection should be provided on the circuit or outlet to be used for the machine. Receptacles are available having built-in GFCI protection and may be used.

2. DISCONNECT UNIT from the power supply when not in use or when servicing or cleaning. Do not leave unattended.

3. DON'T ABUSE CORD - Never carry this product by the cord or yank the cord to disconnect from the receptacle. Keep cord away from heat, oil, and sharp edges.

4. USE RIGHT APPLIANCE - Do not use this product for any job except that for which it is intended.

5. DON'T OVERREACH - Guide the dethatcher / scarifier at a walking pace only. Keep proper footing and balance at all times.

6. LIGHTING - Only operate your dethatcher / scarifier in daylight or good artificial light.

7. STORE IDLE UNIT INDOORS - When not in use, the dethatcher / scarifier should be stored indoors in a dry area out of children's reach.

8. MAINTAIN UNIT WITH CARE - Keep clean for best performance and to reduce the risk of injury. Inspect extension cord periodically and replace if damaged. Keep handles dry, clean and free from oil.

9. POLARIZED PLUGS - To reduce the risk of electric shock, this product has a polarized plug. Polarized connections will fit together only one way. Make sure that the receptacle end of the extension cord has large and small blade slot widths. If the plug does not fit fully into extension cord, reverse the plug. If it still does not fit, obtain a suitable extension cord. If the extension cord does not fit fully into the outlet, contact a qualified electrician to install the proper outlet. Do not change the plug on the tool or the extension cord in any way.

10. Do not operate the dethatcher / scarifier on a slope that is too steep for safe operation. When on slopes, slow down and make sure you have stable footing.

11. Before starting the dethatcher / scarifier make sure the tines are not touching any object and are free to move.


12. Grip the guide bar firmly with both hands. Never operate the dethatcher / scarifier with one hand.


13. STAY ALERT - Watch what you are doing. Use common sense. Do not operate the dethatcher / scarifier when you are tired or under the influence of drugs, alcohol, or medication


14. If the dethatcher / scarifier strikes a foreign body, turn it off immediately, wait for the tines to stop, and check for damage. If necessary, repair before restarting.

15. If the dethatcher / scarifier starts to vibrate abnormally, turn it off immediately and check for the cause. Excessive vibration is generally a sign of a malfunction or damaged part.


16. Before carrying out any maintenance or repairs, always turn off the dethatcher / scarifier, disconnect from the power supply, and wait until the tines come to a complete stop before carrying out any maintenance or repairs.

 **CAUTION!** The dethatcher / scarifier may bounce upward or jump forward if the tines strike extremely hard packed soil, frozen ground, or buried obstacles such as large stones, roots or stumps.

 **WARNING!** Do not operate the dethatcher / scarifier near underground electrical cables, telephone lines, pipes or hoses.


 **DANGER! RISK OF CUT** - Wear gloves and use caution when cleaning or performing maintenance on the dethatcher / scarifier.


DETHATCHER AND SCARIFIER SAFETY WARNINGS


 **WARNING!** Do not operate the power tool until you have read and understood the following instructions and the warning labels.


17. WATCH FOR CORD - Be aware of the extension cord while using the dethatcher / scarifier. Make sure not to trip over the cord and keep it out of the path of the machine. Always guide the cord away from the tool during operation.

18. KEEP AWAY FROM WATER - Do not expose the dethatcher / scarifier to wet or rainy conditions. Never operate the dethatcher / scarifier with wet hands. Either of these can increase the risk of shock, personal injury, or tool damage.

 **CAUTION!** Tines do not stop immediately after the dethatcher / scarifier is turned off.

 **CAUTION!** The electrical cords on this product may contain chemicals known to the State of California to cause cancer and birth defects or other reproductive harm. Wash hands after handling.

 **CAUTION!** Risk of injury. Do not put hands, feet or any body part or clothing near the rotating tines.

 **WARNING!** Some dust and debris created by the use of this tool could contain chemicals known to the State of California to cause cancer and birth defects or other reproductive harm. Some examples of these chemicals are:

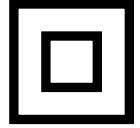
- Chemicals in fertilizers.
- Compounds in insecticides and pesticides.
- Arsenic & chromium from treated lumber

Your risk from exposure to these chemicals varies, depending on how often you do this type of work. To reduce your exposure, work in a well-ventilated area and with approved safety equipment such as dust masks that are specially designed to filter out microscopic particles.

ELECTRICAL INFORMATION

DOUBLE-INSULATED TOOLS

The tool's electrical system is double-insulated where two systems of insulation are provided. This eliminates the need for the usual three-wire grounded power cord. Double-insulated tools do not need to be grounded, nor should a means for grounding be added to the product. All exposed metal parts are isolated from the internal metal motor components with protecting insulation.



IMPORTANT: Servicing a double-insulated product requires extreme care and knowledge of the system, and should be done only by qualified service personnel using identical replacement parts. Always use original factory replacement parts when servicing.

1. Polarized Plugs. To reduce the risk of electric shock, this equipment has a polarized plug (one blade is wider than the other). This plug will fit in a polarized outlet only one way. If the plug does not fit fully in the outlet, reverse the plug. If it still does not fit, contact a qualified electrician to install a proper outlet. Do not modify the machine plug or the extension cord in any way.

2. Ground fault circuit interrupter protection (GFCI) should be provided on the circuit or outlet used for this power tool to reduce the risk of electric shock.

3. Service and repair. To avoid danger, electrical appliances must only be repaired by a qualified service technician using original replacement parts.

GUIDELINES AND RECOMMENDATIONS FOR EXTENSION CORDS

When using an extension cord, be sure to use one heavy enough to carry the current your product will draw. An undersized cord will cause a drop in line voltage, resulting in loss of power and overheating. The table below shows the correct size to be used according to cord length and ampere rating. When in doubt, use a heavier cord. The smaller the gauge number, the heavier the cord.

AMPERAGE	REQUIRED GAUGE FOR EXTENSION CORDS			
	25 ft.	50 ft.	100 ft.	150 ft.
13A	14 gauge	12 gauge	Not Recommended by UL	

1. Examine extension cord before use. Make sure your extension cord is properly wired and in good condition. Always replace a damaged extension cord or have it repaired by a qualified person before using it.

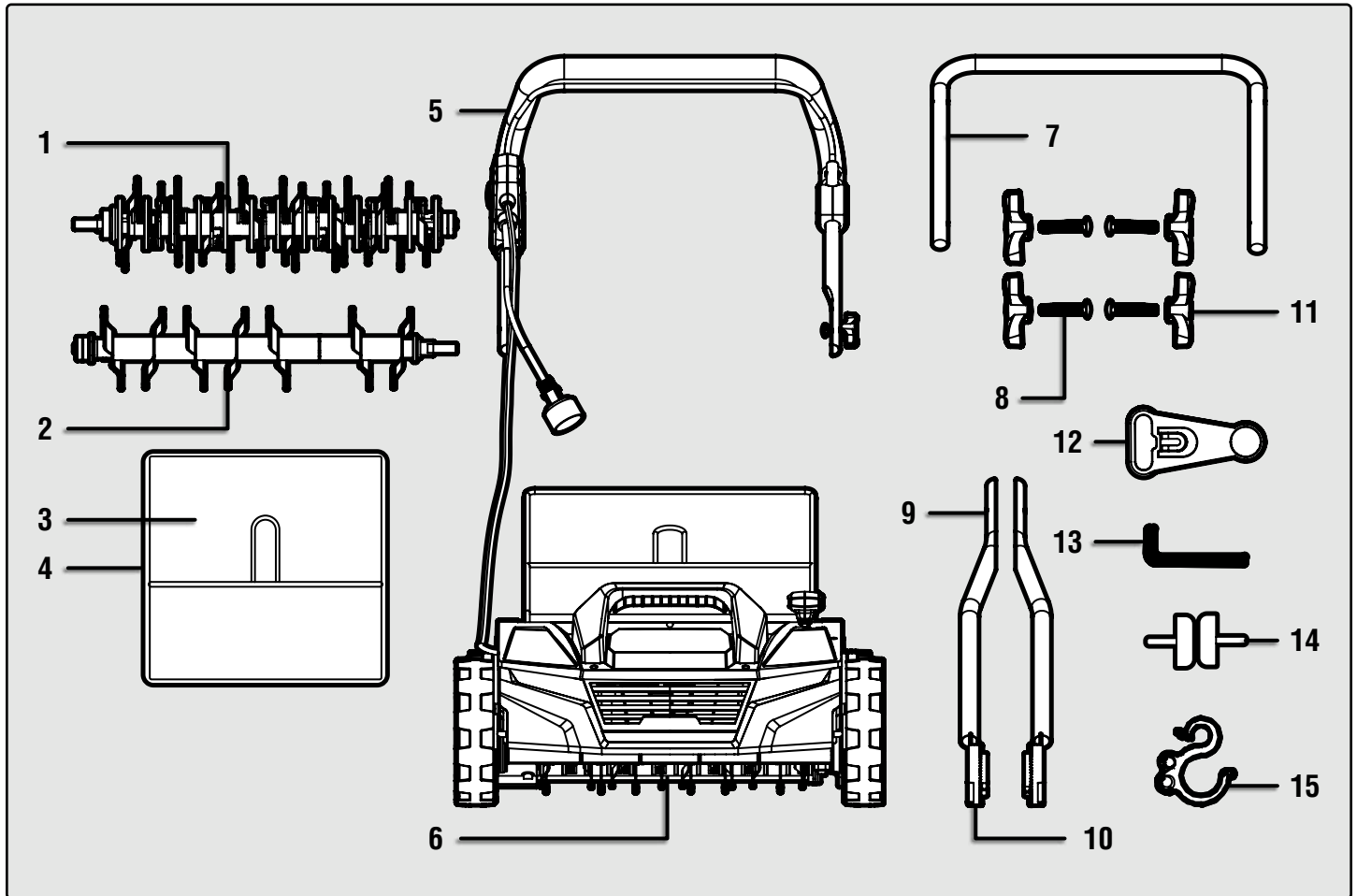
2. Do not abuse extension cord. Do not pull on cord to disconnect from receptacle; always disconnect by pulling on plug. Disconnect the extension cord from the receptacle before disconnecting the product from the extension cord. Protect your extension cords from sharp objects, excessive heat and damp/wet areas.

3. Use a separate electrical circuit for your tool. This circuit must not be less than a 12-gauge wire and should be protected with a 15A time-delayed fuse. Before connecting the motor to the power line, make sure the switch is in the OFF position and the electric current is rated the same as the current stamped on the motor nameplate. Running at a lower voltage will damage the motor.

UNPACKING & PACKING LIST

UNPACKING

With the help of a friend or trustworthy foe, such as one of your in-laws, carefully remove the Dethatcher and Scarifier from the packaging and place it on a sturdy, flat surface. Make sure to take out all contents and accessories. Do not discard the packaging until everything is removed. Check the packing list below to make sure you have all of the parts and accessories. If any part is missing or broken, please contact customer service at **1-847-429-9263** (M-F 8-5 CST), or email techsupport@wenproducts.com.



- 1. Dethatcher Blade (1)
- 2. Scarifier Blade (1)
- 3. Thatch Bag (1)
- 4. Thatch Bag Rack (1)
- 5. Upper Handle (1)

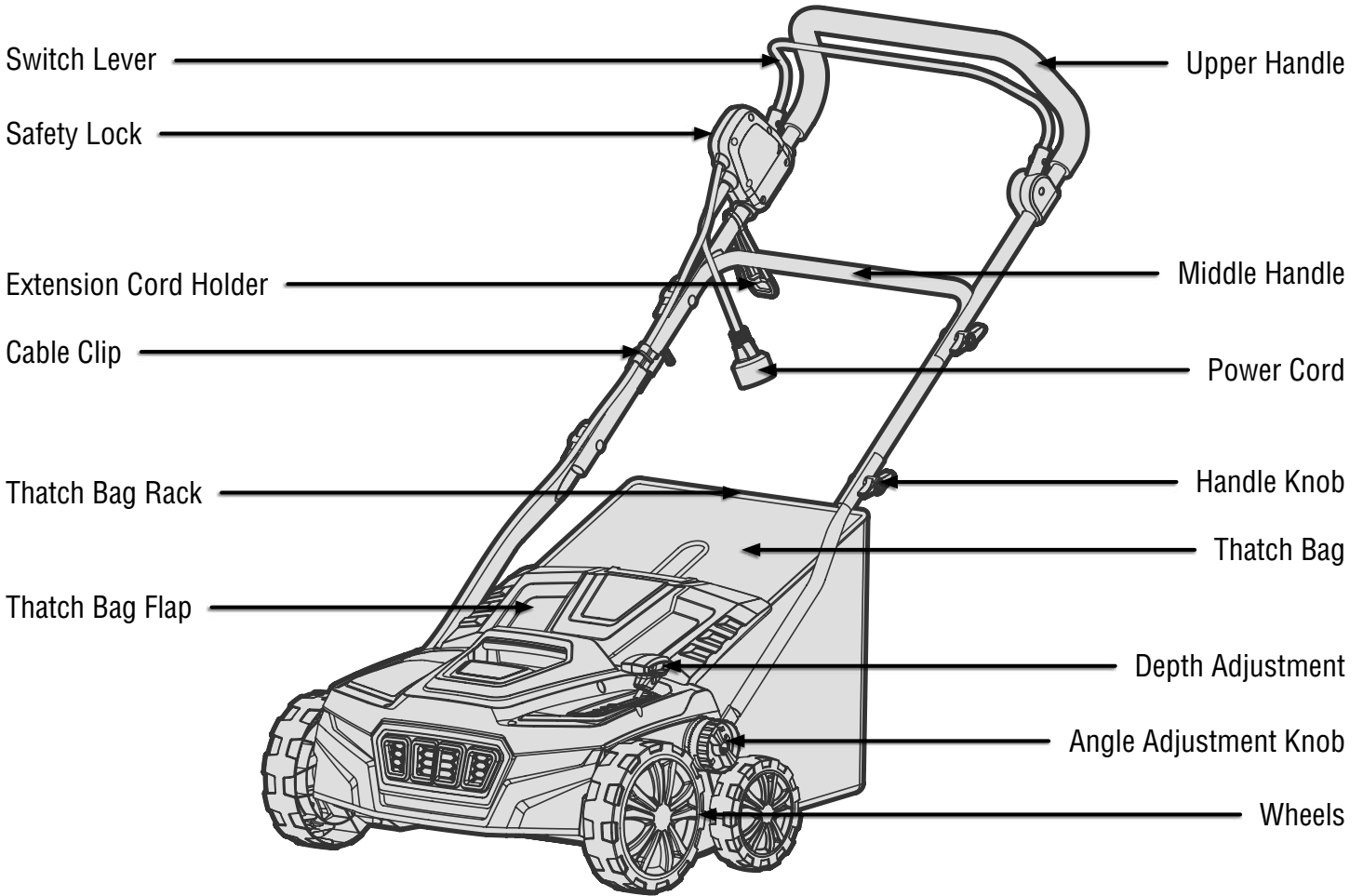
- 6. Dethatcher / Scarifier Body (1)
- 7. Middle Handle (1)
- 8. Bolt (4)
- 9. Lower Handle (2)
- 10. Fixed Knob (2)

- 11. Handle Knobs (4)
- 12. Extension Cord Holder (1)
- 13. Hex Wrench (1)
- 14. Angle Knob (2)
- 15. Cable Clip (2)

KNOW YOUR DETHATCHER AND SCARIFIER

TOOL'S PURPOSE

Pick up debris from your lawn for better oxygen absorption, airing, and drainage with your WEN Dethatcher and Scarifier. Despite its name, a scarifier has nothing to do with Halloween; please do not attempt to scare any neighborhood children with it. Better yet, children should be kept far away while operating. Refer to the following diagram to become familiarized with all the parts and controls of your Dethatcher and Scarifier. The components will be referred to later in the manual for assembly and operation instructions.

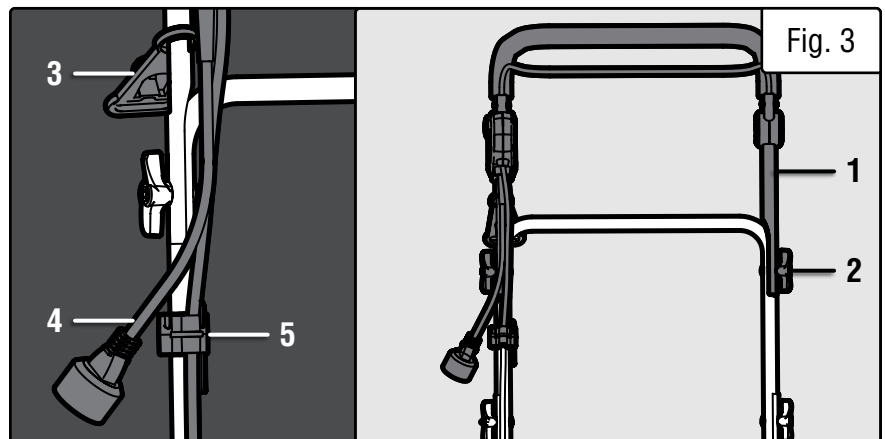
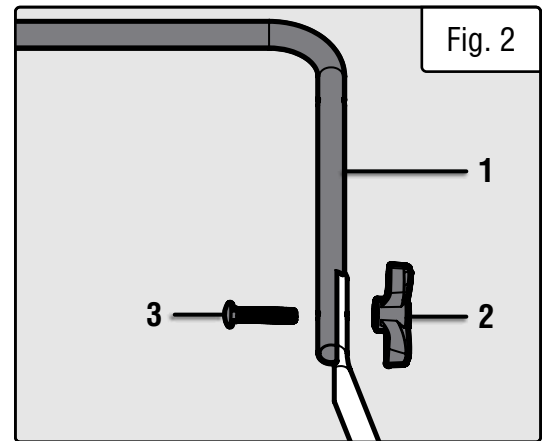
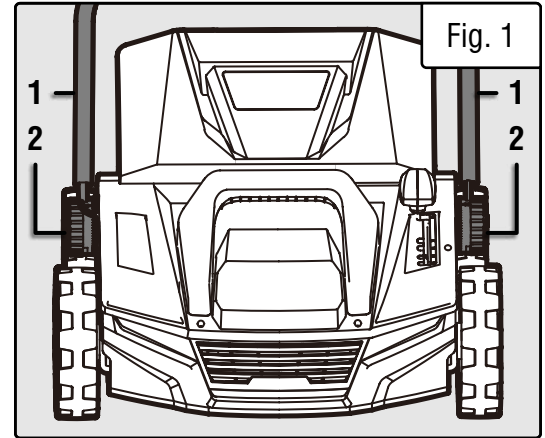


ASSEMBLY & ADJUSTMENTS

⚠ WARNING! Make sure that the machine is OFF and disconnected from the power source before assembling or making any adjustments.

ASSEMBLING THE HANDLE

1. Assemble the lower handles (Fig. 1 - 1) onto the dethatcher / scarifier body as shown in Fig. 1. **NOTE:** There are three installation heights.
2. Assemble the handle angle adjustment knobs (Fig. 1 - 2) at the base of each lower handle. Turn the angle adjustment knobs clockwise to tighten the handles and counterclockwise to loosen the handles. **NOTE:** Make sure that the lower handles are secure with the angle adjustment knobs before operation.
3. Install the middle handle (Fig. 2 - 1) onto the two lower handles using two handle knobs (Fig. 2 - 2) and two bolts (Fig. 2 - 3), one on either side. **NOTE:** Make sure that the middle handle is installed on the inside of the lower handles.
4. Install the upper handle (Fig. 3 - 1) onto the middle handle using two handle knobs (Fig. 3 - 2) and two bolts, one on either side. **NOTE:** Make sure that the upper handle is installed on the outside of the middle handle and that the extension cord holder (Fig. 3 - 3) is on the same side as the safety lock.
5. Slip the power cord (Fig. 3 - 4) through the cable clips (Fig. 3 - 5) and secure the cable clips to the upper handle on the same side as the extensions cord holder and safety lock.



ASSEMBLY & ADJUSTMENTS

INSTALLING THE THATCH BAG

⚠ WARNING! The machine must be switched OFF and the cutters must come to a complete stop before attaching or emptying the thatch bag.

Attach the thatch bag to the dethatcher / scarifier before beginning operation.

1. Lift up the thatch bag cover and secure the thatch bag to the dethatcher / scarifier using the mounting hooks located on the back of the body, under the cover.
2. Use the clips on either side of the thatch bag to clip onto the frame of the thatch bag rack.

NOTE: Empty the thatch bag frequently and do not wait until it is completely full.

To remove the thatch bag for emptying:

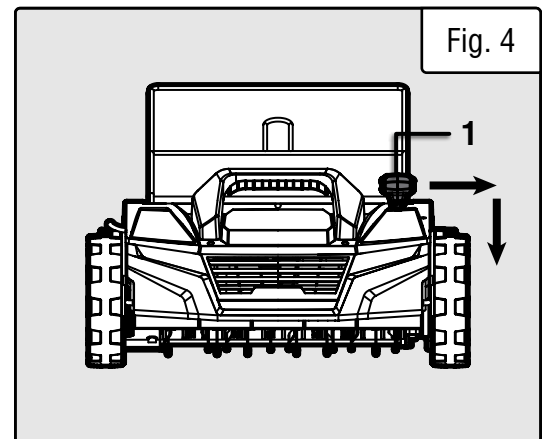
1. Lift the thatch bag cover and remove the thatch bag from the mounting hooks.
2. Empty the thatch bag and reattach following the instructions above.

ADJUSTING THE DEPTH

⚠ WARNING! The machine must be switched OFF and removed from the power source before adjusting the tines.

To adjust the depth, move the depth adjustment lever (Fig. 4 - 1) to the right and then down the preferred gear. See the chart below for different depth settings:

NOTE: Negative depth settings indicate that the blades are digging into the ground.



Position	Setting	Application		
		Depth	Scarifying	Dethatching
1	High	1/4"	Do not use for scarifying.	Transport, removing thin thatch layers.
2	Minimal	-1/8"	Do not use for scarifying.	Dethatching healthy lawn.
3	Medium	-1/4"	Transport, storage, and scarifying.	Storage and dethatching.
4	Deep	-3/8"	Use for scarifying.	Not recommended for dethatching.
5	Deep	-1/2"	Use for scarifying.	Do not use for dethatching.

OPERATION

CONNECTING TO POWER SUPPLY

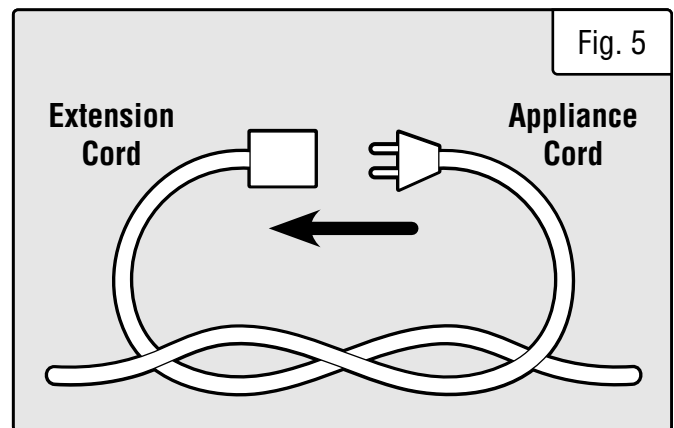
NOTE: For safety reasons, this product is equipped with a short power cord. Do not connect the dethatcher / scarifier directly to a power supply using the power cord. A proper extension cord is required for operation. Observe the technical requirements for this product when purchasing an extension cord.

⚠ WARNING! For your safety, it is required that the extension cord be rated for outdoor use, with all sockets protected against water splash. Always use a residual-current device (RCD) or residual-current circuit breaker (RCCB) protected power supply.

⚠ WARNING! Check the voltage to ensure it complies with the information on the rating label.

CONNECTING THE EXTENSION CORD

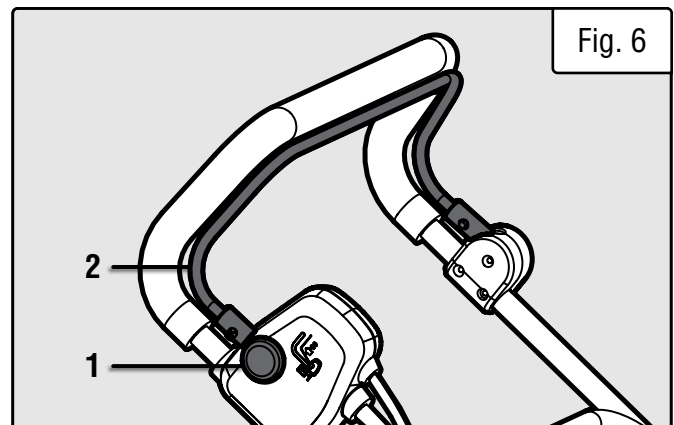
1. Make sure that the power is OFF.
2. Select the correct extension cord using the chart in the ELECTRICAL INFORMATION section of the manual.
3. Pass the pronged end of the extension cord through the extension cord holder.
4. Make a knot with the power and extension cords. Secure the connection (Fig. 5).



POWERING ON & OFF

⚠ WARNING! Before powering ON the machine, make sure that it will not come in contact with any foreign objects during start up. Keep your hands and feet away from the rotating tines / blades.

1. To power ON the dethatcher / scarifier, press the safety lock button (Fig. 6 - 1) on the side of the upper handle with one hand. At the same time, pull the switch handle (Fig. 6 - 2) towards the upper handle with your other hand. The safety lock and the switch handle must be engaged at the same time for the machine to power ON.



2. Release the safety lock button and use both hands to hold the switch handle and upper handle.

To power OFF the dethatcher / scarifier:

1. Gently release the switch handle and let the tines / blades come to a complete stop.

⚠ WARNING! The tine cylinders continue to run after releasing the switch handle. DO NOT tilt or carry the unit while the tines are still in motion. Do not touch the cylinder until it has come to a complete stop.

OPERATION

OVERLOAD PROTECTION

Your machine is equipped with overload protection and will activate in the following circumstances:

- a. If there is a build-up of scarified materials around the cutting device.
- b. If the scarified materials are larger than the motor capacity.
- c. If there is too much resistance against the cutting device.

If the circuit breaker has been activated, switch the machine OFF and remove from the power source. Let the dethatcher / scarifier cool down while determining the issue. Remove build-up or large materials before continuing operation.

GENERAL OPERATION

1. Double check that the accessories are secure before beginning operation.

2. Mark any sprinkler heads, lights, or other landscaping fixtures before beginning. Remove any hoses or other obstacles from the lawn.

3. Push the machine forward by its handle.

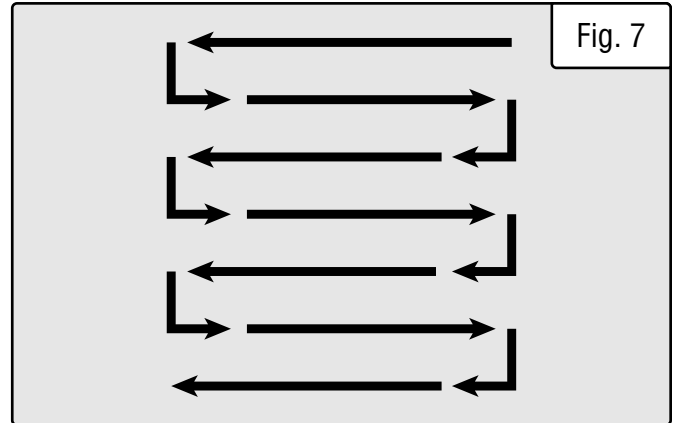
4. Make sure that all air vents are kept clean and unobstructed. Blocked air vents can lead to overheating.

5. Make sure the lawn is clear of stones, sticks, wire, or other objects that could damage the machine.

6. Do not work on a wet lawn.

7. Slowly push the machine forward. Move the machine at an appropriate speed. Do not push the machine too hard. This can cause overload or blockage of discharge.

8. Work in slight overlapping rows. The most effective pattern for scarifying / raking lawns is straight lines along one of the sides. This will keep the rows even and ensure that no areas are missed (Fig. 7).



SCARIFYING

Scarifying is more intense than dethatching. The blades reach down deep to remove moss, fungus, thatch, and other unwanted buildup from your lawn, while leaving the grass intact. At the same time, it scarifies (cuts grooves into) the ground, resulting in better drainage aeration for your lawn and, overall, better growth. Increase the depth setting in spring (April - May). The lawn is actively growing and will recover much better during this season. If the summer is wet, scarify again in late summer or early fall, using a decreased depth setting. Do not scarify during periods of hot, dry weather. If the summer is very dry, do not scarify again in fall.

RAKING / DETHATCHING

Dethatching is less intense than scarifying, and does just what it sounds like - the steel tines reach down to pick up thatch and other light debris, resulting in better aeration and drainage. When to dethatch varies; if your lawn is prone to thatch buildup (especially if you use a mulch setting on your lawn mower, or have certain species of grass), you'll need to dethatch more often. Choose a time when the grass is actively growing, and the soil has some moisture. In the northern half of the US, this will usually be in the early spring or early fall. For the southern half of the US, this will usually be in late spring through early summer.

MAINTENANCE

ROUTINE INSPECTION

Before each use, inspect the tool. If any of these following conditions exist, do not use until parts are replaced.


Check for:

- Loose hardware or improper mounting
- Misalignment
- Cracked or broken parts
- Any other condition that may affect its safe operation

Once per season, lubricate the tines / blades and shaft. At the end of the season, check the dethatcher / scarifier for damage prior to storing. Repair or replace damaged or broken parts.

CLEANING

 **CAUTION!** Always clean the dethatcher / scarifier after each use. Failure to carry out proper cleaning can result in damage to the dethatcher / scarifier or result in poor performance.

 **CAUTION!** Never use a water hose to clean the dethatcher / scarifier.

Clean the underside of the tine guard and motor housing around the tines using a scrubbing brush and a soft cloth dampened with a mild soap and water mixture.

To remove soil and debris from the transmission and tines, use a stiff brush or a dampened cloth.

Clean the vents on the motor housing and remove any remaining grass or dirt.

Once cleaned, wipe the tines and shaft dry and apply a light coat of oil to prevent rust.

REPLACING / CHANGING THE BLADE

⚠ WARNING! Make sure that the machine is OFF and disconnected from the power source before removing or replacing the cutting devices.

⚠ WARNING! The tines are very sharp and become hot during use. Handle with care when removing or replacing. Wear safety gloves when handling the tines to avoid burns and / or cuts.

The dethatcher / scarifier comes with two lawn blades with two different functions. The scarifier blade (Fig. 8 - 1) comes pre-assembled on the machine. The dethatching / raking blade (Fig. 8 - 2) is included inside the box and can be changed out according to your application.

To remove the scarifier or dethatcher blade:

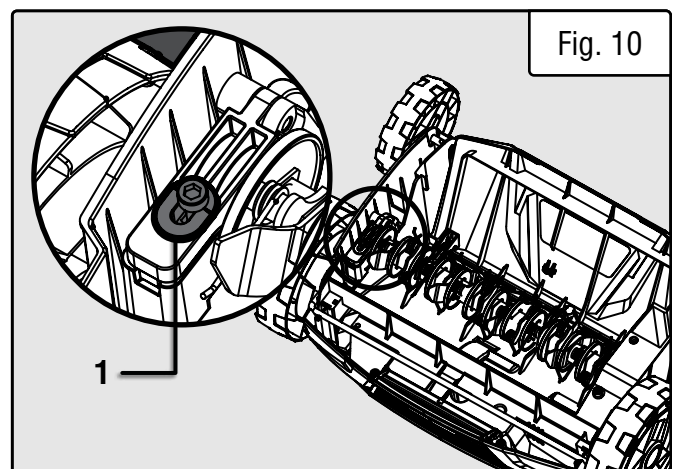
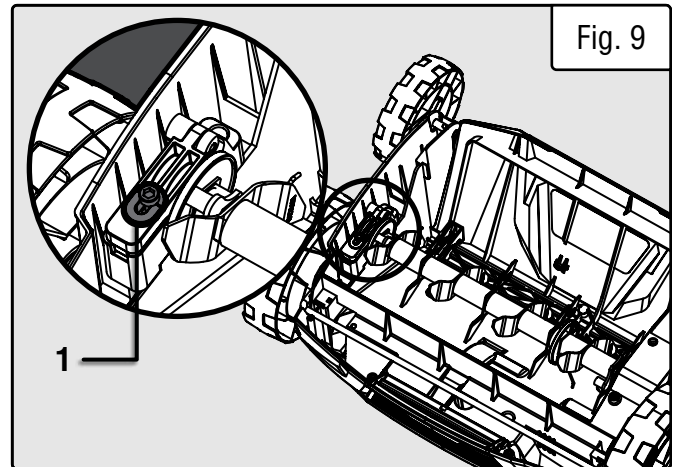
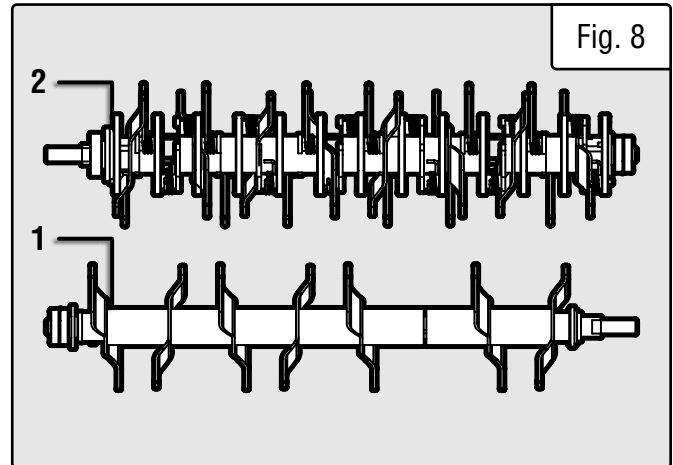
1. Unscrew the inner hex socket screw (Fig. 9 - 1) on the blade bracket.

2. Carefully remove the blade. When removing the dethatcher blade, wear safety gloves and take care not to scrape yourself on the sharp tines. Note that both blades may get hot during operation.

To install the scarifier or dethatcher blade:

1. Align the square end of the blade shaft with the square hole of the output gear.

2. Press the bearing on the blade into the blade bracket slot. Secure the blade in place by closing the blade bracket and installing the hex socket screw (Fig. 10 - 1).



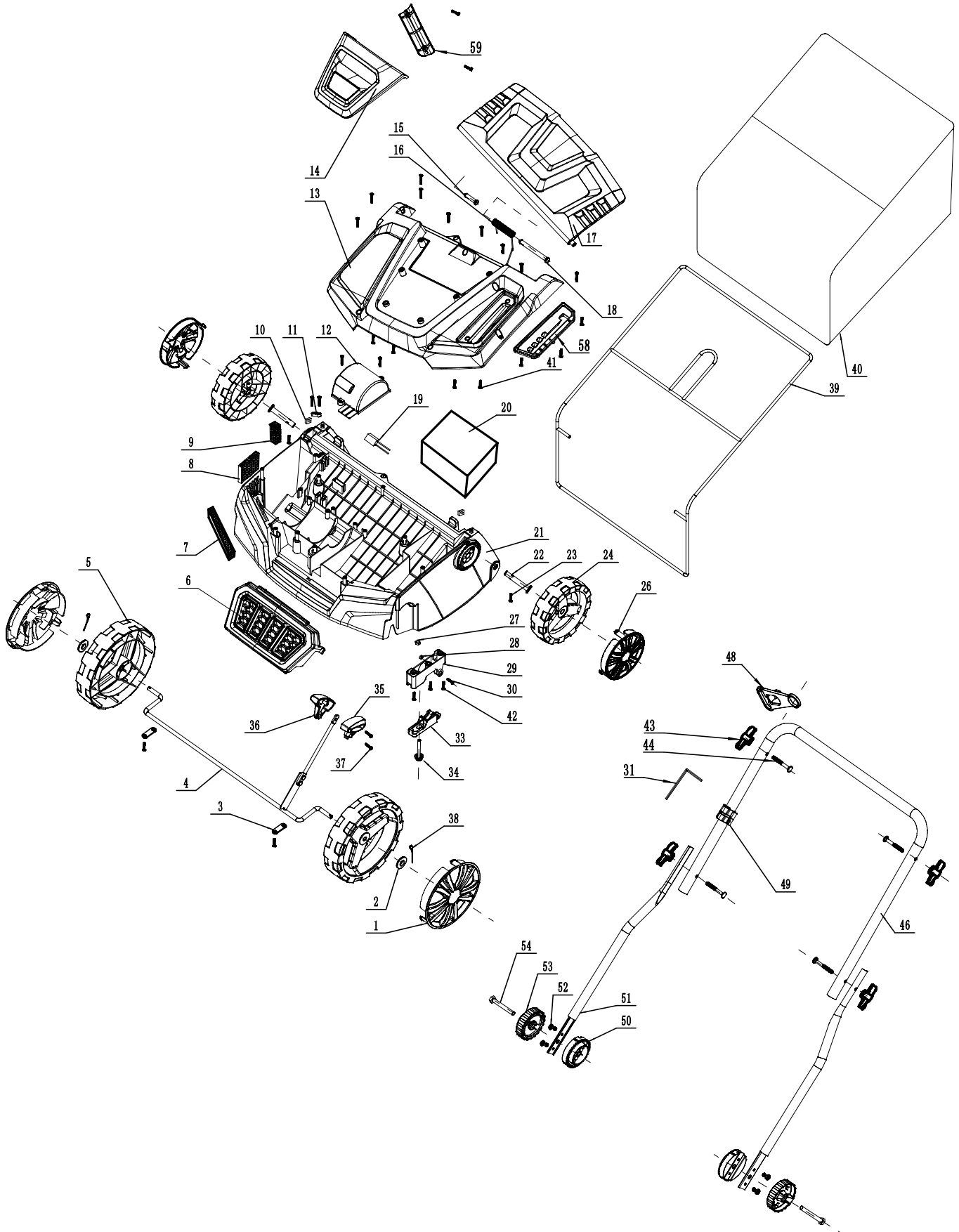
TROUBLESHOOTING GUIDE

⚠ WARNING! Stop using the dethatcher / scarifier immediately if any of the following problems occur or risk serious personal injury. If you have any questions, please contact customer service at **1-847-429-9263** (M-F 8-5 CST), or email **techsupport@wenproducts.com**.

Problem	Possible Cause	Solution
Motor Does Not Start.	1. Not connected to a power source.	1. Connect to a power source.
	2. Power cord or plug is defective.	2. Contact customer service at 1-847-429-9263 .
	3. Other electrical defect to the machine.	3. Contact customer service at 1-847-429-9263 .
	4. Safety lock button is not pressed.	4. Press the safety lock button and the switch lever at the same time for start up.
Product Does Not Reach Full Power.	1. Extension cord is not suitable for operation with this machine.	1. Use the proper extension cord. Use chart on page 6.
	2. Power source has low voltage.	2. Connect to a different power source.
	3. Air vents are blocked	3. Clean the air vents.
Unsatisfying Result.	1. Cutting device is worn down.	1. Replace the tine cylinder.
	2. Scarified material exceeds the machine's capacity.	2. Only scarify materials according to the capacity of this machine.
	3. Scarifying depth is incorrect.	Adjust the depth for your specific operation.

EXPLODED VIEW & PARTS LIST

BODY ASSEMBLY



EXPLODED VIEW & PARTS LIST

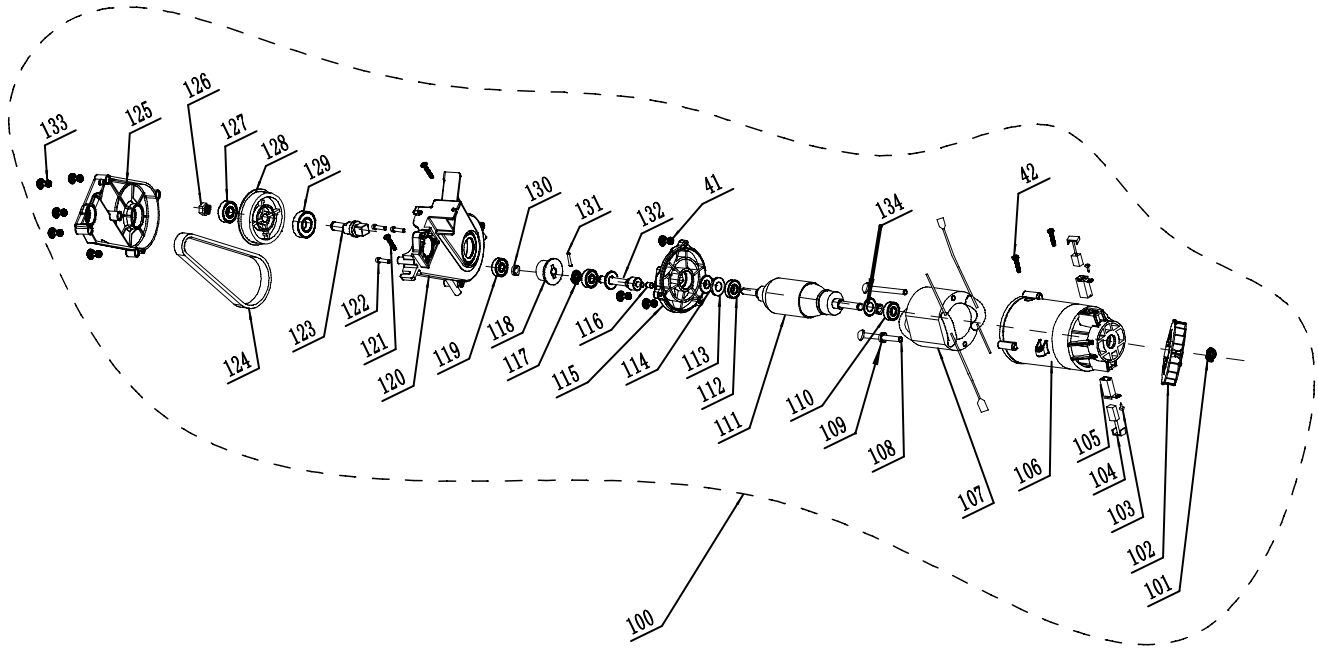
BODY ASSEMBLY

NO.	PART NO.	DESCRIPTION	QTY.	NO.	PART NO.	DESCRIPTION	QTY.
1	DT1315-001	Front Hub Cap	2	29	DT1315-029	Blade Bearing Bracket	1
2	DT1315-002	Front Wheel Washer	2	30	DT1315-030	Screw M5x25	1
3	DT1315-003	Front Axle Plate	2	31	DT1315-031	Hex Wrench	1
4	DT1315-004	Front Axle	1	33	DT1315-033	Blade Bracket Arm	1
5	DT1315-005	Front Wheel	2	34	DT1315-034	Screw M6x30	1
6	DT1315-006	Front Grill	1	35	DT1315-035	Right Depth Adjust Handle	1
7	DT1315-007	Air Filter #2	1	36	DT1315-036	Left Depth Adjust Handle	1
8	DT1315-008	Air Filter #1	1	37	DT1315-037	Handle Screw	15
9	DT1315-009	Air Filter #3	1	38	DT1315-038	Front Wheel Pin	2
10	DT1315-010	Nut M8	2	39	DT1315-039	Grass Bag Frame	1
11	DT1315-011	Press Plate	1	40	DT1315-040	Grass Bag	1
12	DT1315-012	Motor Fan Housing	1	41	DT1315-041	Housing Screw	21
13	DT1315-013	Top Housing Cover	1	42	DT1315-042	Bracket Screw	3
14	DT1315-014	Top Handle	1	43	DT1315-043	Handle Frame Knob	4
15	DT1315-015	Grass Flap Pin	1	44	DT1315-044	Handle Frame Bolt	4
16	DT1315-016	Grass Flap Spring	1	46	DT1315-046	Middle Handle Frame	1
17	DT1315-017	Grass Flap	1	48	DT1315-048	Power Cord Clip	1
18	DT1315-018	Flap Spring Pin	1	49	DT1315-049B	Hex Wrench Clip	2
19	DT1315-019	Fuse	1	50	DT1315-050	Lower Handle Bracket	2
20	DT1315-020	Counterbalance	1	51	DT1315-051	Lower Handle Rod	2
21	DT1315-021	Base Housing	1	52	DT1315-052	Lower Bracket Screw	4
22	DT1315-022	Rear Wheel Axle Pin	2	53	DT1315-053	Handle Height Adjust Knob	2
23	DT1315-023	Screw	2	54	DT1315-054	Screw M8x50	2
24	DT1315-024	Rear Wheel	2	58	DT1315-058	Depth Adjustment Plate	1
26	DT1315-026	Rear Hub Cap	2	59	DT1315-059	Handle Bracket	1
27	DT1315-027	Nut M6	1				
28	DT1315-028	Nut M5	1				

NOTE: Not all parts may be available for purchase. Parts and accessories that wear down over the course of normal use are not covered under the warranty.

EXPLODED VIEW & PARTS LIST

MOTOR ASSEMBLY



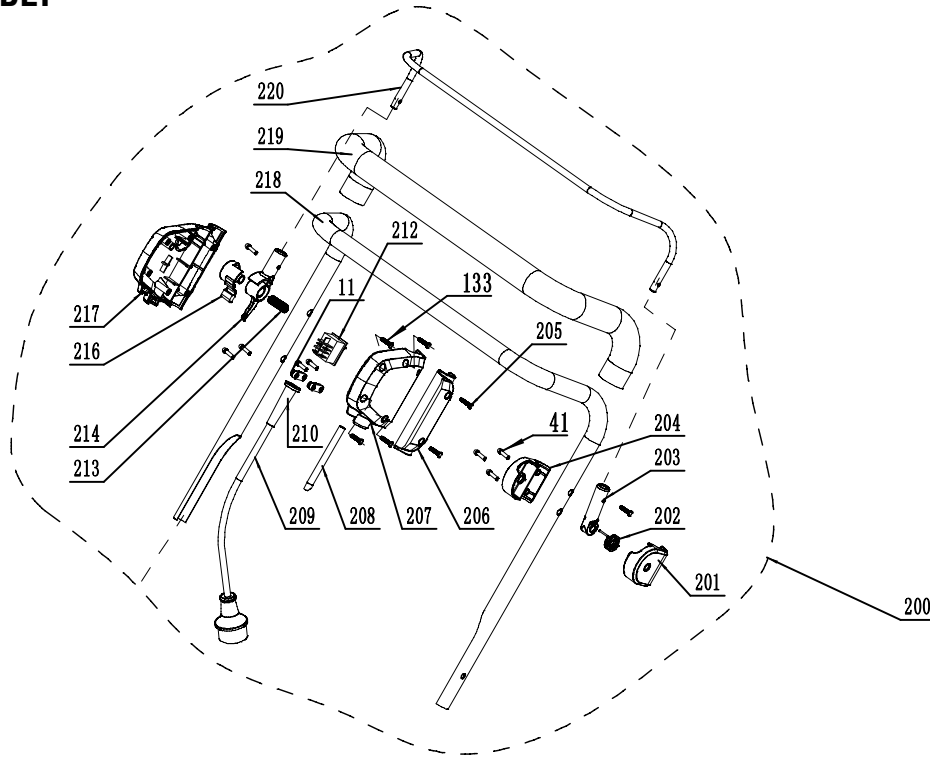
NO.	PART NO.	DESCRIPTION	QTY.
100	DT1315-100	Motor Assembly	1
101	DT1315-101	Washer	1
102	DT1315-102	Motor Fan	1
103	DT1315-103	Motor Screw	2
104	DT1315-104	Carbon Brush	2
105	DT1315-105	Carbon Brush Holder	2
106	DT1315-106	Motor Housing	1
107	DT1315-107	Stator Assembly	1
108	DT1315-108	Stator Screws	2
109	DT1315-109	Stator Washer	2
110	DT1315-110	Motor Bearing	2
111	DT1315-111	Rotor Assembly	1
112	DT1315-112	Stator Bearing	2
113	DT1315-113	Motor Gasket	2
114	DT1315-114	Felt Gasket	1
115	DT1315-115	Motor End Cover	1
116	DT1315-116	Shaft Bearing	1
117	DT1315-117	Circlip	1

NO.	PART NO.	DESCRIPTION	QTY.
118	DT1315-118	Shaft Wheel	1
120	DT1315-120	Pulley Housing	1
121	DT1315-121	Self-Tapping Screw	2
122	DT1315-122	Screw M4x20	3
123	DT1315-123	Drive Belt Pulley	1
124	DT1315-124	Drive Belt, EPJ350	1
125	DT1315-125	Drive Belt Housing	1
126	DT1315-126	Nut M8	1
127	DT1315-127	Bearing	1
128	DT1315-128	Wheel	1
129	DT1315-129	Pulley Bearing	1
130	DT1315-130	Shaft Washer	2
131	DT1315-131	Set Pin	1
132	DT1315-132	Drive Shaft	1
133	DT1315-133	Belt Housing Screw	5
41	DT1315-041	Housing Screw	3
42	DT1315-042	Bracket Screw	2

NOTE: Not all parts may be available for purchase. Parts and accessories that wear down over the course of normal use are not covered under the warranty.

EXPLODED VIEW & PARTS LIST

HANDLE ASSEMBLY

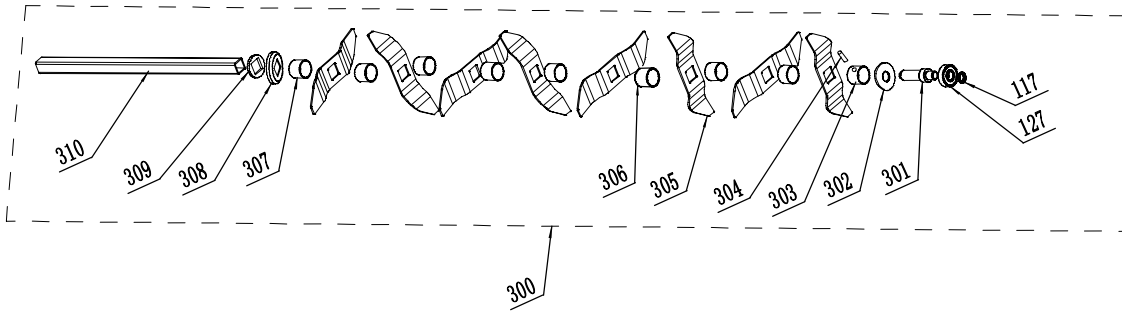


NO.	PART NO.	DESCRIPTION	QTY.	NO.	PART NO.	DESCRIPTION	QTY.
200	DT1315-200	Upper Handle Assembly	1	210	DT1315-210	Cord Strain Relief	1
201	DT1315-201	Trigger Handle Outside Bracket	1	212	DT1315-212	Power Switch	1
202	DT1315-202	Trigger Spring	1	213	DT1315-213	Power Button Spring	1
203	DT1315-203	Right Trigger Handle Arm	1	214	DT1315-214	Trigger Handle Switch	1
204	DT1315-204	Trigger Handle Inside Bracket	1	216	DT1315-216	Power Switch Button	1
205	DT1315-205	Switch Housing Screw	2	217	DT1315-217	Power Switch Housing	1
206	DT1315-206	Switch Handle Bracket	1	218	DT1315-218	Upper Handle Tube	1
207	DT1315-207	Rear Switch Housing	1	219	DT1315-219	Upper Handle Grip	1
208	DT1315-208	Switch Wire	1	220	DT1315-220	Trigger Handle	1
209	DT1315-209	Power Plug	1	41	DT1315-041	Housing Screw	3
				11	DT1315-011	Press Plate	2
				133	DT1315-133	Belt Housing Screw	10

NOTE: Not all parts may be available for purchase. Parts and accessories that wear down over the course of normal use are not covered under the warranty.

EXPLODED VIEW & PARTS LIST

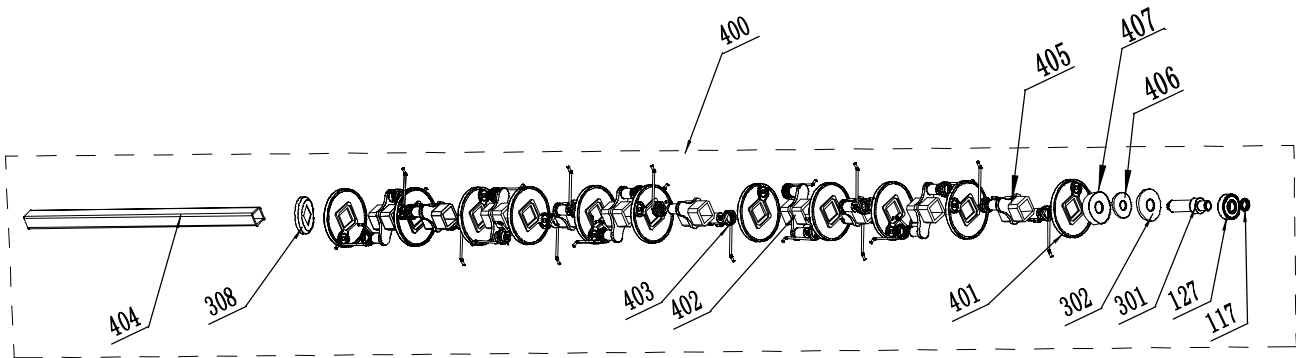
SCARIFIER BLADE ASSEMBLY



NO.	PART NO.	DESCRIPTION	QTY.
300	DT1315-300	Scarifier Blade Assembly	1
301	DT1315-301	Bearing Shaft	1
302	DT1315-302	Bearing Shaft Washer	1
303	DT1315-303	Bearing Shaft Collar	1
304	DT1315-304	Set Pin	1
305	DT1315-305	Scarifier Blade	8
306	DT1315-306	Plastic Shaft Collar	7

NO.	PART NO.	DESCRIPTION	QTY.
307	DT1315-307	Shaft Collar	1
308	DT1315-308	End Cap	1
309	DT1315-309	Blade Rod Washer	1
310	DT1315-310	Blade Rod	1
117	DT1315-117	Circlip	1
127	DT1315-127	Bearing	1

DETHATCHER BLADE ASSEMBLY



NO.	PART NO.	DESCRIPTION	QTY.
400	DT1315-400	Dethatcher Blade Assembly	1
401	DT1315-401	Blade Rod Divider	13
402	DT1315-402	Scraper Tine Mount	11
403	DT1315-403	Scraper Tine	24
404	DT1315-404	Blade Rod	1
405	DT1315-405	End Scraper Tine Mount	1

NO.	PART NO.	DESCRIPTION	QTY.
406	DT1315-406	Washer	1
407	DT1315-407	Steel Washer	1
117	DT1315-117	Circlip	1
127	DT1315-127	Bearing	1
301	DT1315-301	Bearing Shaft	1
302	DT1315-302	Bearing Shaft Washer	1
308	DT1315-308	End Cap	1

NOTE: Not all parts may be available for purchase. Parts and accessories that wear down over the course of normal use are not covered under the warranty.

WARRANTY STATEMENT

WEN Products is committed to building tools that are dependable for years. Our warranties are consistent with this commitment and our dedication to quality.

LIMITED WARRANTY OF WEN PRODUCTS FOR HOME USE

GREAT LAKES TECHNOLOGIES, LLC (“Seller”) warrants to the original purchaser only, that all WEN consumer power tools will be free from defects in material or workmanship during personal use for a period of two (2) years from date of purchase or 500 hours of use; whichever comes first. Ninety days for all WEN products if the tool is used for professional or commercial use. Purchaser has 30 days from the date of purchase to report missing or damaged parts.

SELLER’S SOLE OBLIGATION AND YOUR EXCLUSIVE REMEDY under this Limited Warranty and, to the extent permitted by law, any warranty or condition implied by law, shall be the replacement of parts, without charge, which are defective in material or workmanship and which have not been subjected to misuse, alteration, careless handling, misrepair, abuse, neglect, normal wear and tear, improper maintenance, or other conditions adversely affecting the Product or the component of the Product, whether by accident or intentionally, by persons other than Seller. To make a claim under this Limited Warranty, you must make sure to keep a copy of your proof of purchase that clearly defines the Date of Purchase (month and year) and the Place of Purchase. Place of Purchase must be a direct vendor of Great Lakes Technologies, LLC. Purchasing through third party vendors, including but not limited to garage sales, pawn shops, resale shops, or any other secondhand merchant, voids the warranty included with this product. Contact tech-support@wenproducts.com or 1-847-429-9263 with the following information to make arrangements: your shipping address, phone number, serial number, required part numbers, and proof of purchase. Damaged or defective parts and products may need to be sent to WEN before the replacements can be shipped out.

Upon the confirmation of a WEN representative, your product may qualify for repairs and service work. When returning a product for warranty service, the shipping charges must be prepaid by the purchaser. The product must be shipped in its original container (or an equivalent), properly packed to withstand the hazards of shipment. The product must be fully insured with a copy of the proof of purchase enclosed. There must also be a description of the problem in order to help our repairs department diagnose and fix the issue. Repairs will be made and the product will be returned and shipped back to the purchaser at no charge for addresses within the contiguous United States.

THIS LIMITED WARRANTY DOES NOT APPLY TO ITEMS THAT WEAR OUT FROM REGULAR USAGE OVER TIME, INCLUDING BELTS, BRUSHES, BLADES, BATTERIES, ETC. ANY IMPLIED WARRANTIES SHALL BE LIMITED IN DURATION TO TWO (2) YEARS FROM DATE OF PURCHASE. SOME STATES IN THE U.S. AND SOME CANADIAN PROVINCES DO NOT ALLOW LIMITATIONS ON HOW LONG AN IMPLIED WARRANTY LASTS, SO THE ABOVE LIMITATION MAY NOT APPLY TO YOU.

IN NO EVENT SHALL SELLER BE LIABLE FOR ANY INCIDENTAL OR CONSEQUENTIAL DAMAGES (INCLUDING BUT NOT LIMITED TO LIABILITY FOR LOSS OF PROFITS) ARISING FROM THE SALE OR USE OF THIS PRODUCT. SOME STATES IN THE U.S. AND SOME CANADIAN PROVINCES DO NOT ALLOW THE EXCLUSION OR LIMITATION OF INCIDENTAL OR CONSEQUENTIAL DAMAGES, SO THE ABOVE LIMITATION OR EXCLUSION MAY NOT APPLY TO YOU.

THIS LIMITED WARRANTY GIVES YOU SPECIFIC LEGAL RIGHTS, AND YOU MAY ALSO HAVE OTHER RIGHTS WHICH VARY FROM STATE TO STATE IN THE U.S., PROVINCE TO PROVINCE IN CANADA AND FROM COUNTRY TO COUNTRY.

THIS LIMITED WARRANTY APPLIES ONLY TO ITEMS SOLD WITHIN THE UNITED STATES OF AMERICA, CANADA AND THE COMMONWEALTH OF PUERTO RICO. FOR WARRANTY COVERAGE WITHIN OTHER COUNTRIES, CONTACT THE WEN CUSTOMER SUPPORT LINE. FOR WARRANTY PARTS OR PRODUCTS REPAIRED UNDER WARRANTY SHIPPING TO ADDRESSES OUTSIDE OF THE CONTIGUOUS UNITED STATES, ADDITIONAL SHIPPING CHARGES MAY APPLY.

**THANKS FOR
REMEMBERING**

